

## AIR CONDITIONING

# CONDENSER CORE - V6 S/C 3.0L PETROL/V8 S/C 5.0L PETROL [G1269052]

### REMOVAL AND INSTALLATION

82.15.07	CONDENSER - RENEW	3000 CC, AJ V6 (AJ126), SUPERCHARGED	2.50	USED WITHINS	+
----------	-------------------	--------------------------------------	------	--------------	---

### REMOVAL

#### NOTE:

Removal steps in this procedure may contain installation details.

1.

#### WARNING:

Make sure to support the vehicle with axle stands.

Raise and support the vehicle.

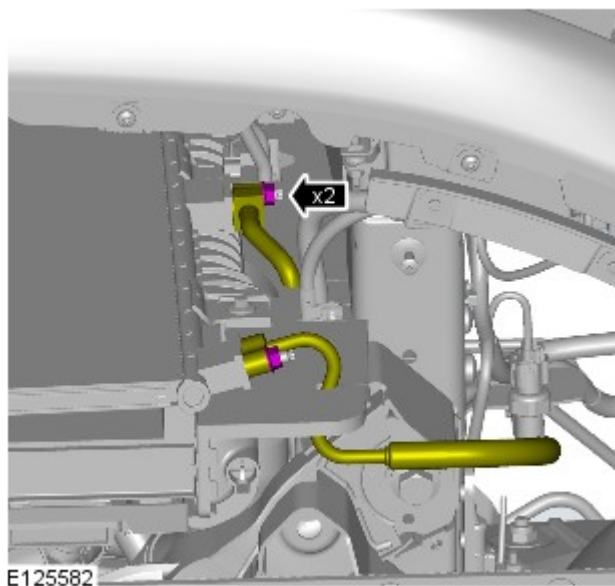
2.

Refer to: [Air Conditioning System Recovery, Evacuation and Charging](#) (412-00 Climate Control System - General Information, General Procedures).

3.

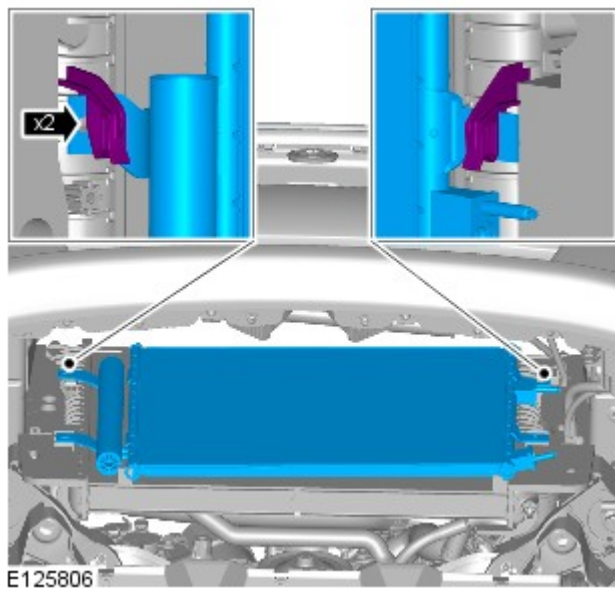
Refer to: [Radiator](#) (303-03B Supercharger Cooling - V8 S/C 5.0L Petrol, Removal and Installation).

4.



Torque: **8Nm**

5.



## INSTALLATION

1. To install, reverse the removal procedure.

Z3JpZnY4MzEzOzlwMjQ0MDFUMDk6MjYGMtUuMDEwWjpsMDQuM4zOS4xMTT0UpXSjFDRDREOPfIMjQ3NQ==