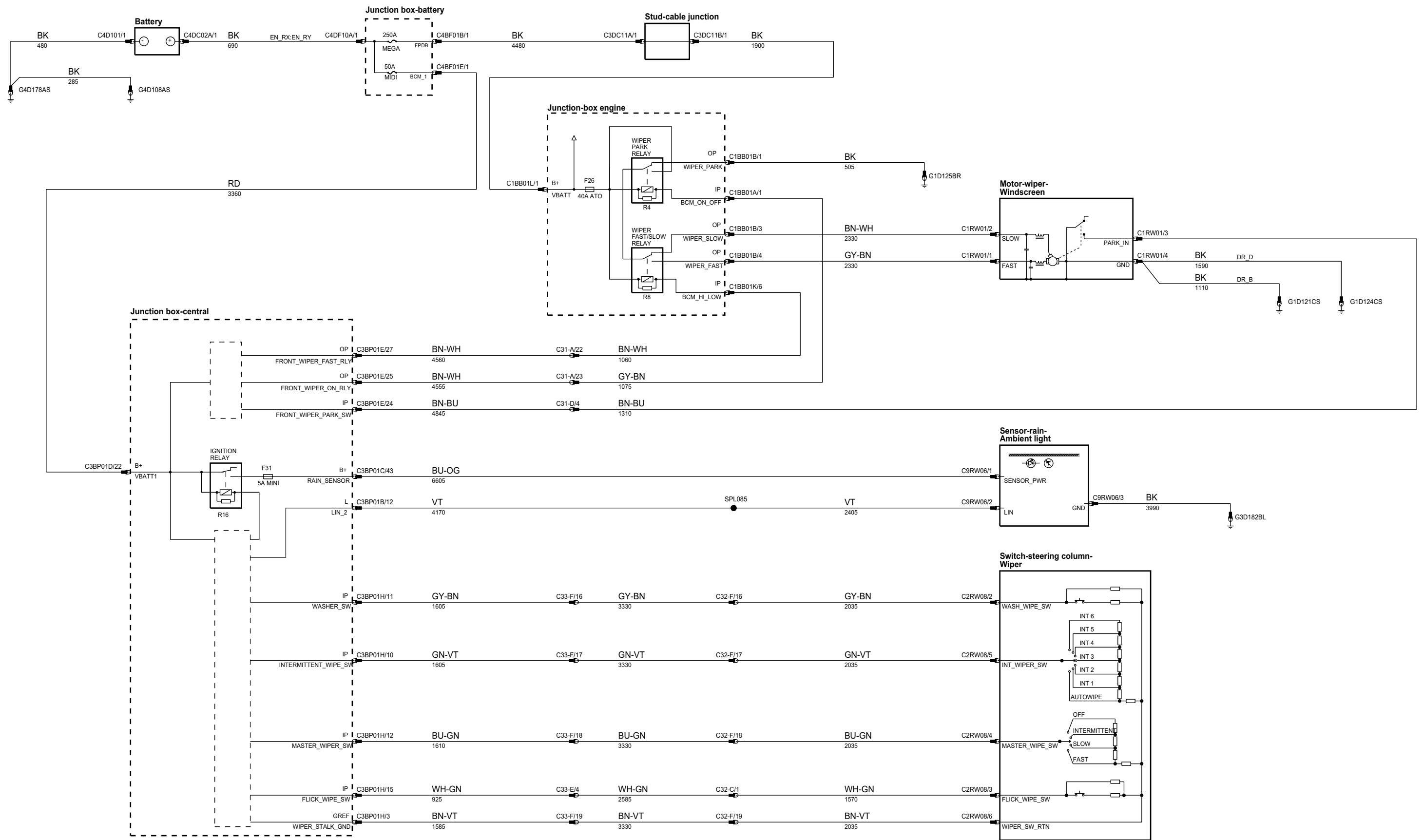


phaw93-70133-a-a6



501-16 - WIPERS AND WASHERS

phaw93-70133-b-a6

