

**Fig. 01.4****COMPONENTS**

Component	Connector(s)	Connector Description	Location		
FRONT POWER DISTRIBUTION FUSE BOX	EC4	4-WAY / BLACK	ENGINE COMPARTMENT / RH FRONT		
	EC5	4-WAY / BLACK			
	EC19	8-WAY / BLACK			
	EC22	4-WAY / BLACK			
	EC26	8-WAY / BLACK			
	EC28	12-WAY / BLACK			
	EC32	4-WAY / BLACK			
	EC35	8-WAY / BLACK			
	EC40	8-WAY / BLACK			
	EC41	10-WAY / BLACK			
	IGNITION SWITCH	IP34		7-WAY / BLACK	STEERING COLUMN
		PASSENGER (PRIMARY) JUNCTION FUSE BOX		CR6	10-WAY / BLACK
	CR47			11-WAY / BLACK	
CR48	11-WAY / BLACK				
CR49	10-WAY / BLACK				
CR56	10-WAY / BLACK				
EC7	15-WAY / BLACK				
EC55	11-WAY / BLACK				
REAR IGNITION RELAY	—	—	REAR POWER DISTRIBUTION FUSE BOX – R2		
REAR POWER DISTRIBUTION FUSE BOX	CR3	4-WAY / BLACK	TRUNK / RH REAR		
	CR5	4-WAY / BLACK			
	CR68	8-WAY / BLACK			
	CR80	4-WAY / BLACK			
	CR81	8-WAY / BLACK			
	CR82	12-WAY / BLACK			
	CR83	4-WAY / BLACK			
	CR84	8-WAY / BLACK			
	CR97	8-WAY / BLACK			
	CR98	10-WAY / BLACK			
	SLAVE IGNITION RELAY	—		—	FRONT POWER DISTRIBUTION FUSE BOX – R9

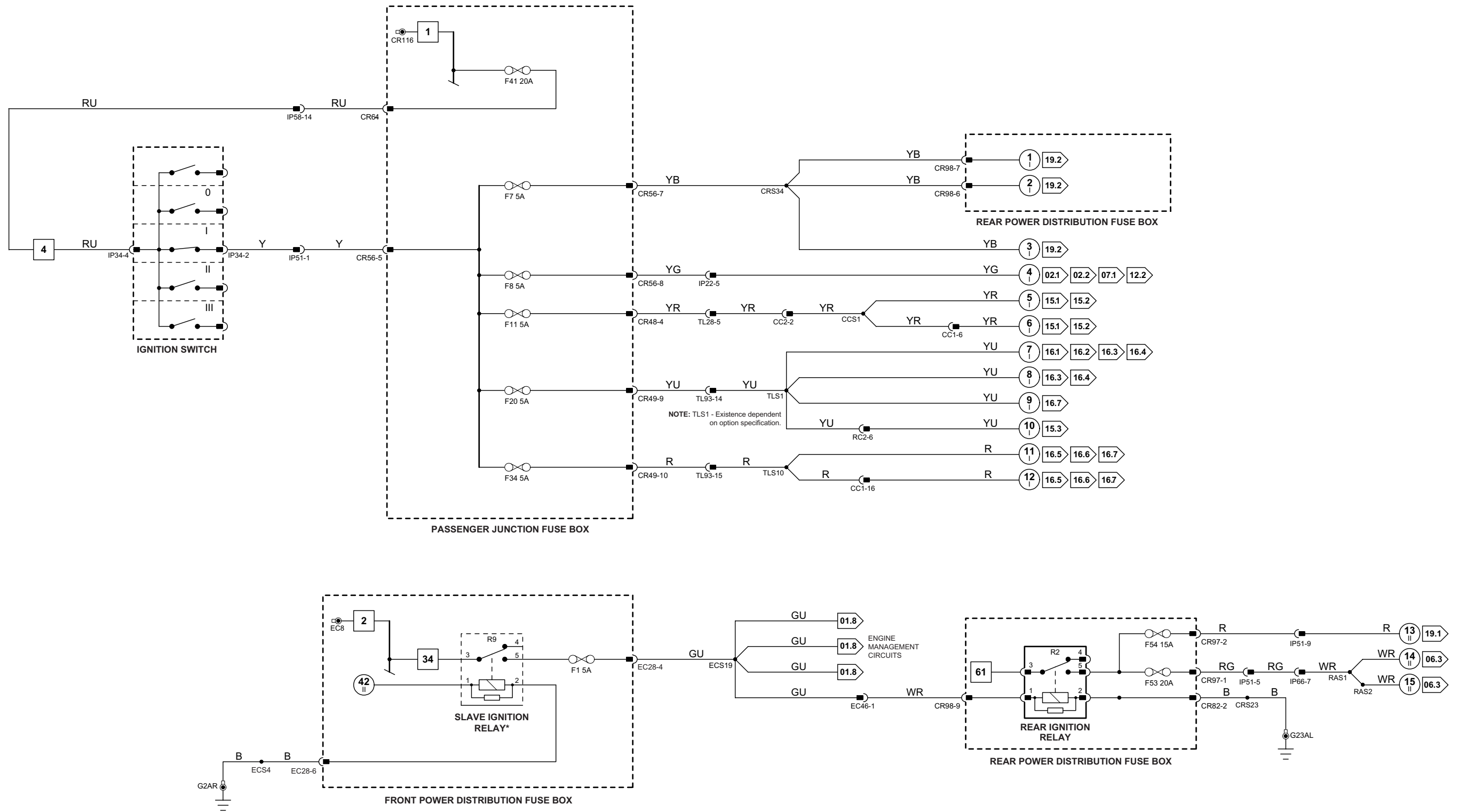
**HARNESS IN-LINE CONNECTORS**

Connector	Connector Description / Location	Location
CC1	22-WAY GREEN / TELEMATICS HARNESS TO CENTER CONSOLE HARNESS	CABIN / BELOW CENTER CONSOLE
CC2	22-WAY / BLACK / TELEMATICS HARNESS TO CENTER CONSOLE HARNESS	CABIN / BELOW CENTER CONSOLE
EC46	22-WAY / BLACK / ENGINE COMPARTMENT HARNESS TO CABIN HARNESS	CABIN / RH 'A' POST
IP22	16-WAY / BLUE / CABIN HARNESS TO INSTRUMENT PANEL HARNESS	CABIN / BEHIND INSTRUMENT PANEL END PLATE / LH SIDE (LHD), RH SIDE (RHD)
IP51	10-WAY / GREY / ENGINE COMPARTMENT HARNESS TO INSTRUMENT PANEL HARNESS	CABIN / BEHIND INSTRUMENT PANEL END PLATE / LH SIDE (LHD), RH SIDE (RHD)
IP58	14-WAY / GREY / CABIN HARNESS TO INSTRUMENT PANEL HARNESS	CABIN / BEHIND INSTRUMENT PANEL END PLATE / LH SIDE (LHD), RH SIDE (RHD)
IP66	14-WAY / GREY / INSTRUMENT PANEL HARNESS TO REAR AIR CONDITIONING HARNESS	CABIN / BELOW CENTER CONSOLE
RC2	8-WAY / BLACK / TELEMATICS HARNESS TO REAR IN-CAR ENTERTAINMENT CONTROLS HARNESS	CABIN / BELOW CENTER CONSOLE
TL28	16-WAY / GREY / CENTER CONSOLE HARNESS TO TELEMATICS HARNESS	CABIN / BELOW CENTER CONSOLE / RH SIDE OF TRANSMISSION TUNNEL
TL93	8-WAY / BLACK / CENTER CONSOLE HARNESS TO TELEMATICS HARNESS	CABIN / BELOW REAR CENTER CONSOLE

**GROUNDS**

Ground	Location
G2	ENGINE COMPARTMENT / BELOW FRONT POWER DISTRIBUTION FUSE BOX
G23	TRUNK / RH SIDE / ADJACENT TO BATTERY

Refer to the front of this book for detailed information and illustrations regarding the location and identification of harnesses, relays, fuses, grounds, control modules and control module pins.



1 → 6	Fig. 01.1	64 → 95	Fig. 01.3	16 → 52	Fig. 01.5	78 → 105	Fig. 01.7	Input	Battery Voltage	Sensor/Signal Supply V	ACP	SCP
7 → 63	Fig. 01.2	1 → 15	Fig. 01.4	53 → 77	Fig. 01.6	106 → 143	Fig. 01.8	Output	Power Ground	Sensor/Signal Ground	CAN	Serial and Encoded Data

**VARIANT:** All Vehicles  
**VIN RANGE:** All  
**DATE OF ISSUE:** September 2004