

# JAGUAR XJ 2004-05

## SECTION INDEX

	A/C/HEATER/VENTILATION	707
	A/C REFRIGERANT CAPACITIES	707
	ABS/BRAKES	709
	AIR BAG SYSTEM	708
	AIR CLEANER	711
	BACK WINDOW	721
	CENTER CONSOLE	713
	CLEAR COAT IDENTIFICATION	705
	COOLING	706
	COWL & DASH	713
	ELECTRICAL	712
65.00	ELECTRONIC SUSPENSION COMPONENTS	709
	EMISSION SYSTEM	712
84.25	ENGINE OIL COOLER	707
81.35	ENGINE UNDER COVER	711
81.35	ENGINE/TRANS	711
55	ENGINE/TRANS MOUNTS, L	711
20.45	EXHAUST	712
27.50	FRONT BUMPER	705
	FRONT DOOR	717
131.00	FRONT FENDER	707
55.00	FRONT INNER STRUCTURE	707
	FRONT LAMPS	705
	FRONT SEAT	715
	FRONT STEERING LINKAGE/GEAR	710
	FRONT SUSPENSION	709
	FUEL TANK	723
	GRILLE	705
	HOOD	705
	INFORMATION LABELS	705
	INSTRUMENT PANEL	713
	LUGGAGE LID	722
	PAINT CODE LOCATION	704
15	QUARTER PANEL	721
	REAR BODY	723
35.15	REAR BUMPER	724
1.35	REAR CONSOLE	714
1.55	REAR DOOR	718
89.20	REAR DRIVE AXLE	723
	REAR LAMPS	723
	REAR SEAT	718
56.10	REAR SUSPENSION	722
56.10	ROCKER/PILLARS/FLOOR	714
57.75	ROOF	720
57.75	SEAT BELTS	717
	SPECIAL CAUTIONS	704
98.25	STEERING PUMP	710
188.25	STEERING WHEEL/COLUMN	710
170.00	SUNROOF	721
13.75	SUPERCHARGER	711
24.25	UNDERHOOD DIMENSIONS	707
24.25	WHEEL	709
ON	WINDSHIELD	712

## SPECIAL CAUTIONS

### SUPPLEMENTAL RESTRAINT SYSTEM

Refer to Procedure Explanation 29 for Supplemental Restrain/Air Bag Special Cautions.

### ALUMINUM

The vehicle body structure is composed of aluminum.

### ELECTRICAL COMPONENTS

Ignition must be in off position before any electrical repair is performed.

### SUSPENSION

Manufacturer advises that some new fasteners must be used whenever old fasteners are loosened or removed.

### WELDING

Before initiating any repair involving the use of an electric welder, the ignition must be in the off position and battery disconnected.

## PAINT CODE LOCATION

Paint code located on left front door jamb.

**CLEAR COAT IDENTIFICATION**

All colors are clear coat.

**INFORMATION LABELS**

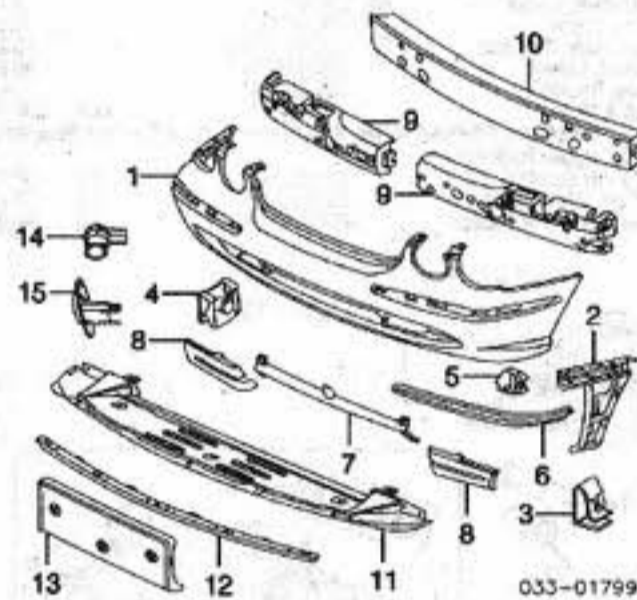
Label, A/C	C2C008249	21.05
Label, Emission		
w/ Supercharger	XR8042719	4.50
w/o Supercharger	XR8035720	2.25
Label, Emission Hose Routing		
w/ Supercharger	04 C2C024771	1.50
w/o Supercharger	05 XR8051921	1.55
w/o Supercharger	04 C2C024770	1.40
w/o Supercharger	05 XR8051920	1.50
w/o Supercharger	XR8047031	1.40
Label, Fan Warning		
Label, Headlamp Caution		
w/ Navigation System		
w/ DVD Player	C2C010228	2.45
w/o DVD Player	XR8034564	6.70
w/o Navigation System	C2C009528	1.95
Label, Pass Air Bag		
Upper	GNA2620CA	5.45
Lower	GNA2621CA	d2.45
Label, Side Air Bag	RL C2C014610	4.50
Label, Tire	C2C002284	2.20
Label, Unleaded Fuel	C2C018300	1.35

**FRONT BUMPER**

Use Procedure Explanations 1 and 28 with the following text.

Refinish Front Cover	2.6
Refinish Impact Bar	1.0
Refinish Parking Aid Sensor	.3
Refinish Sensor Cover	.2
R&I Bumper Assy	#1.6
O/H Bumper Assy (Includes R&I)	#2.2
#Includes R&I Grille Assy	
R&R Parking Sensors Complete	.4
Add to R&R or O/H Front Bumper	
w/ Parking Aid	.3
w/ H/Lamp Washers	.3

NOTE: All Parts in this section are included in overhaul unless noted otherwise.



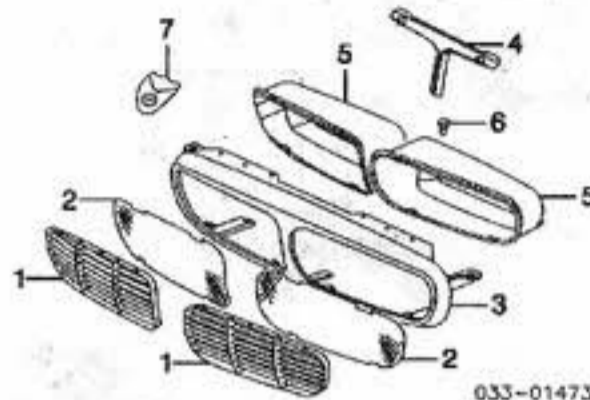
033-01799

1 Cover, Front (P)		
w/ Parking Aid		
w/ H/Lamp Washer	C2C020193XXX	#2.2 940.00
w/o H/Lamp Washer	C2C020191XXX	#2.2 955.00
w/o Parking Aid		
w/ H/Lamp Washer	C2C006217XXX	#2.2 775.00
w/o H/Lamp Washer	C2C020192XXX	#2.2 950.00
(P) Paint to Match		
#Includes R&I Grille Assy		
2 Bracket, Front Cover	R C2C004652	53.65
L C2C004653		42.50
3 Support, Front Cover (2/Side)	RL C2S011341	2.20
4 Nut, Spring (4)	C2S002151	1.15
5 Washer, Cover (5)	XR8002175	1.30
6 Moulding, Cover	R C2C001592	.3 148.75
L C2C001593		.3 150.75
7 Deflector, Lower	C2C001521	151.20
8 to use R/L Lower Cover	RL C2C004656-7	29.05
9 Absorber, Impact	R C2C001802	92.85
L C2C001805		92.85
10 Bar, Impact (P)	C2C003296	#.5 334.00
(P) Paint to Match		
#w/ Bumper Cover Removed, Not included in O/H		
11 Panel, Valance	C2C009223	.4 525.00
12 Deflector, Lower	C2C009540	.3 57.95
13 Bracket, License	C2C001522	.2 22.85
14 Sensor, Parking Aid (P)		
Outer	RL C2C021644XXX	#.2 89.20
Inner	RL C2C021643XXX	#.2 89.20
15 Cover, Sensor (P)		
Outer	R C2C007497XXX	#.2 6.15
L C2C007500XXX		#.2 6.15
Inner	R C2C007499XXX	#.2 6.15

L C2C007498XXX #.2 6.15  
(P) Paint to Match  
#R&R Complete, w/ Front Cover Removed

**GRILLE**

Refinish Grille Bezel	.6
R&I Grille Assy	#.3
#Included in R&R/R&R or O/H Front Cover	



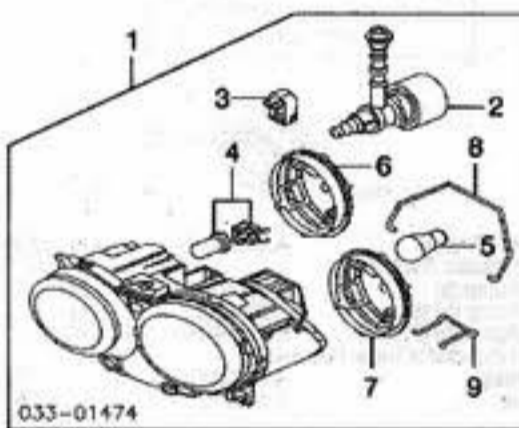
033-01473

Grille		
1 XJ8, XJ8L, Vanden Plas		
Chrome	R C2C011798	#.2 72.25
L C2C011900		#.2 72.25
Gray	RL C2C011746-7	#.2 54.70
2 XJR, XJ Super	RL C2C011904-5	#.2 276.00
#R&R One Side Complete		
3 Bezel, Grille		
Chrome	C2C018703	6.5 400.00
Paint to Match	C2C011748XXX	6.5 590.00
4 Reinforcement, Grille Opening	C2C018702	15.05
5 Housing, Grille	RL C2C011901-2	6.3 11.65
#R&R Complete, Includes R&R Grilles		
6 Retainer, Housing (8)	C2C011903	2.75
7 Emblem		
To VIN G34526	C2C025678	.2 31.80
From VIN G34527	C2C025678	.2 31.80

**FRONT LAMPS**

**COMBINATION LAMP HALOGEN**

Aim Lamps	.4
R&I Combination Lamp	RL #.3
#w/ Front Cover Removed	

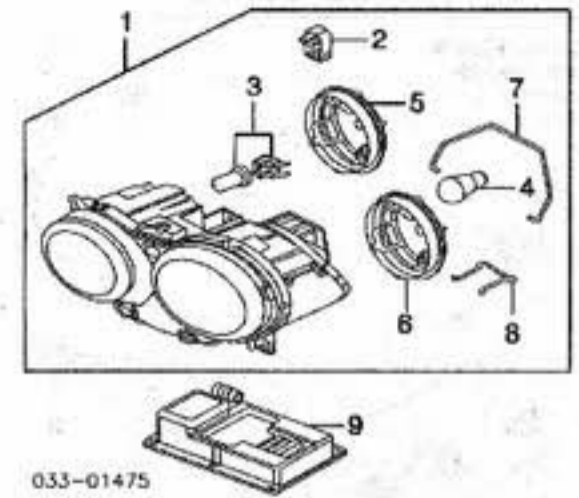


033-01474

1 Lamp Assy, Combination	R C2C022619	#.3 449.00
L C2C022626		#.3 449.00
#w/ Front Cover Removed		
2 Motor, Stepper	RL C2C007783	117.30
3 Vent, Lamp	RL C2C009067	0.00
4 Bulb, Headlamp (2/Side)	RL LNC5180BA	#.2 9.80
5 Bulb, Signal	RL C2S015076	#.2 10.55
#R&R One Side Complete		
Cover, Bulb		
6 Inner	RL C2C009070	2.75
7 Outer	RL C2C009089	11.40
Clip, Cover Retaining		
8 Inner	RL C2C009086	d.70
9 Outer	RL C2C009072	d.70
#Included w/ Combination Lamp Assy		

**COMBINATION LAMP XENON**

Aim Lamps	.4
R&I Combination Lamp	RL #.3
#w/ Front Cover Removed	

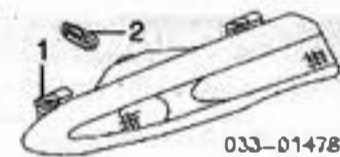


033-01475

1 Lamp Assy, Combination		
To VIN G15432	R C2C022624	#.3 915.00
L C2C022631		#.3 915.00
From VIN G15432 w/ VIN G34527	R C2C022624	#.2 915.00
L C2C022631		#.3 916.00
From VIN G18248	R C2C022624	#.3 915.00
L C2C022631		#.3 916.00
#w/ Front Cover Removed		
2 Vent, Lamp	RL C2C009067	0.00
3 Bulb, Headlamp (2/Side)	RL C2N001716	#.2 122.45
4 Bulb, Signal	RL C2S015076	#.2 10.55
#R&R One Side Complete		
Cover, Bulb		
5 Inner	RL C2C009070	2.75
6 Outer (2/Side)	RL C2C009089	11.40
Clip, Cover Retaining		
7 Inner	RL C2C009086	d.70
8 Outer	RL C2C009072	d.70
#Included w/ Combination Lamp Assy		
9 Control, Xenon Bulb	RL N.A.	0.00

**SIDE MARKER LAMP**

R&I Side Marker Lamp	RL #.2
#Included in R&R or O/H Front Bumper	

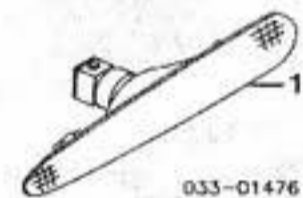


033-01478

1 Lamp, Side Marker	R C2C002051	#.2 25.80
L C2C010423		#.2 22.25
#Included in R&R or O/H Front Bumper		
2 Bulb, Side Marker	RL C2S015074	.2 .75

**SIDE REPEATER LAMP**

R&I Side Repeater Lamp	RL #.2
#Included in R&R Fender	

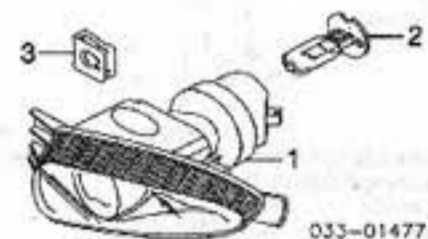


033-01476

1 Lamp, Side Repeater	RL C2C002046-7	#.2 90.75
#Included in R&R Fender		

**FOG LAMP**

R&I Fog Lamp	RL #.3
#Included in R&R or O/H Front Bumper	



033-01477

1 Lamp, Fog	RL XR8007608-9	#.3 115.95
#Included in R&R or O/H Front Bumper		
2 Bulb, Fog Lamp	RL DBC011408	.2 16.05
3 Nut, Fog Lamp Mtg	RL XR8007652	2.45
#As Required		

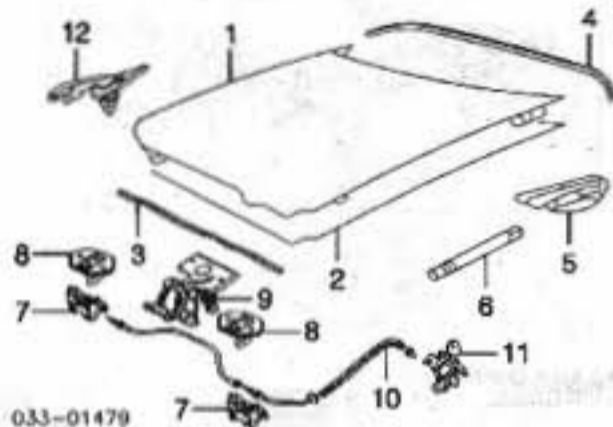
**HOOD**

Use Procedure Explanations 4 and 28 with the following text.

# JAGUAR XJ 2004-05

## HOOD Cont'd

Refinish Hood Outside	1.0
Add for Underside	1.5
Refinish Hinge	RL 2.2
R&I Hood	6



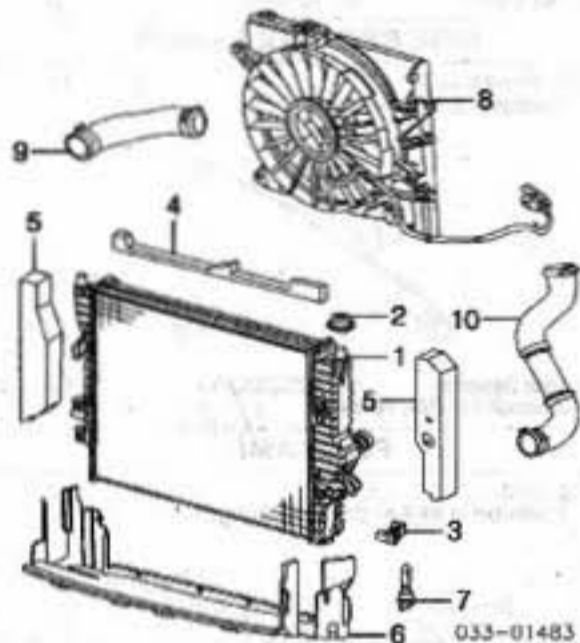
1 Panel, Hood w/Hood Ornament	C2C022117	1.4	1240.00
w/o Hood Ornament	C2C022101	1.2	1240.00
2 Insulator, Hood	C2C003725	.4	151.80
3 Seal, Front	C2C002184	.2	63.95
4 Seal, Rear			
To VIN G23518	C2C003742	.2	151.80
From VIN G23519	C2C022826		20.35
5 Hinge, Hood	RL C2C024608-9	#2	48.55
#w/Hood & Fender Removed			
6 Strut, Support	RL C2C002895	#2	15.75
#w/Hinge Removed Deduct .1			
7 Latch, Hood	RL C2C003123	.3	33.05
8 Striker, Hood	RL C2C003124	.3	38.45
9 Latch, Secondary Hood			
To VIN G30219	C2C023958	.3	21.15
From VIN G30220	C2C023958	.3	21.15
10 Cable, Release			
To VIN G16811	C2C004479	.8	20.10
From VIN G16812	C2C021898	.8	20.10
11 Handle, Release	C2C004468	.2	11.80
12 Ornament, Hood	C2C001560	.2	257.00

## COOLING

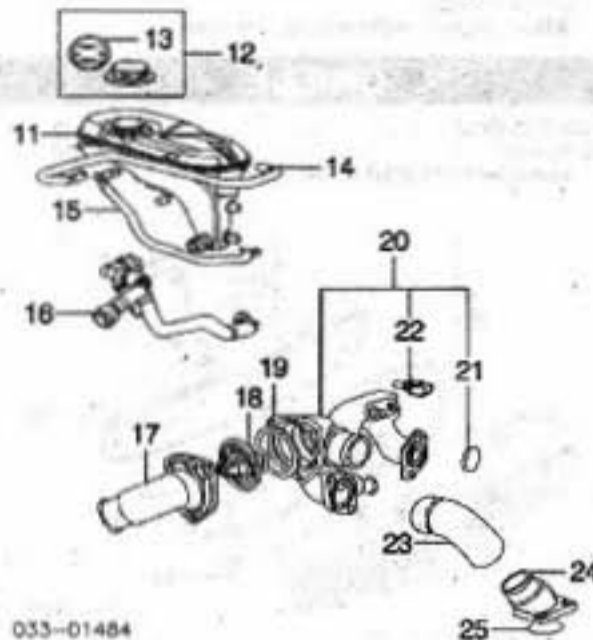
Use Procedure Explanations 5 and 28 with the following text.

### W/SUPERCHARGER

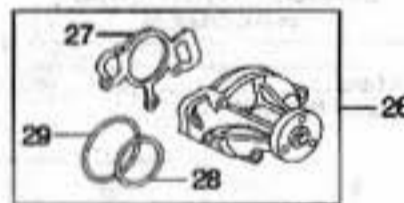
R&I Radiator #4.8  
#Includes R&I/R&R Electric Fan & Motor, Oil Cooler & Supercharger Coolant Pump



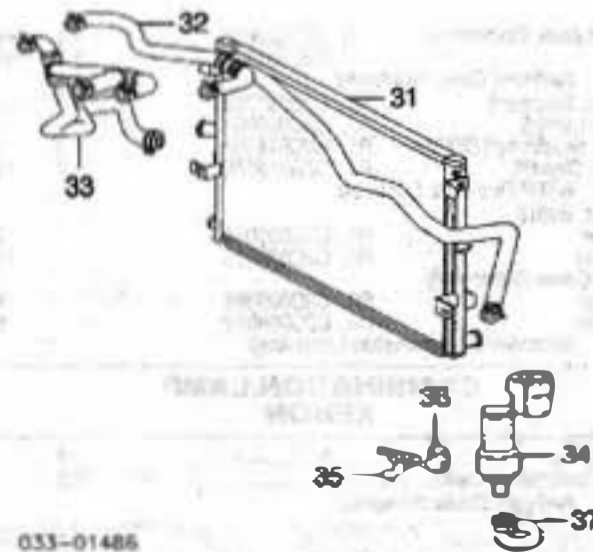
1 Radiator	XR8047964	#4.8	306.00
#Includes R&I/R&R Electric Fan & Motor, Oil Cooler & Supercharger Coolant Pump			
2 Cushion, Upper Mtg	RL C2C001963		11.40
3 Insulator, Lower	RL C2C001960		3.10
4 Seal, Upper	C2C001973		10.25
5 Seal, Side Radiator	RL C2C002354-5		10.25
6 Shield, Lower	C2C028146		38.95
7 Plug, Radiator	C2C001467		1.80
8 Fan & Motor	XR8052101	#2.4	392.00
#Includes R&I/R&R Grille, Air Cleaner Assy & Coolant Reservoir			
9 Hose, Upper Radiator			
To VIN G07411	C2C010665	1.4	54.45
From VIN G07412	C2C018212	1.4	52.30
10 Hose, Lower Radiator	C2C010666	1.9	61.60



11 Reservoir, Coolant	XR8047965	.5	0.00
12 Cap Assy, Reservoir	XR8050837		10.85
13 Label, Coolant	XR8068857		0.00
#Included w/Reservoir Cap Assy			
14 Hose, Bleed	C2C010871		55.75
15 Hose, Reservoir	C2C010872	.3	84.80
16 Hose, Drain	C2C018596	.3	17.60
17 Outlet, Thermostat	AJ8004255	#1.8	57.10
18 Thermostat	AJ8006484	#1.8	48.05
#R&R Complete			
19 Seal, Thermostat Outlet	N.A.		0.00
20 Housing Assy, Thermostat	AJ8009050	#2.1	195.10
#Includes R&R Thermostat			
21 Seal, Thermostat Housing (a)	C2C011477		4.00
22 Sensor, Temperature (a)	LNA1600AA	.3	22.65
(a) Included w/Thermostat Housing Assy			
23 Hose, Coolant Pipe	AJ8008713	.3	10.60
24 Pipe, Coolant	AJ8007639	.7	31.80
25 Seal, Coolant Pipe	NCA2269CA		.65



26 Pump Assy, Water	AJ8008912	#2.3	76.75
#Includes R&R Pulley			
27 Gasket, Pump (b)	AJ8003300		13.65
28 O-Ring, Pump (b) (55mm)	KSR634001		1.80
29 O-Ring, Pump (b) (70mm)	KSE169530		1.80
(b) Included w/Water Pump Assy			
30 Pulley, Pump Belt, Drive	AJ8003824	.7	38.95
	AJ8009191	.5	42.60

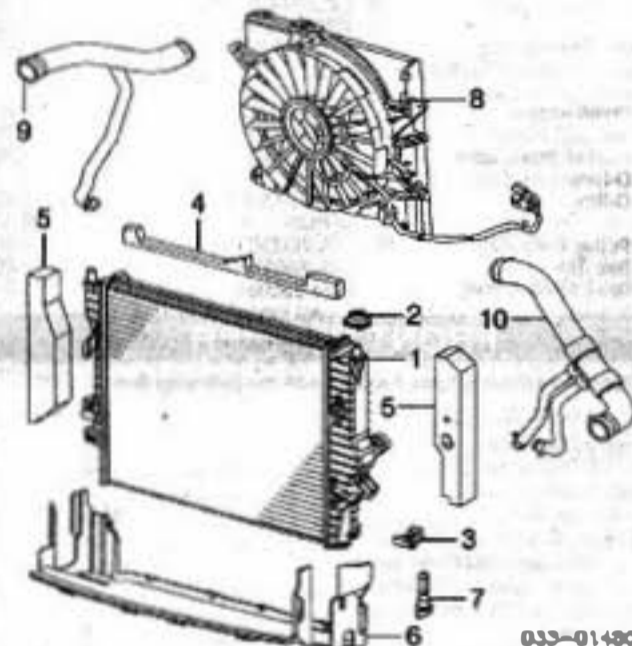


31 Cooler, Supercharger	XR8039090	m #3.0	334.00
#Includes R&I/R&R Grille, Oil Cooler & Supercharger Coolant Pump			
32 Hose, Inlet	C2C018160	#1.3	17.60
33 Hose, Outlet	C2C018161	#1.0	53.66

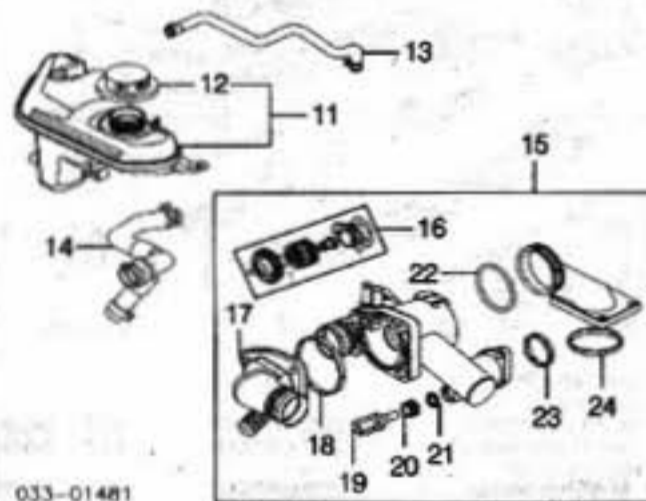
#R&R Both 1.5			
34 Pump, Supercharger Coolant	C2C001314	m #2.5	308.00
#Includes R&R Oil Cooler			
35 Bracket, Pump	C2C011651		28.00
36 Clamp, Pump	C2C003550		19.10
37 Hose, Coolant Return	C2C010889	.7	55.75
Dam, Air-See Front Inner Structure Section			
Bracket, Radiator Support-See Front Inner Structure Section			

### W/O SUPERCHARGER

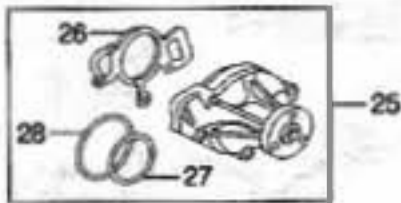
R&I Radiator #4.0  
#Includes R&I/R&R Electric Fan & Motor



1 Radiator	XR8047964	#4.0	306.00
#Includes R&I/R&R Electric Fan & Motor			
2 Cushion, Upper Mtg	RL C2C001963		11.40
3 Insulator, Lower	RL C2C001960		3.10
4 Seal, Upper	C2C001973		10.25
5 Seal, Side Radiator	RL C2C001978-9		10.25
6 Shield, Lower	C2C028146		38.95
7 Plug, Radiator	C2C001467		1.80
8 Fan & Motor	XR8052101	#2.4	392.00
#Includes R&I/R&R Grille, Air Cleaner Assy & Coolant Reservoir			
9 Hose, Upper Radiator			
To VIN G29412	C2C001964	1.2	30.10
From VIN G29413	C2C022265	1.2	27.35
10 Hose, Lower Radiator	C2C009778	1.5	90.00



11 Reservoir Assy, Coolant	XR8047965	.5	0.00
12 Cap, Reservoir	XR8050837		10.85
13 Label, Coolant	XR8068857		0.00
#Included w/Coolant Reservoir Assy			
14 Hose, Bleed	C2C003507		16.00
15 Hose, Reservoir	C2C017258	.3	17.60
16 Housing Assy, Thermostat	AJ8005824	#1.8	0.00
#Includes R&R Thermostat			
17 Thermostat (a)	AJ8002897	#1.2	35.00
18 Outlet, Thermostat (a)	AJ8009483	#1.2	24.15
#R&R Complete			
19 Seal, Thermostat Outlet (a)	AJ8003525		4.00
20 Sensor, Temperature (a)	LNA1600AA	.3	22.65
21 Insulator, Sensor (a)	AJ8005475		1.80
22 Washer, Sensor (a)	JWV110001		1.80
23 O-Ring, Pipe (a)	AJ8003525		1.80
24 Seal, Water Outlet (a)	C2C011477		4.00
	NCA2269CA		.65
(a) Included w/Thermostat Housing Assy			

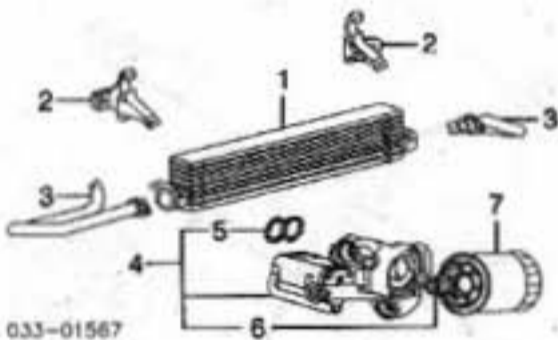


033-01482

25 Pump Assy, Water #Includes R&R Pulley	AJ8008912	m	1.9	76.75
26 Gasket, Pump (b)	AJ8003300	m		13.65
27 O-Ring, Pump (b) (55mm)	KSP654001	m		1.80
28 O-Ring, Pump (b) (70mm) (b) included w/Water Pump Assy	KSE169530	m		1.80
29 Pulley, Pump Belt, Drive	AJ8003874 AJ8009191	.7 .5		38.95 42.80

**ENGINE OIL COOLER  
W/SUPERCHARGER**

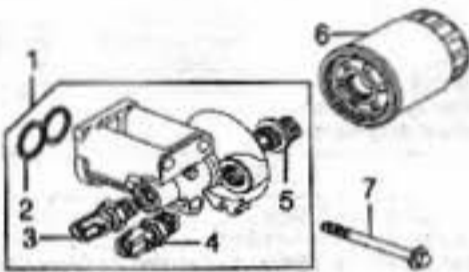
R&I Engine Oil Cooler ..... m 1.3



033-01567

1 Cooler, Oil	C2C010447	m	1.3	359.00
2 Bracket, Cooler	R/L C2C011517-8			19.10
3 Hose, Cooler	R C2C022739 L C2C022740	m	2.8	94.50 87.00
<b>#R&amp;R Both 1.2</b>				
4 Housing Assy, Oil Cooler	AJ8006293	m	1.7	227.25
5 Seal, Housing	NCE001842AA	m		0.00
6 Adapter, Oil Filter	AJ8003472	m		52.70
<i>(Included w/Oil Cooler Housing Assy)</i>				
7 Filter, Oil	C2N003587	m		17.30

**W/O SUPERCHARGER**



033-01669

1 Adapter Assy, Oil Cooler	AJ8004515	m	2.1	0.00
2 Gasket, Adapter	NCE001842AA	m		0.00
3 Switch, Oil Pressure	AJ8004514	m	8.7	6.40
4 Sensor, Temperature	LRA001800AA	m	8.7	0.00
<b>#R&amp;R Both .9</b>				
5 Adapter, Oil Filter	AJ8003472	m		52.70
<i>(Included w/Oil Cooler Adapter Assy)</i>				
6 Filter, Oil	C2N003587	m		17.30
7 Bolt, Mounting	AJ8001209	m		3.90

**A/C REFRIGERANT CAPACITIES**

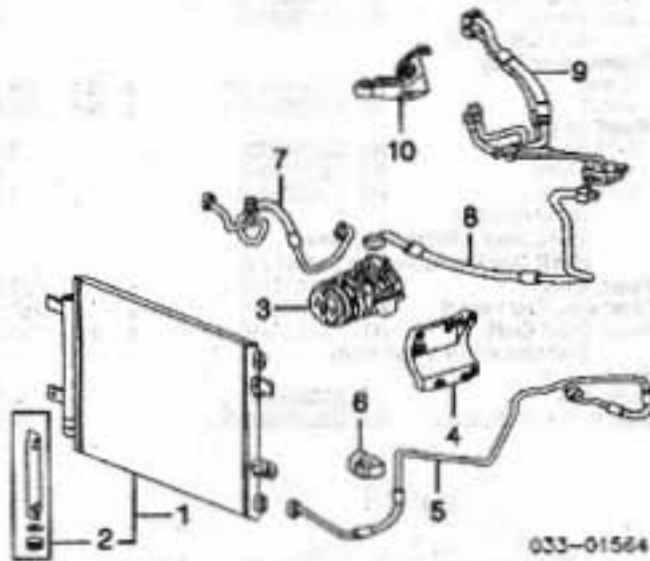
A/C R-134a Refrigerant Capacity  
2004-05  
w/Rear Climate Control: 28.0 Ozs (1.8 Lbs)  
w/o Rear Climate Control: 23.0 Ozs (1.4 Lbs)

**A/C /HEATER/VENTILATION**

Use Procedure Explanation 5 with the following text.

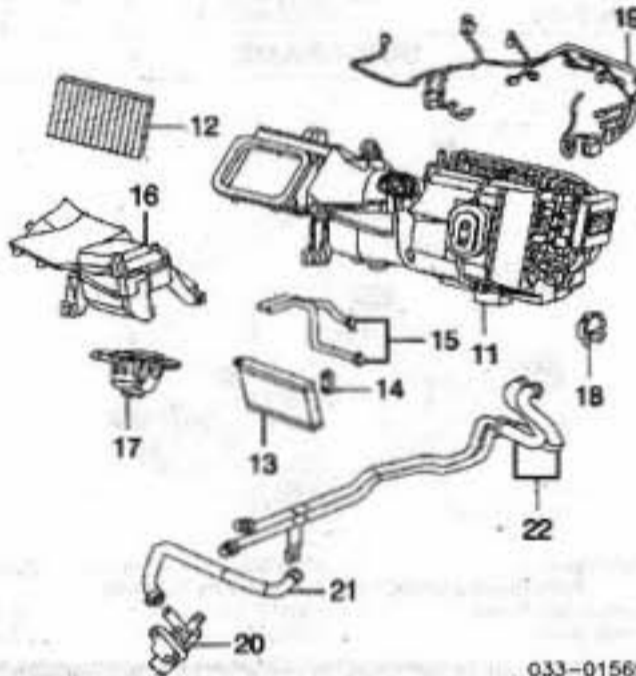
R&I Condenser Assy #w/Grille Removed	m	1.7
Evacuate & Recharge System	m	1.4
Recover Refrigerant	m	.3

NOTE: R&R Does Not include recover, evacuate and recharge system.



033-01564

1 Condenser Assy #w/Grille Removed	C2C026832	m	1.7	705.00
2 Filter, Refrigerant	C2C015230	m	6.5	44.05
<i>(Included w/Condenser Assy)</i>				
<b>#w/Condenser Assy Removed</b>				
3 Compressor, A/C w/Rear Climate Control w/o Rear Climate Control	C2C026773 C2C026771	m	2.6	755.00 670.00
4 Bracket, Compressor #w/ A/C Compressor Removed	AJ8002541	m	1.3	26.45
5 Hose, Condenser	C2C009315	m	1.3	79.25
6 Retainer, Condenser Hose	C2C010095	d	2.70	
7 Hose, Pressure	C2C009316	m	.7	123.25
8 Tube, Inlet	C2C009318	m	.7	44.05
9 Pipe, Evaporator	C2C016218	m	1.0	123.25
10 Bracket, Evap Pipe Belt, Drive-See Cooling Section	C2C016174	m		2.65



033-01565

11 Case, Evaporator w/Rear Climate Control w/o Rear Climate Control To VIN G04999 From VIN G05000	C2C023967 C2C007279 C2C021308	m	1.2	795.00 0.00 795.00
<b>#Instrument Panel Removed</b>				
12 Filter, Pollen	C2C006884	m	.8	22.95
13 Core, Heater	C2C007071	m	13.8	112.40
14 Insulator, Heater Core	C2C007082	m	13.8	88.25
15 Pipe K/L Heater #R&R Complete	C2C007075	m	13.8	88.25
16 Housing, Blower Motor #Includes R&R Blower Motor, Included in R&R Heater Core	C2C007072	m	1.4	461.00
17 Motor, Blower	C2C007069	m	.7	317.00
18 Actuator, A/C (a) (a) Order by Application	C2C007084	m	2.2	114.50
19 Harness, A/C	C2C007074	m		52.55
20 Pump, A/C Water	C2C006517	m	.9	149.75
21 Hose, A/C Water Pump w/Supercharger w/o Supercharger	C2C012952 C2C001976	m	.5	36.25 17.60
22 Hose Kit, Heater	C2C022214	m	4.2	107.75

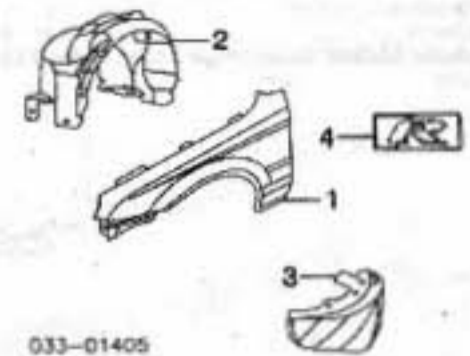
**FRONT FENDER**

Use Procedure Explanations 7 and 28 with the following text.

**SHEET METAL/EXTERIOR TRIM**

Refinish Fender Outside	R/L	2.2
-------------------------	-----	-----

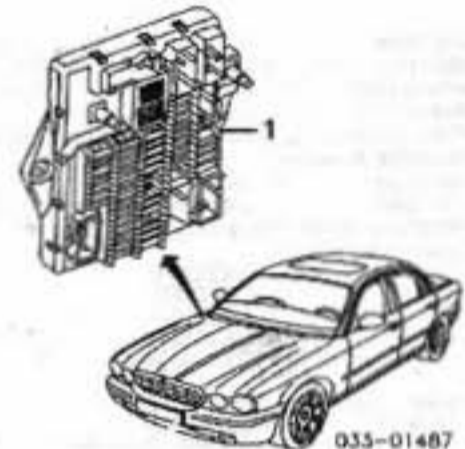
Add to Edge	R/L	.5
R&I Fender	R/L	#2.5
<b>#Includes R&amp;I Front Cover, R&amp;I R&amp;R Fender Liner &amp; Rocker Moulding</b>		
R&I Mudguard	R/L	.2
R&R Mudguard	R/L	.2



033-01405

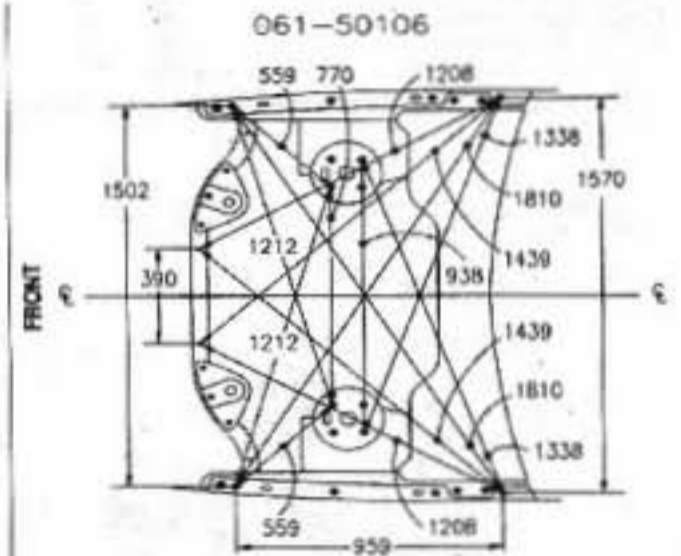
1 Fender #Includes R&I Front Cover, R&I R&R Fender Liner & Rocker Moulding	R/L C2C009586-7	#2.9	570.00
2 Liner, Fender	R/L C2C002146-7	.4	129.15
3 Mudguard Set, Front	C2C007370		64.90
4 Nameplate (Adhesive) "R"	R/L C2N002446	.2	32.30

**ELECTRICAL COMPONENTS**



1 Box, Fuse	C2C012445	m		92.95
-------------	-----------	---	--	-------

**UNDERHOOD DIMENSIONS**



**FRONT INNER STRUCTURE**

Use Procedure Explanations 8 and 28 with the following text.

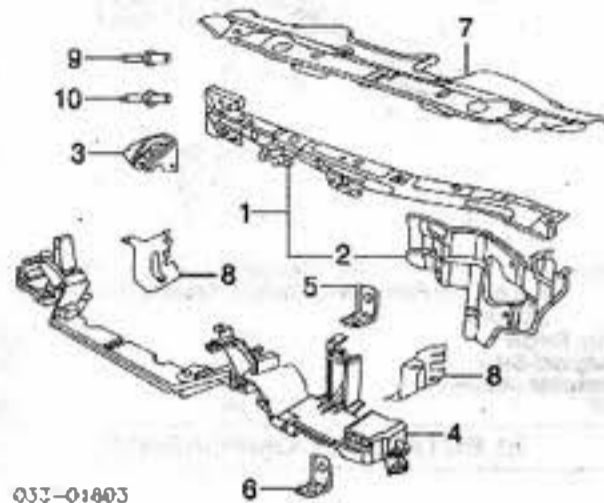
**FRONT**

Refinish Front Support Assy		1.5
Refinish Headlamp Mtg Panel	R/L	.5
Refinish Lower Crossmember		1.0
R&R Radiator Support Complete		#12.5
<b>#Includes R&amp;R Front Support Assy, Headlamp Mounting Panel, Lower Crossmember, R&amp;I Front Bumper, R&amp;I R&amp;R Air Cleaner, Air Cleaner Duct, Radiator, Fan/Motor Assy, Combination Lamps, Battery &amp; Tray, Hood Latches, Hood Striker, Lower Shield, Hood Bumpers, Radiator Side Seals, Disconnect &amp; Connect Hood Release Cable &amp; Wiring &amp;/or Harness</b>		
Add to R&R Radiator Support Complete		

## FRONT INNER STRUCTURE Cont'd

### FRONT Cont'd

To R&R/R Base Model Mechanical Components.....m #1.0  
 #Includes R&R/R A/C Condenser & Receiver/Drier & Trans/Steering Cooler  
 w/Supercharger.....m #.8  
 #Includes R&R/R Supercharger Cooler, Hoses & Coolant Pump



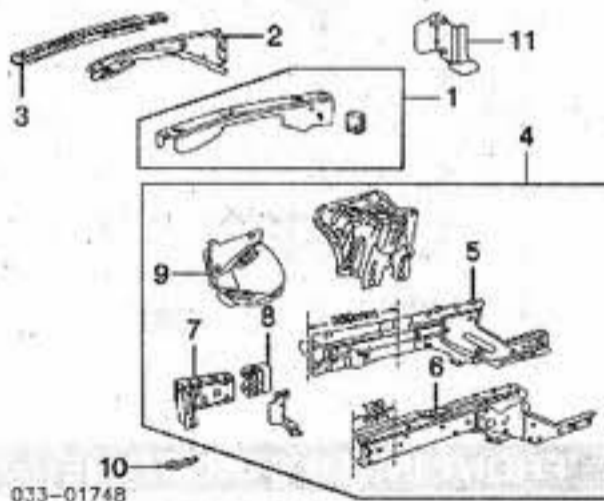
033-01603

1 Support Assy, Front	C2C003740	s #3.5	197.35
#w/Necessary Bolted Parts & Assemblies Removed			
2 Panel, Headlamp Mtg	R/L C2C001694-5	s #1.5	62.65
#Included w/Front Support Assy			
#w/Front Support Assy and Necessary Bolted Parts & Assemblies Removed			
3 Bracket, Front Support	R/L XR8030278-9		15.35
4 Crossmember, Lower	C2C023177	#4	162.10
#w/Necessary Bolted Parts & Assemblies Removed			
Bracket, Crossmember Mtg			
5 Upper (4)	C2C019455		4.10
6 Lower (2)	C2C003951		38.05
7 Shield, Upper	C2C006145	.2	39.65
8 Dam, Air	R C2C007345 L C2C029055		10.20 10.15
Rivet			
9 2.8mm to 4.8mm (10)	C2C007792		1.10
10 4.8mm to 6.8mm (8)	C2C010349		2.05

### SIDE

Refinish Lower Rail Assy	R/L	1.5
Refinish Outer Sidemember	R/L	1.0
Refinish Inner Sidemember	R/L	1.0
Refinish Front Panel	R/L	.5
Refinish Upper Rail	R/L	.5
Refinish Upper Rail Panel	R/L	.5
Refinish End Panel Extension	R/L	.5
Section Lower Rail Complete	R/L	6.0

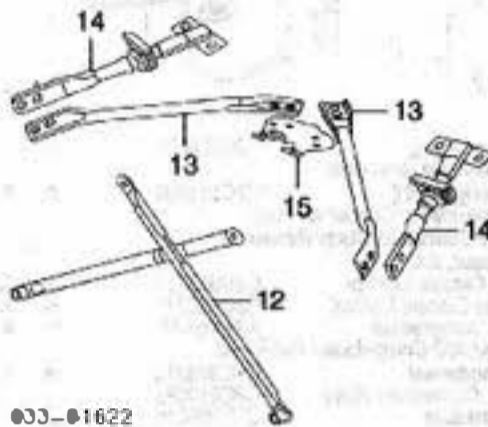
NOTE: For sectioning methods refer to Manufacturer's Body Repair Procedures.



033-01748

1 Rail, Upper	R/L C2C007469-70	s #3.0	182.55
Rivet			
2.8mm to 4.8mm	R/L C2C007792		1.10
2 Reinforcement, Upper Rail	R C2C002988 L C2C002988	s #1.5 s #1.5	171.95 171.95
3 Panel, Upper Rail	R/L C2C007482-3	s #2.5	182.55
#R&R One Side Complete Deduct 2.0			
4 Rail Assy, Lower	R/L C2C007475-6	s #14.5	625.00
#w/Upper Rail Removed Deduct 1.5			
Rivet (a)			
4.8mm to 6.8mm	R/L C2C010349		2.05
6.8mm to 8.8mm	R/L C2C009618		1.60
8.8mm to 10.8mm	R/L C2C009666		2.10
6x15.8mm	R/L C2C012329		2.75

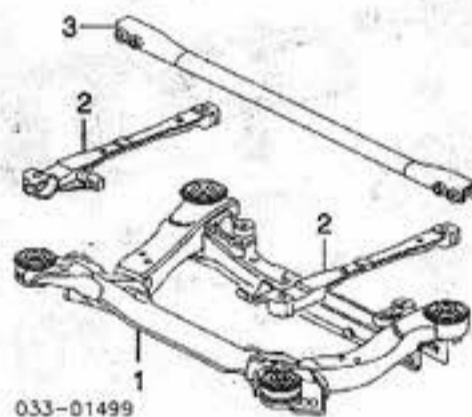
6x15.11mm	R/L C2C010348		.90
6.8x7.5 to 9.5mm	R/L C2C022613		1.40
8x17.49mm	R/L C2C004400		1.60
(a) As Required			
Sidemember Assy			
5 Outer	R/L C2C007473-4	s #8.5	189.85
6 Inner	R/L C2C007471-2	s #8.5	189.85
Rivet (a) (b)			
6x15.8mm	R/L C2C012329		2.75
6x15.11mm	R/L C2C010348		.90
8x17.49mm	R/L C2C004400		1.60
(a) As Required			
(b) Included w/Sidemember Assy			
#R&R One Side Complete Deduct 2.0			
7 Panel, End	R/L C2C028116-7	s .5	27.30
8 Extension, End Panel	R/L C2C018803	s	168.15
9 Panel, Front End	R/L C2C001410-1	s 2.0	97.85
#Included w/Lower Rail Assy			
Rivet			
10 Hook, Tow	L XR8006500		34.75
11 Bracket, Radiator Support	R/L C2C016201-2		24.65



033-01622

12 Brace, Front	C2C004430	.3	51.35
Brace, Rear			
13 Inner	R/L C2C009863-4	.2	51.35
14 Outer	R/L C2C004395-6	.2	51.35
15 Plate, Brace	C2C009865		11.10

### SUB-FRAME



033-01499

1 Sub-Frames	C2C030850	m #2.6	965.00
#w/Necessary Bolted Parts & Assemblies Removed			
2 Spacer, Sub-Frame	R/L C2C011598-9		86.90
3 Brace, Strut	C2C005985		48.70

### AIR BAG SYSTEM

Use Procedure Explanation 30 with the following text.

NOTE 1: R&R Does Not include disable and enable or diagnose Air Bag System.

NOTE 2: Refer to Procedural Explanation 30 for Supplemental Restraint/Air Bag System Component Inspection and Replacement Information.

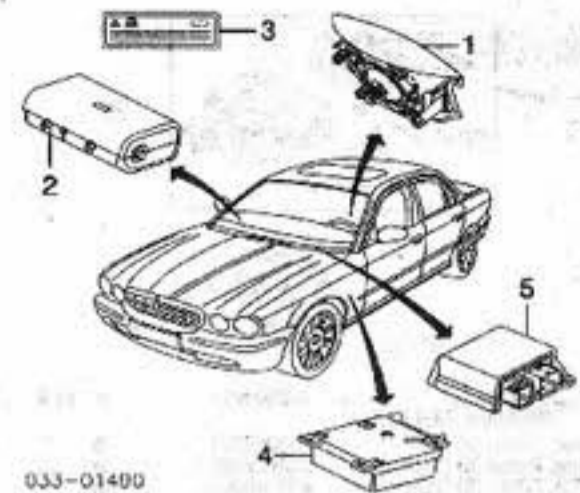
NOTE 3: For Air Bag System Service procedures, refer to Manufacturer's Service Repair Manual or Mitchell's Air Bag Service and Repair Manual.

### FRONT

Disable & Enable Air Bag System	m .3
Diagnose Air Bag System (if Required)	m #1.7
#Includes R&R/R Driver Air Bag Module, Glove Box & Disconnect & Connect Scan Tool & Retrieve/Clear Trouble Codes	

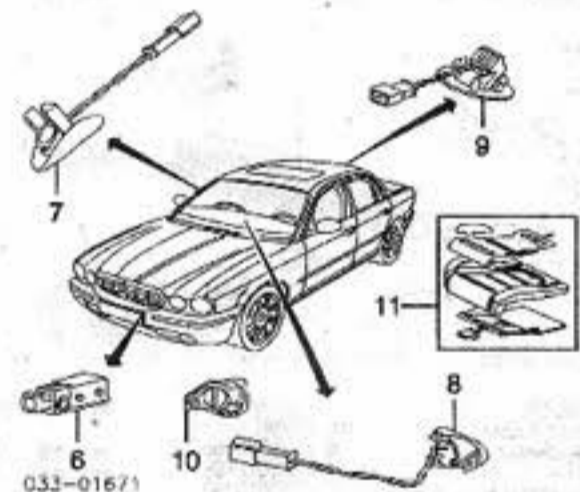
Illustration Located in Next Column

1 Module, Driver Air Bag	C2C025680LEG	m .5	870.00
Charcoal	C2C025680LGP	m .5	870.00
Grease	C2C026262AMB	m .5	1130.00
Noche			



033-01490

Sable	C2C021018AEK	m .5	895.00
2 Module, Pass Air Bag	C2C001674	m .7	810.00
3 Label, Pass Air Bag-See information Labels Section	C2C003921	m #.6	228.75
#w/Seat Assy Removed			
5 Module, Air Bag Control	C2C021261	m #1.0	281.00
To VIN G12786	C2C026062	m #1.0	280.00
From VIN G12787			
#w/Center Console Removed			

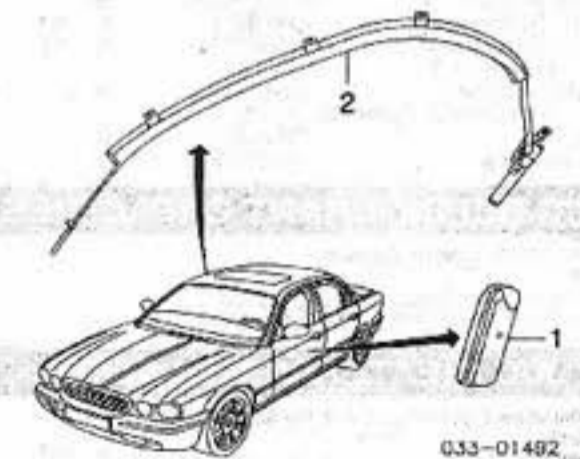


033-01671

6 Sensor, Air Bag (5)	C2C023972	m .5	172.55
Sensor, Occupant Detector			
7 Front			
Champagne	C2C014896SEL	m 1.3	34.30
Dove	C2C014896LHJ	m 1.3	34.30
Gray	C2C014896LFJ	m 1.3	34.30
Oatmeal	C2C014896AGD	m 1.3	34.30
8 Center Upper	C2C003915	m .8	152.30
9 Rear			
Gray	XR8025149LFJ	m 1.0	130.95
Oatmeal	XR8025149AGD	m 1.0	130.95
10 Center Lower	C2C003920	m .8	76.15
11 Sensor, OPDS	C2C024000	m #.9	705.00
#Order by Application			
#w/Seat Assy Removed			

### SIDE

Disable & Enable Air Bag System	m .3
Diagnose Air Bag System (if Required)	m #1.7
#Includes R&R/R Driver Air Bag Module, Glove Box & Disconnect & Connect Scan Tool & Retrieve/Clear Trouble Codes	



033-01492

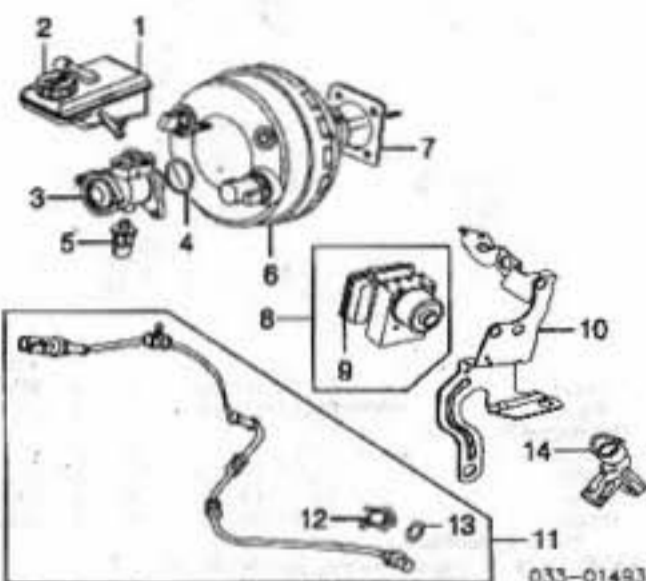
1 Module, Side Air Bag	R/L C2C007690	m #.5	635.00
#w/Front Seat Back Cover Removed			
2 Module, Side Curtain Air Bag			
Short WB	R/L C2C020854-5	m #.8	1080.00
Long WB	R/L C2C025952-3	m #.8	1170.00

#w/Headliner Removed

**ABS/BRAKES**

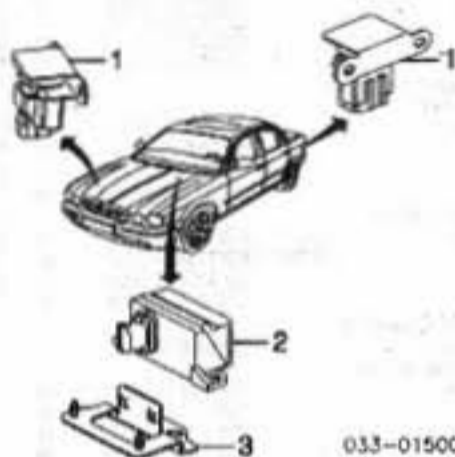
Bleed System \_\_\_\_\_ .5

NOTE: R&R Does Not include bleed brake system.



1 Reservoir, Brake Fluid	XR8034952	m	.8	341.00
2 Cap, Reservoir	XR8024768			20.35
3 Cylinder, Brake Master	XR8028105	m	#1.0	429.00
#Includes R&R Reservoir & Brake Transducer				
4 Seal, Master Cylinder	C2C018839	m	.5	3.10
5 Transducer, Brake	XR8028106	m	.5	160.80
6 Booster, Brake	C2C020220	m	#1.5	715.00
	C2C018826	m	#1.5	530.00
#Includes R&R Master Cylinder				
7 Gasket, Booster	C2C018831	m		3.10
8 Module Assy, ABS	C2C026941	m	1.7	1550.00
9 Module, ABS	C2C026939	m	.7	690.00
#Included w/ABS Module Assy				
10 Bracket, ABS Module	C2C008836		#.2	46.15
	To VIN G11083			
	From VIN G11084		#.2	43.60
#w/ABS Module Assy Removed				
11 Sensor Assy, Front Speed	R/L C2C020585	m	#.5	189.90
12 Retainer, Sensor (a)	R/L C2C013789	m	#.5	3.80
13 O-Ring (a)	R/L C2C013789	m	#.5	3.10
(a) Included w/Front Speed Sensor Assy				
#R&R One Side Complete				
14 Sensor, Rear Speed	R/L XR8022753	m	.5	200.80

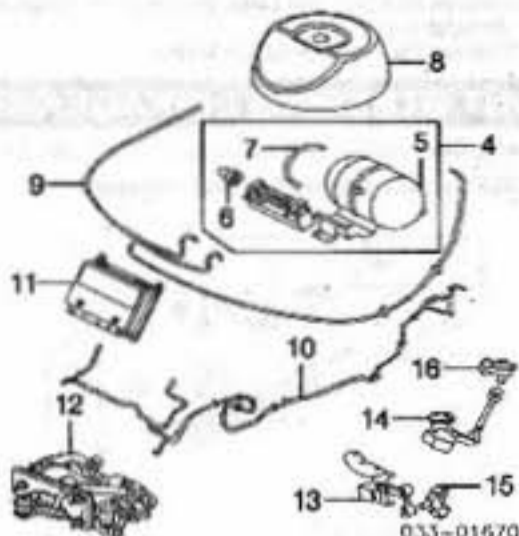
**ELECTRONIC SUSPENSION COMPONENTS**



1 Accelerometer (2)	XR8008856	m	.4	100.35
2 Sensor, Yaw Rate	C2C013780	m	1.8	487.00
3 Bracket, Sensor	C2C021260			25.35

Illustration Located in Next Column

4 Reservoir Assy, Air Suspension	C2C022909	m	.7	450.00
	To VIN G31360			
	From VIN G31369		.7	450.00
5 Reservoir, Air Suspension	C2C022909	m	#1.0	450.00
6 Solenoid, Air	C2C002241	m	#1.0	431.00
#R&R Complete				
7 Tube, Air	C2C009925	m		71.75
#Included w/Air Suspension Reservoir Assy				
8 Cover, Reservoir	C2C002286		.3	45.50

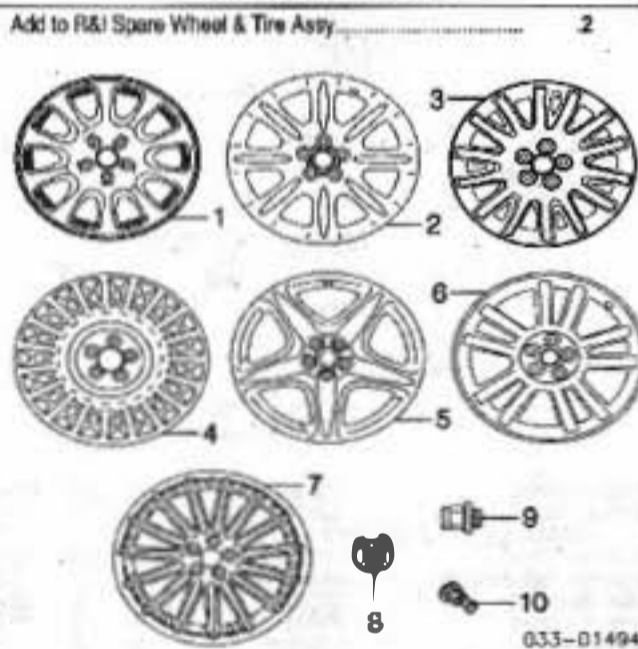


9 Tube, Air	C2C009216	m		44.05
10 Tube, Compressor Air	C2C022910	m		257.00
	Short WB			153.50
	Long WB			497.00
11 Module, Control	C2C024172	m	#.9	497.00
#w/Rear Seal Assy Removed				
12 Compressor, Air	C2C027702	m	#1.0	409.00
#w/Front Bumper Cover Removed				
13 Sensor, Front Height	R C2C002255	m	#.7	149.75
	L C2C002253	m	#.7	149.75
#R&R Both 1.0				
14 Sensor, Rear Height	R C2C002256	m	#.7	149.75
	L C2C002254	m	#.7	149.75
#R&R Both 1.0				
15 Clip, Front Height Sensor	R/L C2C009588			30.90
16 Clip, Rear Height Sensor	R/L C2C005099			27.65

**WHEEL**

Use Procedure Explanation 10 with the following text.

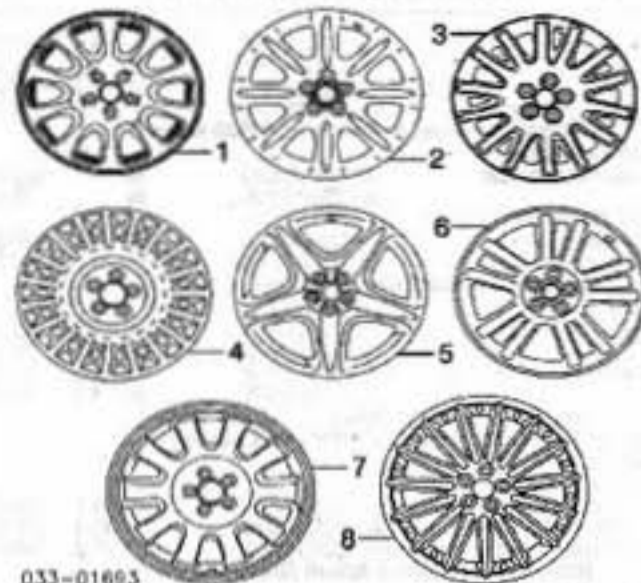
**ALLOY WHEEL**



Add to R&I Spare Wheel & Tire Assy _____ 2				
1 Wheel, Alloy	C2C002273		.3	670.00
	17x7-1/2"			
	18x8"			
2 8 Spoke	C2C017295		.3	570.00
3 14 Spoke	C2C017293		.3	570.00
4 19 Spoke	C2C017294		.3	700.00
	19x8-1/2"			
5 5 Spoke	C2C017297		.3	570.00
6 10 Spoke	C2C002277		.3	640.00
7 20x9"	C2C018597		.3	1190.00
8 Cap, Center	C2C026061			18.70
9 Nut, Lug	C2S013886			13.60
10 Stem, Valve	N.A.			0.00

**SPARE WHEEL & HARDWARE**

Add to R&I Spare Wheel & Tire Assy _____ 2				
Illustration Located in Next Column				
1 Wheel, Alloy	C2C002273		.3	670.00
	17x7-1/2"			
	18x8"			
2 8 Spoke	C2C017295		.3	570.00
3 14 Spoke	C2C017293		.3	570.00



4 19 Spoke	C2C017294		.3	700.00
	19x8-1/2"			
5 5 Spoke	C2C017297		.3	570.00
6 10 Spoke	C2C002277		.3	640.00
7 20x9"	C2C018597		.3	1190.00
8 Spare, Compact	C2C018570		.3	253.00



9 Bolt, Mounting	C2C009931			16.85
10 Pin, Mounting	C2C010966			8.16
11 Spacer, Mounting	C2C018295			2.75
12 Tray, Storage	C2C024499			30.46
13 Check, Wheel	XR8026370			44.60
14 Jack	XR8043742			109.85
15 Wrench, Lug	XR8052021			5.25

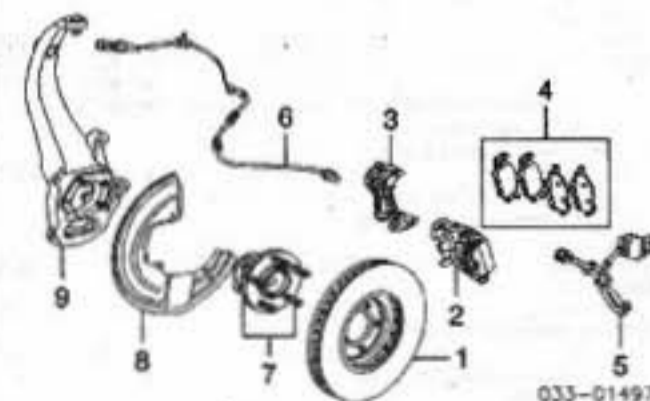
**FRONT SUSPENSION**

Use Procedure Explanation 11 with the following text.

R&I Suspension/Sub-Frame Assy	m	4.6
OH Suspension		
One Side	R/Lm	4.4
Both Sides	m	8.0
R&R Brake Rotor	R/Lm	.5
Adjust Four Wheel Alignment	m	1.5
Adjust Front Alignment	m	1.2
Bleed Brake System	m	.5

NOTE 1: R&R/R&R or OH Does Not include alignment or bleed brake system.

NOTE 2: All Parts in this section are included in overhaul unless noted otherwise.



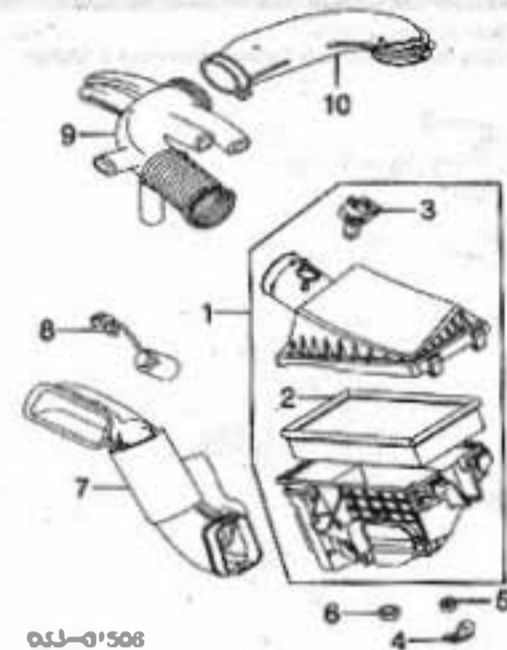
1 Rotor Set, Brake	C2C006355	m	#	823.00	
	w/Supercharger				
	C2C006354	m	#	211.50	
#See Headnote for One Side Labor					
2 Caliper, Brake					
	w/Supercharger				
	w/Logo	R C2C011857	m	#.5	477.00



**AIR CLEANER**

**W/SUPERCHARGER**

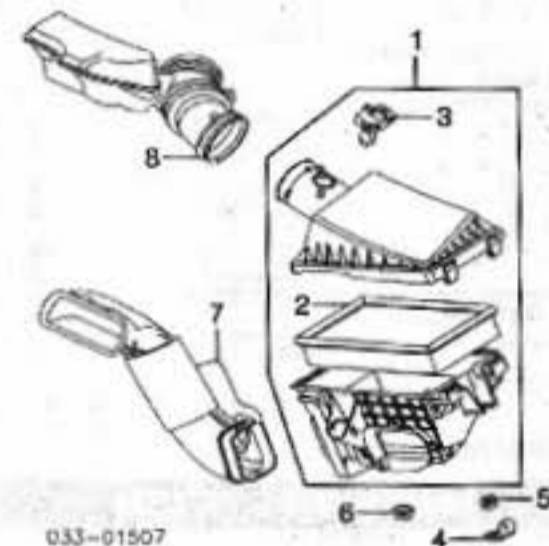
R&I Air Cleaner Assy ..... A



1 Cleaner Assy, Air	C2C013812	A	368.00
2 Filter, Air	AJ8002786	2	21.55
3 Sensor, Air Flow	C2C007636	m 3	128.45
<i>Included w/Air Cleaner Assy</i>			
4 Bracket, Air Cleaner	C2C016680		10.15
5 Grommet, Air Cleaner	XR8003372		1.30
6 Insulator, Air Cleaner	C2C016681		1.05
7 Duct, Air Intake	C2C010418	2	32.20
8 Solenoid, Air Tube, Throttle Body	C2C009642	2	157.35
9 Front			
To VIN G35103	C2C016487	2	76.70
From VIN G35104	XR8049556	2	69.60
10 Rear	AJ8006648	2	192.15

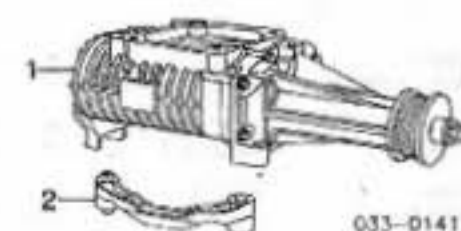
**W/O SUPERCHARGER**

R&I Air Cleaner Assy ..... A



1 Cleaner Assy, Air	C2C013811	A	222.30
2 Filter, Air	AJ8002786	2	21.55
3 Sensor, Air Flow	C2S002670	m 3	44.00
<i>Included w/Air Cleaner Assy</i>			
4 Bracket, Air Cleaner	C2C016680		10.15
5 Grommet, Air Cleaner	XR8003372		1.30
6 Insulator, Air Cleaner	C2C016681		1.05
7 Duct, Air Intake	C2C010418	2	32.20
8 Tube, Throttle Body			
To VIN G35103	C2C025837	2	54.70
From VIN G35104	C2C025837	2	54.70

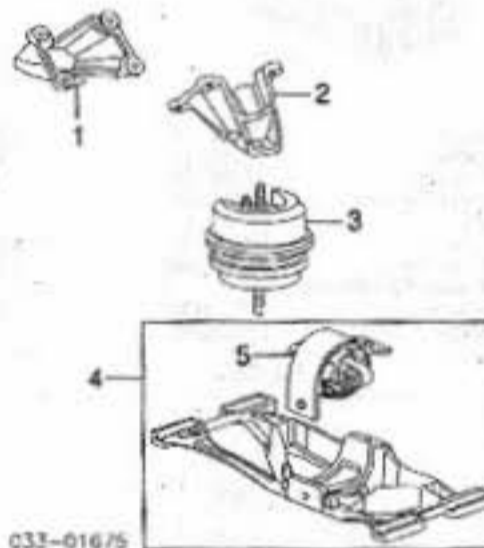
**SUPERCHARGER**



033-01411

w/o Supercharger	C2C012870	A	67.90
8 Cover Assy, Valve w/Supercharger	R AJ8002542	m #1.6	181.50
	L AJ8002874	m #2.3	181.50
w/o Supercharger	R AJ8002857	m #1.6	181.50
	L AJ8002855	m #2.3	181.50
9 Gasket, Valve Cover (a)	R AJ8002873	m #1.6	11.90
	L AJ8006873	m #2.3	22.96
<b>#R&amp;R One Side Complete</b>			
10 Seal, Cover (a)	R AJ8006867	m	d1.25
	L AJ8002856	m	17.50
11 Seal, Spark Plug (a) (4Side)	FUL AJ8006874	m	1.50
<i>(a) Included w/Valve Cover Assy</i>			
12 Cover, Coil Damier Jaguar	R/L C2C009084-5	2	23.15
	R AJ8008280	2	20.80
	L AJ8005627	2	22.75
13 Tube Assy, Oil Filler	AJ8007921	1	19.00
14 Cap, Oil Filler (a)	AJ8007922	1	10.15
<i>(b) Included w/Oil Filler Tube Assy</i>			
15 Pan Assy, Lower Engine Oil	C2C007250	m #1.1	56.95
16 Gasket, Lower Eng Pan (c)	NCE1730BB	m #1.1	8.40
<b>#R&amp;R Complete</b>			
17 Plug Assy, Drain (c)	JZ1100062		4.85
18 Seal, Drain Plug (c) (d)	NCE1850AB		3.10
<i>(c) Included w/Lower Engine Oil Pan Assy</i>			
<i>(d) Included w/Drain Plug Assy</i>			
19 Pan, Upper Eng Oil	AJ8004494	m	276.00
20 Dipstick, Eng Oil			
To VIN G23603	C2C022741		16.30
From VIN G23604	C2C022741		16.30
21 Tube, Eng Dipstick			
To VIN G23603	C2C022742		29.05
From VIN G23604	C2C022742		29.05
22 O-Ring, Tube	KSM109624	m	1.35
23 Pan Assy, Trans Oil	XR8052334	m 2.2	26.50
24 Gasket, Trans Oil Pan (e)	N.A.	m	0.00
<i>(e) Included w/Trans Oil Pan Assy</i>			

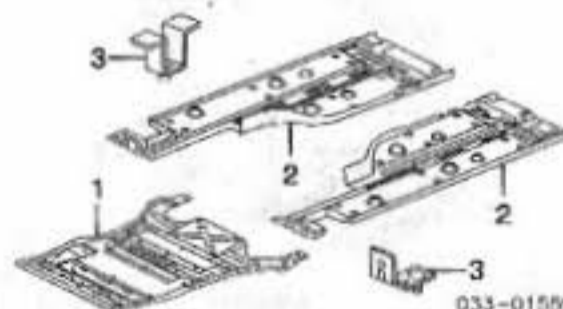
**ENGINE/TRANS MOUNTS**



033-01675

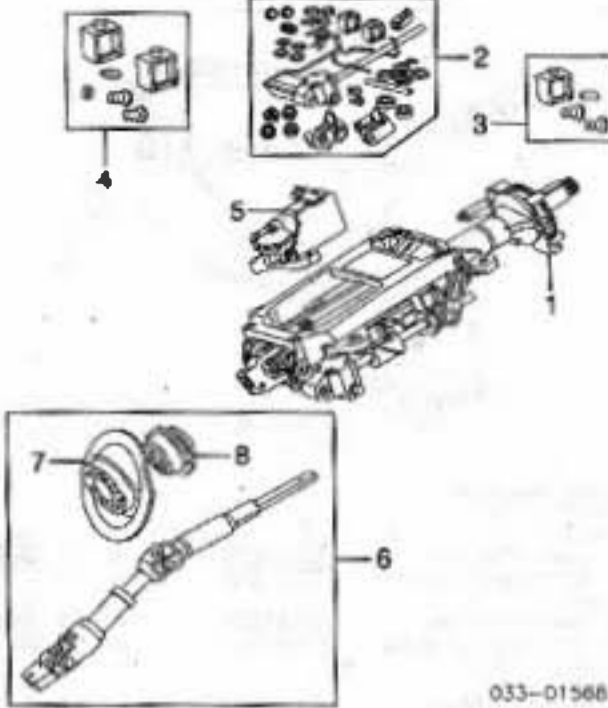
1 Bracket, Right Mounting	AJ8006652	0.2	62.80
2 Bracket, Left Mounting	AJ8006665	0.2	62.80
<i>#w/Engine Mount Removed</i>			
3 Mount, Engine	R C2C022659	1.8	90.00
	L C2C022659	2.0	90.00
4 Support Assy, Rear Mounting	C2C027269	0.8	178.90
5 Mount, Trans	C2C014132	0.9	154.25
<i>Included w/Rear Mounting Support Assy</i>			

**ENGINE UNDER COVER**



033-01559

1 Cover, Front Under	C2C023961	2	182.40
2 Cover, Rear Under w/Supercharger	04 R C2C019784	2	126.40
	L C2C029547	2	126.40
	05 R C2C028881	2	126.40
	L C2C029547	2	126.40
w/o Supercharger	04 R C2C029544	2	101.15
	L C2C029548	2	101.15
	05 R C2C029544	2	101.15
	L C2C029548	2	101.15
3 Bracket, Rear Under Cover	R C2C003874	2	26.85
	L XR8016810	2	10.05



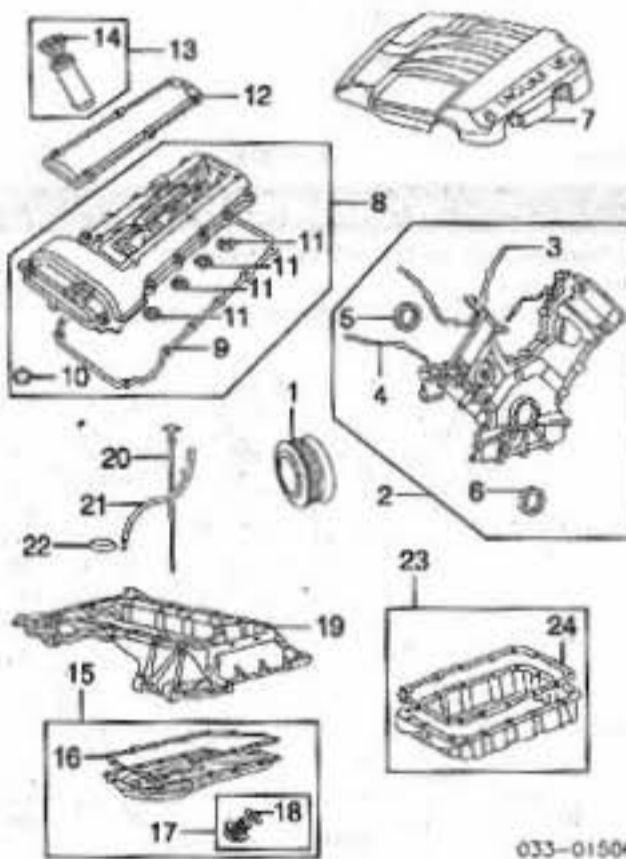
033-01568

1 Column	C2C020159	m 2.5	775.00
2 Motor, Column	C2C011894	m #.9	111.90
3 Motor, Tilt	XR8029830	m #.9	61.20
4 Motor, Telescopic	XR8029831	m #.9	61.50
<i>#Each Additional A, included in R&amp;R Steering Column</i>			
5 Lock, Steering			
To VIN G33614	C2C025778	m .8	282.00
From VIN G33615	C2C025778	m .8	282.00
6 Shaft Assy, Lower	C2C024206	m .6	164.75
7 Coiler, Shaft	C2C004292	m	8.15
8 Boot, Shaft	C2C001298	m	33.80
<i>Included w/Lower Shaft Assy</i>			

**ENGINE/TRANS**

Use Procedure Explanation 12 with the following text.

R&I Engine Assy			
w/Supercharger		m 11.0	
w/o Supercharger		m 10.0	



033-01506

1 Damper, Crankshaft w/Supercharger	AJ8003993	m 4.0	181.50
w/o Supercharger	AJ8006478	m 3.5	181.50
2 Cover Assy, Timing w/Supercharger	AJ8002460	m 9.0	850.00
w/o Supercharger	AJ8002257	m 8.5	515.00
3 Gasket, Inner	AJ8003699	m	27.20
4 Gasket, Outer	AJ8003700	m	26.50
5 Seal, Frt Bearing	AJ8003701	m	5.75
6 Seal, Crankshaft	AJ8003688	m	64.30
<i>Included w/Timing Cover Assy</i>			
7 Cover, Engine w/Supercharger	C2C018737	A	67.90



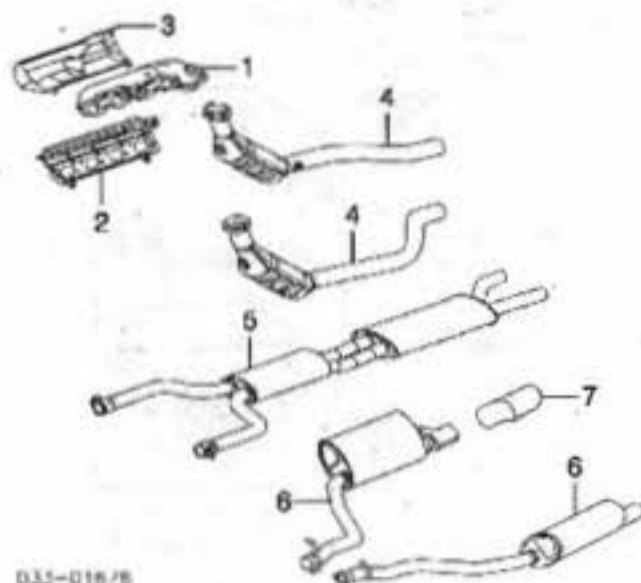
# JAGUAR XJ 2004-05

## SUPERCHARGER Cont'd

1 Supercharger	AJ8009855	m	5.2	1875.00
2 Bracket, Supercharger	NCC7708AB	m		43.25

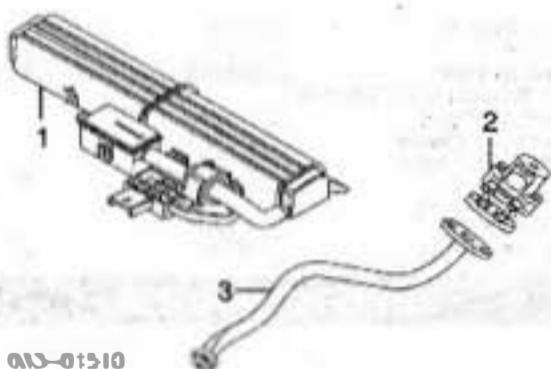
## EXHAUST

R&R Exhaust System Complete #2.4  
#Does Not Include R&R Exhaust Manifolds & Shields



1 Manifold, Exhaust w/Supercharger	R AJ8009467	m	#1.5	344.00
	L AJ8009851	m	#1.5	625.00
w/o Supercharger	R/L AJ8005069-70	m	#1.5	6454.00
2 Gasket, Manifold	R AJ8008510	m	#1.5	38.05
	L AJ8010025	m	#1.5	36.10
<b>#R&amp;R One Side Complete</b>				
3 Shield, Manifold Heat	R AJ8002714		3	102.50
	L AJ8002721		3	102.50
4 Converter, Catalytic w/Supercharger To VIN G13536	R C2C020716	#7	1150.00	
	L C2C005512	#7	1150.00	
From VIN G13637	R C2C020716	#7	1150.00	
	L C2C020716	#7	1150.00	
w/o Supercharger To VIN G13536	R C2C020715	#7	1150.00	
	L C2C020717	#7	1150.00	
From VIN G13637	R C2C020715	#7	1150.00	
	L C2C020717	#7	1150.00	
<b>#R&amp;R Both Sides 1.1</b>				
5 Pipe, Silencer w/Supercharger Short WB	C2C007543	#8	464.00	
Long WB	C2C019307	#8	338.00	
w/o Supercharger Short WB	C2C026258	#8	441.00	
Long WB	C2C026259	#8	348.00	
6 Muffler, Rear w/Supercharger	R C2C007545	#6	325.00	
	L C2C007548	#6	325.00	
w/o Supercharger	R/L C2C026825-6	#6	324.00	
<b>#R&amp;R Both Sides 1.0</b>				
7 Tip, Tailpipe	R C2C009103	2	79.90	
	L C2C009102	2	69.00	
Sensor, Oxygen Upper	R/L C2C026250	#3	112.30	
Lower	R/L C2C026956	#3	112.30	
<b>#R&amp;R Both One Side .5</b>				

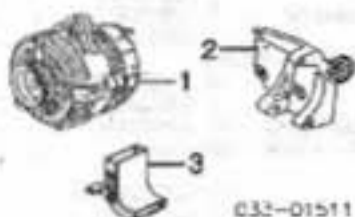
## EMISSION SYSTEM



1 Canister, Carbon w/Rear Suspension Crossmember Removed	C2C009584	m	#6	200.50
2 Valve, EGR w/Supercharger	AJ8005314	#1	0.00	
w/o Supercharger	AJ8005314	#1	0.00	
3 Pipe, EGR w/Supercharger	AJ8002344	#	100.80	
w/o Supercharger	AJ8007734	#	149.10	
Sensor, Oxygen-See Exhaust Section				

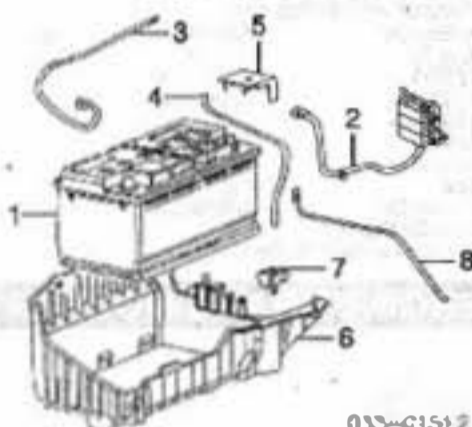
## ELECTRICAL

### ALTERNATOR



1 Alternator	C2C019620	m	1.5	620.00
2 Bracket, Alternator w/Alternator Removed	C2C022757	#2		84.65
3 Duct, Cooling Belt, Drive-See Cooling Section	C2C010451		.3	94.45

### BATTERY



1 Battery	N.A.	2	0.00
2 Cable, Positive	C2C021194	5.6	187.00
3 Cable, Negative	C2C021190	5	49.95
4 Tube, Battery Vent	C2C001856		2.20
5 Cover, Positive Terminal	XR8011245		1.50
6 Tray, Battery To VIN G31393	C2C006768	#5	116.85
From VIN G31394	C2C019709	#5	112.05
<b>#Includes R&amp;R Battery</b>			
7 Spacer, Battery	C2C006969		22.95
8 Clamp, Battery	C2C006967		42.50

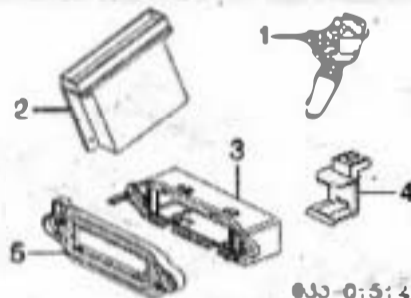
### HORN



1 Horn Kit	C2C009804	.5	67.20
------------	-----------	----	-------

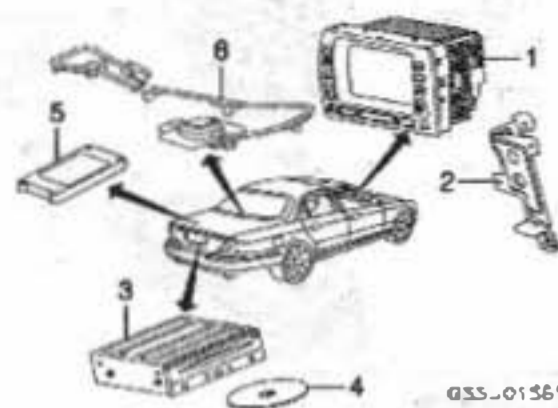
### IGNITION

R&R Ignition Coils Complete m 1.3



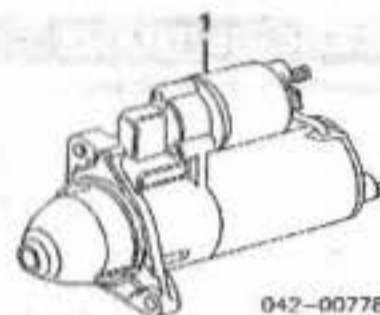
1 Coil, Ignition (R)	AJ8007844	m	.3	45.15
2 Module, Engine Control w/Supercharger To VIN G13490	C2C020509	m	.8	1525.00
From VIN G13491	C2C025840	#	.8	1070.00
w/o Supercharger To VIN G13633	C2C020608	m	.8	1525.00
From VIN G13694	C2C024291	m	.8	1010.00
3 Bracket, Front Module To VIN G25580	C2C009933			12.95
From VIN G25594	C2C022736			12.25
4 Bracket, Rear Module	C2S002474			2.30
5 Cover, Module	C2S003667			21.20

## NAVIGATION SYSTEM



1 Display, Navigation To VIN G00441 w/TV				
Heated Windshield	C2C012506	m	1.5	3800.00
Non-Heated Windshield	C2C012506	m	1.5	3800.00
w/o TV				
Heated Windshield	C2C012504	m	1.5	3200.00
Non-Heated Windshield	C2C012503	m	1.5	3800.00
From VIN G00442 w/TV				
Heated Windshield	C2C020888	m	1.5	2950.00
Non-Heated Windshield	C2C020887	m	1.5	3050.00
w/o TV				
Heated Windshield	C2C020886	#	1.5	2950.00
Non-Heated Windshield	C2C020885	#	1.5	2950.00
2 Bracket, Navigation Display	C2C006576			13.50
3 Player, Navigation DVD	C2C020883	m	.7	2375.00
4 Disc, Navigation	C2C026098			442.00
5 Amplifier, Antenna	C2S003336	m	.8	141.45
6 Antenna, Navigation	C2C009738	m	1.1	129.05

### STARTER

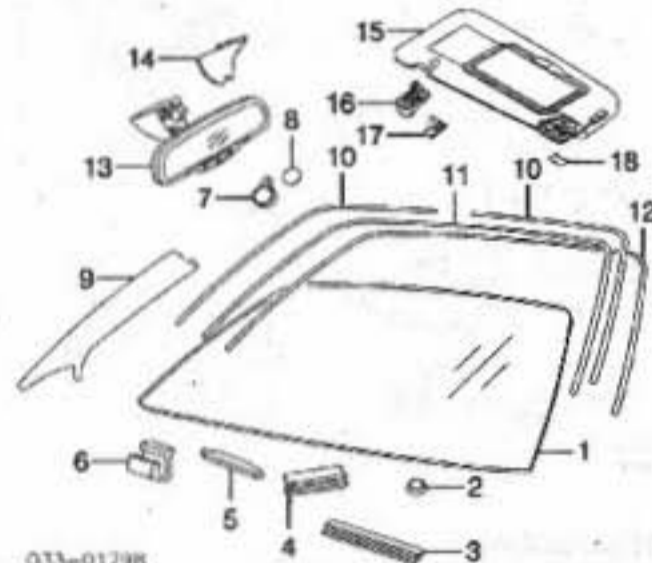


1 Starter	AJ8003690	m	.8	875.00
-----------	-----------	---	----	--------

## WINDSHIELD

Use Procedure Explanation 13 with the following text.

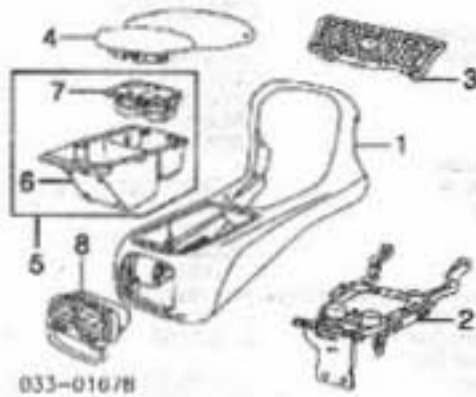
R&I Windshield #4.0  
#Includes Clean Up Old Adhesive as Necessary



1 Glass, Windshield Jaguar Heated	C2C025730	#3.5	530.00
Non-Heated	C2C025729	#3.5	381.00
NAGS To VIN G20246			
Heated	FW02426GY7	#3.5	0.00
Non-Heated	FW02427GY7	#3.5	0.00
From VIN G20247	FW02465GY7	#3.5	754.95
<b>#Includes Clean Up Old Adhesive as Necessary</b>			

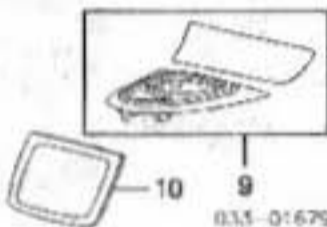


CENTER CONSOLE Cont'd



033-01678

Sand	C2C019083ADX	1.0	1090.00
*Order by Application			
2 Bracket, Console	C2C014083	4.1	78.25
*w/Center Console Assy Removed			
3 Ashtray	C2C001372		79.35
4 Door, Console			
*w/Rear Climate Control			
Champagne	C2C022143SEL	2	468.00
Charcoal	C2C022143LEG	2	468.00
Dove	C2C022143LHJ	2	468.00
Ivory	C2C022143NED	2	468.00
Sand	C2C022143ADX	2	468.00
*w/o Rear Climate Control			
Champagne	C2C026820SEL	2	468.00
Charcoal	C2C022408LEG	2	468.00
Dove	C2C026920LHJ	2	468.00
Ivory	C2C026920NED	2	468.00
Sand	C2C026920ADX	2	468.00
*Order by Application			
5 Compartment Assy, Center	C2C018444	4	81.15
5 Compartment, Center (s)	C2C018489		58.90
7 Holder, Cup (s)	C2C014582		89.30
*s) included w/Center Compartment Assy			
8 Vent, Rear Console			
*w/Rear Climate Control			
To VIN G12877	C2C010142	2	105.75
From VIN G12878 to VIN G29347	C2C021299	2	123.25
From VIN G29348	C2C024295	2	105.75
*w/o Rear Climate Control			
To VIN G29347	C2C010143	2	132.25
From VIN G29348	C2C024705	2	88.25

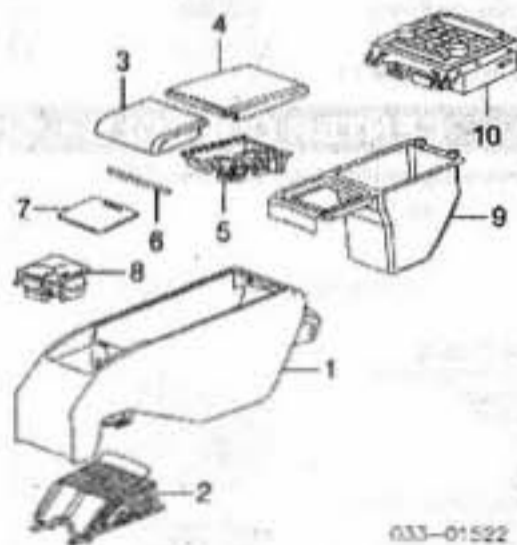


033-01679

Panel, Woodgrain Trim			
9 Front			
Maple	C2C007210	3	700.00
Burled Walnut	C2C007209	3	700.00
Figured Walnut	C2C013955	3	615.00
10 Rear			
Maple	C2C002979	2	202.15
Burled Walnut	C2C002085	2	220.70

REAR CONSOLE

R&I Rear Console .5



033-01522

1 Console Panel			
Champagne	C2C002961SEL	.5	775.00
Charcoal	C2C002961LEG	.5	855.00

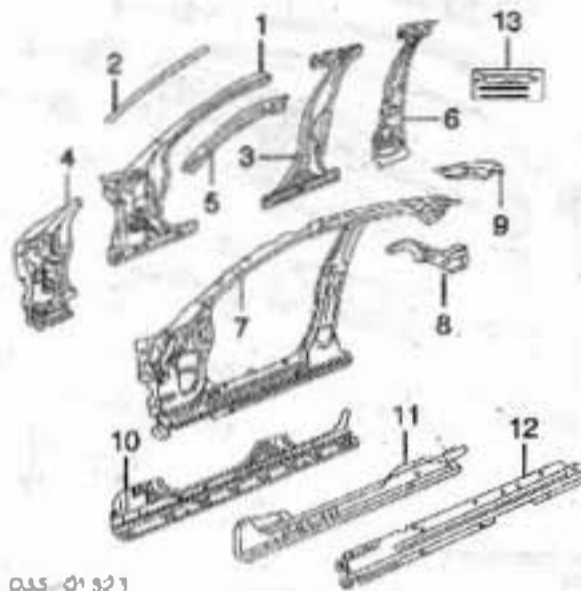
Dove	C2C002961LHJ	.5	855.00
Ivory	C2C002961NED	.5	855.00
Sand	C2C002961ADX	.5	855.00
*Order by Application			
2 Switch, Console Combination	C2C002384	.3	154.75
3 Door, Console Front			
Champagne	C2C024311SEL	.1	238.50
Charcoal	C2C024311LEG	.1	238.50
Dove	C2C024311LHJ	.1	238.50
Ivory	C2C024311NED	.1	238.50
Sand	C2C024311ADX	.1	238.50
4 Door, Console Rear			
Champagne	C2C024312SEL	.1	238.50
Charcoal	C2C024312LEG	.1	238.50
Dove	C2C024312LHJ	.1	238.50
Ivory	C2C024312NED	.1	238.50
Sand	C2C024312ADX	.1	238.50
*Order by Application			
5 Holder, Rear Cup	C2C013421		89.55
6 Pin, Hinge	C2C008045		5.00
7 Extension, Console	C2C006238		894.65
8 Holder, Front Cup	C2C008041		92.65
9 Compartment, Console	C2C025775	.3	139.55
10 Switch, In-Car Entertainment	N.A.	.2	0.00

ROCKER/PILLARS/FLOOR

Use Procedure Explanations 14, 15 and 28 with the following text.

SHEET METAL

Refinish Outer Hinge Pillar	R/L	1.0
Refinish Center Pillar	R/L	1.0
Refinish Outer Rocker Panel	R/L	1.6



035-01323

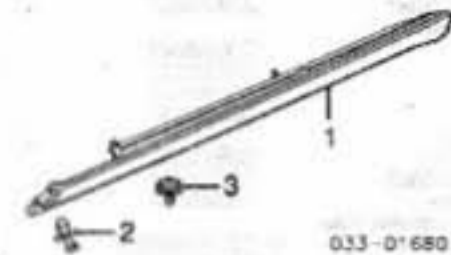
1 Panel, Outer Front	R/L C2C007606-7	8.5	675.00
2 Panel, Closing	R/L C2C001414-5		303.00
3 Pillar, Center	R/L C2C007604-5	8.5	535.00
4 Reinf, Lower Hinge Pillar			
R	C2C001697	3.5	153.10
L	C2C001698	3.5	403.00
5 Reinf, Upper Hinge Pillar			
R/L	C2C001423-4	2.0	153.10
6 Reinf, Center Pillar			
R/L	C2C009836-7	2.5	318.00
7 Panel, Inner Door Frame			
Short WB	R/L C2C007599-600	20.0	470.00
Long WB	R/L C2C027744-5	22.5	425.00
8 Bracket, Rear Pillar			
R	C2C007576		40.45
L	C2C007601		40.50
9 Panel, Outer Rear Pillar			
Short WB	R/L C2C007811-2		340.00
Long WB	R/L C2C022783-4		309.00
10 Panel, Outer Rocker			
Short WB	R/L C2C007608-9	8.0	414.00
Long WB	R/L C2C022780-1	10.5	375.00
11 Reinf, Rocker Panel			
Short WB	R/L C2C007486-7	2.5	86.50
Long WB	R/L C2C022771-2	4.0	79.60
12 Panel, Inner Rocker			
Short WB	R C2C008827	3.0	109.05
Long WB	L C2C008835	3.0	109.05
Long WB	R/L C2C011839-40	4.5	98.95
13 Label, Side Air Bag-See Information Labels Section			
Rivet			
2.8mm to 4.8mm	C2C007792		1.10
4.8mm to 6.8mm	C2C010349		2.05
8.8mm to 10.8mm	C2C009966		2.10
*As Required			

EXTERIOR TRIM

Refinish Rocker Moulding	R/L	1.0
R&I Rocker Moulding	R/L	.5

Illustration Located in Next Column

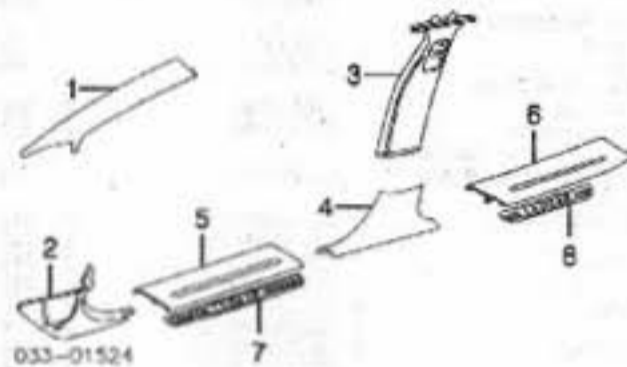
1 Moulding, Rocker (P)			
Short WB	R C2C003551XXX	.5	168.75
	L C2C003552XXX	.5	168.75



033-01680

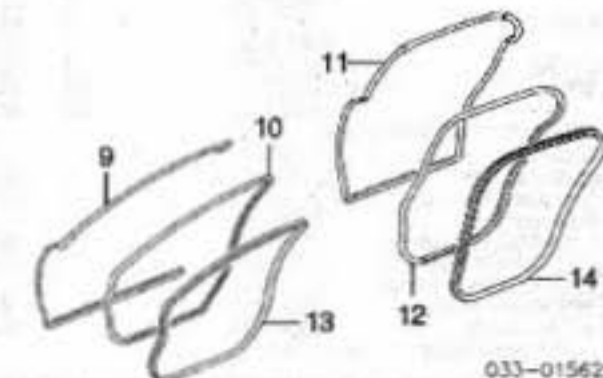
Long WB	R C2C026571XXX	.5	174.10
	L C2C026570XXX	.5	174.10
*Paint to Match			
2 Rivet, Mounting	R/L C2C003564		2.15
*As Required			
3 Retainer, Rocker Moulding (486)	R/L C2C008963		1.05

INTERIOR TRIM



033-01524

1 Garnish, Windshield Pillar-See Windshield Section			
2 Trim, Lower Pillar			
Charcoal	R C2C026178LEG	3	48.20
	L C2C019167LEG	3	430.35
Granite	R C2C026178LGP	3	48.20
	L C2C019167LGP	3	430.35
Mocha	R C2C026178AMB	2	48.20
	L C2C019167AMB	2	0.00
Sable	R C2C019186AEK	2	430.35
	L C2C019187AEK	2	430.35
Trim, Center Pillar			
3 Upper			
Champagne	R C2C027852SEL	3	99.15
	L C2C024663SEL	3	99.50
Dove	R C2C027852LHJ	3	99.15
	L C2C027853LHJ	3	99.15
Gray	R C2C024662LFJ	3	99.50
	L C2C024663LFJ	3	99.50
Sable	R C2C024662AGD	3	99.50
	L C2C024663AGD	3	99.50
4 Lower			
Charcoal	R C2C026183LEG	3	39.70
	L C2C026184LEG	3	39.70
Granite	R C2C026183LGP	3	39.70
	L C2C026184LGP	3	39.70
Mocha	R C2C026183AMB	3	39.70
	L C2C026184AMB	3	39.70
Sable	R C2C009609AEK	3	43.80
	L C2C009610AEK	3	43.80
5 Plate, Front Inner Scuff			
Charcoal	R/L C2C003182LEG	2	52.20
Granite	R/L C2C003182LGP	2	52.20
Sable	R/L C2C003182AEK	2	52.20
6 Plate, Rear			
Charcoal	R C2C004156LEG	2	52.20
	L C2C004157LEG	2	52.20
Granite	R C2C004156LGP	2	52.20
	L C2C004157LGP	2	52.20
Sable	R C2C004156AEK	2	52.20
	L C2C004157AEK	2	52.20
*Order by Application			
7 Plate, Front Outer Scuff			
To VIN G34526	R/L C2C008025	2	59.25
From VIN G34527	R/L XREB497B5	2	59.25
8 Plate, Rear Outer Scuff			
To VIN G34526	R/L C2C009609	2	59.25
From VIN G34527	R/L XREB497B4	2	59.25



033-01562

Weatherstrip, Door Opening  
On Body









SHEET METAL

Table with 3 columns: Description, R/L, Price. Includes Refinish Rear Door, Short WB, Long WB, Add for Jamba & Interior, R&L Door Assy.



Table with 3 columns: Description, R/L, Price. Includes 1 Shell, Door Short WB, Long WB.

EXTERIOR TRIM

Table with 3 columns: Description, R/L, Price. Includes Refinish Side Moulding, R&L Outer Belt Moulding.

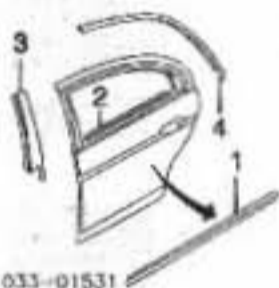


Table with 3 columns: Description, R/L, Price. Includes 1 Moulding, Side (Adhesive) (P) Short WB, Long WB.

Table with 3 columns: Description, R/L, Price. Includes 2 Moulding, Outer Belt Short WB, Long WB with color options.

Table with 3 columns: Description, R/L, Price. Includes 3 Moulding, Outer Glass To VIN G19904, From VIN G19905.

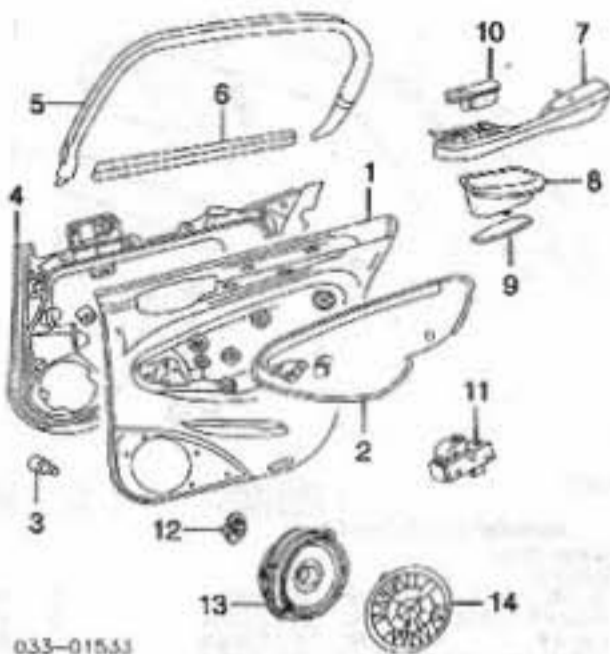
Table with 3 columns: Description, R/L, Price. Includes 4 Moulding, Upper Short WB, Long WB.

INTERIOR TRIM

Table with 3 columns: Description, R/L, Price. Includes R&L Trim Panel.

Illustration Located in Next Column

Table with 3 columns: Description, R/L, Price. Includes 1 Panel, Door Trim w/Sun Blind, Charcoal, Charcoal/Dove, Charcoal/Ivory, Granite/Dove, Mocha/Champagne, Mocha/Ivory, Sable/Ivory, Sable/Sand, Long WB Charcoal, Charcoal/Ivory.



033-01533

Table with 3 columns: Description, R/L, Price. Includes Granite/Dove, Mocha/Champagne, Mocha/Ivory, w/o Sun Blind Short WB, Charcoal, Charcoal/Dove, Charcoal/Ivory, Granite/Dove, Mocha/Champagne, Mocha/Ivory, Sable/Ivory, Sable/Sand.

Table with 3 columns: Description, R/L, Price. Includes Long WB Charcoal, Charcoal/Ivory, Granite/Dove, Mocha/Champagne, Mocha/Ivory.

Table with 3 columns: Description, R/L, Price. Includes 2 Insert, Panel Champagne, Charcoal, Dove, Ivory, Red, Sand, Tan.

Table with 3 columns: Description, R/L, Price. Includes 3 Cap, R&L w/ Air Vent, 4 Shield, Moulding Short WB, Long WB.

Table with 3 columns: Description, R/L, Price. Includes 5 Trim, Window Frame w/Sun Blind Short WB, Charcoal, Sable, Long WB Charcoal, w/o Sun Blind Short WB, Charcoal, Sable, Long WB Charcoal.

Table with 3 columns: Description, R/L, Price. Includes 6 Moulding, Inner Belt.

Table with 3 columns: Description, R/L, Price. Includes Short WB To VIN G23518, From VIN G23519, Long WB, 7 Arched, Door Champagne, Charcoal, Charcoal/Ivory, Charcoal/Red, Charcoal/Sand, Dove, Ivory, Sand.

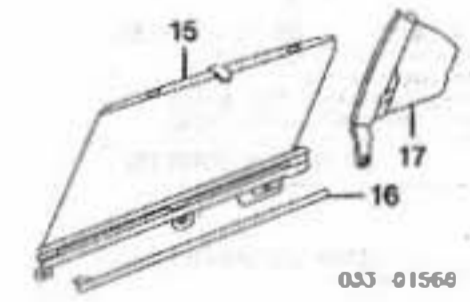
Table with 3 columns: Description, R/L, Price. Includes 8 Pocket, Door Panel Short WB Champagne, Charcoal, Dove, Ivory, Sand, Long WB Champagne, Charcoal, Dove, Ivory, Sand.

Table with 3 columns: Description, R/L, Price. Includes 9 Pad, Pocket Short WB Champagne, Charcoal, Dove, Ivory, Sand.

Table with 3 columns: Description, R/L, Price. Includes 10 Ashtray Black, Black/Chrome, 11 Switch, Window, 12 Speaker, Tweeter To VIN G16017, From VIN G16018, 13 Speaker, Door #2 Trim Panel Removed, Not Included in R&R Trim Panel, 14 Grills, Speaker.

Table with 3 columns: Description, R/L, Price. Includes 15 Sun Blind, Front Short WB, Long WB, 16 Finisher, Sun Blind Short WB, Long WB, 17 Sun Blind, Rear To VIN G11231, From VIN G11232.

Table with 3 columns: Description, R/L, Price. Includes HARDWARE, Refinish Upper Hinge, Refinish Lower Hinge.

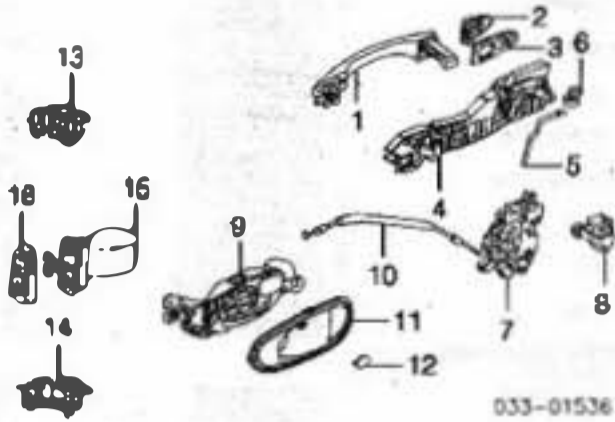




REAR DOOR Cont'd

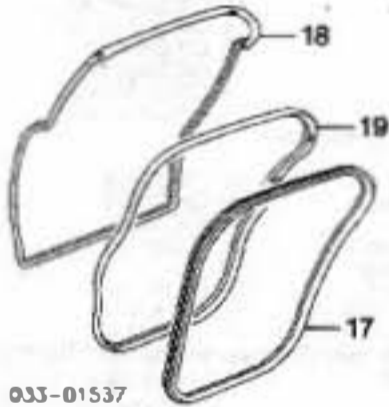
HARDWARE Cont'd

R&L Outside Handle ..... R/L 3



033-01536

1 Handle, Outer Door	R/L C2C022594	#3	21.20
2 Bezel, Outer Handle	R/L C2C020238	#3	13.10
3 Gasket, Outer Handle	R/L C2C022593	#3	4.85
<b>#R&amp;L One Side Complete</b>			
4 Housing, Handle	R/L C2C022599-9	#5	46.65
<b>#w/Trim Panel Removed, Includes R&amp;L/R&amp;R Outside Handle</b>			
5 Rod, Latch	R/L C2C003905-6		8.90
6 Clip, Rod	R/L C2S008834		.90
7 Latch, Door			
<b>w/Deadlock</b>			
<b>To VIN G24257</b>			
R/L C2C022975-8	#3	270.00	
<b>From VIN G24258</b>			
R/L C2C022975-6	#3	270.00	
<b>w/Deadlock</b>			
R/L C2C022977-8	#3	270.00	
<b>#w/Trim Panel Removed</b>			
8 Striker, Latch	R/L C2C019760	#3	19.45
9 Handle, Inside Door	R/L C2C005107-8	#3	59.80
<b>#w/Trim Panel Removed</b>			
10 Cable, Inside Handle Release			
<b>Short WB</b>			
R/L C2C022979		20.10	
<b>Long WB</b>			
R/L C2C022980		20.10	
11 Bezel, Inside Handle			
<b>w/Memory</b>			
R C2C005124		20.55	
L C2C005127		20.55	
<b>w/o Memory</b>			
R C2C005123		20.55	
L C2C005126		20.55	
12 Cover, Handle Screw	R/L C2C003982-3		1.20
13 Hinge, Upper Door	R/L C2C020741-2	#5	86.90
14 Hinge, Lower Door	R/L C2C020743-4	#5	86.90
<b>#w/Door Assy Removed</b>			
15 Check, Door	R/L C2C030793	#2	30.95
<b>#w/Trim Panel Removed</b>			
16 Seal, Door Check	R C2C004064		5.25
L C2C008037		4.00	



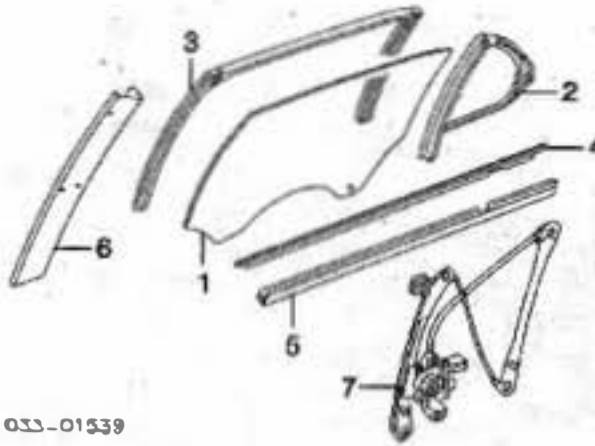
033-01537

17 Weatherstrip, Door	R/L C2C002468LEG	#5	107.45
<b>Gray listed, Order by Application</b>			
<b>Weatherstrip, Door Opening</b>			
18 Rear Inner-See Rocker/Pillars/Floor Section			
19 Rear Outer-See Rocker/Pillars/Floor Section			

GLASS & PARTS

Illustration Located in Next Column

1 Glass, Rear Door			
<b>Jaguar</b>			
<b>Short WB</b>			
R C2C004584	1.7	282.00	
L C2C004586	1.7	282.00	
<b>Long WB</b>			
<b>NAGS</b>			
R/L C2C020704-5	1.7	255.00	
<b>Short WB</b>			
R FD22123GTY	1.7	230.10	
L FD22124GTY	1.7	230.10	
<b>Long WB</b>			
R/L N.A.	1.7	0.00	
2 Glass, Vent			
<b>Jaguar</b>			
<b>6 Pin Body?</b>			
R/L C2C022841-2	#1.3	368.00	
R/L C2C022841-2	#1.3	368.00	



033-01539

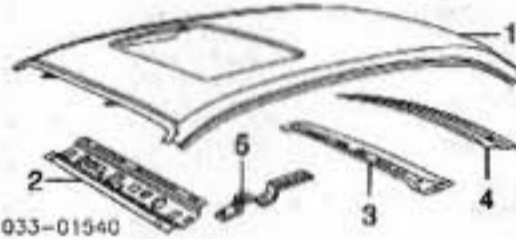
NAGS	R FV22125GTY	#1.3	725.05
	L FV22126GTY	#1.3	725.05
<b>Included in R&amp;R Door Glass</b>			
3 Channel, Glass			
<b>Short WB</b>			
<b>To VIN G15186</b>			
R/L C2C020203-4	.2	46.00	
<b>From VIN G15187</b>			
R/L C2C020203-4	.2	46.00	
<b>Long WB</b>			
R/L C2C011866-9	.2	43.35	
4 Moulding, Outer Belt-See Exterior Trim Section			
5 Moulding, Inner Belt-See Interior Trim Section			
6 Trim, Filler	R/L C2C003026-9	.2	27.35
7 Regulator, Window			
<b>Short WB</b>			
R/L C2C004435-8	#5	230.65	
<b>Long WB</b>			
R/L C2C011872-3	#5	269.00	
<b>#w/Trim Panel Removed</b>			

ROOF

Use Procedure Explanations 17 and 28 with the following text.

SHEET METAL

Refinish Roof Outside ..... 3.0

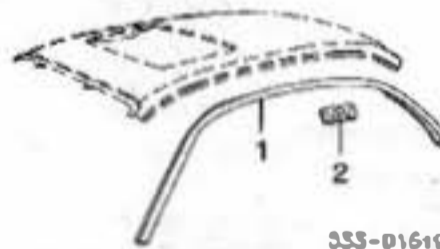


033-01540

1 Panel, Roof			
<b>Short WB</b>			
C2C018398	24.5	251.00	
<b>w/Sunroof</b>			
C2C001323	21.5	1250.00	
<b>Long WB</b>			
C2C022775	24.5	1130.00	
<b>w/Sunroof</b>			
C2C020643	21.5	1130.00	
2 Panel, Front Header	C2C007479	2.5	790.00
3 Bow, Roof	C2C001377	1.0	175.65
4 Panel, Rear Header	C2C007563	2.5	75.95
5 Bracket, Mounting	C2C019829		23.90

EXTERIOR TRIM

R&L Drip Moulding ..... R/L .5



033-01619

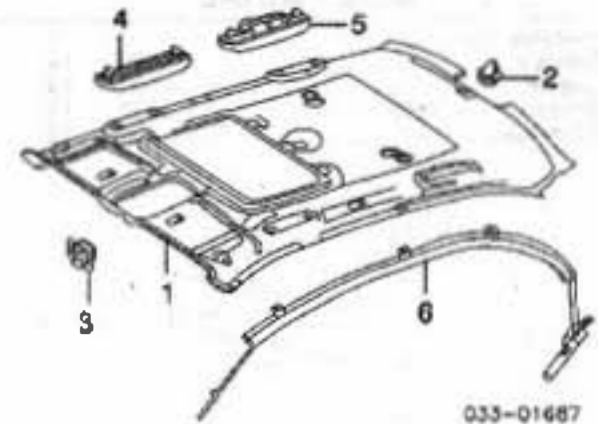
1 Moulding, Drip			
<b>Short WB</b>			
<b>Black</b>			
R C2C006483	.5	141.55	
L C2C006485	.5	141.55	
<b>Chrome</b>			
R C2C006482	.5	148.05	
L C2C006484	.5	148.05	
<b>Long WB</b>			
R C2C011874	.5	372.00	
L C2C011876	.5	372.00	
2 Clip, Moulding			
<b>Black (10/Side)</b>			
R/L C2C022561	.50		
<b>White (2/Side)</b>			
R/L C2C010152	1.15		

INTERIOR TRIM

R&L Headliner ..... #2.5

w/Sunroof ..... #2.0

#w/Windshield or Back Glass Removed



033-01687

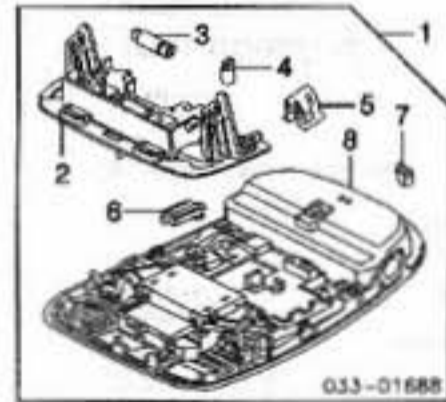
1 Headliner			
<b>w/Sunroof</b>			
<b>w/Microphone</b>			
<b>Short WB</b>			
<b>Champagne</b>			
C2C025786SEL	#2.5	575.00	
<b>Dove</b>			
C2C025786LHJ	#2.5	575.00	
<b>Gray</b>			
C2C025786LFJ	#2.5	575.00	
<b>Oatmeal</b>			
C2C025786AGD	#2.5	575.00	
<b>Long WB</b>			
<b>Champagne</b>			
C2C026782SEL	#2.5	780.00	
<b>Dove</b>			
C2C026782LHJ	#2.5	780.00	
<b>w/o Microphone</b>			
<b>Short WB</b>			
<b>Champagne</b>			
C2C025783SEL	#2.5	575.00	
<b>Dove</b>			
C2C025783LHJ	#2.5	575.00	
<b>Gray</b>			
C2C025783LFJ	#2.5	575.00	
<b>Oatmeal</b>			
C2C025783AGD	#2.5	575.00	
<b>Long WB</b>			
<b>Champagne</b>			
C2C026778SEL	#2.5	780.00	
<b>Dove</b>			
C2C026778LHJ	#2.5	780.00	
<b>w/o Sunroof</b>			
<b>w/Microphone</b>			
<b>Short WB</b>			
<b>Champagne</b>			
C2C025784SEL	#2.0	575.00	
<b>Dove</b>			
C2C025784LHJ	#2.0	575.00	
<b>Gray</b>			
C2C025784LFJ	#2.0	575.00	
<b>Oatmeal</b>			
C2C025784AGD	#2.0	575.00	
<b>Long WB</b>			
<b>Champagne</b>			
C2C026780SEL	#2.0	715.00	
<b>Dove</b>			
C2C026780LHJ	#2.0	715.00	
<b>w/o Microphone</b>			
<b>Short WB</b>			
<b>Champagne</b>			
C2C025782SEL	#2.0	575.00	
<b>Dove</b>			
C2C025782LHJ	#2.0	575.00	
<b>Gray</b>			
C2C025782LFJ	#2.0	575.00	
<b>Oatmeal</b>			
C2C025782AGD	#2.0	575.00	
<b>Long WB</b>			
<b>Champagne</b>			
C2C026776SEL	#2.0	715.00	
<b>Dove</b>			
C2C026776LHJ	#2.0	715.00	
<b>Order by Application</b>			
<b>#w/Windshield or Back Glass Removed</b>			
2 Clip, Headliner	C2C026806		70
3 Ring, Retaining	XR8024993		220
4 Handle, Front Grab	R/L C2C022638LFJ	#2	62.00
5 Handle, Rear Grab	R C2C022642LFJ	#2	119.15
L C2C022643LFJ	#2	119.15	

#Charcoal listed, Order by Application

6 Module, Side Curtain Air Bag-See Air Bag System Section

OVERHEAD CONSOLE

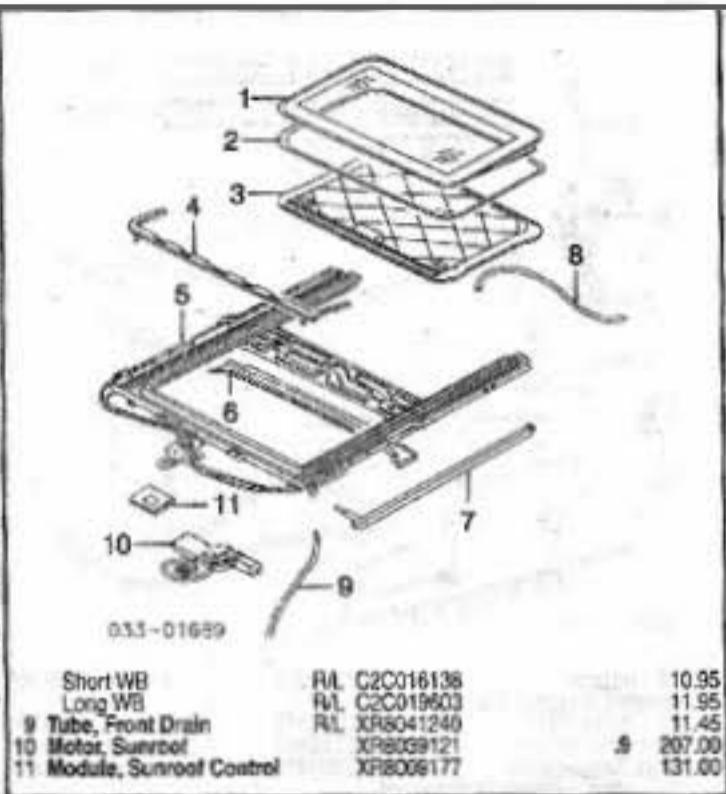
R&L Overhead Console Assy ..... 3



033-01688

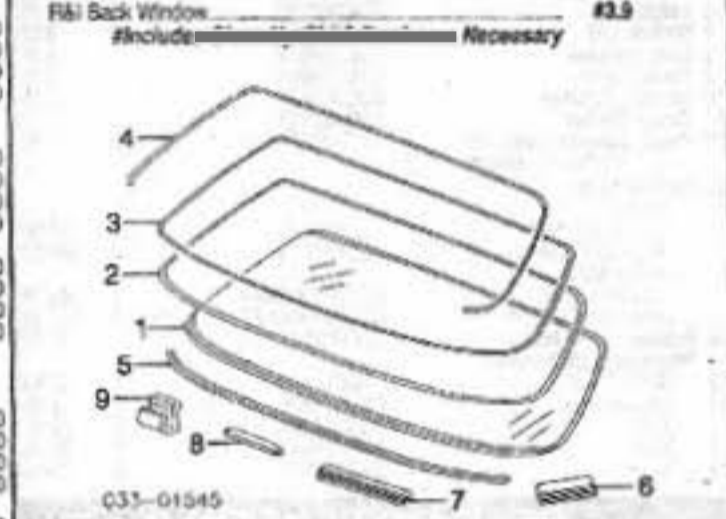
1 Console Assy, Overhead			
<b>w/Parking Aid</b>			
<b>w/Sun Blind</b>			
<b>w/Sunroof</b>			
<b>Cloth</b>			
<b>Champagne</b>			
C2C018628SEL	#3	775.00	
<b>Dove</b>			
C2C018628LHJ	#3	775.00	
<b>Gray</b>			
C2C018628LFJ	#3	810.00	
<b>Oatmeal</b>			
C2C018628AGD	#3	810.00	
<b>Veneer</b>			
<b>Champagne</b>			
C2C018676SEL	#3	685.00	
<b>Dove</b>			
C2C018676LHJ	#3	685.00	
<b>Gray</b>			
C2C018676LFJ	#3	985.00	
<b>Oatmeal</b>			
C2C018676AGD	#3	985.00	
<b>w/o Sunroof</b>			
<b>Cloth</b>			

Champagne	C2C018629SEL	3	775.00
Dove	C2C018629LHJ	3	775.00
Gray	C2C018629LFJ	3	610.00
Oatmeal	C2C018629AGD	3	610.00
Veneer			
Champagne	C2C018677SEL	3	885.00
Dove	C2C018677LHJ	3	665.00
Gray	C2C018677LFJ	3	965.00
Oatmeal	C2C018677AGD	3	965.00
w/ Sun Blind			
w/Sunroof			
Cloth			
Champagne	C2C018626SEL	3	760.00
Dove	C2C018626LHJ	3	760.00
Gray	C2C018626LFJ	3	595.00
Oatmeal	C2C018626AGD	3	595.00
Veneer			
Champagne	C2C018674SEL	3	488.00
Dove	C2C018674LHJ	3	655.00
Gray	C2C018674LFJ	3	945.00
Oatmeal	C2C018674AGD	3	945.00
w/o Sunroof			
Cloth			
Champagne	C2C018627SEL	3	760.00
Dove	C2C018627LHJ	3	760.00
Gray	C2C018627LFJ	3	595.00
Oatmeal	C2C018627AGD	3	595.00
Veneer			
Champagne	C2C018675SEL	3	488.00
Dove	C2C018675LHJ	3	655.00
Gray	C2C018675LFJ	3	945.00
Oatmeal	C2C018675AGD	3	945.00
w/o Parking Aid			
w/Sun Blind			
w/Sunroof			
Cloth			
Champagne	C2C018624SEL	3	760.00
Dove	C2C018624LHJ	3	760.00
Gray	C2C018624LFJ	3	595.00
Oatmeal	C2C018624AGD	3	595.00
Veneer			
Champagne	C2C018672SEL	3	665.00
Dove	C2C018672LHJ	3	665.00
Gray	C2C018672LFJ	3	945.00
Oatmeal	C2C018672AGD	3	945.00
w/o Sunroof			
Cloth			
Champagne	C2C018625SEL	3	760.00
Dove	C2C018625LHJ	3	760.00
Gray	C2C018625LFJ	3	595.00
Oatmeal	C2C018625AGD	3	595.00
Veneer			
Champagne	C2C018673SEL	3	488.00
Dove	C2C018673LHJ	3	655.00
Gray	C2C018673LFJ	3	945.00
Oatmeal	C2C018673AGD	3	945.00
w/o Sun Blind			
w/Sunroof			
Cloth			
Champagne	C2C018623SEL	3	725.00
Dove	C2C018623LHJ	3	725.00
Gray	C2C018623LFJ	3	790.00
Oatmeal	C2C018623AGD	3	790.00
Veneer			
Champagne	C2C018671SEL	3	488.00
Dove	C2C018671LHJ	3	655.00
Gray	C2C018671LFJ	3	925.00
Oatmeal	C2C018671AGD	3	925.00
w/o Sunroof			
Cloth			
Champagne	C2C018622SEL	3	725.00
Dove	C2C018622LHJ	3	725.00
Gray	C2C018622LFJ	3	790.00
Oatmeal	C2C018622AGD	3	790.00
Veneer			
Champagne	C2C018670SEL	3	488.00
Dove	C2C018670LHJ	3	655.00
Gray	C2C018670LFJ	3	925.00
Oatmeal	C2C018670AGD	3	925.00
Order by Application			
2 Holder, Socket (a)	C2S002298		10.40
3 Bulb, Courtesy (a)	C2S010346	.1	1.95
4 Bulb, Map (a) (2)	C2S015960	.1	1.80
5 Clip, Console (a)	C2S020902		2.19
6 Microphone (a)	C2S015696		82.40
7 Latch, Door (a)	XR9030630		14.40
8 Holder, Sunglass (a)	XR9048004		19.95
(a) Included w/Overhead Console Assy			



**BACK WINDOW**

Use Procedure Explanation 19 with the following text.



Short WB	R/L C2C016138	10.95
Long WB	R/L C2C019603	11.95
9 Tube, Front Drain	R/L XR9041240	11.45
10 Motor, Sunroof	XR9039121	207.00
11 Module, Sunroof Control	XR9039177	131.00

**QUARTER PANEL**

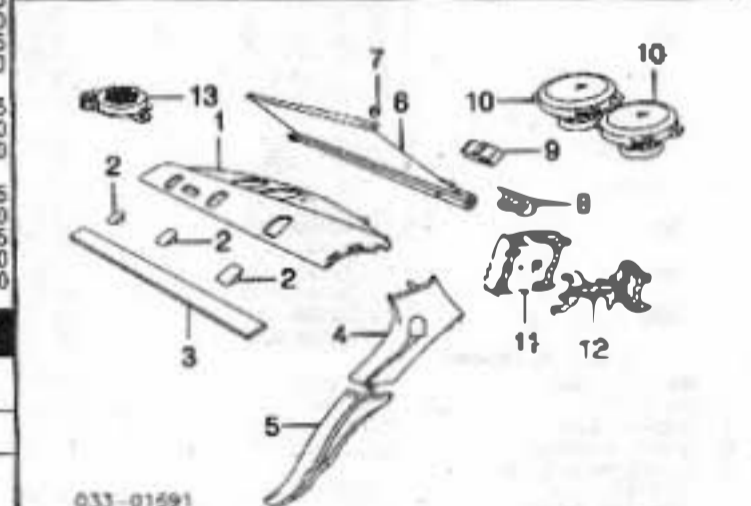
Use Procedure Explanations 20 and 28 with the following text.

Refinish Quarter Panel Outside	R/L	2.0
Add to Edge Panel	R/L	.5
Add for Pillar	R/L	.5
Refinish Fuel Door		4.4
<i>Included in Refinish Quarter Panel</i>		
R&R Both Quarters		26.3
R&R Roof & Both Quarters		
w/Sunroof		48.6
w/o Sunroof		45.8
R&R Both Quarters & Rear Body Panel		30.1
R&R Roof, Both Quarters & Rear Body Panel		
w/Sunroof		51.1
w/o Sunroof		48.1
Add to R&R Quarter Panel		
To R&L Back Glass		.3



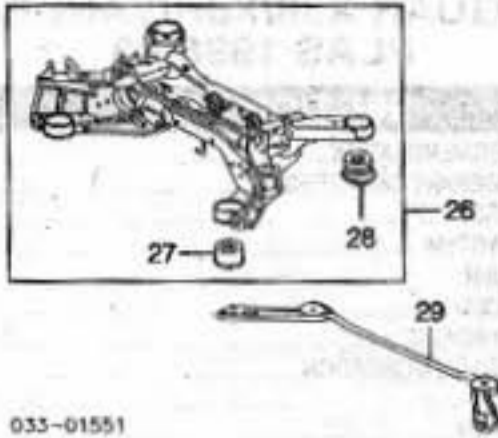
1 Panel, Quarter	R C2C007487	#17.0	790.00
	L C2C007477	#16.5	790.00
<i>#Deduct 4.0 w/Roof Removed. Deduction Includes Common Surfaces &amp; Included Operations</i>			
2 Panel, Inner Quarter	R C2C007597	7.5	760.00
Short WB	L C2C007598	7.5	470.00
Long WB	R/L C2C022778-9	2.0	427.00
3 Wheelhouse, Inner	R/L C2C021980-1	2.0	256.00
4 Wheelhouse Assy, Outer	R/L C2C007484-5	2.0	200.00
Rivet (a)			
6x15.8mm	R/L C2C012329		2.75
6x20mm	R/L C2C019133		1.90
<i>Included w/Outer Wheelhouse Assy</i>			
<i>(a) As Required</i>			
5 Shield, Rear Splash	R/L C2C001573-4	.9	69.06
6 Extension, Quarter	R C2C007478	2.5	132.10
	L C2C007513	2.0	78.16
7 Panel, Drain	R/L C2C020174-5	1.5	109.25
8 Reinf, Drain Panel	R/L C2C002068-9		12.80
9 Bracket, Lower Mig	R/L C2C021260		26.35
Rivet (a)			
1.5mm to 3.5mm	R/L C2S011487		2.25
2.8mm to 4.8mm	R/L C2C007792		1.10
4.8mm to 6.8mm	R/L C2C010349		2.05
4.6mm to 8.8mm	R/L C2C009818		1.80
8.8mm to 10.8mm	R/L C2C009966		2.10
Rivet, Self Piercing (a)			
4.8x5.0mm	R/L C2C0020589		.65
4.8x7.0mm	R/L C2C020590		.45
4.8x8.0mm	R/L C2C020591		.65
4.8x8.5mm	R/L C2C020582		.40
4.8x9.5mm	R/L C2C020594		.40
<i>(a) As Required</i>			
10 Door, Fuel	R C2C004093	.3	29.05
11 Housing, Filler Pipe	R C2C004091	.8	22.40
12 Pin, Retainer	R C2S005825		1.15
13 Cable, Fuel Door Release	R C2C024614	1.3	49.95
14 Actuator, Fuel Door Release	R C2C004240		151.00
15 Vent, Pressure	L C2S010344	.2	10.15

**INTERIOR TRIM**



1 Trim, Package Tray (a)			
w/Sun Blind			
w/Rear Speaker			
Bench Seat			
Champagne	C2C024716SEL	4.5	425.00
Charcoal	C2C024716LEG	4.5	472.00
Dove	C2C024716LHJ	4.5	472.00
Ivory	C2C024716NED	4.9	472.00
Sand	C2C024716ADX		472.00
Split Bench Seat			
Champagne	C2C024716SEL	4.5	472.00
Charcoal	C2C021899LEG	4.5	472.00

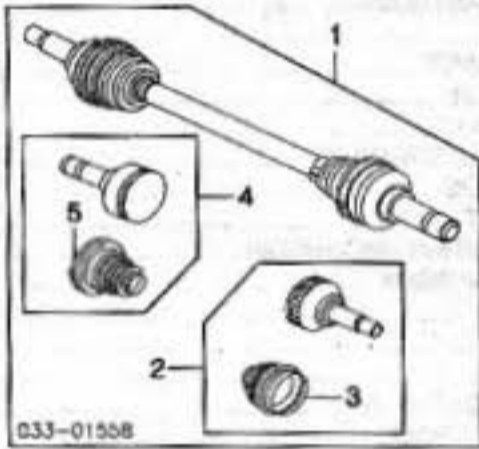




033-01551

**REAR DRIVE AXLE**

R&I Axle Shaft Assy ..... R/Lm #1.0  
 #w/Necessary Suspension Components Removed



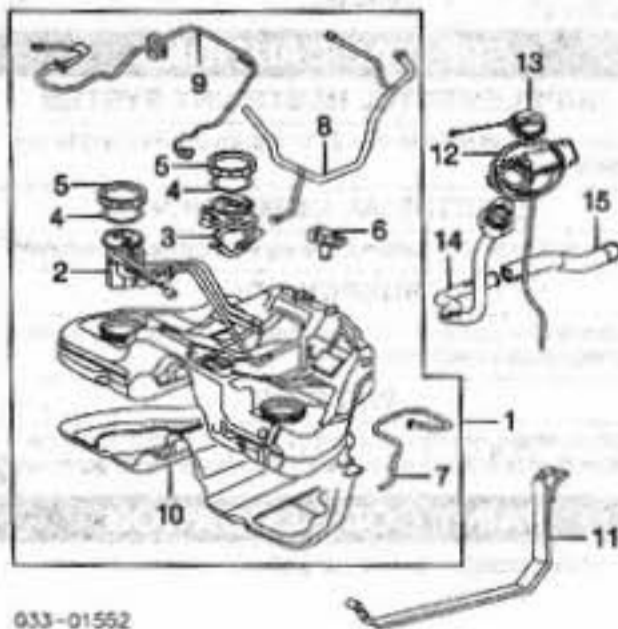
033-01558

1	Axis Assy, Rear w/Supercharger	R C2C022689	m	#1.2	870.00
		L C2C022871	m	#1.2	870.00
	w/o Supercharger	R C2C022868	m	#1.2	870.00
		L C2C022870	m	#1.2	870.00
<b>#w/Necessary Suspension Components Removed</b>					
2	Joint Assy, Outer <sup>(1)</sup> w/o Supercharger	R/L C2C005711	m	#8.5	170.50
		R/L C2C006710	m	#8.5	168.50
3	Boot, Outer <sup>(a)</sup> w/o Supercharger	R/L C2C005707	m	#8.8	54.75
	w/ Supercharger	R/L C2C005705	m	#8.8	54.75
	<b>(a) Included w/Outer Joint Assy</b>				
4	Joint Assy, Inner <sup>(1)</sup> w/o Supercharger	R/L C2C005709	m	#9.5	167.00
	w/ Supercharger	R/L C2C005708	m	#9.5	168.50
5	Boot, Inner <sup>(b)</sup> w/o Supercharger	R/L C2C005707	m	#6.5	54.75
	w/ Supercharger	R/L C2C005705	m	#6.5	54.75
	<b>(b) Included w/Inner Joint Assy</b>				
	<b>(c) Included w/Inner Joint Assy</b>				
	<b>#R&amp;R One Side Complete, w/Axle Shaft Assy Removed</b>				

**FUEL TANK**

R&I Fuel Tank Assy ..... 4.2

NOTE: R&R Does Not Include Drain and w/Fill



033-01552

1	Tank Assy, Fuel w/Supercharger w/o Supercharger	C2C005595 C2C028184	m	4.4	1090.00
2	Pump, Fuel <sup>(1)</sup> w/Supercharger To VIN G27197	R C2C025698 L C2C027256	m	#1.6	477.00
	From VIN G27198	R C2C024185 L C2C024188	m	#1.3	477.00
	<b>#R&amp;R Complete, Included in R&amp;R Fuel Tank</b>				
	w/o Supercharger	C2C024184	m	FL8	477.00
	<b>#Included in R&amp;R Fuel Tank</b>				
3	Sender, Fuel <sup>(1)</sup>	C2C024183	m		66.75
4	Seal, Pump/Sender <sup>(1)</sup> w/ Supercharger (3)	XR8005049			5.75
	w/o Supercharger (2)	XR8005049			5.75
5	Ring, Retaining <sup>(1)</sup> w/ Supercharger (3)	XR8007952			6.65
	w/o Supercharger (2)	XR8007952			6.65
6	Transducer, Tank <sup>(1)</sup>	C2C001240	m		174.00
7	Hose, Fuel <sup>(1)</sup> w/ Supercharger	C2C009390			65.50
	w/o Supercharger	C2C009997			65.50
8	Pipe, Vapor <sup>(1)</sup>	C2C025671			93.75
9	Harness, Fuel Sender/Pump <sup>(1)</sup>	C2C001227			0.00
10	Shield, Fuel Tank <sup>(1)</sup>	C2C021254			127.00
	<b>(1) Included w/Fuel Tank Assy</b>				
11	Strap, Fuel Tank	R C2C006847 L C2C002028			14.35
12	Housing, Filler Pipe-See Quarter Panel Section				15.25
13	Cap, Filler	XR8019278			58.25
14	Pipe, Filler	C2C002185			11.25
15	Hose, Filler	C2C002187			

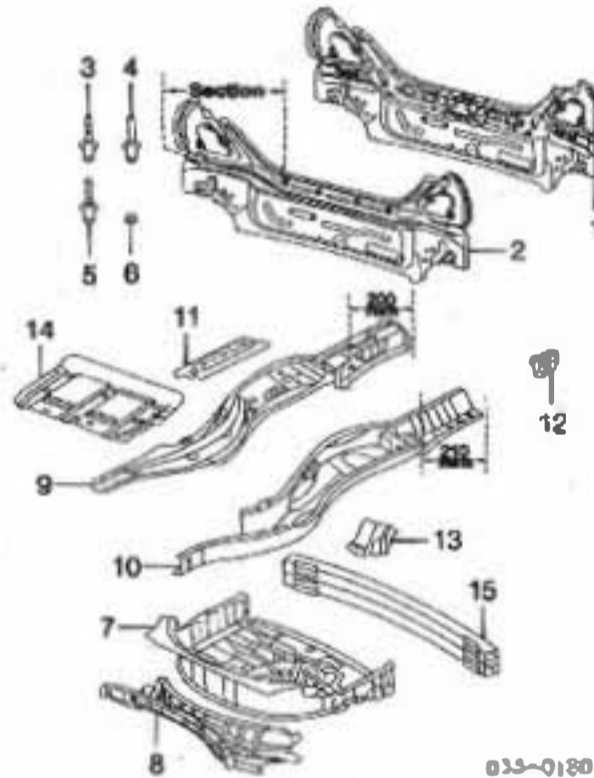
**REAR BODY**

Use Procedure Explanations 26 and 28 with the following text.

**SHEET METAL**

Refinish Rear Body Panel	1.5
Add for Edge & Inside	.8
Refinish Rear Floor Panel	1.2
Refinish Frame Rail	R/L 1.5
Section Rear Body Tail Lamp Opening	R/L 3.5
Section Frame Rail Complete	R/L 6.0

NOTE: For sectioning methods refer to Manufacturer's Body Repair Procedures.

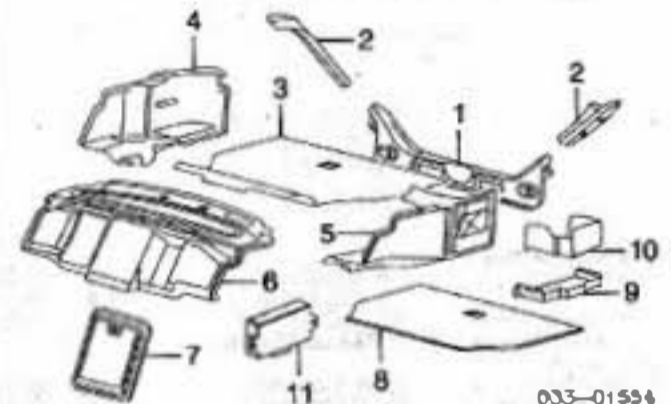


033-01801

Panel, Rear Body				
1	w/Crossmember	C2C007466	#8.5	385.00
2	w/o Crossmember	C2C019829	#10.5	387.00
	<b>#Deduct 2.5 for Each Quarter Panel Removed, Deduction Includes Common Surfaces &amp; Included Operations</b>			
Rivet, Rear Panel <sup>(1)</sup>				
3	1.5mm to 3.5mm	C2S011487		2.25
4	4.8mm to 6.8mm	C2C010349		2.05
5	6.8mm to 8.8mm	C2C006818		1.50
6	4.8mm x 5.0mm	C2C020689		.65
	<b>#As Required</b>			
7	Panel Assy, Floor	C2C005420	#6.5	1120.00
Rivet <sup>(1)</sup> (a)				
	4.8x13.5mm	C2C009428		1.20
	6x24mm	C2C014179		2.10
	6.5mm to 8.8mm	C2C009818		1.80
	<b>#As Required</b>			
	<b>(a) Included w/Floor Panel Assy</b>			
	<b>#w/Rear Body Panels Removed</b>			
8	Reinforcement Assy, Floor	C2C007482	2.5	229.70
Rivet <sup>(1)</sup> (b)				
	4.8x13.5mm	C2C009428		1.20

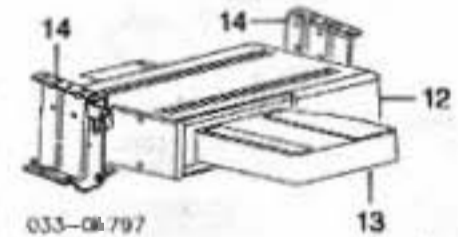
6x15.8mm	C2C012329			2.75
<b>#As Required</b>				
<b>(b) Included w/Floor Reinforcement Assy</b>				
Rail Assy				
9	Inner	R/L C2C005426-7	#15.5	175.65
10	Outer	R C2C005424 L C2C005425	#15.5	175.65
			#15.5	241.05
<b>#R&amp;R One Side Complete, w/Floor Removed Deduct 1.5</b>				
Rivet <sup>(1)</sup> (c)				
	4.8x13.5mm	R/L C2C009428		1.20
	6x15.11mm	R/L C2C010348		.80
	6x24mm	R/L C2C014179		2.10
	<b>#As Required</b>			
	<b>(c) Included w/Rail Assy</b>			
11	Extension Assy, Rear Rail	R C2C007483 L C2C007525	1.5	269.00
			1.5	288.00
Rivet <sup>(1)</sup> (d)				
	2.8mm to 4.8mm	R/L C2C007792		1.10
	4.8mm to 6.8mm	R/L C2C010349		2.05
	6.8mm to 8.8mm	R/L C2C009818		1.80
	4.8x13.5mm	R/L C2C009428		1.20
	6x15.11mm	R/L C2C010348		.90
	6x24mm	R/L C2C014179		2.10
	<b>#As Required</b>			
	<b>(d) Included w/Rear Rail Extension Assy</b>			
12	Damper, Rear Mounting	R/L C2C002073-4		679.95
13	Reinforcement, Rail	R/L C2C002206-7	1.0	75.70
14	Reinforcement, Front Panel	C2C006551		86.90
15	Bar, Impact-See Rear Bumper Section			

**INTERIOR TRIM**



033-01594

1	Trim, Rear Body Lower	C2C025407	3	29.80
2	Trim, Upper Rear Body	R C2C022524 L C2C022525	2	18.25
		C2C022467		67.25
3	Cover, Trunk Floor	C2C022467	3	151.20
4	Trim, Right Side	C2C022849	3	161.95
5	Trim, Left Side <sup>(1)</sup> w/Navigation System	C2C020232	3	76.40
	w/o DVD Player	C2C020231	3	76.40
	w/o Navigation System	C2C020233	3	162.50
	w/o DVD Player	C2C028108	3	111.40
	<b>#Order by Application</b>			
6	Panel, Trunk Partition w/Ski Storage	C2C007950	4	91.75
	w/o Ski Storage	C2C024444	4	63.10
7	Hatch, Ski Storage	C2C014861		22.00
8	Cover, Spare Wheel Box, Storage	C2C003635		62.90
9	Small	C2C018390		28.85
10	Large	C2C010715		48.85
11	Module, Park Distance 4 Channel	C2C020021	3	126.35
	8 Channel	C2C020022	3	126.35



033-08797

12	Changer, CD	C2C018740	7	550.00
13	Magazine, CD	C2S014403		60.00
14	Bracket, Side	R C2C001549 L C2C020763		8.25
				10.30

**REAR LAMPS**

**COMBINATION LAMP**

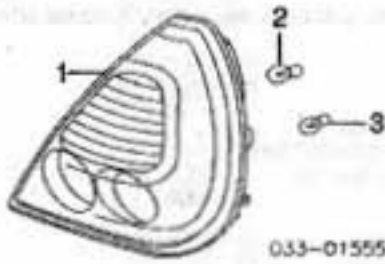
R&I Combination Lamp ..... R/L 3

Illustration Located in Next Column

1	Lamp, Combination Black	R C2C024649 L C2C024651	3	216.75
			3	216.75

**REAR LAMPS Cont'd**

**COMBINATION LAMP Cont'd**

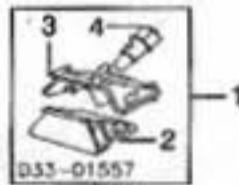


033-01555

Chrome To VIN G25515	R C2C024648	.3	218.75
	L C2C024650	.3	218.75
From VIN G25516	R C2C024648	.3	218.75
	L C2C024650	.3	218.75
2 Bulb, Stop/Signal (2/Side)	R/L C2S015076	#.2	10.55
3 Bulb, Back-Up	R/L D9C011382	#.2	2.40
<i>#R&amp;R One Side Complete, Included in R&amp;R Lamp</i>			

**LICENSE LAMP**

R&L License Lamp Assy	R/L	#.4	
<i>#R&amp;R Both, Included in R&amp;R Lid Finisher</i>			

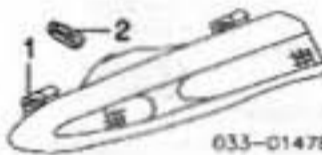


033-01557

1 Lamp Assy, License To VIN G28117	R C2C022827	#.4	71.50
	L C2C006548	#.4	78.75
From VIN G28118	R/L C2C022827-8	#.4	71.50
<i>#R&amp;R Both, Included in R&amp;R Lid Finisher</i>			
2 Lens, Lamp			
To VIN G28117	R/L C2C009643-4	.1	24.30
From VIN G28118	R/L C2C022834-5	.3	21.95
3 Housing, Lamp	R/L XFR0025715	.3	4.75
4 Bulb, Lamp	R/L XFR005890	.3	1.15
<i>Included w/ License Lamp Assy</i>			

**SIDE MARKER LAMP**

R&L Side Marker Lamp	R/L	.2	
----------------------	-----	----	--



033-01478

1 Lamp, Side Marker	R/L C2C000049-50	#.2	50.60
2 Bulb, Side Marker	R/L C2S015074	#.2	.75
<i>#R&amp;R One Side Complete</i>			

**HIGH MOUNT STOP LAMP**



033-01556

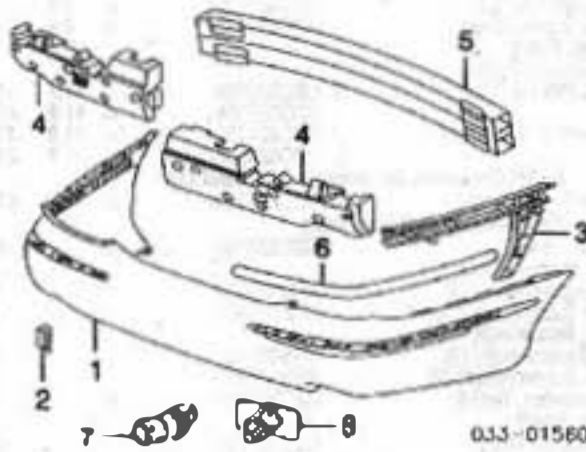
1 Lamp, High Mount Stop			
Champagne	C2C022515SEL	.3	105.10
Dove	C2C022515LHJ	.3	105.10
Gray			
To VIN G34526	C2C010013LFJ	.3	111.50
From VIN G34527	C2C022515LFJ	.3	105.10
Oatmeal			
To VIN G34526	C2C010013AGD	.3	111.50
From VIN G34527	C2C022515AGD	.3	105.10

**REAR BUMPER**

*Use Procedure Explanations 27 and 28 with the following text.*

Refinish Rear Cover	2.5
Refinish Parking Aid Sensor	.3
R&L Bumper Assy	1.2
OH Bumper Assy (Includes R&L)	1.8
R&R Parking Sensors Complete	.4
Add to R&R or OH Rear Bumper w/Parking Aid	.3

**NOTE:** All Parts in this section are included in overhaul unless noted otherwise.



033-01560

1 Cover, Rear (P)	C2C024781XXX	1.8	715.00
<i>(P) Paint to Match</i>			
2 Retainer, Cover (7)	C2S011341		2.20
3 Bracket, Rear Cover	R C2C026700		41.80
	L C2C004655		41.90
4 Absorber, Impact	R C2C001900		92.85
	L C2C001606		92.85
5 Bar, Impact	C2C003297	10H	294.00
6 Moulding, Bumper	R/L C2C001584-5	.2	150.75
7 Sensor, Parking Aid (P) (4)	C2C021643XXX	#.2	89.20
<i>(P) Paint to Match #w/Rear Cover Removed</i>			
8 Bracket, Sensor			
Outer	R C2C001583		5.70
	L C2C001589		5.05
Inner	R C2C001587		5.70
	L C2C001585		5.70

**JAGUAR XJ8/XJR/VANDEN PLAS 1998-03**

**SECTION INDEX**

A/C HEATER/VENTILATION	726
A/C REFRIGERANT CAPACITIES	726
ABS/BRAKES	728
AIR BAG SYSTEM	728
AIR CLEANER	731
BACK WINDOW	730
CENTER CONSOLE	734
CLEAR COAT IDENTIFICATION	725
COOLING	726
COWL & DASH	733
CRUISE CONTROL SYSTEM	729
ELECTRICAL	732
EMISSION SYSTEM	732
ENGINE OIL COOLER	728
ENGINE/TRANS	731
ENGINE/TRANS MOUNTS	731
EXHAUST	732
FRONT BUMPER	725
FRONT DOOR	737
FRONT FENDER	727
FRONT INNER STRUCTURE	727
FRONT LAMPS	725
FRONT SEAT	736
FRONT STEERING LINKAGE/GEAR	730
FRONT SUSPENSION	729
FUEL TANK	742
GRILLE	725
HOOD	726
INFORMATION LABELS	725
INSTRUMENT PANEL	734
LUGGAGE LID	746
PAINT CODE LOCATION	734
QUARTER GLASS	740
QUARTER PANEL	740
REAR BODY	742
REAR BUMPER	743
REAR CONSOLE	735
REAR DOOR	738
REAR DRIVE AXLE	742
REAR LAMPS	743
REAR SEAT	736
REAR SUSPENSION	741
ROCKER/PILLARS/FLOOR	735
ROOF	739
SEAT BELTS	736
SPECIAL CAUTIONS	724
STEERING PUMP	730
STEERING WHEEL/COLUMN	730
SUNROOF	735
SUPERCHARGER/INTERCOOLER	732
UNDERHOOD DIMENSIONS	727
WHEEL	729
WINDSHIELD	733

**SPECIAL CAUTIONS**

**SUPPLEMENTAL RESTRAINT SYSTEM**

Refer to Procedure Explanation 29 for Supplemental Restraint/Air Bag Special Cautions.

**ELECTRICAL COMPONENTS**

Ignition must be in off position before any electrical repair is performed.

**SUSPENSION**

Manufacturer advises that some new fasteners must be used whenever old fasteners are loosened or removed.

**WELDING**

Before initiating any repair involving the use of an electric welder, the ignition must be in the off position and both battery terminals disconnected.

**PAINT CODE LOCATION**

Paint code located on left front door jamb.