




# Restraints Control Module (RCM) (76.73.48)

## Removal

- 1  **WARNING:** To avoid accidental deployment and possible personal injury, the backup power supply must be depleted before repairing or replacing any air bag supplemental restraint system (SRS) components. To deplete the backup power supply energy, disconnect the battery ground cable and wait one minute. Failure to follow this instruction may result in personal injury.

 **WARNING:** A restraints control module (RCM) only requires replacement if the system has incurred five separate deployments. At no time change the RCM for less than five separate deployments.

 **CAUTION:** Electronic modules are sensitive to static electrical charges. If exposed to these charges, damage may result.

### NOTE:

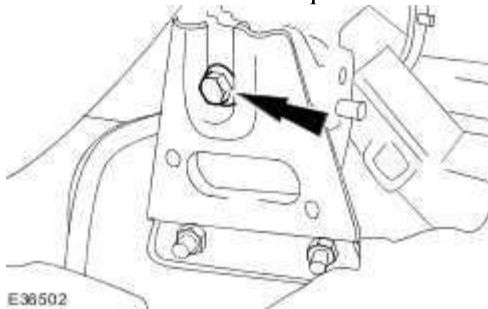
Repair is made by replacement only. If a part is replaced and the new part does not correct the condition, install the original part and carry out the diagnostic procedure again.

Disconnect the battery ground cable.

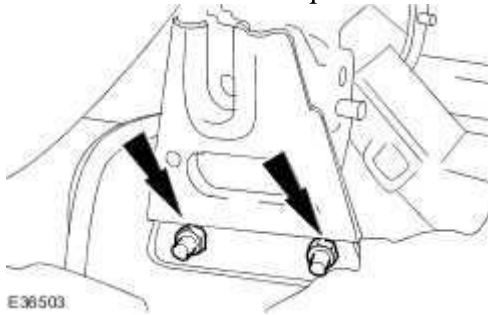
For additional information, refer to Battery Ground Cable (86.15.19)

- 2 Remove the floor console.
  - For additional information, refer to Floor Console - Vehicles Without: Auxiliary Climate Control (76.25.01)
  - For additional information, refer to Floor Console - Vehicles With: Auxiliary Climate Control (76.25.01)

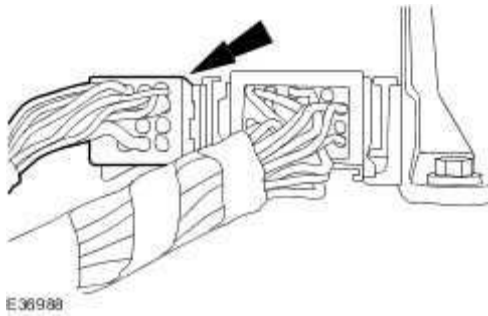
- 3 . Remove the instrument panel bracket retaining bolt.



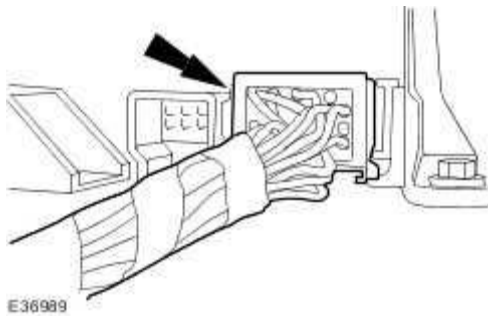
4 . Remove the instrument panel bracket retaining nuts.



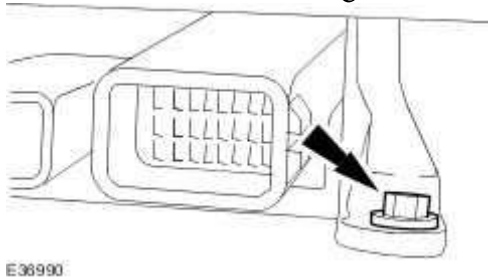
5 . Disconnect the electrical connector.



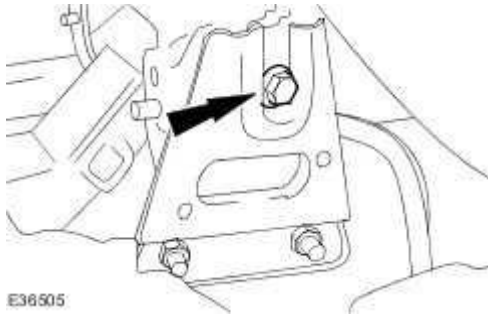
6 . Disconnect the electrical connector.



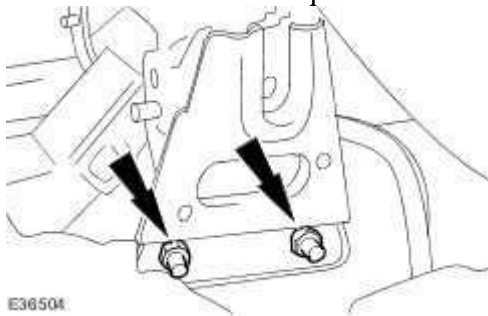
7 . Remove the RCM retaining bolt.



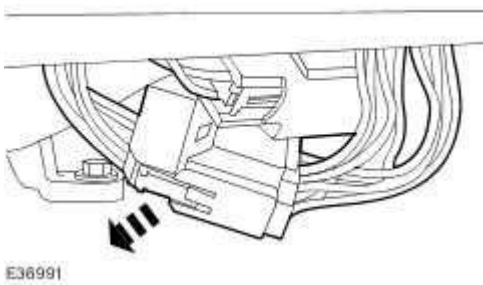
8 . Remove the instrument panel bracket retaining bolt.



9 . Remove the instrument panel bracket retaining nuts.



10 . Displace the multiplugs to gain access to the RCM retaining bolts.



11 . Remove the RCM.

- 1) Remove the RCM retaining bolts.
- 2) Remove the RCM.

