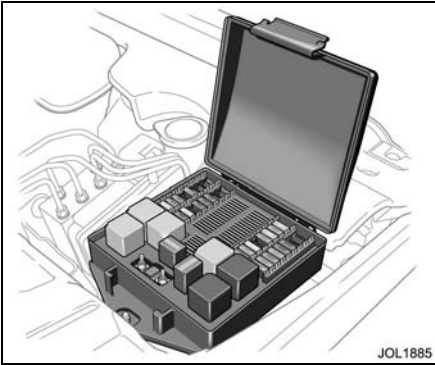


6-22 Roadside Emergency



Fuse Box Locations

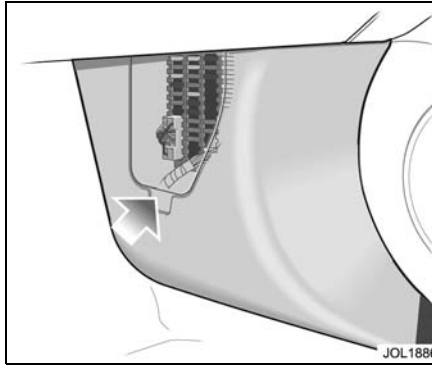
There are three separate fuse boxes fitted to the vehicle, each one containing fuses protecting a different group of circuits.

Engine compartment fuse box

The fuse box is located in the engine compartment on the right-hand side adjacent to the windscreen wash reservoir.

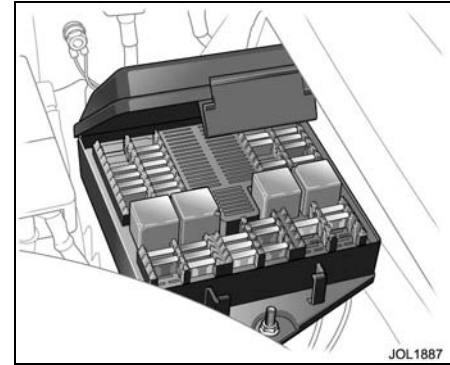
Remove the fuse box lid by pressing the spring catch and lifting.

When refitting, press the fuse box lid in the area of the retaining lugs until the lid engages.



Cabin fuse box

The cabin fuse box is located behind the right-hand side trim panel in the footwell. To access the fuse box, pull out the bottom of the trim panel (arrowed), slide the panel down slightly and remove.



Trunk fuse box

A fuse box is located in the trunk, situated behind the battery.

Open the trunk floor panel to gain access to the fuse box.

Remove the fuse box lid by pulling the retaining clips and pulling the lid upwards.

Reposition the lid and press down until the retaining clips engage.

Replace the floor panel.

Fuse Positions

A – Trunk fuse box

B – Cabin fuse box

C – Engine compartment fuse box

