

## Pin out voltages of L/H Rear Lamp connector (Disconnected from lamp assy)

Wire Ref/Colour	Lamp Connector Pin Number	Ignition Off	Ignition On	Ignition On Reverse Selected
<b>BK/OR</b> CA63-2	CA10-3	0Vdc	0Vdc	0Vdc
<b>BK/WH</b> CA63-4	CA10-1	0Vdc	0Vdc	0Vdc
<b>BK/GN</b> CA63-7	CA10-7	12Vdc	12Vdc	12Vdc
<b>BK/WH</b> CA63-3	CA10-5	0Vdc	0Vdc </td <td>0Vdc</td>	0Vdc
<b>BK/GN</b> <b>CA63-9</b>	CA10-4	12Vdc	12Vdc (+ve)	0Vdc (-ve)

**CA63-9** - LH REVERSE LAMP ACTIVATE: TO ACTIVATE REM SWITCHES CIRCUIT TO GROUND  
REM = (Rear Electronic Module)

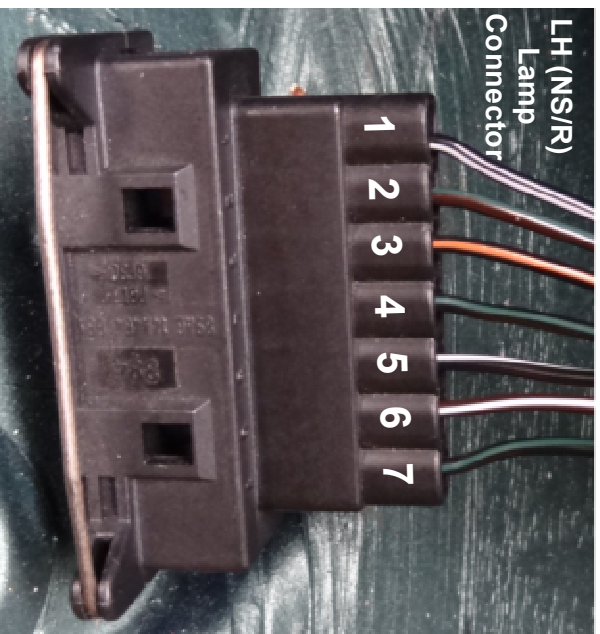
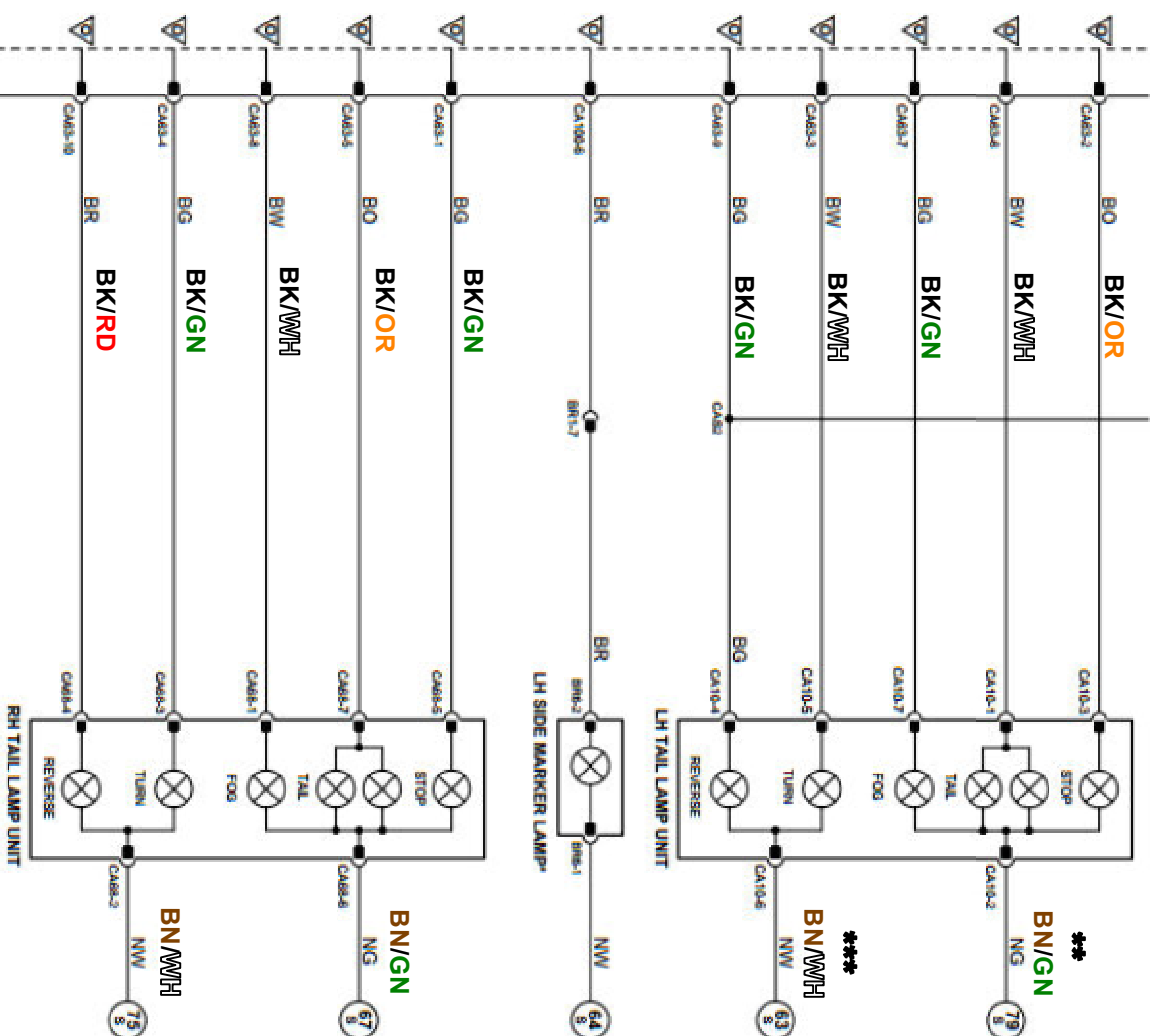
\*\* CA10-2 **BN/GN** 12Vdc in all three conditions

\*\*\* CA10-6 **BN/WH** 12Vdc in all three conditions

**CA63-9** BK/GN changes from +ve(Live) to -ve(Ground) when the ignition is on and reverse gear is selected.

## Jaguar S Type 3.0 SE 2005MY (RHD)

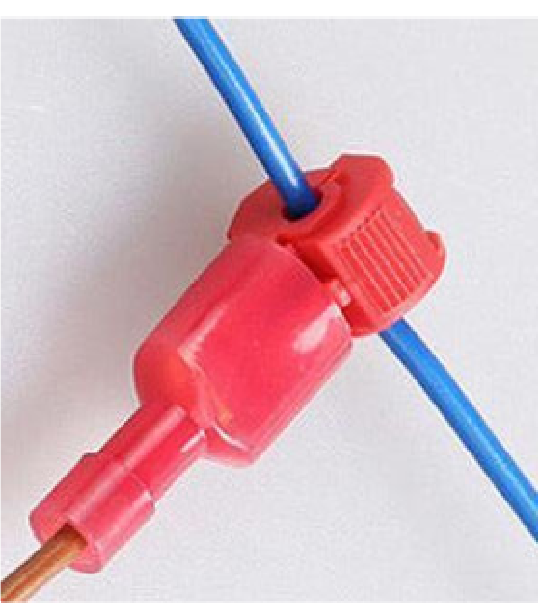
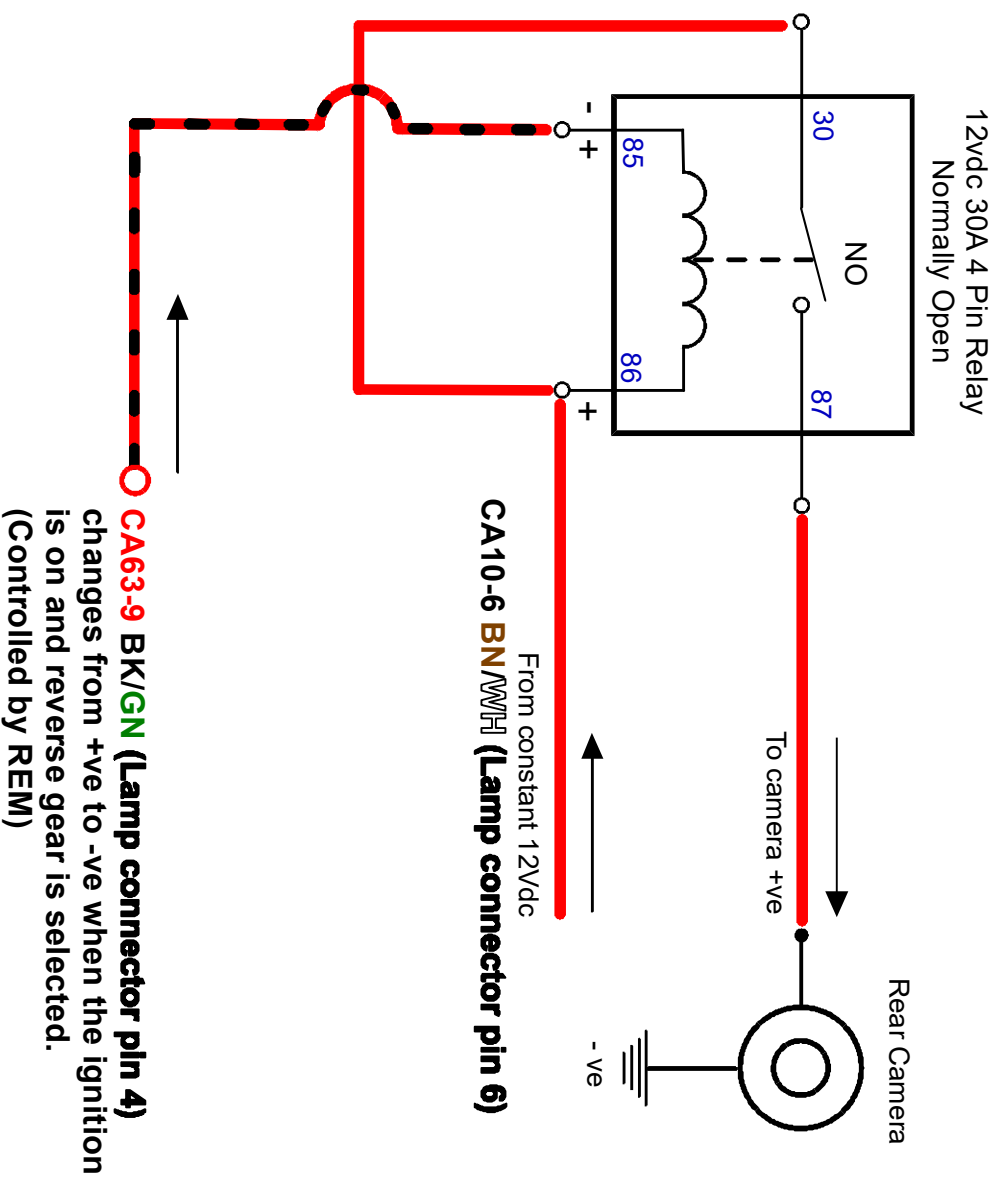
### Rear Lamp Clusters R/H - L/H



## Rear Electronic Module

Pin	Description and Characteristic
0	CA63-1 RH STOP LAMP ACTIVATE: TO ACTIVATE, REM SWITCHES CIRCUIT TO GROUND
0	CA63-2 LH STOP LAMP ACTIVATE: TO ACTIVATE, REM SWITCHES CIRCUIT TO GROUND
0	CA63-3 LH REAR TURN SIGNAL ACTIVATE: TO ACTIVATE, REM SWITCHES CIRCUIT TO GROUND (PULSED)
0	CA63-4 RH REAR TURN SIGNAL ACTIVATE: TO ACTIVATE, REM SWITCHES CIRCUIT TO GROUND (PULSED)
0	CA63-5 RH TAIL LAMPS ACTIVATE: TO ACTIVATE, REM SWITCHES CIRCUIT TO GROUND
0	CA63-6 LH TAIL LAMPS ACTIVATE: TO ACTIVATE, REM SWITCHES CIRCUIT TO GROUND
0	CA63-7 LH REAR FOG LAMP ACTIVATE: TO ACTIVATE, REM SWITCHES CIRCUIT TO GROUND
0	CA63-8 RH REAR FOG LAMP ACTIVATE: TO ACTIVATE, REM SWITCHES CIRCUIT TO GROUND
0	CA63-9 LH REVERSE LAMP ACTIVATE: TO ACTIVATE, REM SWITCHES CIRCUIT TO GROUND
0	CA63-10 RH REVERSE LAMP ACTIVATE: TO ACTIVATE, REM SWITCHES CIRCUIT TO GROUND
0	CA63-17 HIGH-MOUNTED STOP LAMP ACTIVATE: TO ACTIVATE, REM SWITCHES CIRCUIT TO GROUND
0	CA100-5 LICENSE PLATE LAMPS ACTIVATE: TO ACTIVATE, REM SWITCHES CIRCUIT TO GROUND
0	CA100-6 LH REAR SIDE MARKER LAMP ACTIVATE: TO ACTIVATE, REM SWITCHES CIRCUIT TO GROUND
0	CA100-12 RH REAR SIDE MARKER LAMP ACTIVATE: TO ACTIVATE, REM SWITCHES CIRCUIT TO GROUND
B+	CA101-3 BATTERY POWER SUPPLY: B+
S	CA102-1 SCP +
S	CA102-2 SCP -
PG	CA102-12 POWER GROUND: GROUND
I	CA102-13 BRAKE ON / OFF SWITCH (NORMALLY OPEN): OPEN CIRCUIT / B+
PG	CA103-11 POWER GROUND: GROUND
PG	CA103-12 POWER GROUND: GROUND
PG	CA103-25 POWER GROUND: GROUND
PG	CA103-26 POWER GROUND: GROUND

# Switching a 12Vdc 'NO' Relay to provide a live feed to a reversing camera when reverse gear is selected



Splicing Connector

