



Technical Service Bulletin

No.B501-10
03 December 2004

Subject/Concern: Glove Compartment Lid Latching Issues

Models:

XJ Range | | VIN-range: G00442 Onwards

Markets: All

Section: 501-05

Section: Interior Trim and Ornamentation

Summary:

This Technical Bulletin has been issued to inform authorized repairers that if they have glove compartment lid latching issues (glove compartment lid difficult to close, glove compartment lid not staying closed or glove compartment lid not latching) that the striker position or latch position should be adjusted, before replacing parts.

Cause: Glove compartment lid striker or latch position.

Action: Should a customer express concern, follow the Service Instruction outlined Below.

Parts Required:

Description	Part Number	Quantity
N/A		N/A

Labour Time:

Operation Description	Operation No.	Time
Adjust glove compartment lid striker position	7694 79	0.2 hours
Adjust glove compartment lid striker position and latch/motor position	76 94 79/01	0.4 hours

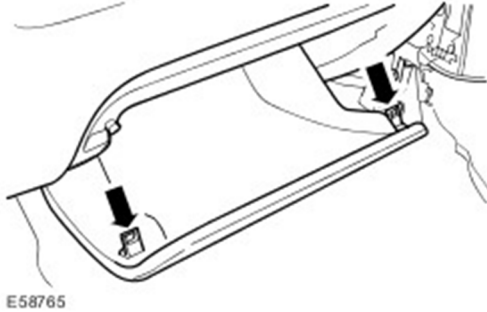
Repair/Claim Coding:

Causal Part:	C2C 20897
ACES Condition Code:	N/A
Defect Code:	N/A

Service Instruction

Adjust Glove Compartment Lid Striker Position

- 1 . Open passenger door.
- 2 . Open glove compartment lid.
- 3 . Undo glove compartment lid strikers' securing screws.

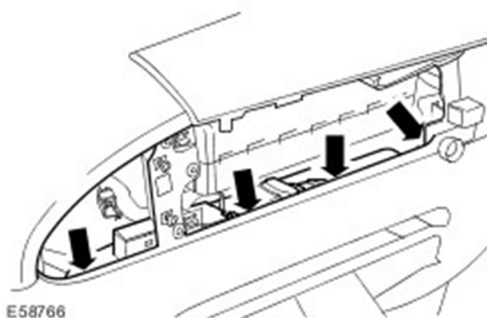


- 4 . Adjust strikers.
- 5 . Tighten glove compartment lid strikers' securing screws.
- 6 . Close glove compartment lid. **NOTE:** If required, repeat steps 2 to 6 for further adjustment.
- 7 . Close passenger door.

Service Instruction

Adjust Glove Compartment Lid Latch/Motor Position

- 1 . Open passenger door.
- 2 . Remove passenger side register (see Global Technical Reference GTR Workshop Manual, section: 412-01).
- 3 . Open glove compartment lid.
- 4 . Undo the glove compartment lid latch/motor securing screws. **NOTE:** Some glove compartment lid latch/motors have six securing screws, some have four securing screws.



- 5 . Adjust the glove compartment lid latch/motor assembly forward/rearward.
- 6 . Tighten the glove compartment lid latch/motor securing screws.
- 7 . Close glove compartment lid. **NOTE:** If required, carry out steps 3 to 7 for further adjustment.

- 8 . Install passenger side register (see Global Technical Reference GTR Workshop Manual, section: 412-01).
- 9 . Close passenger door.

©2004 Jaguar