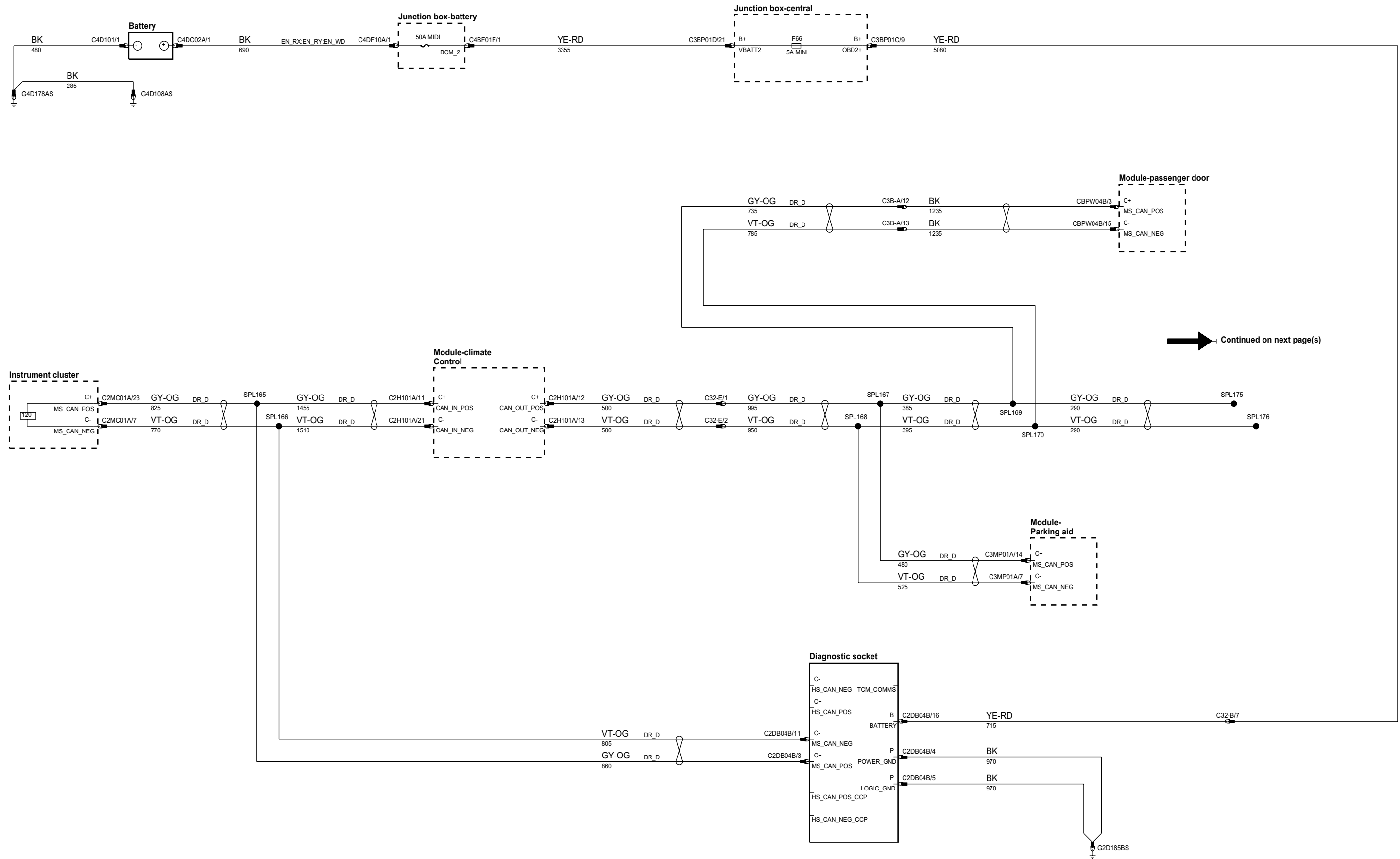
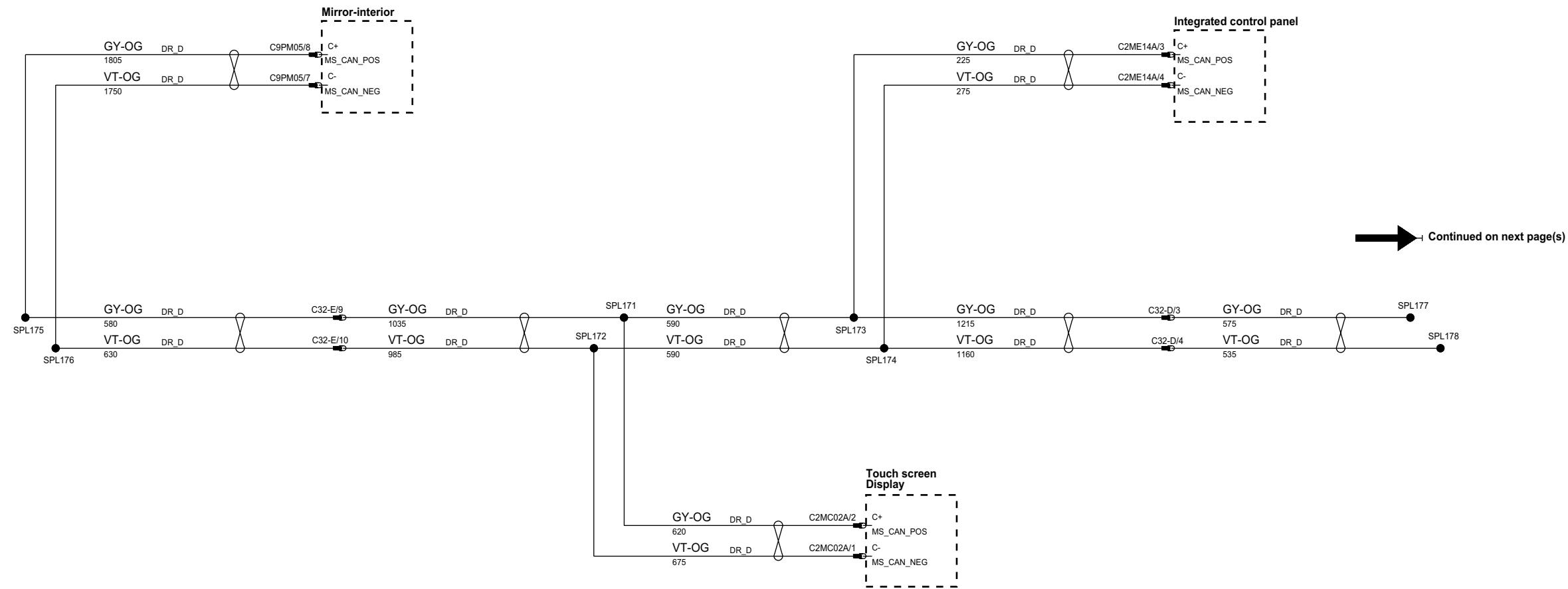


phcw93-70016-e-a3



phcw93-70016-f-a3

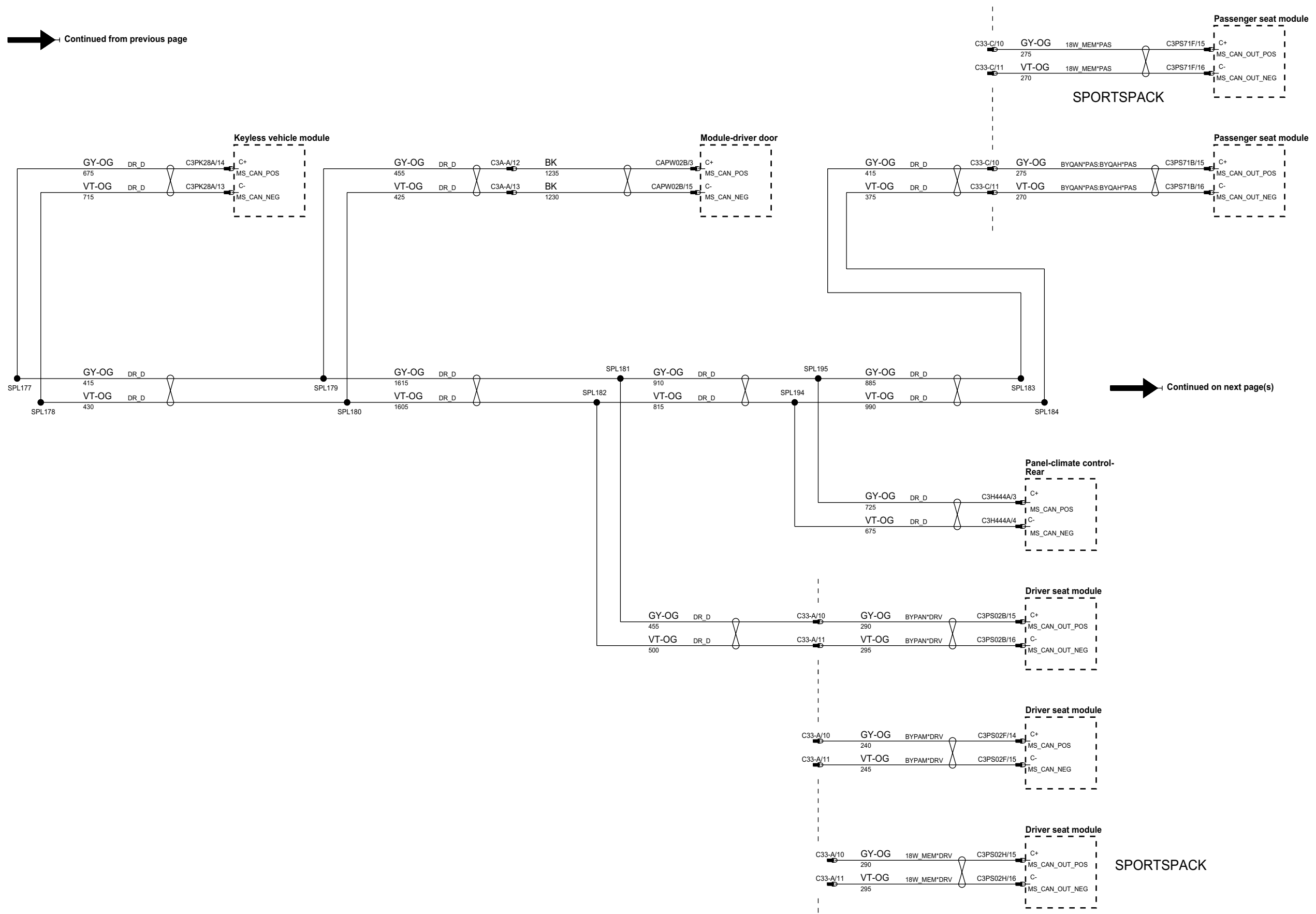
➔ Continued from previous page



➔ Continued on next page(s)

pinw93-1/0010-g-03

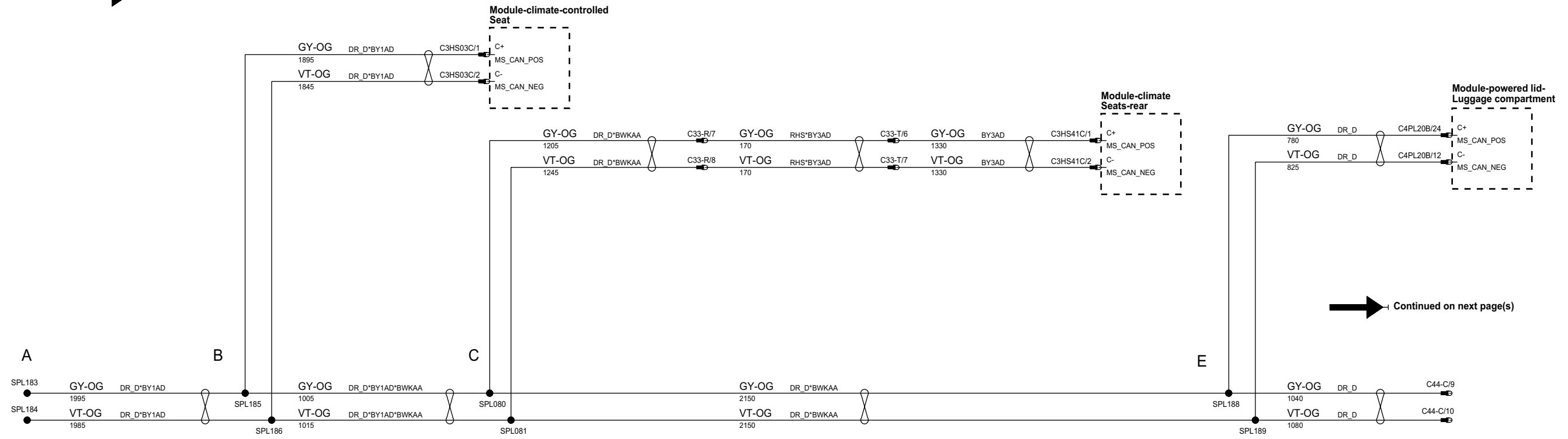
Continued from previous page



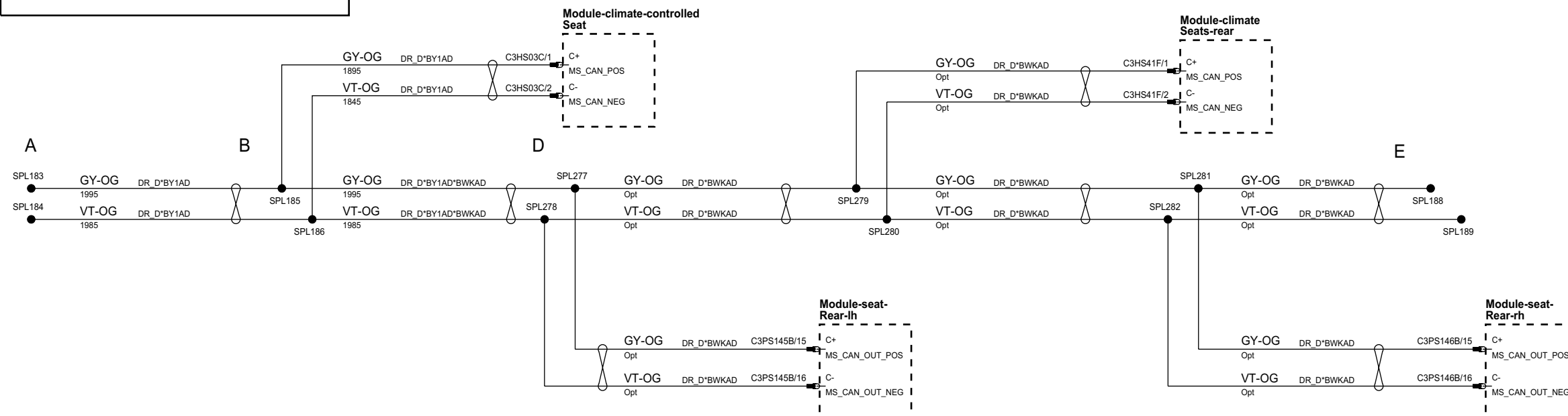
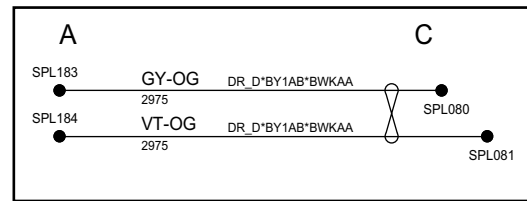
Continued on next page(s)

phcw93-70016-h-a3

Continued from previous page

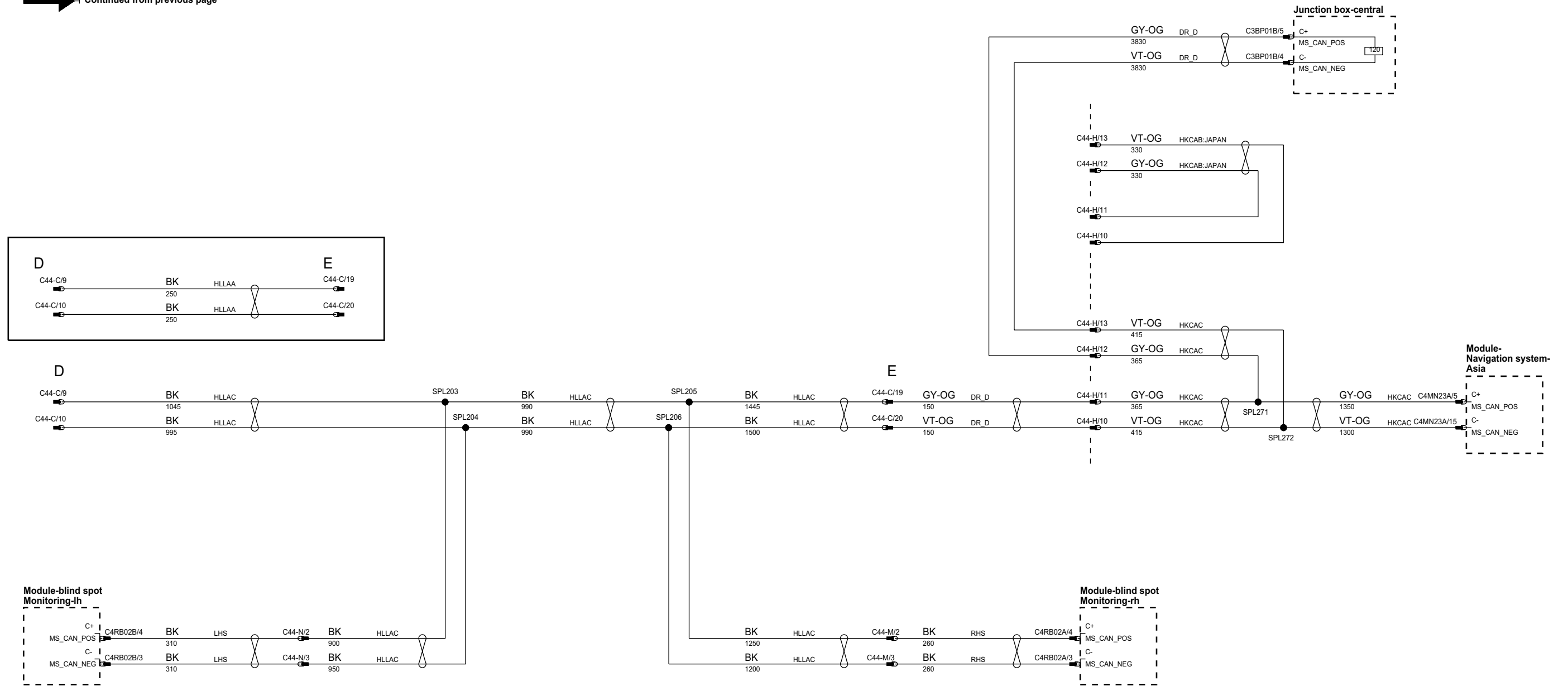


Continued on next page(s)

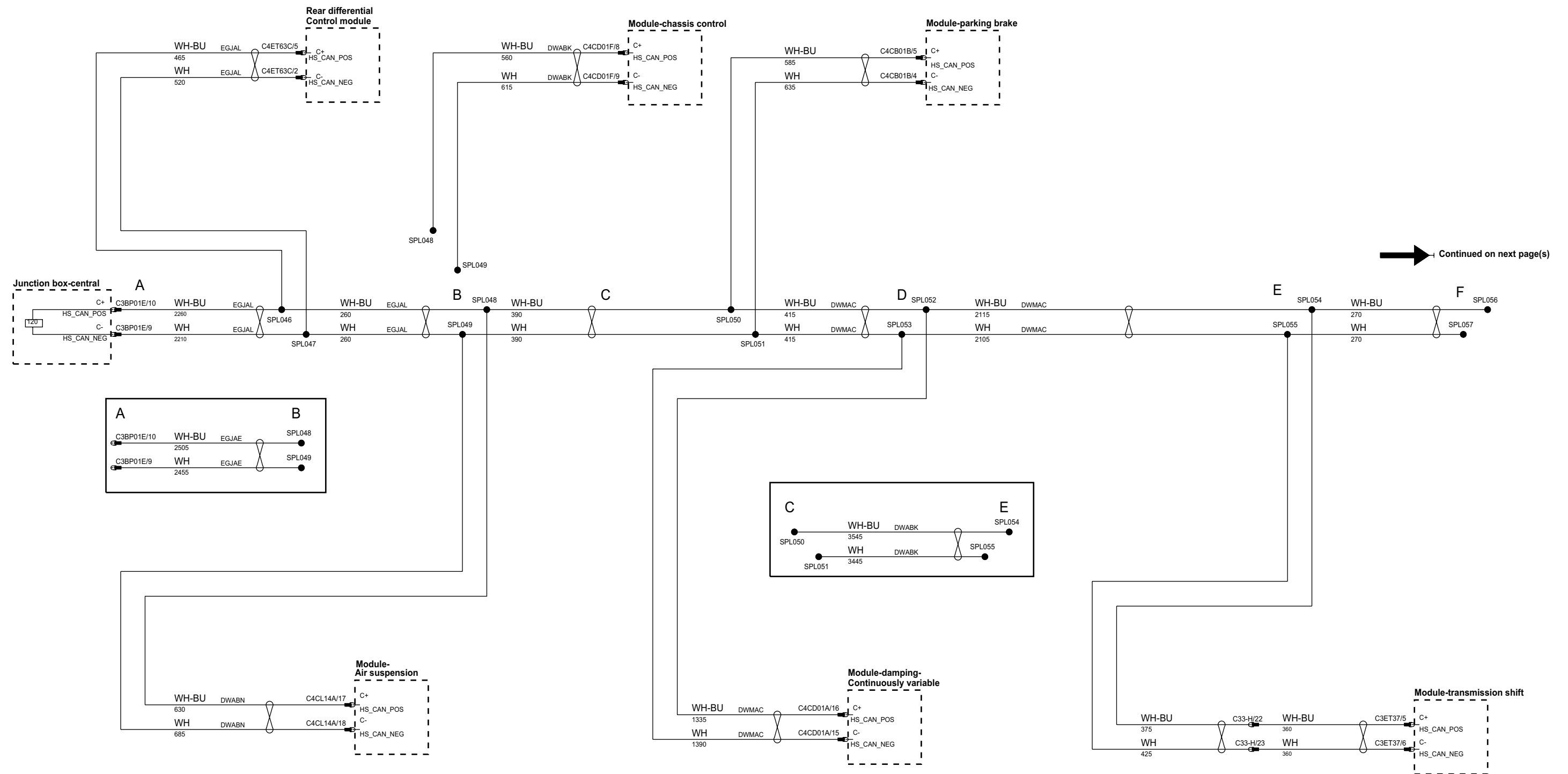


phcw93-70016-u-a3

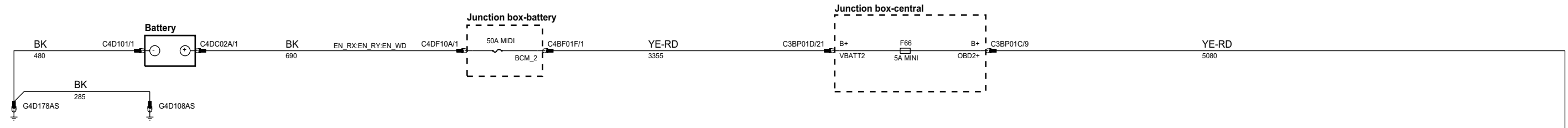
Continued from previous page



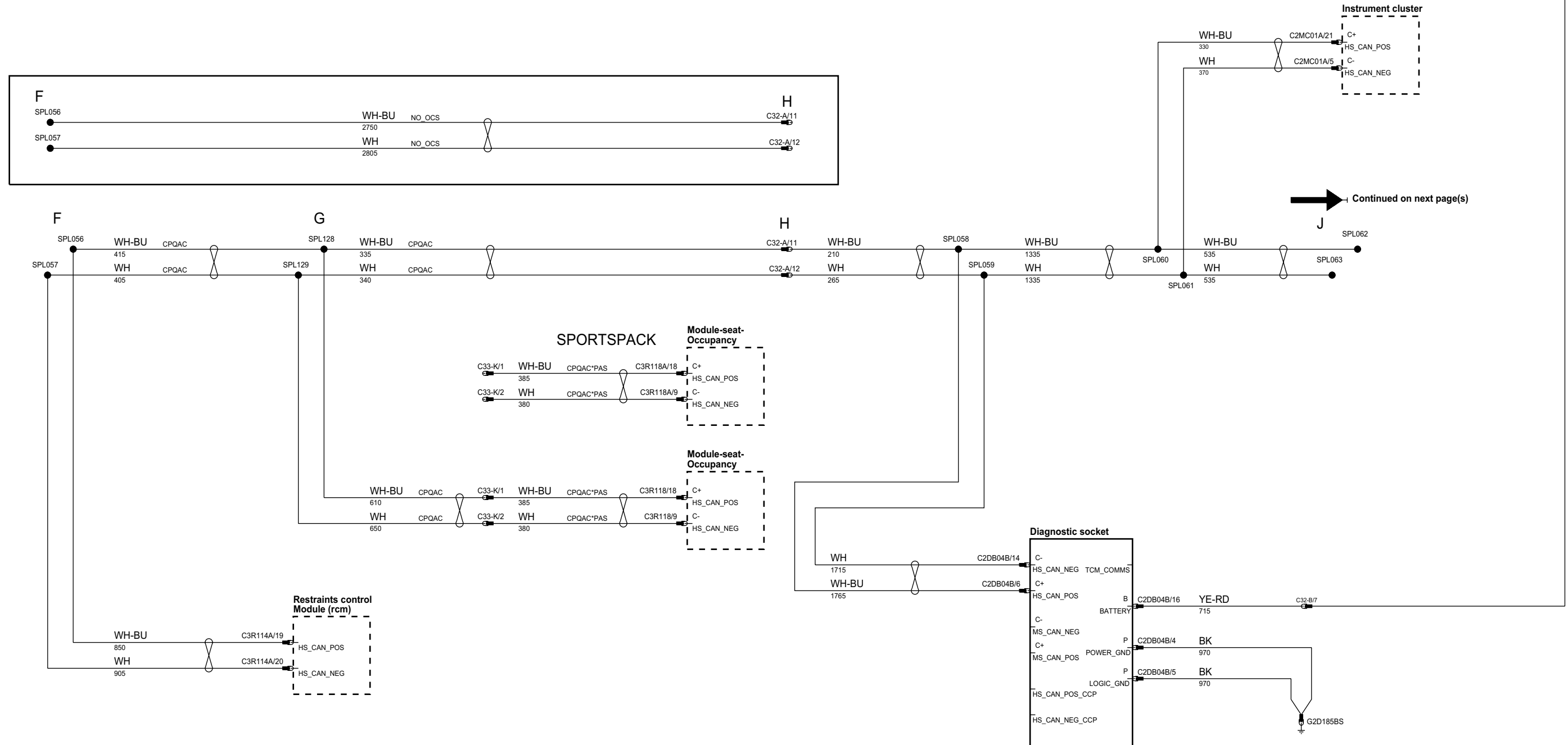
phcw93-70016-j-a3



phcw93-70016-k-a3

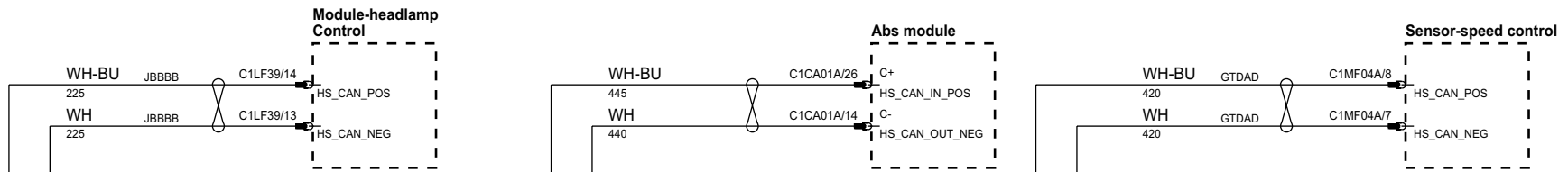
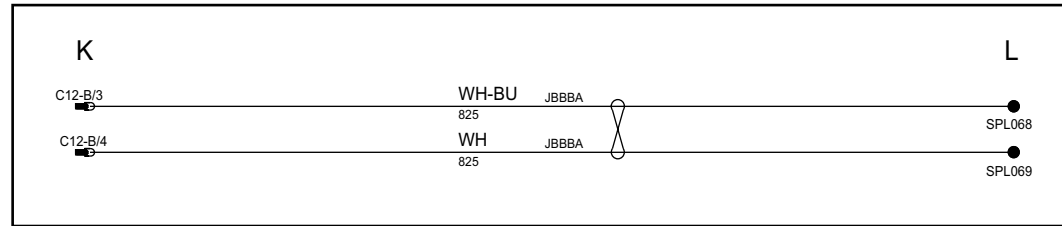


Continued from previous page



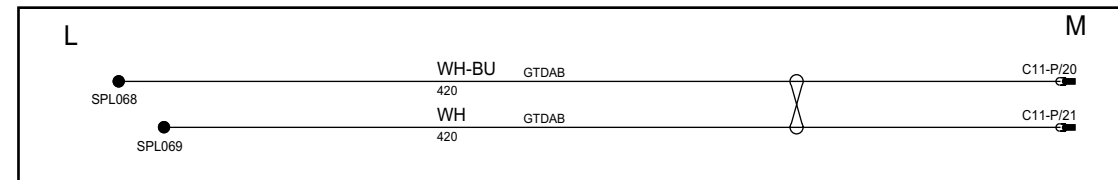
Continued on next page(s)

phcw93-70016+a3

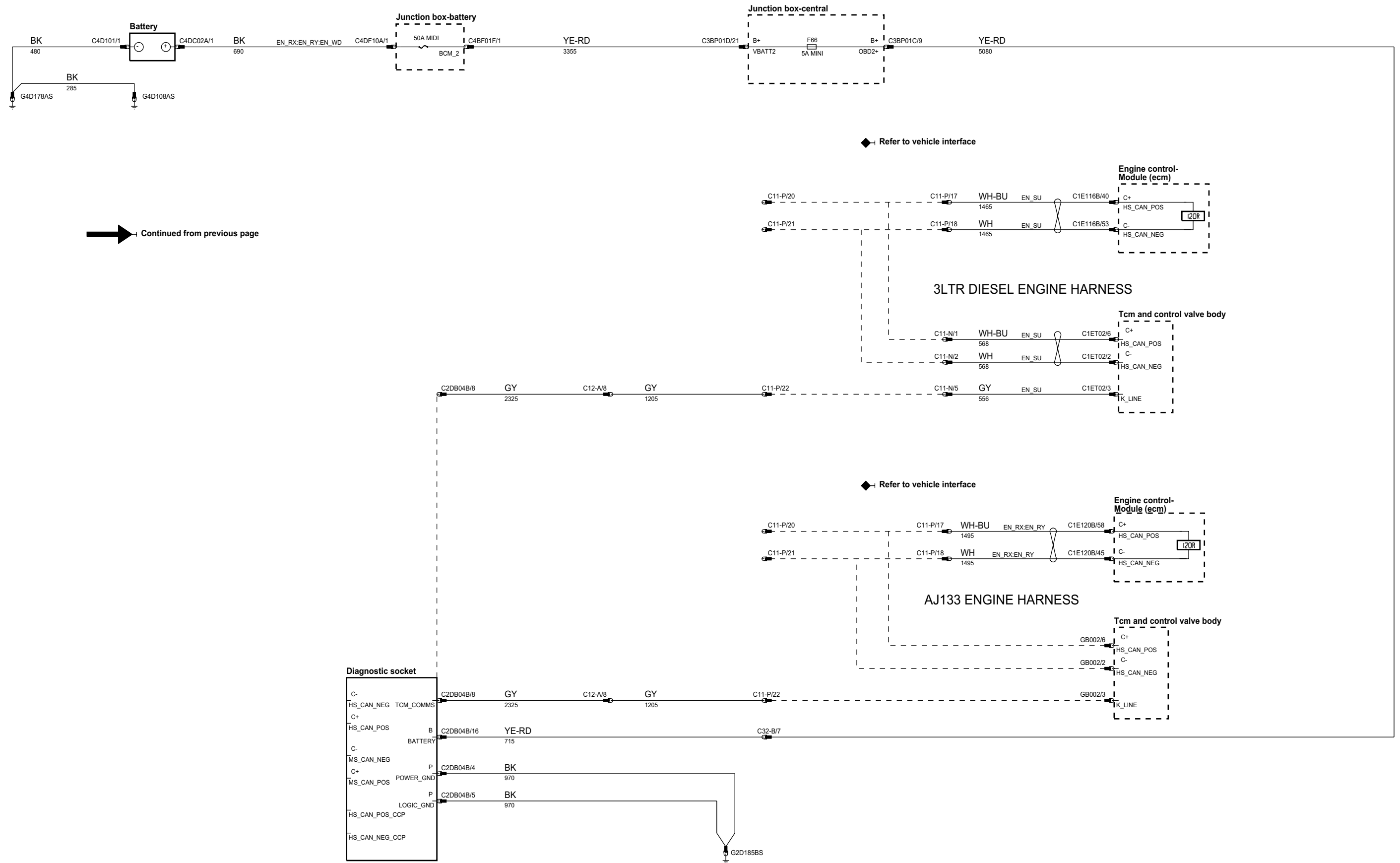


Continued from previous page

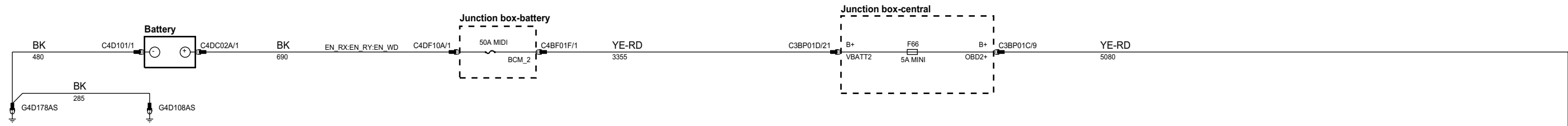
Continued on next page(s)



phcw93-70016-m-a3

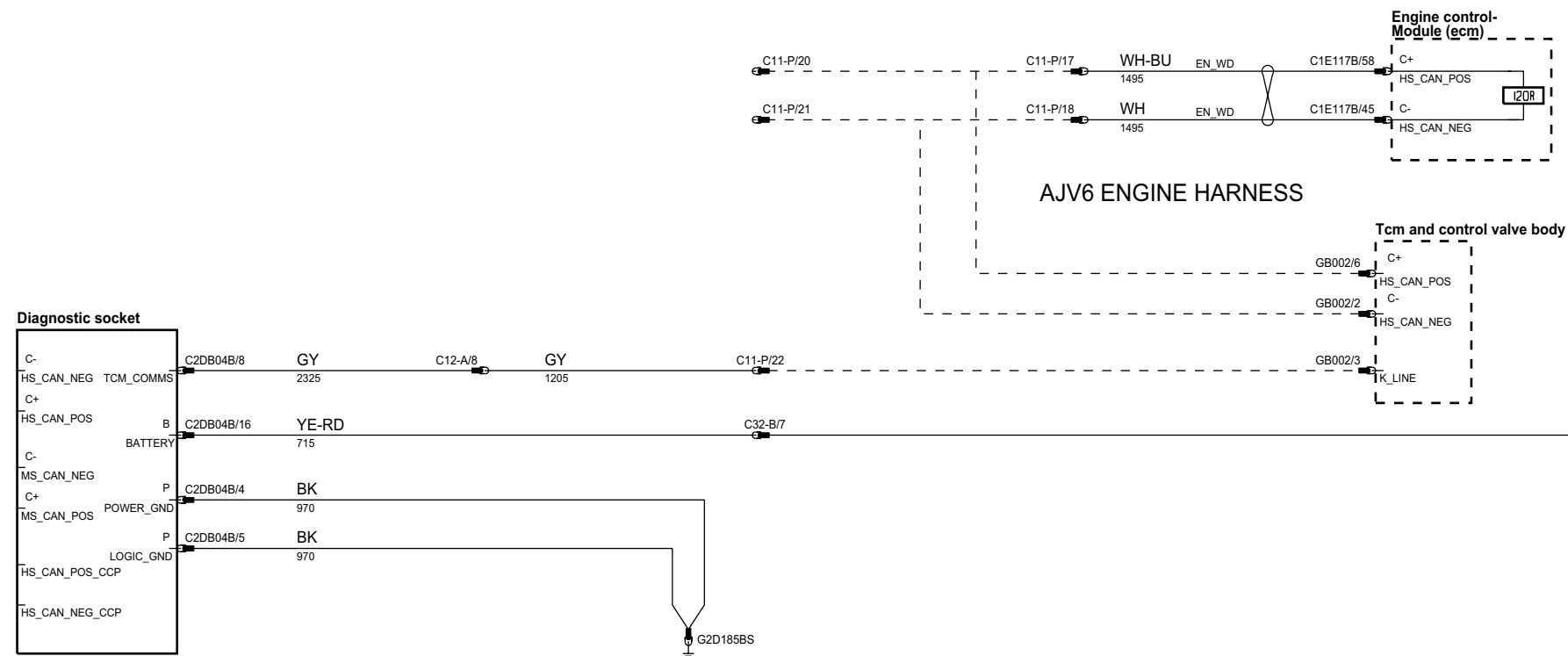


phcw93-70016-n-a3

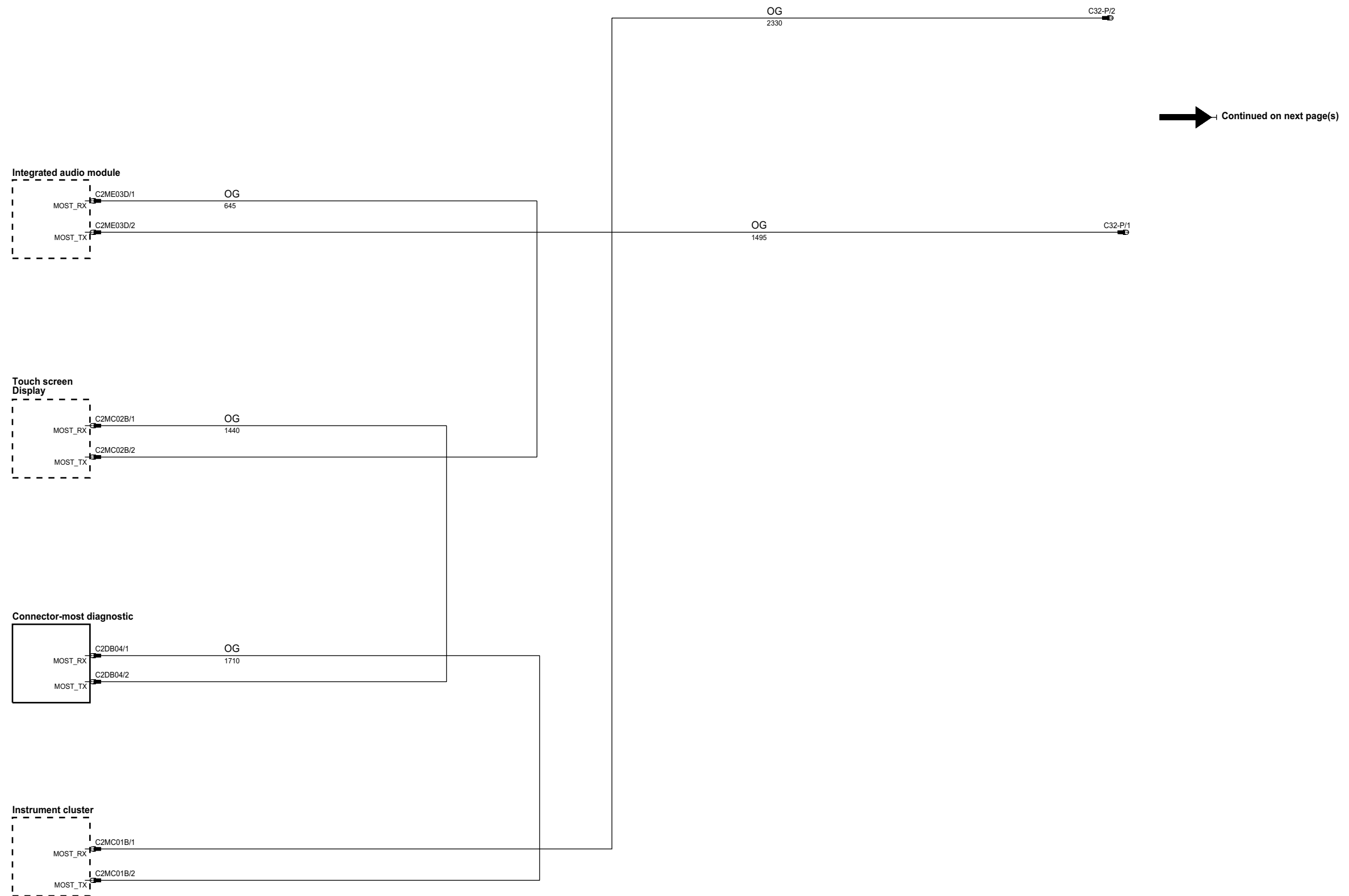


➔ Continued from previous page

◆ Refer to vehicle interface

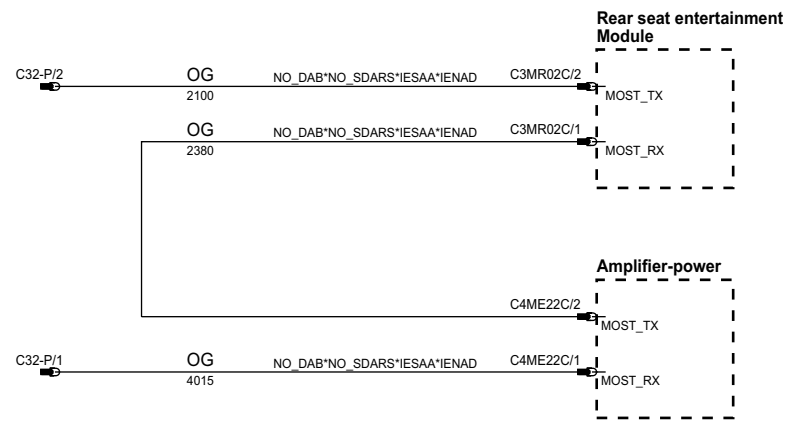
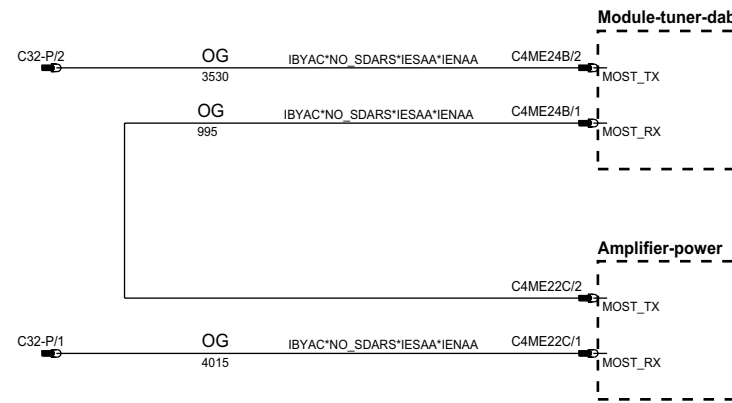
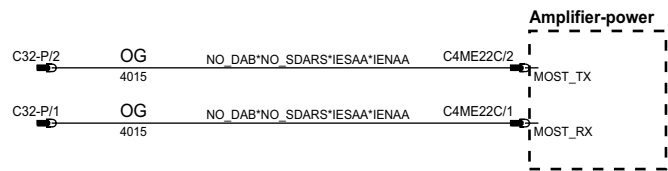
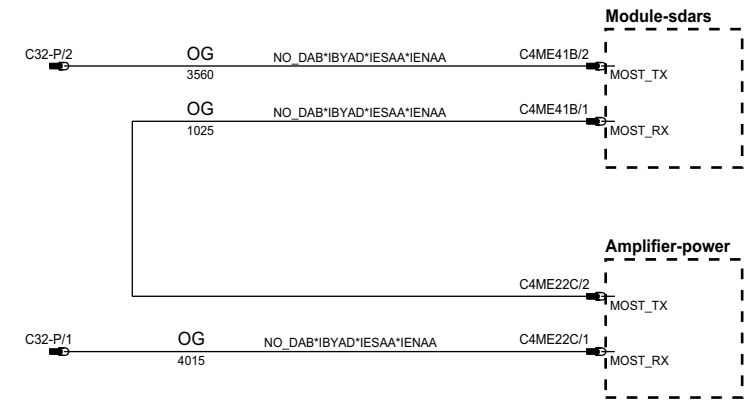
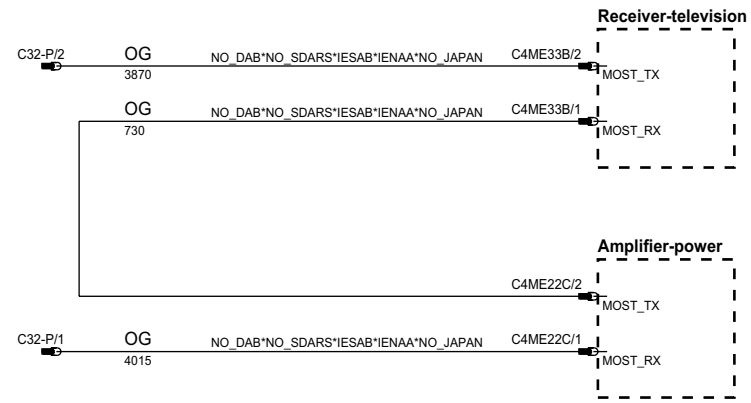


phcw93-70016-p-a3



phcw93-70016-r-a3

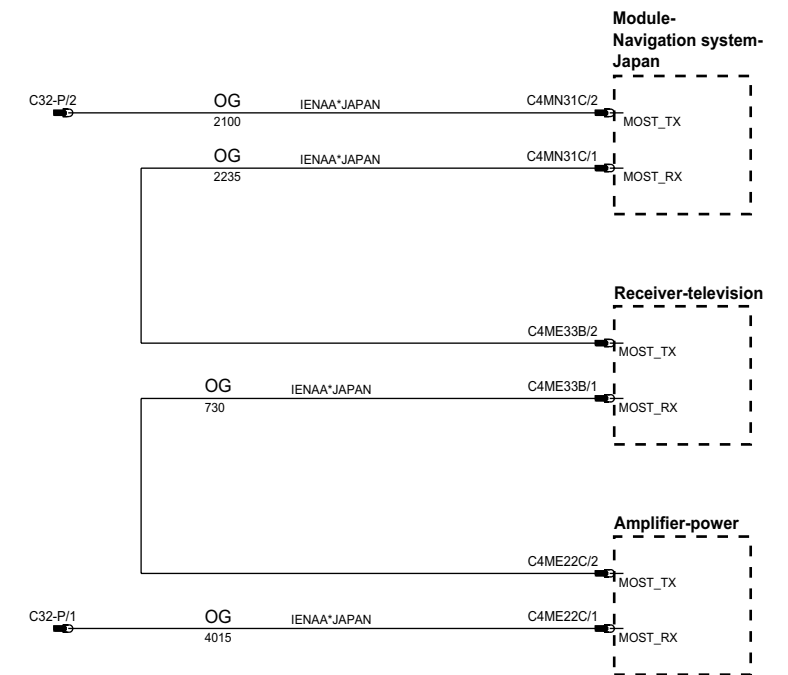
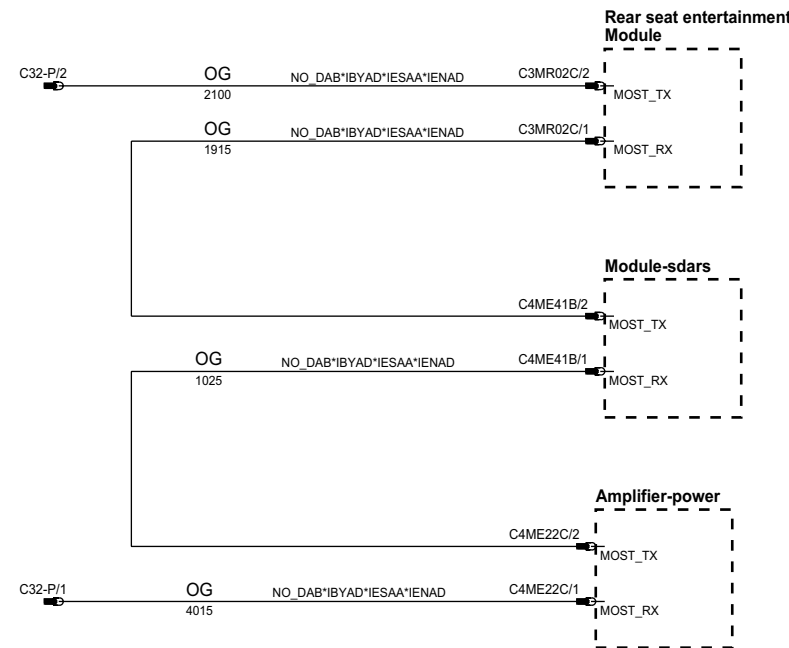
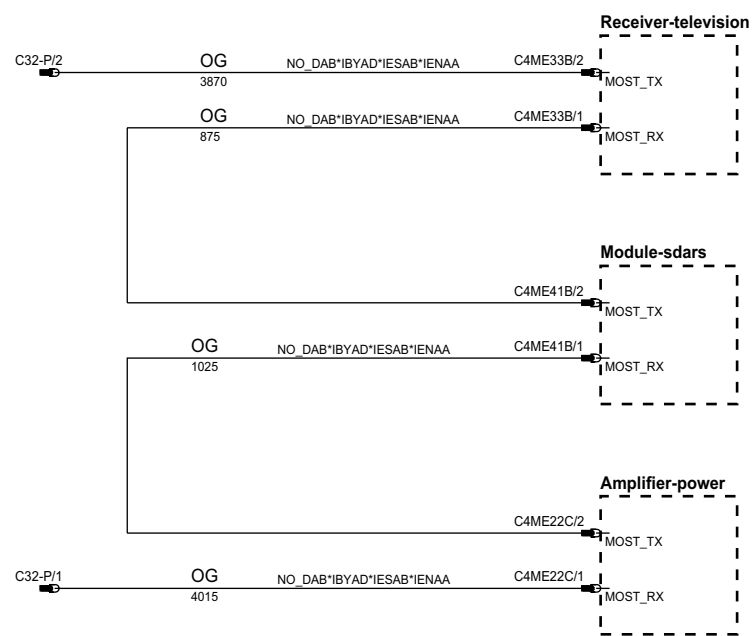
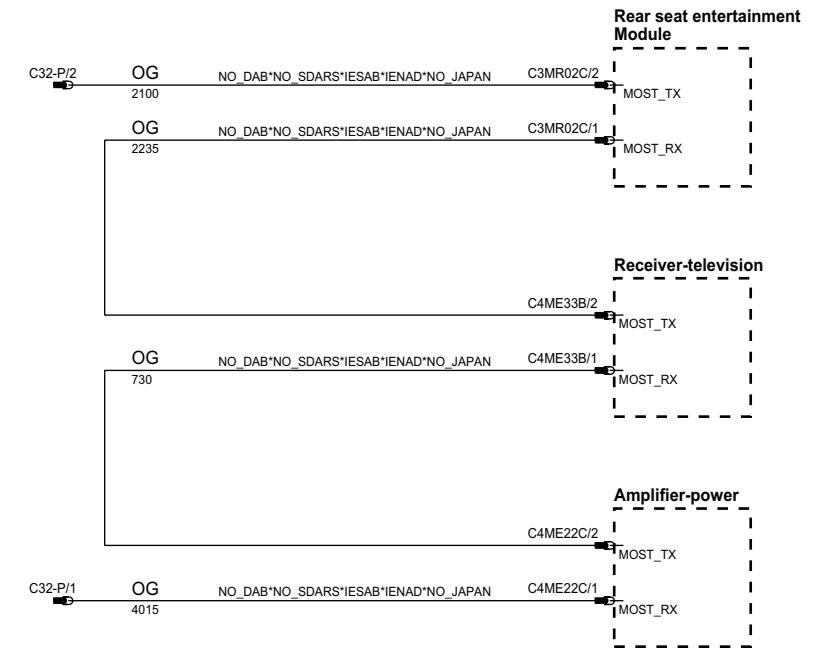
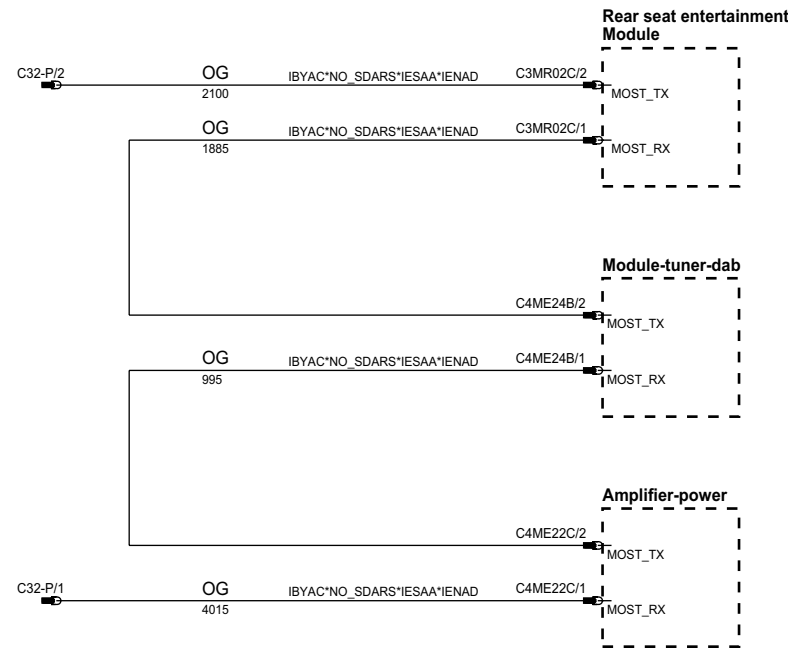
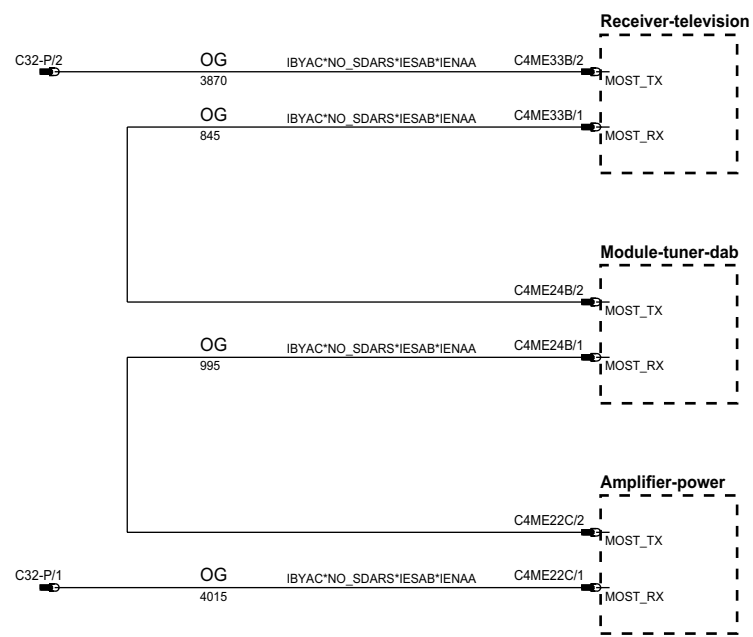
Continued from part 1



x

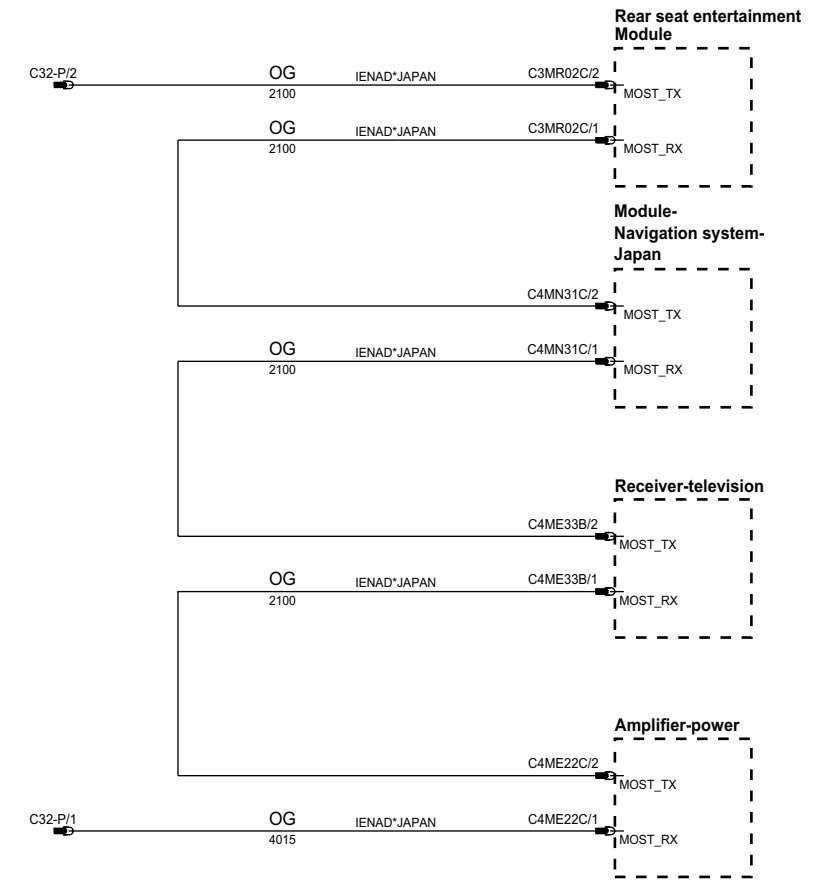
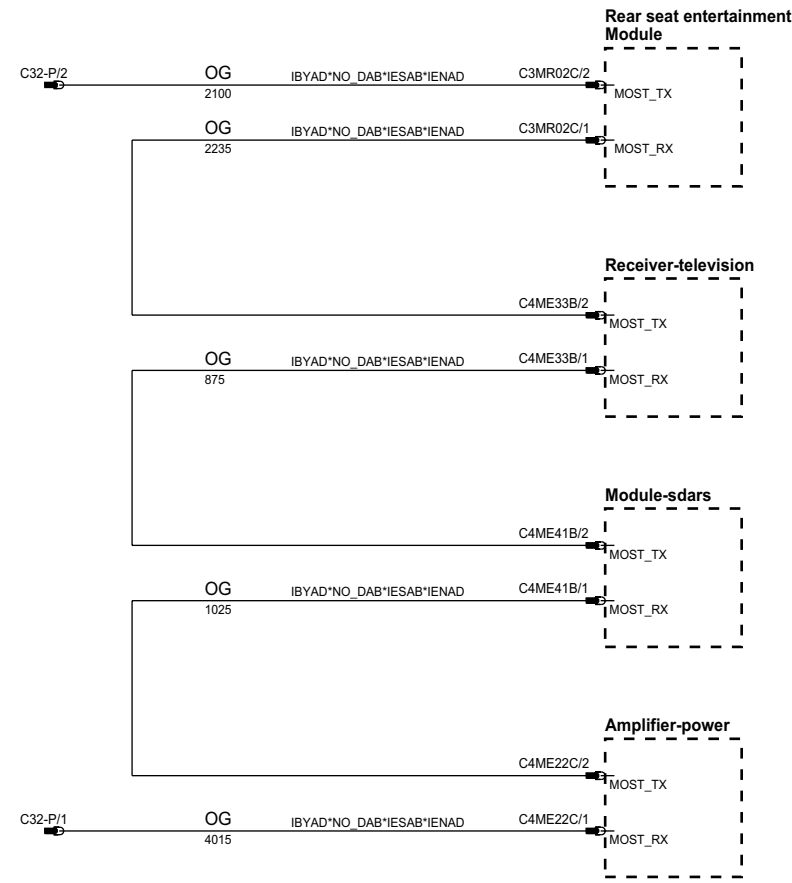
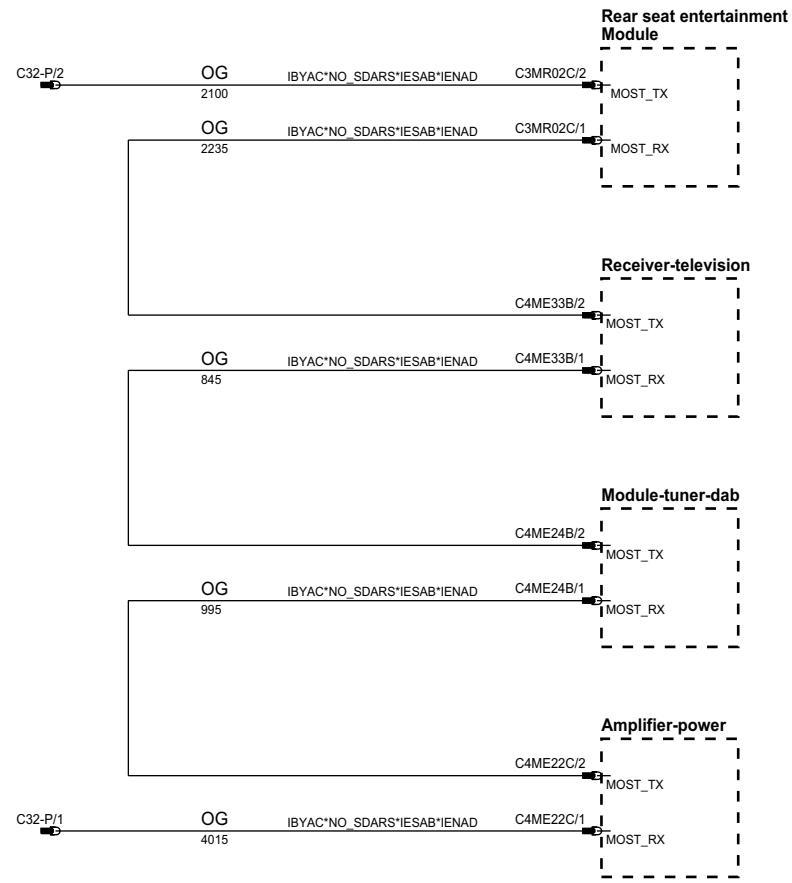
phcw93-70016-s-a3

Continued from part 1

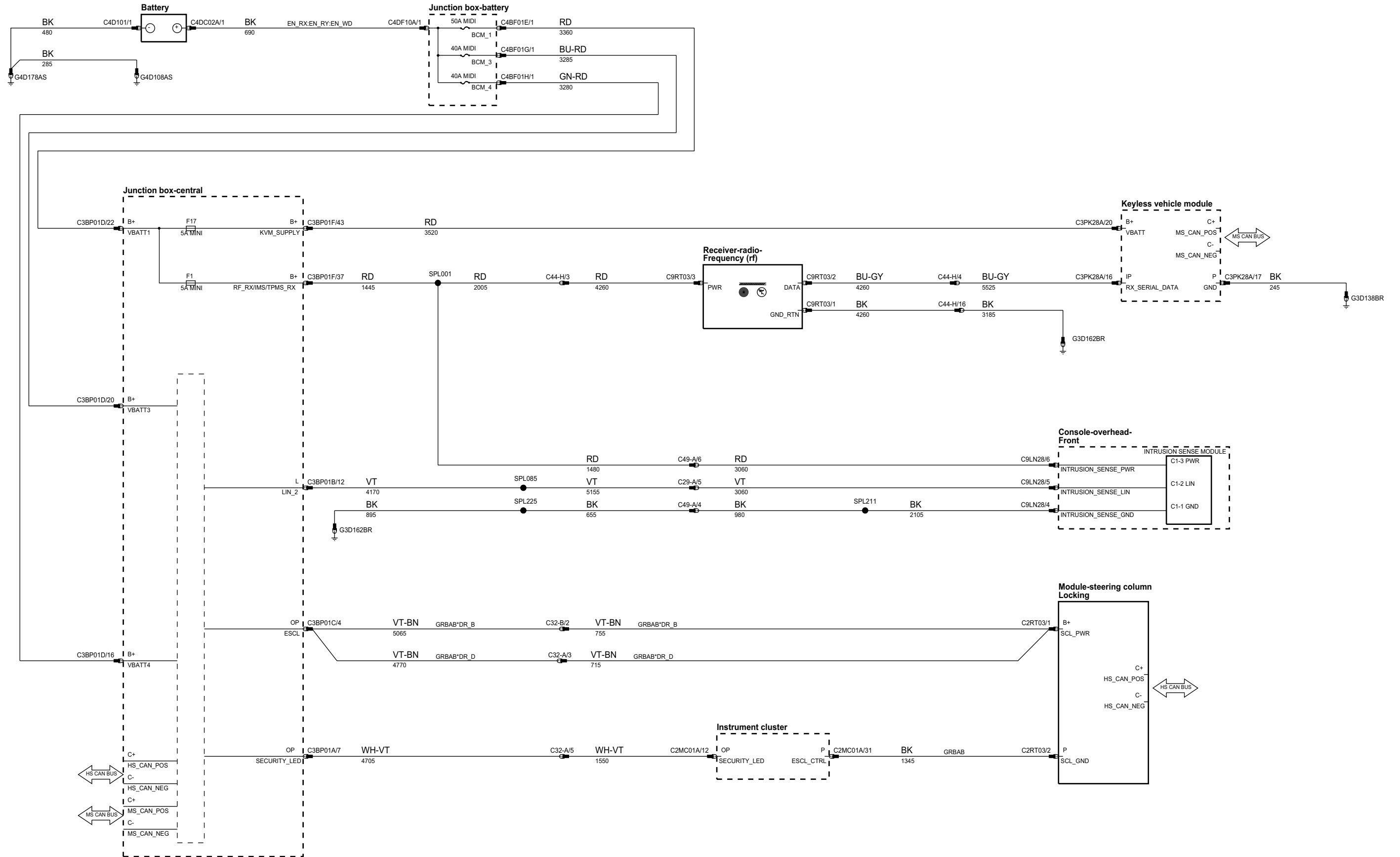


phcw93-70016-t-a3

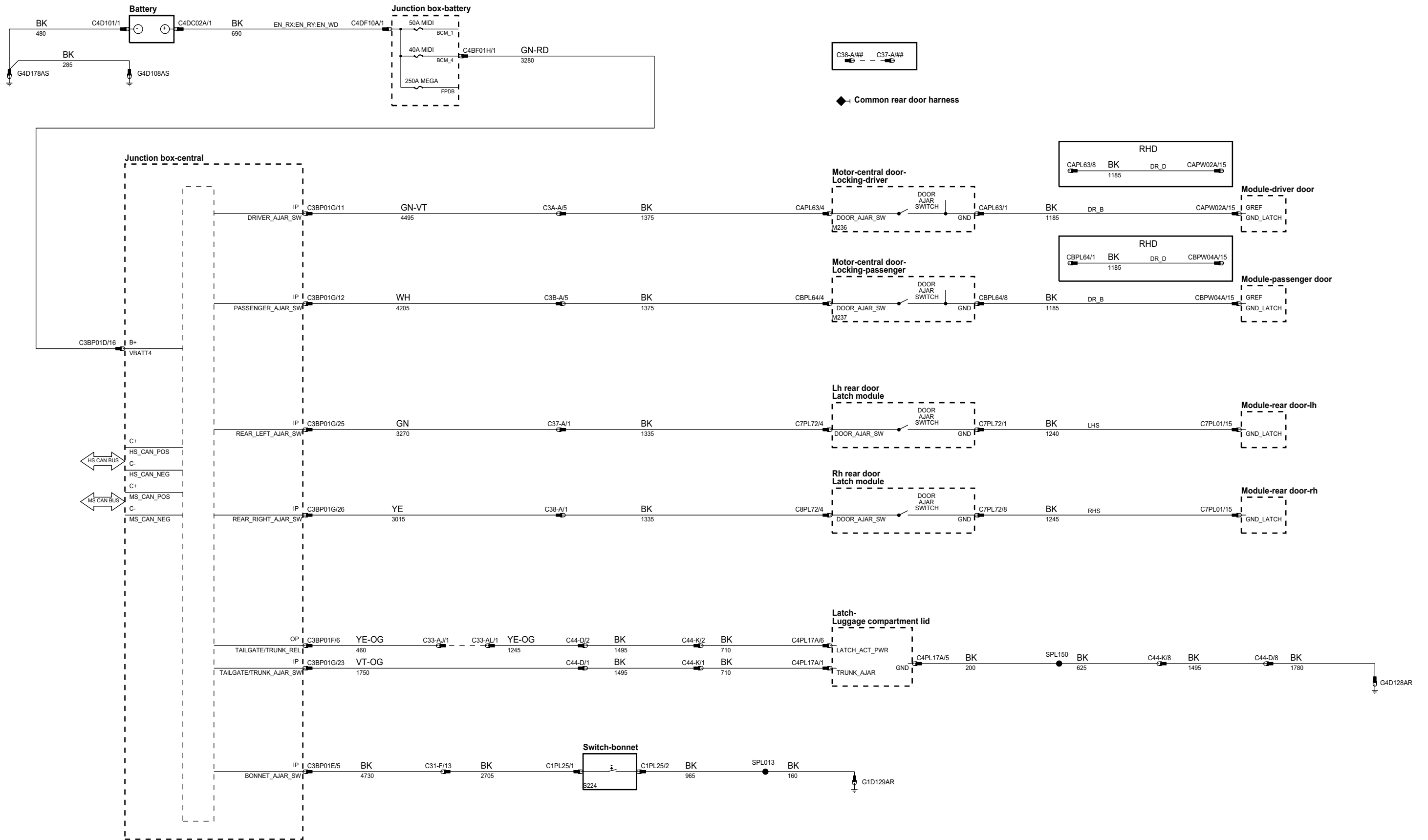
Continued from part 1



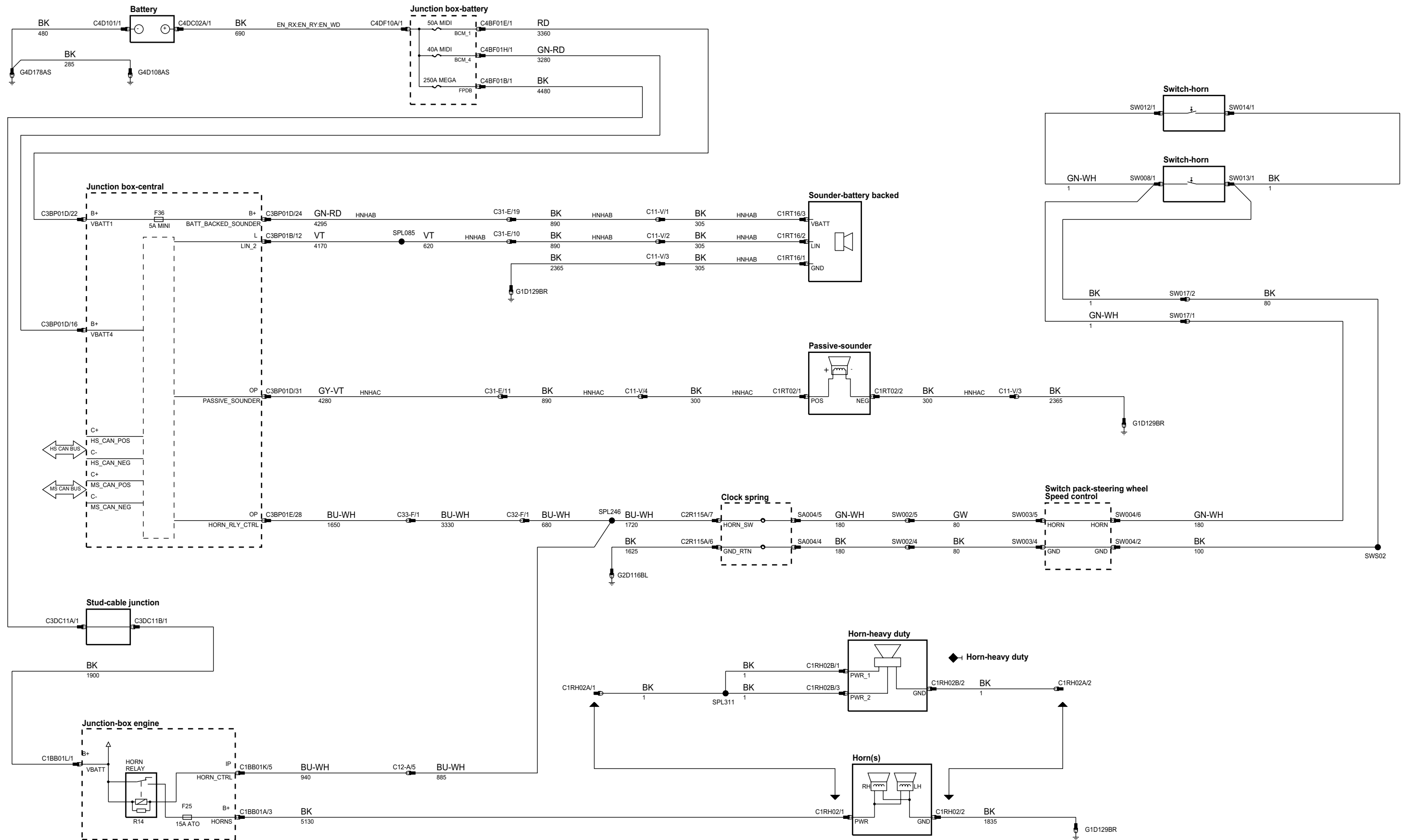
phcw93-70395-a-a3



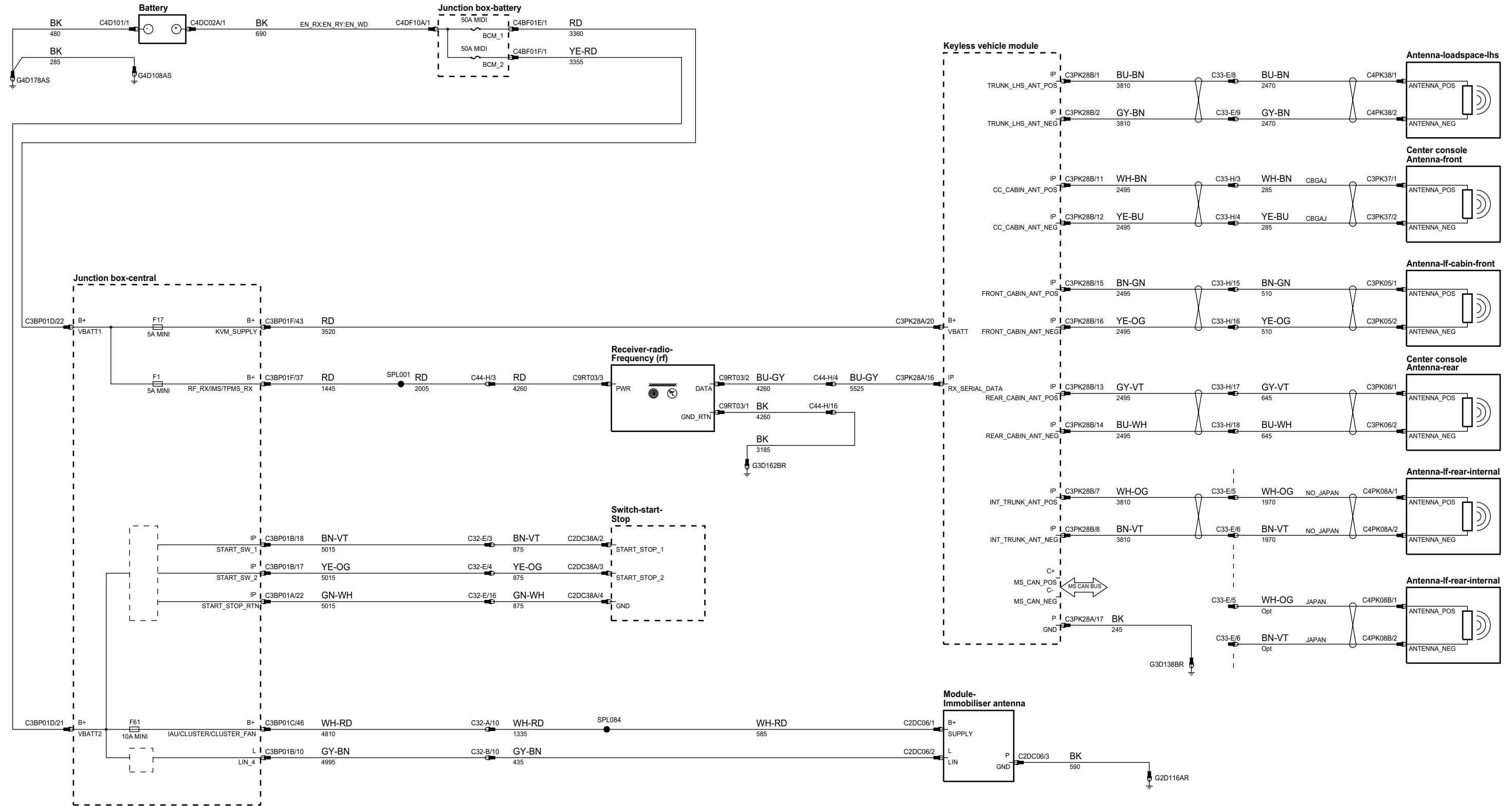
phcw93-70395-b-a3



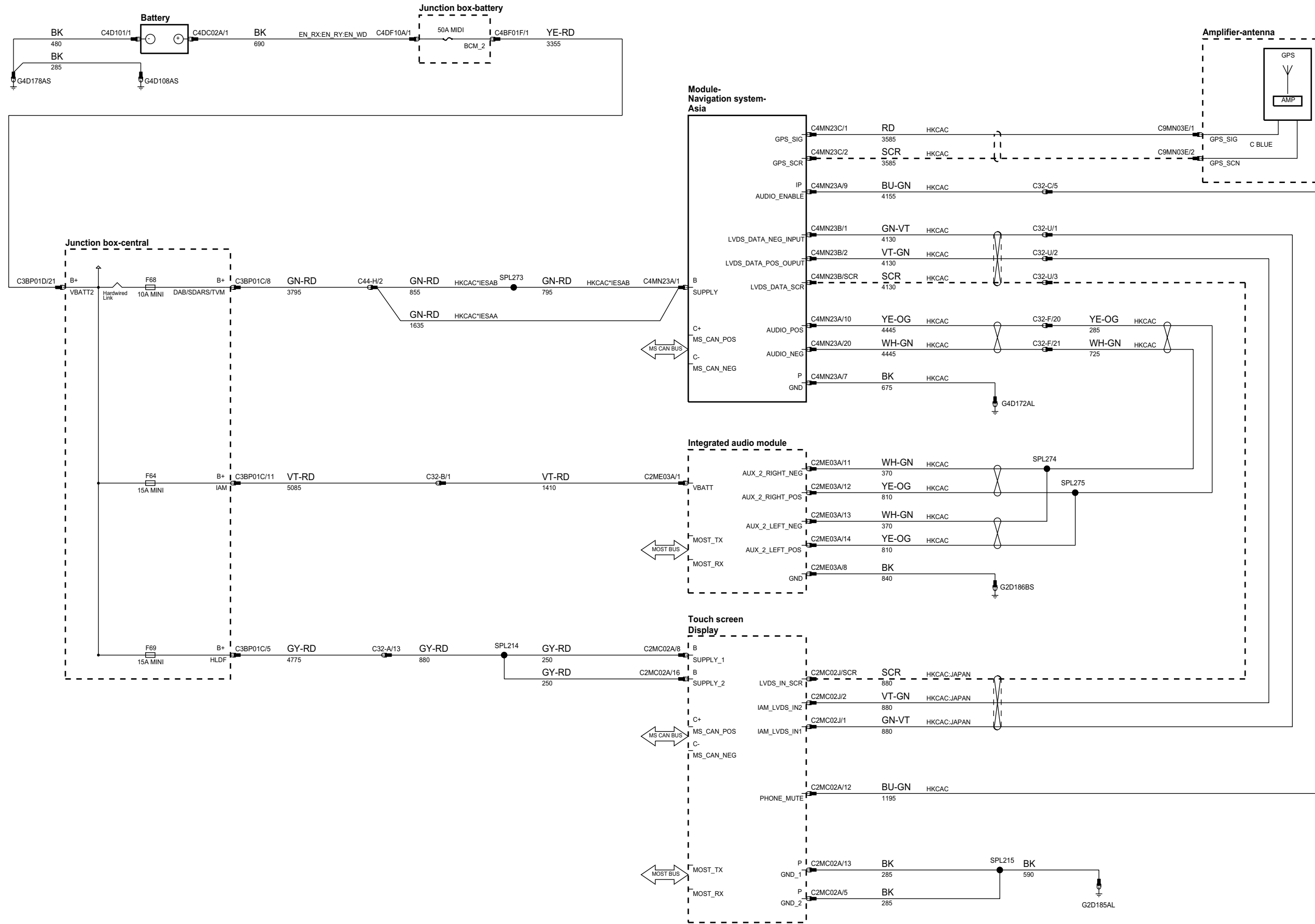
phcw93-70395-c-a3



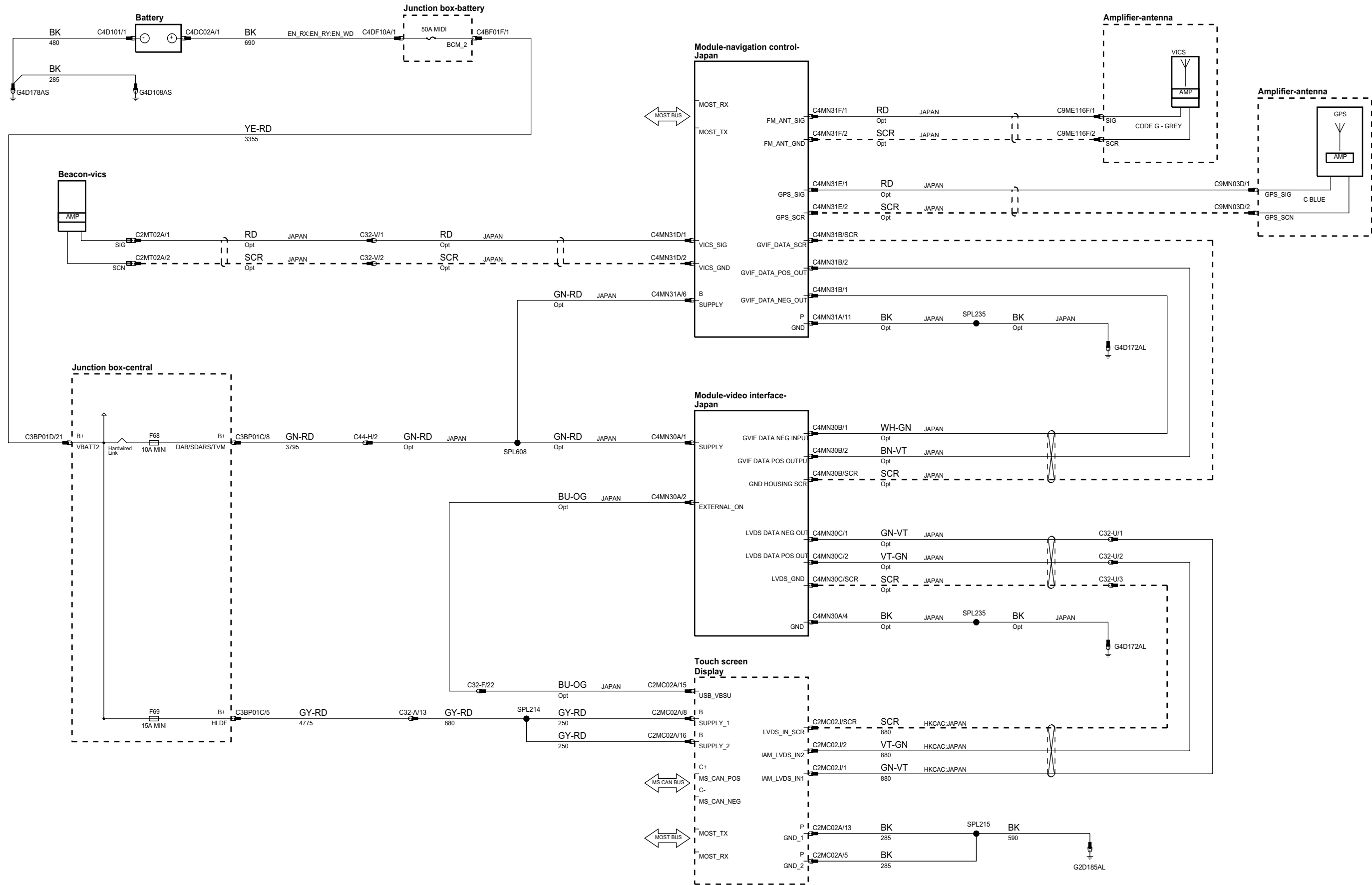
phcw93-70410-a-a3



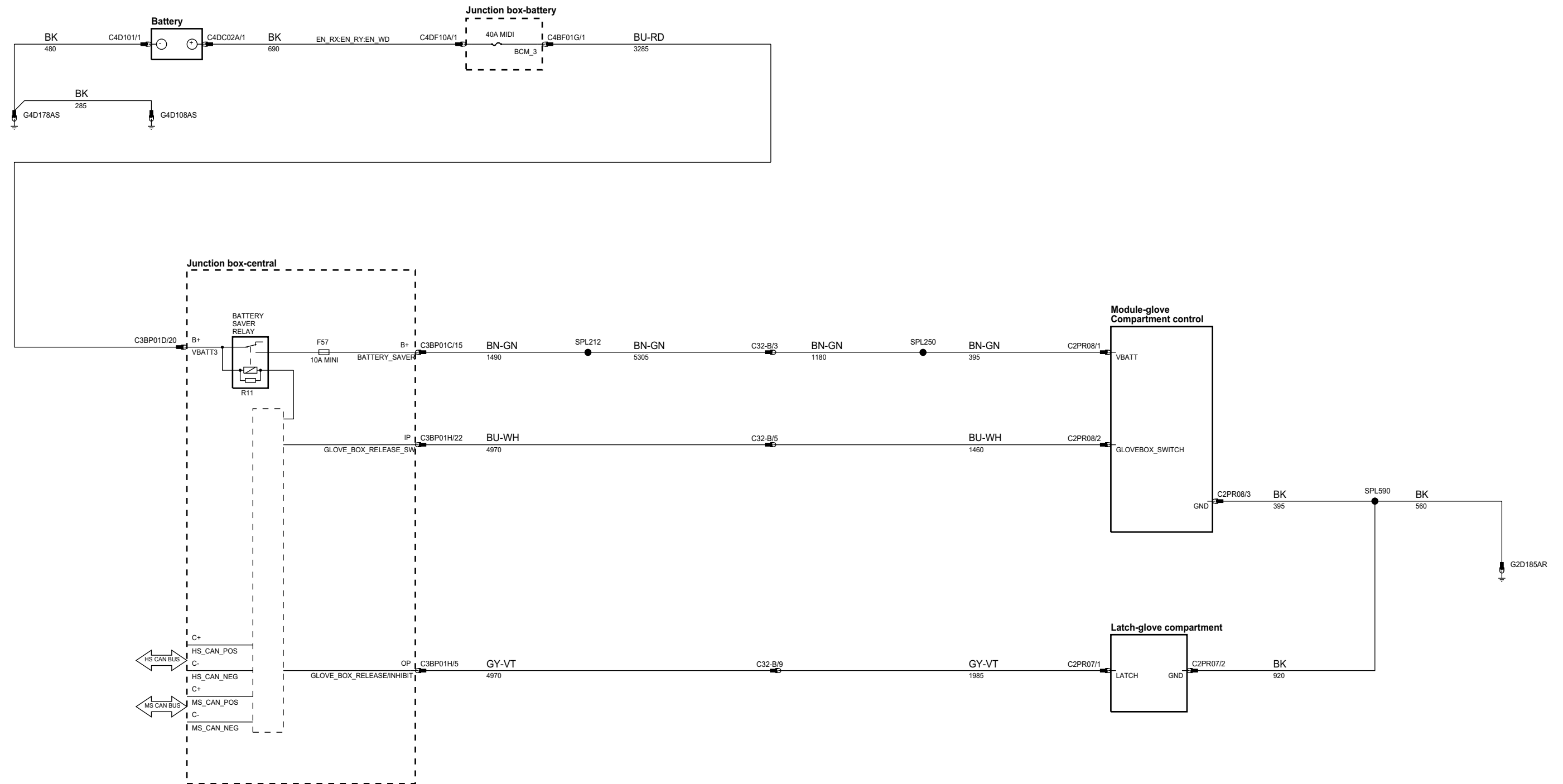
phcw93-70477-a-a3



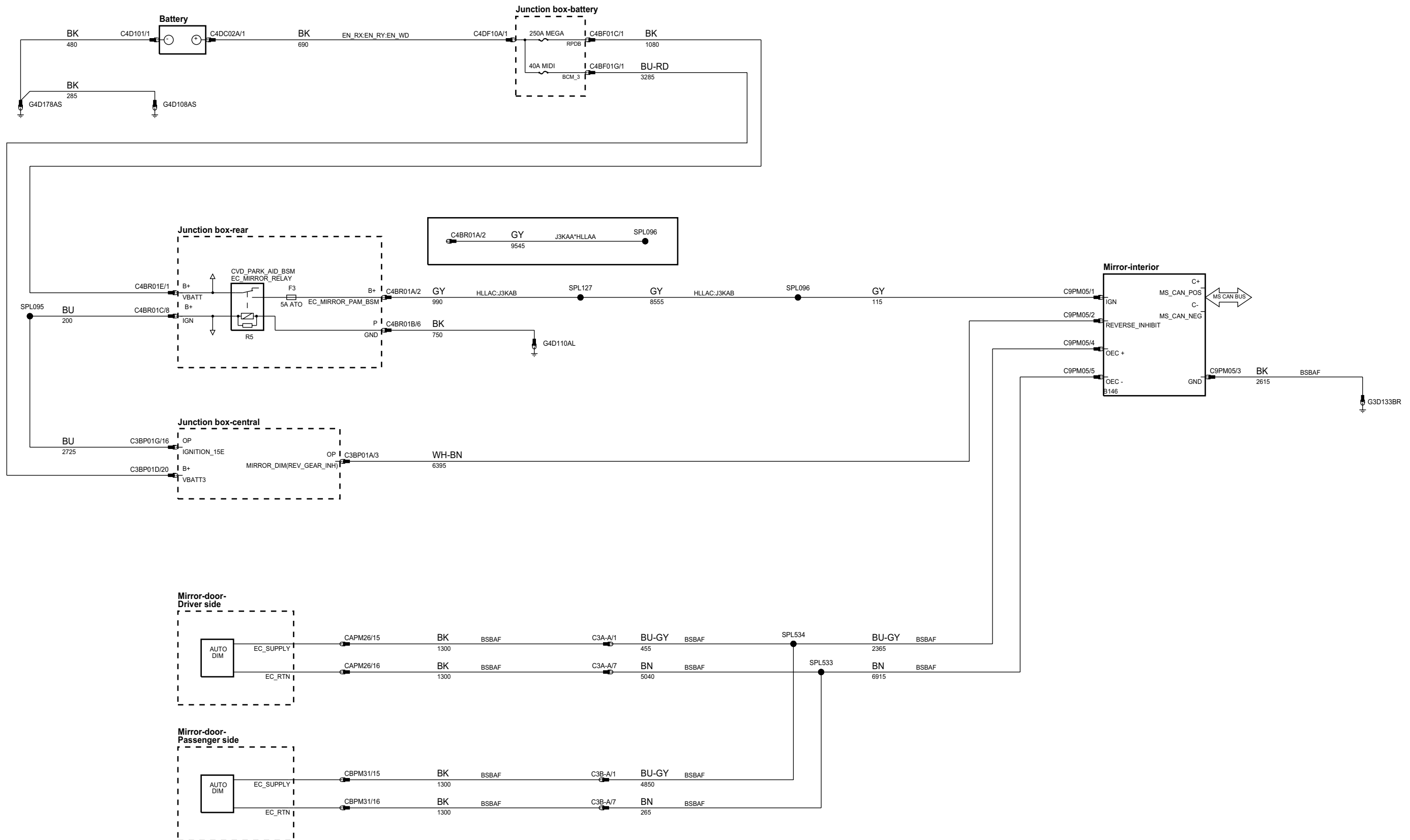
phcw93-70477-b-a3



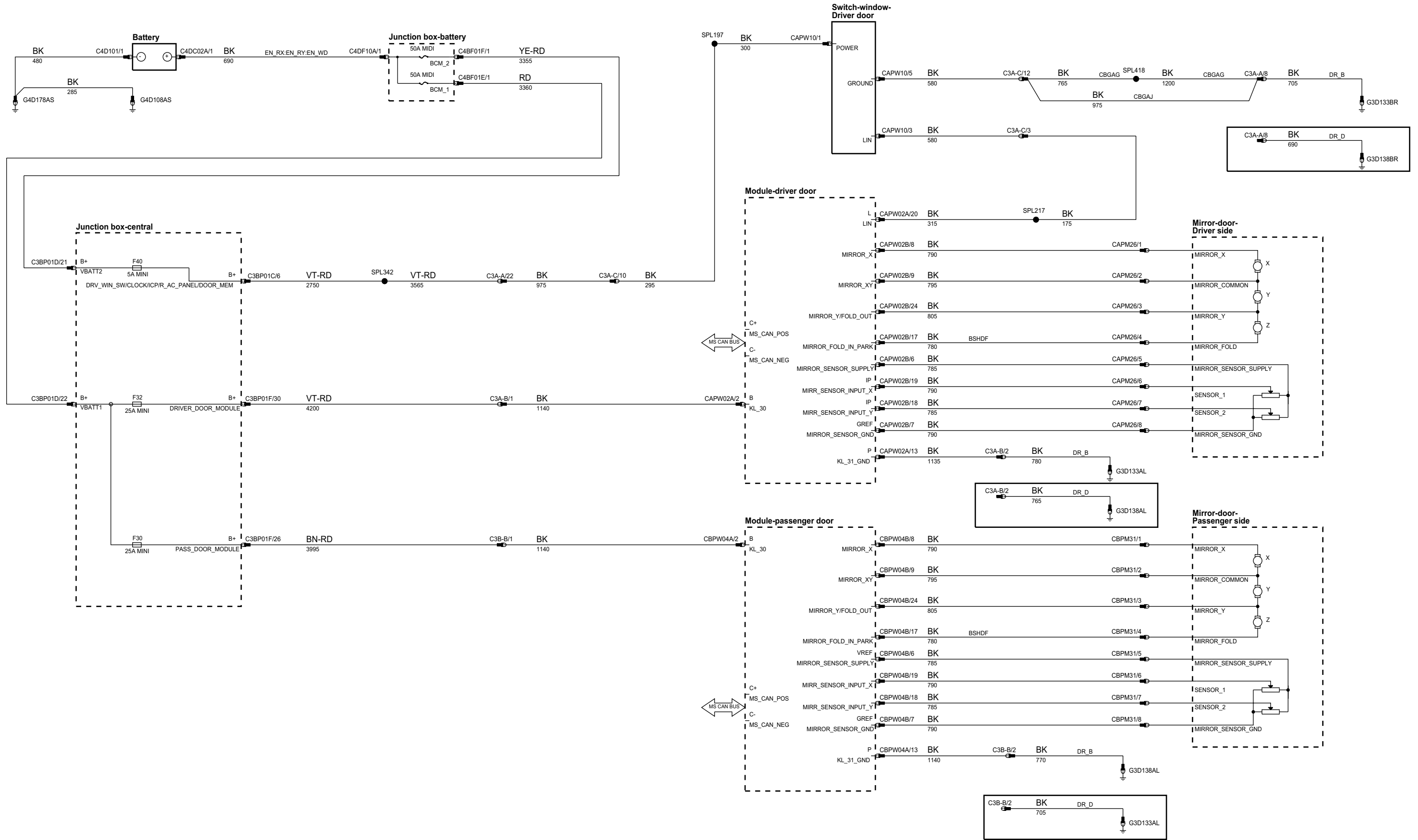
phcw93-70101-d-a3



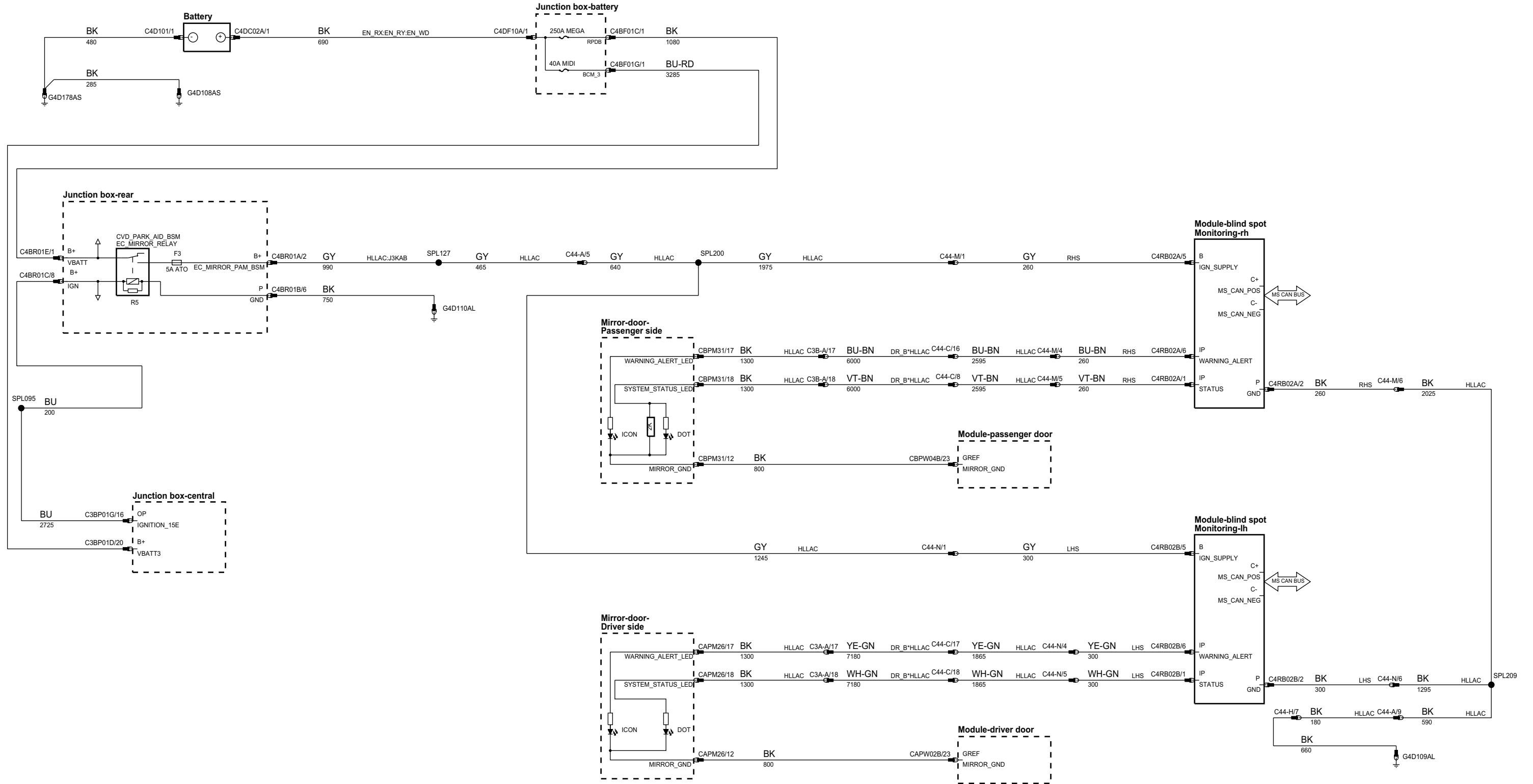
phcw93-70331-a-a3



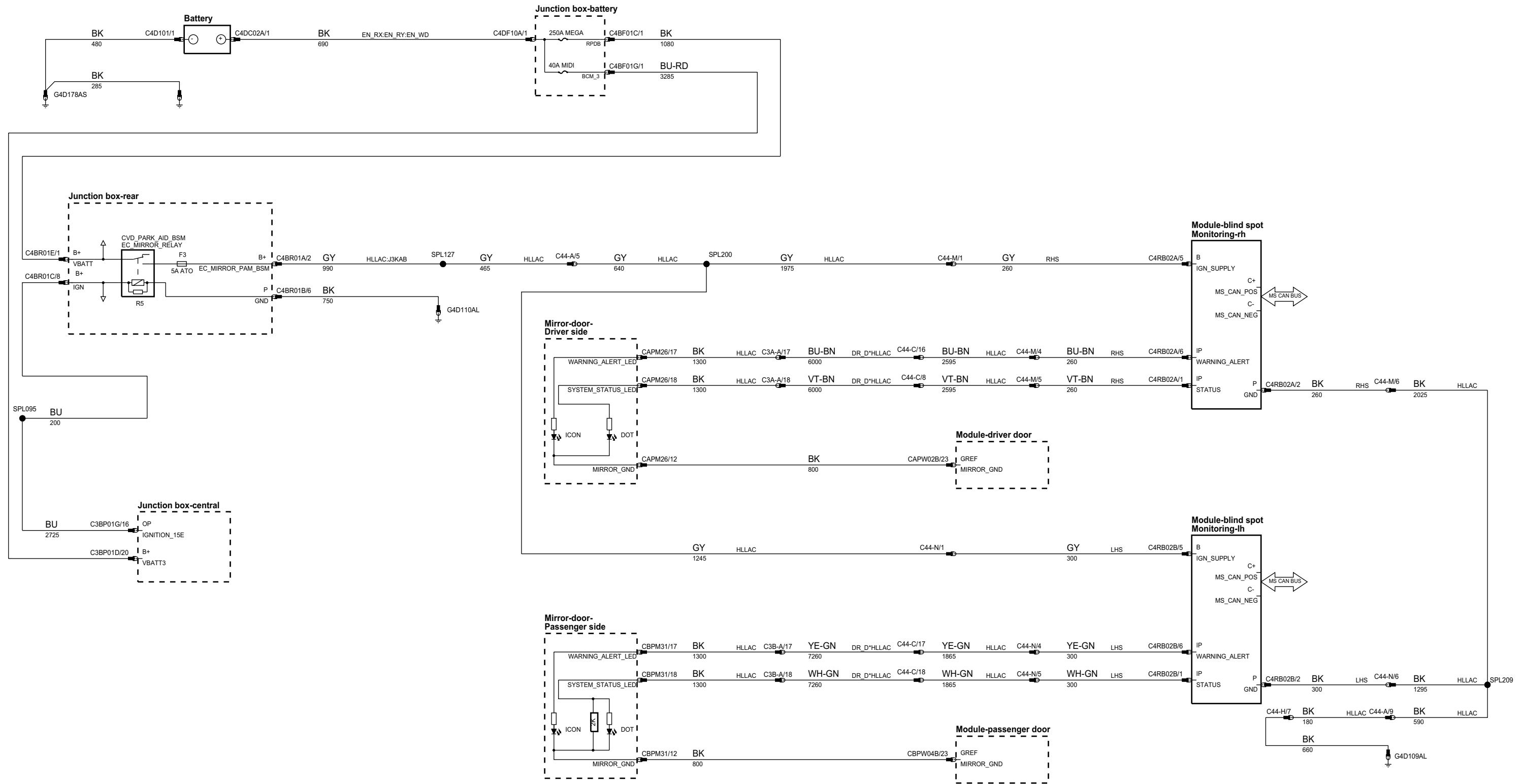
phcw93-70333-a-a3



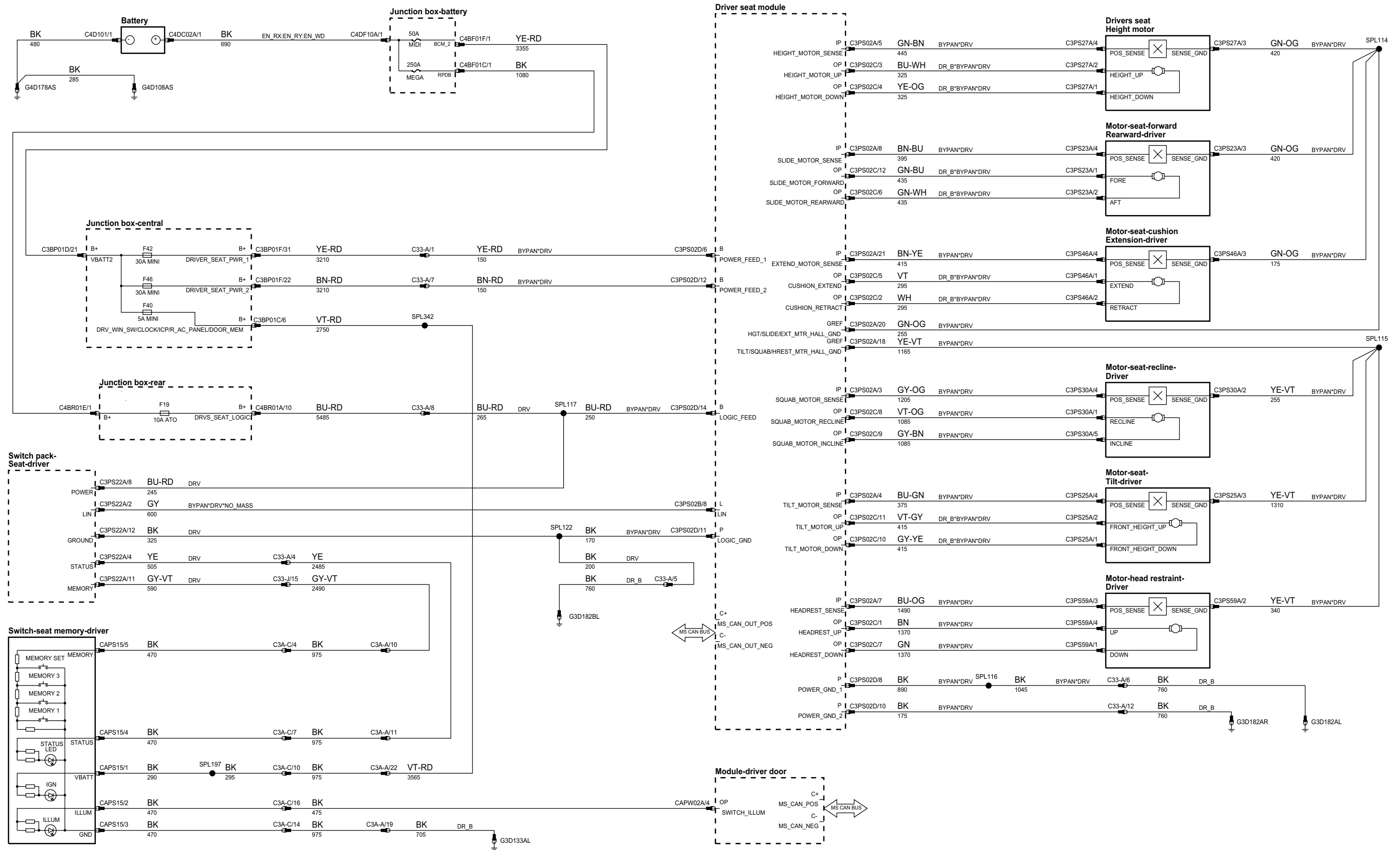
phcw93-70483-a-a3



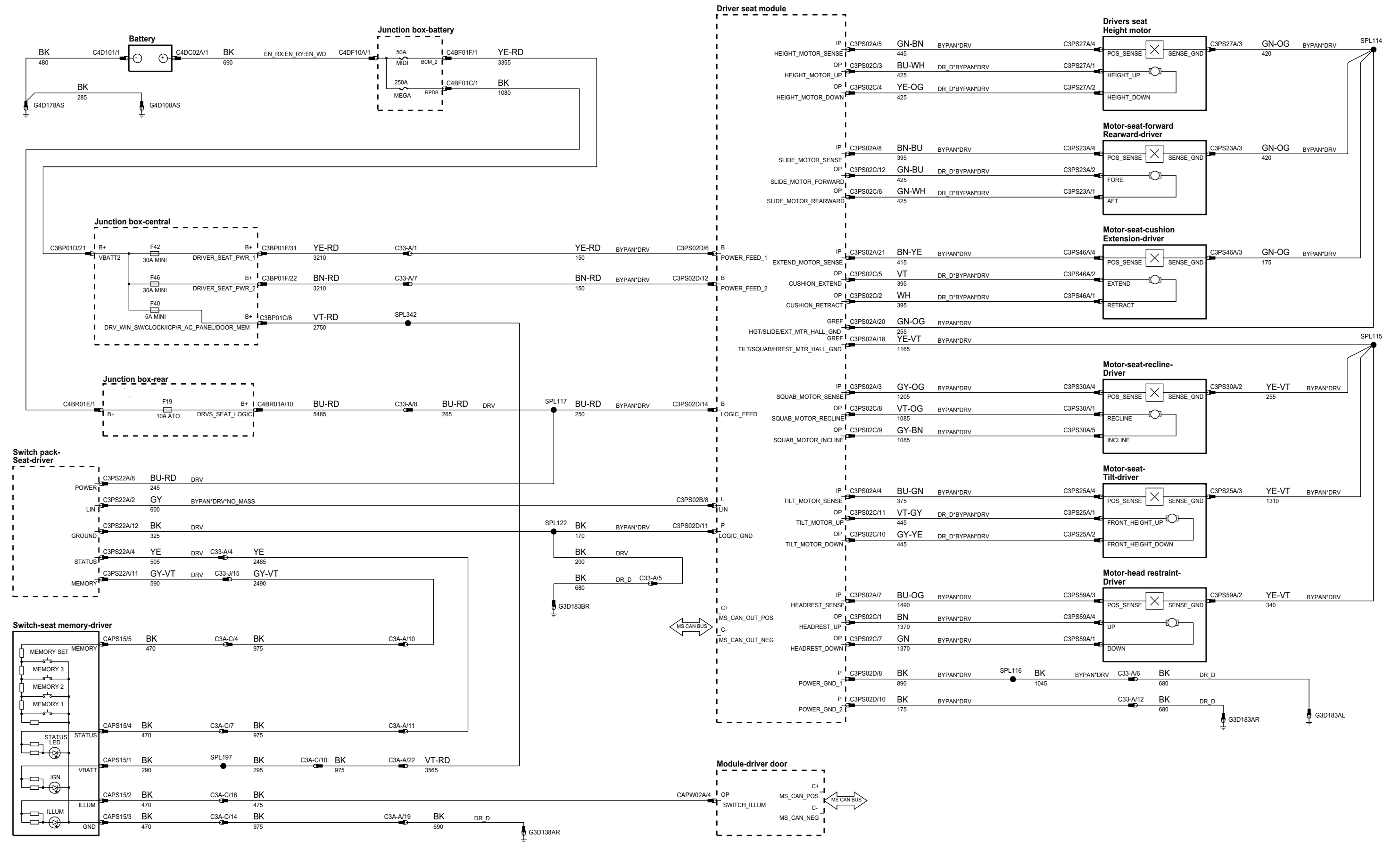
phcw93-70483-b-a3



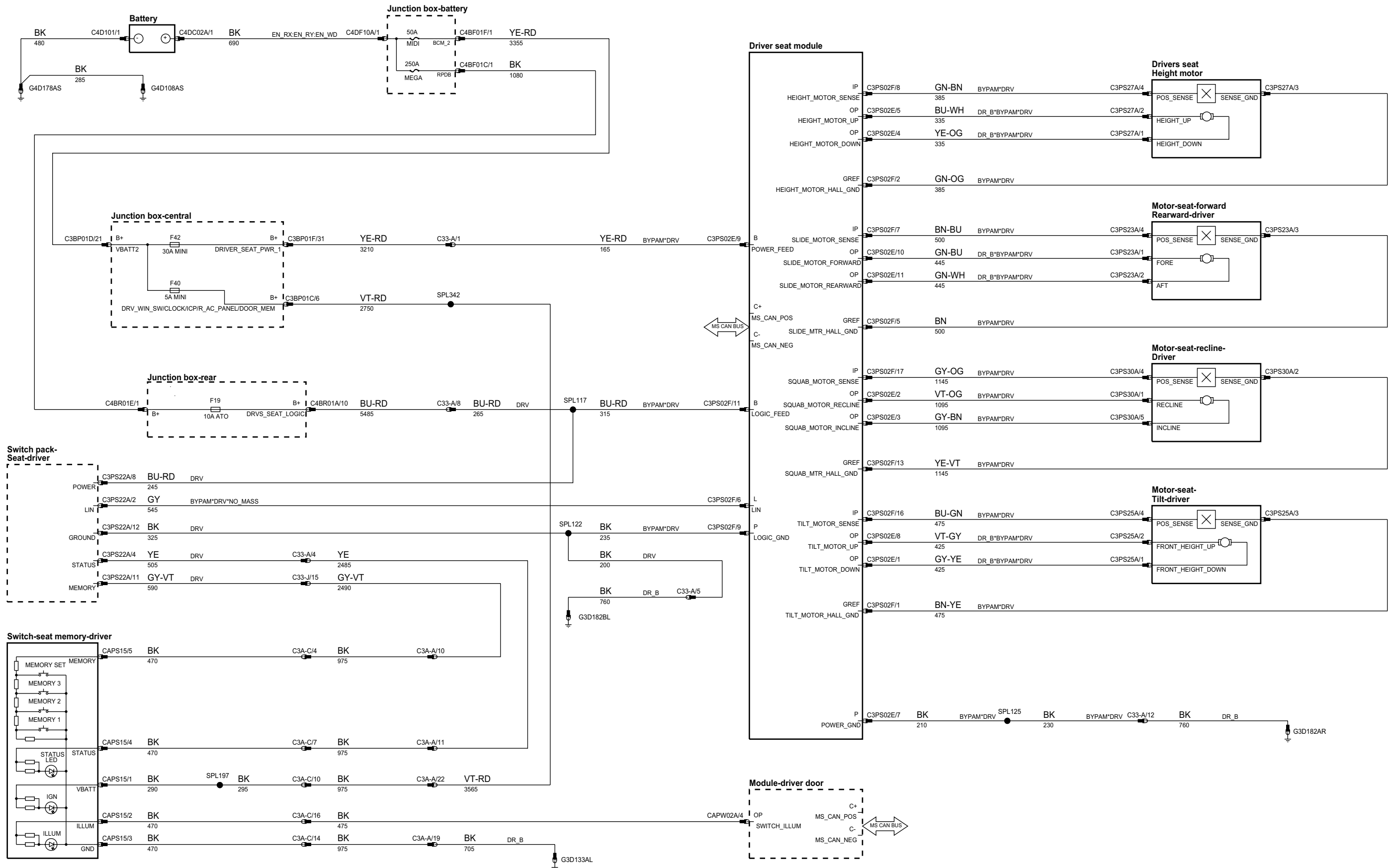
phcw93-70346-c-a3



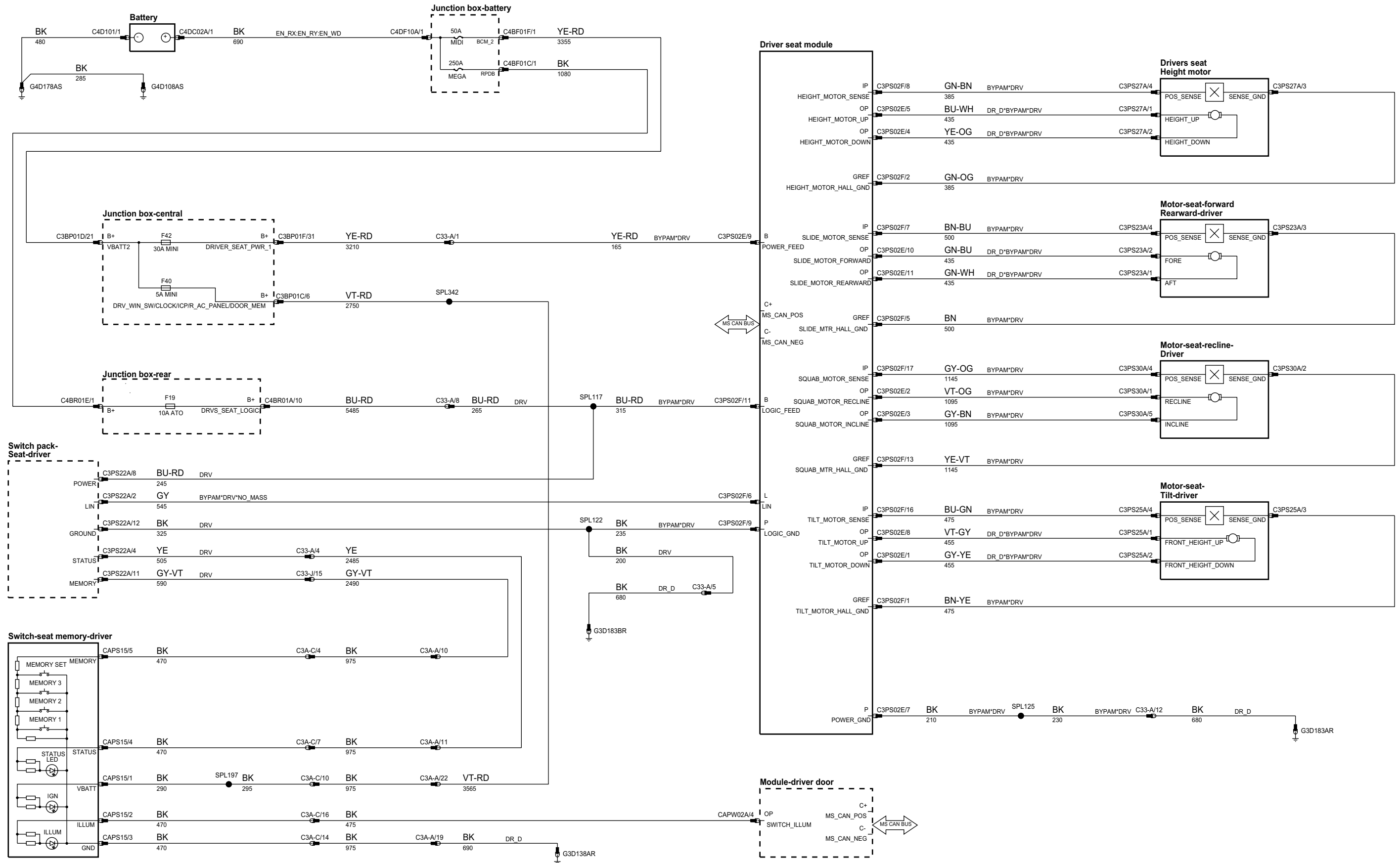
phcw93-70346-d-a3



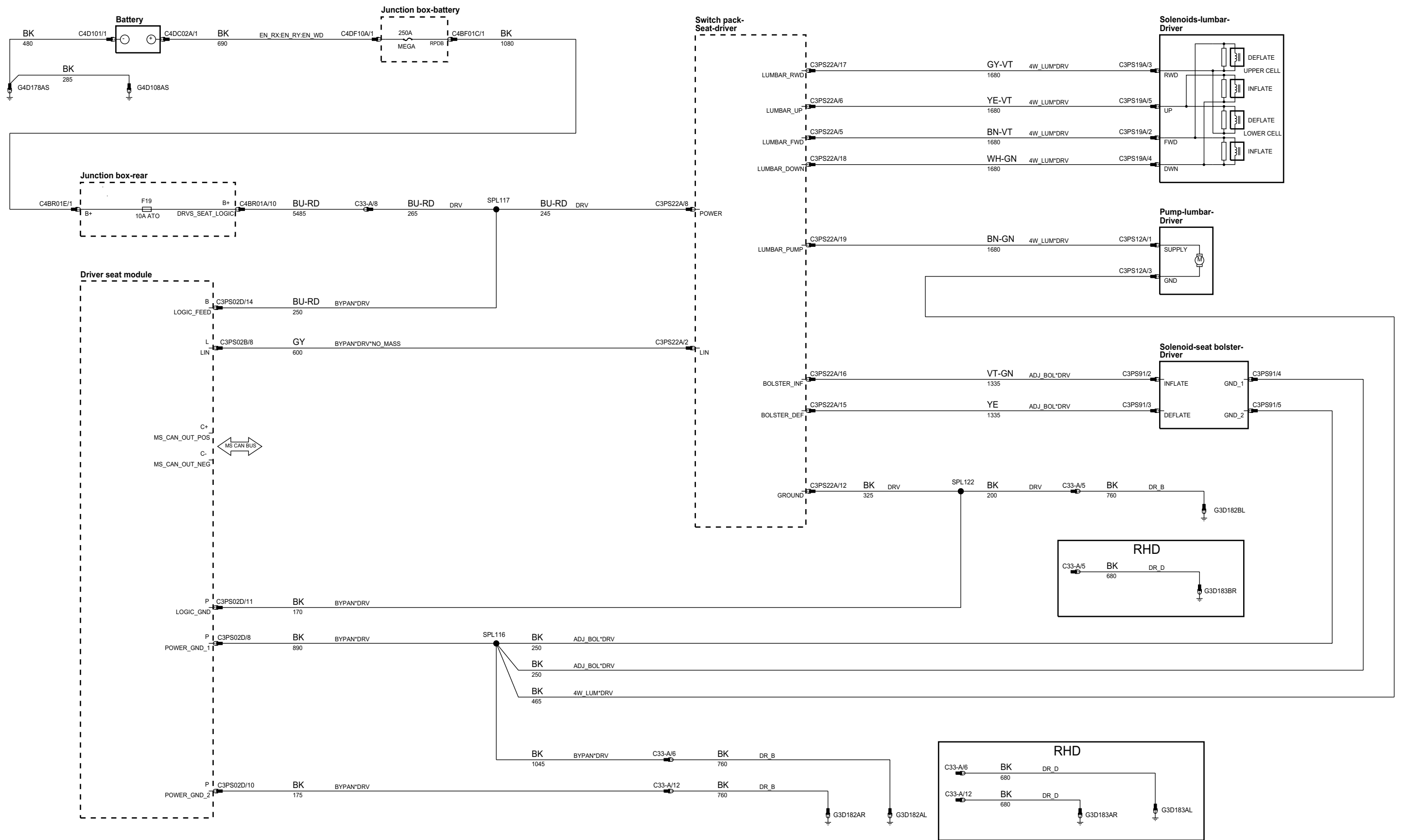
phcw93-70346-e-a3



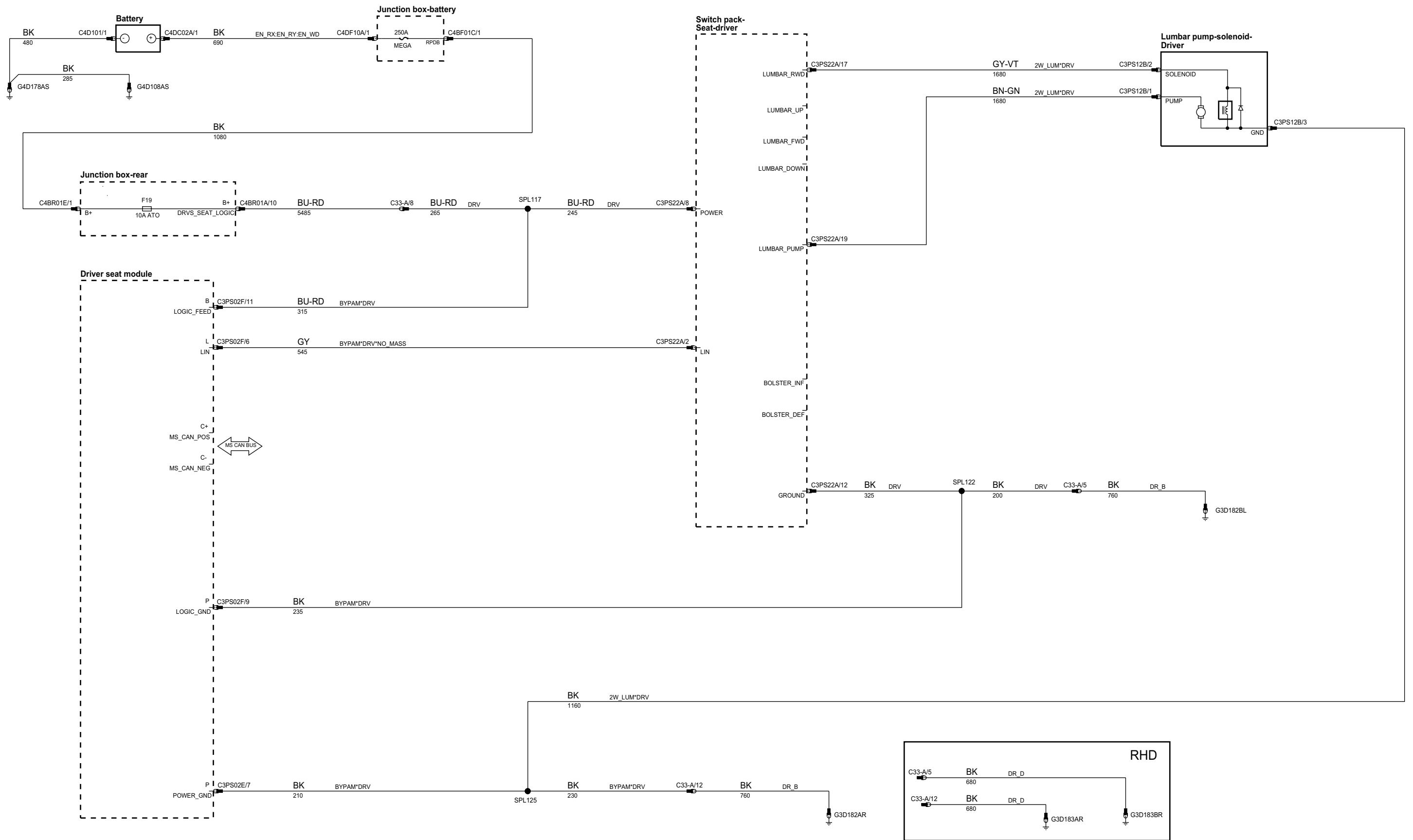
phcw93-70346-f-a3



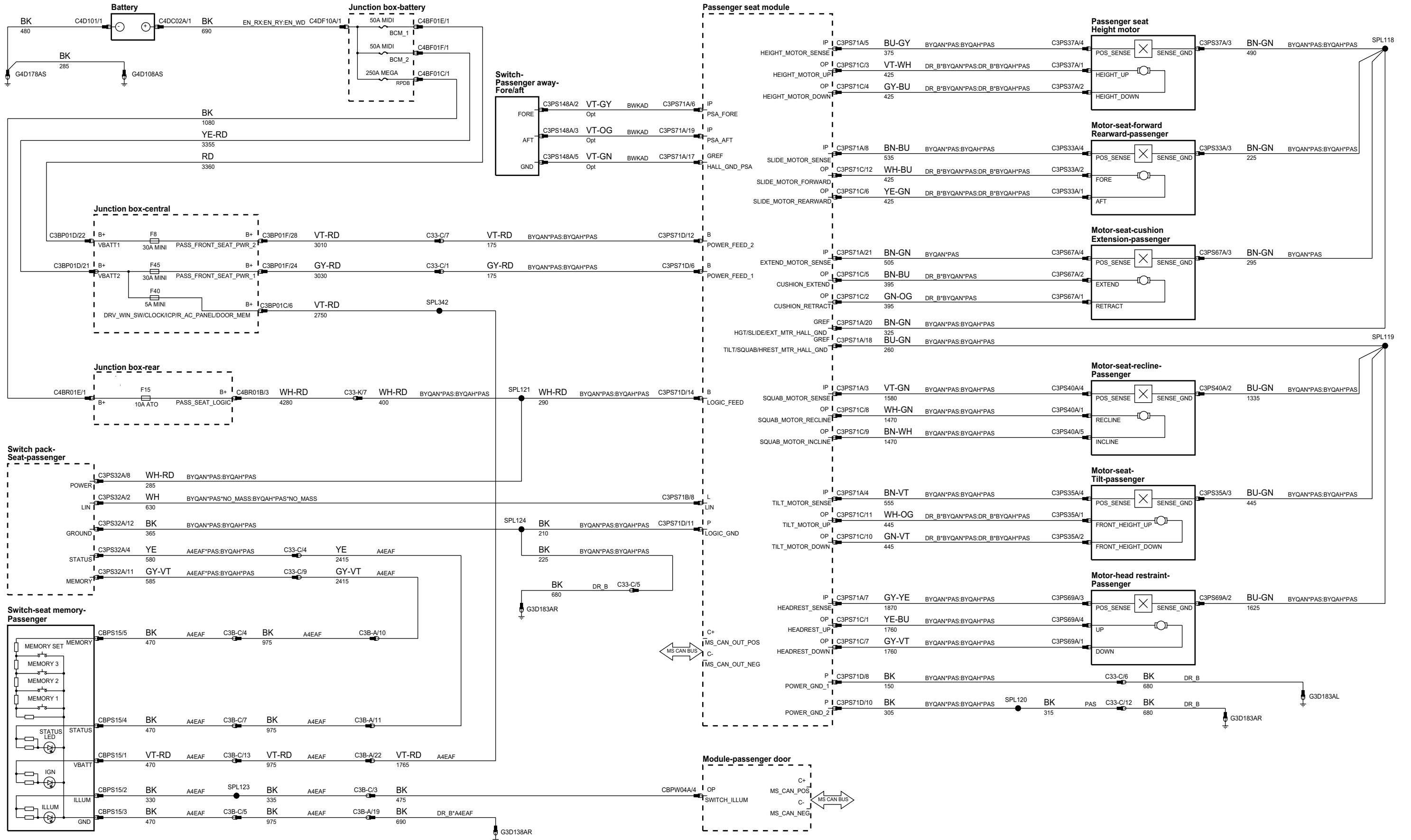
phcw93-70348-a-a3



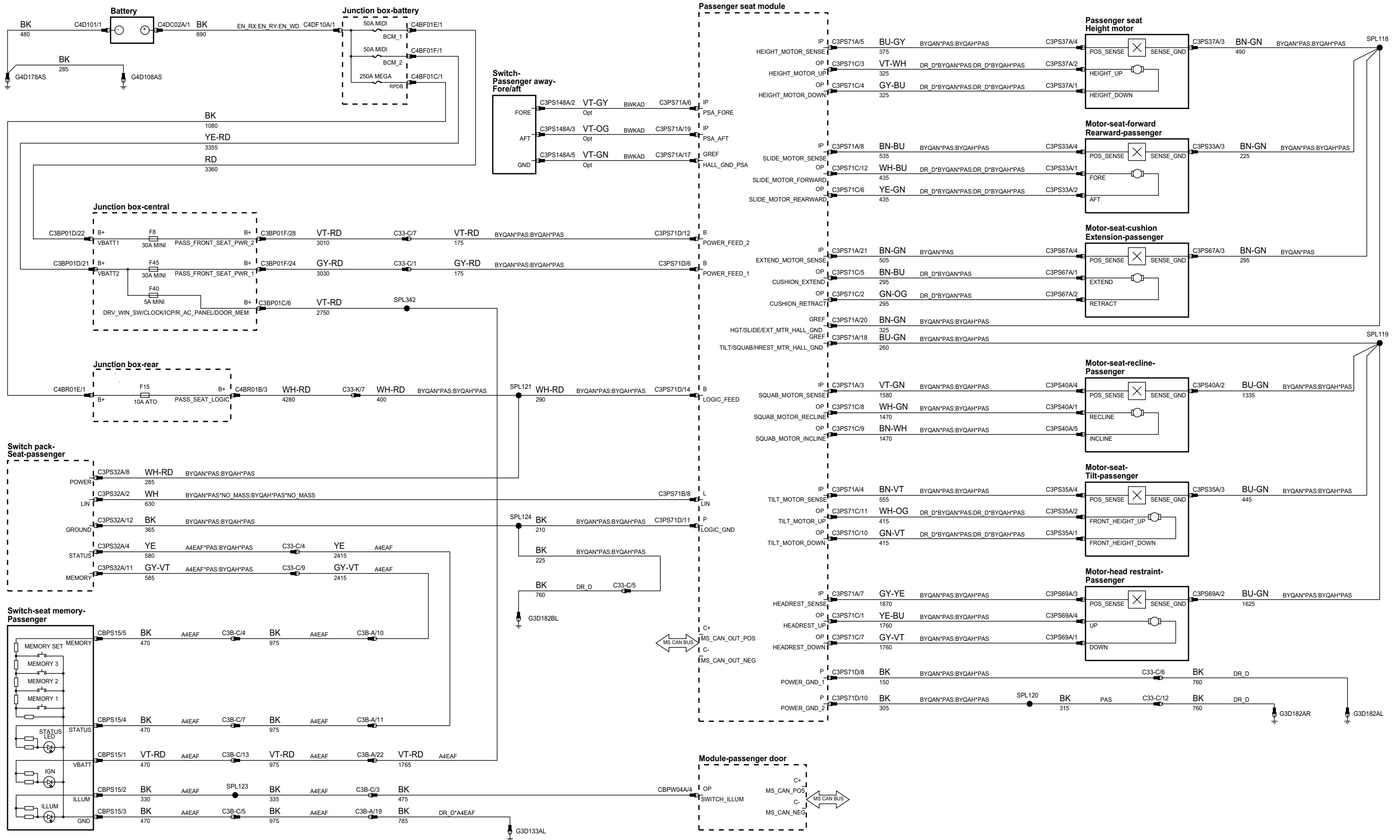
phcw93-70348-c-a3



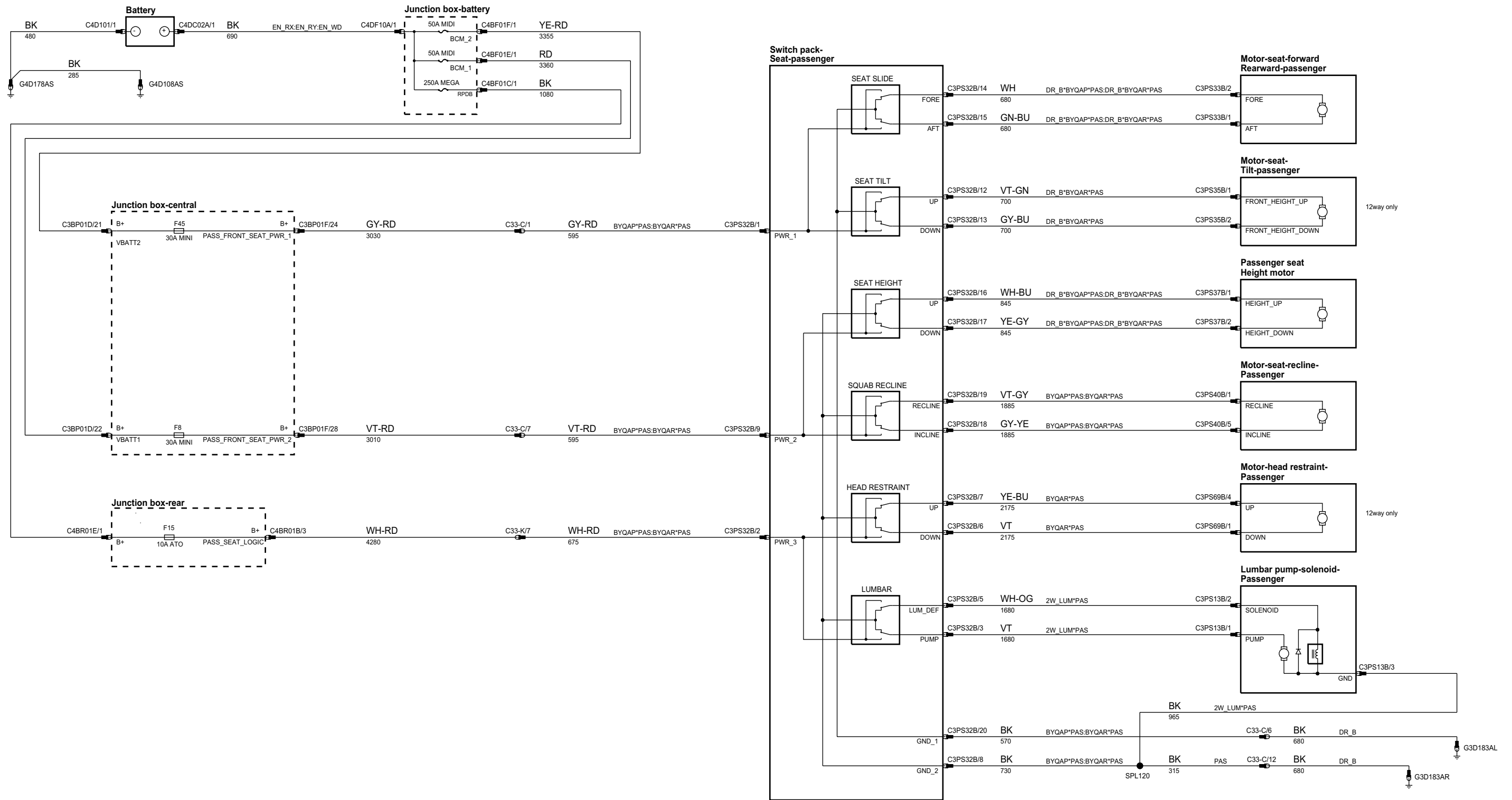
phcw93-70346-a-a3



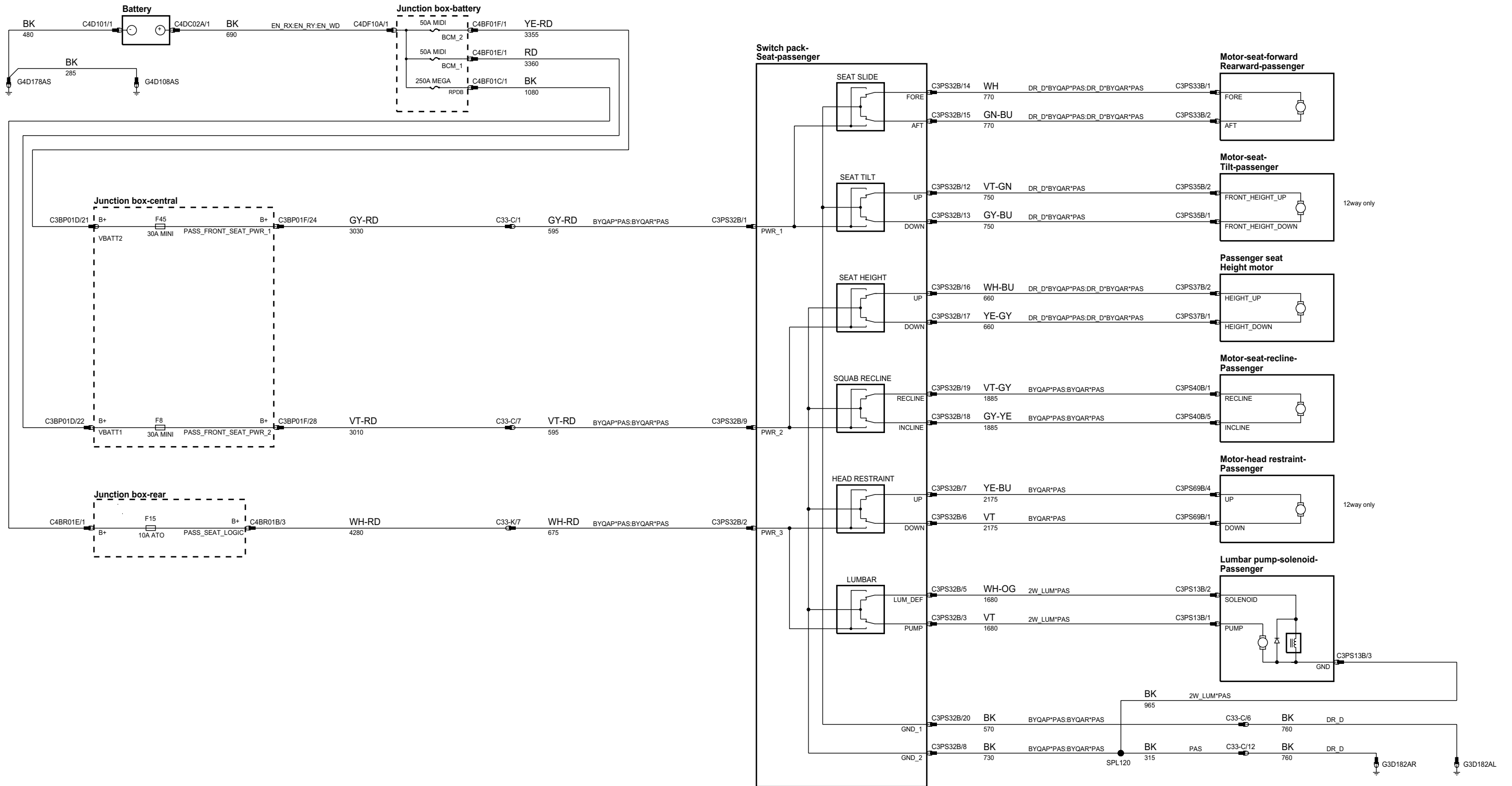
phcw93-70346-b-a3



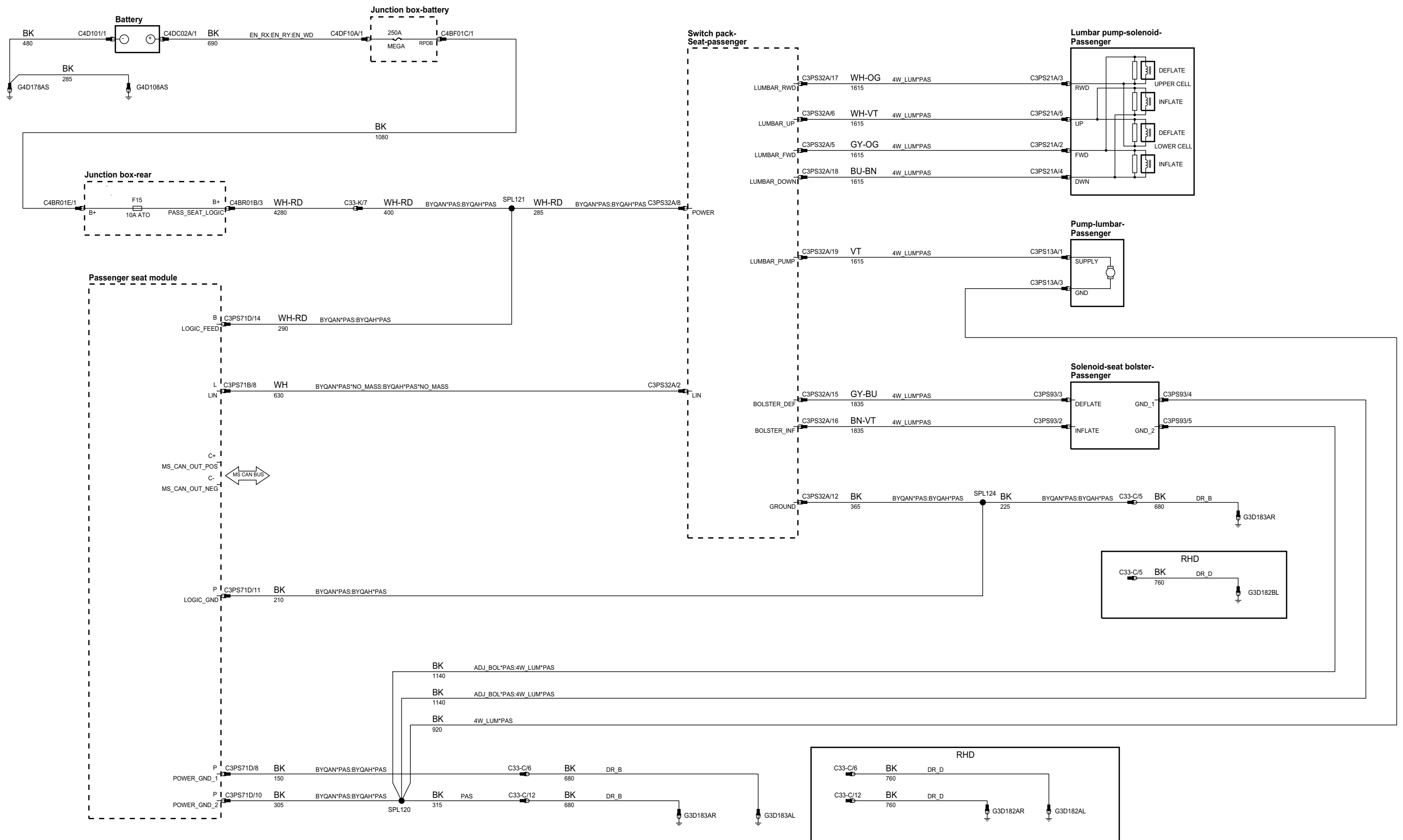
phcw93-70343-a-a3



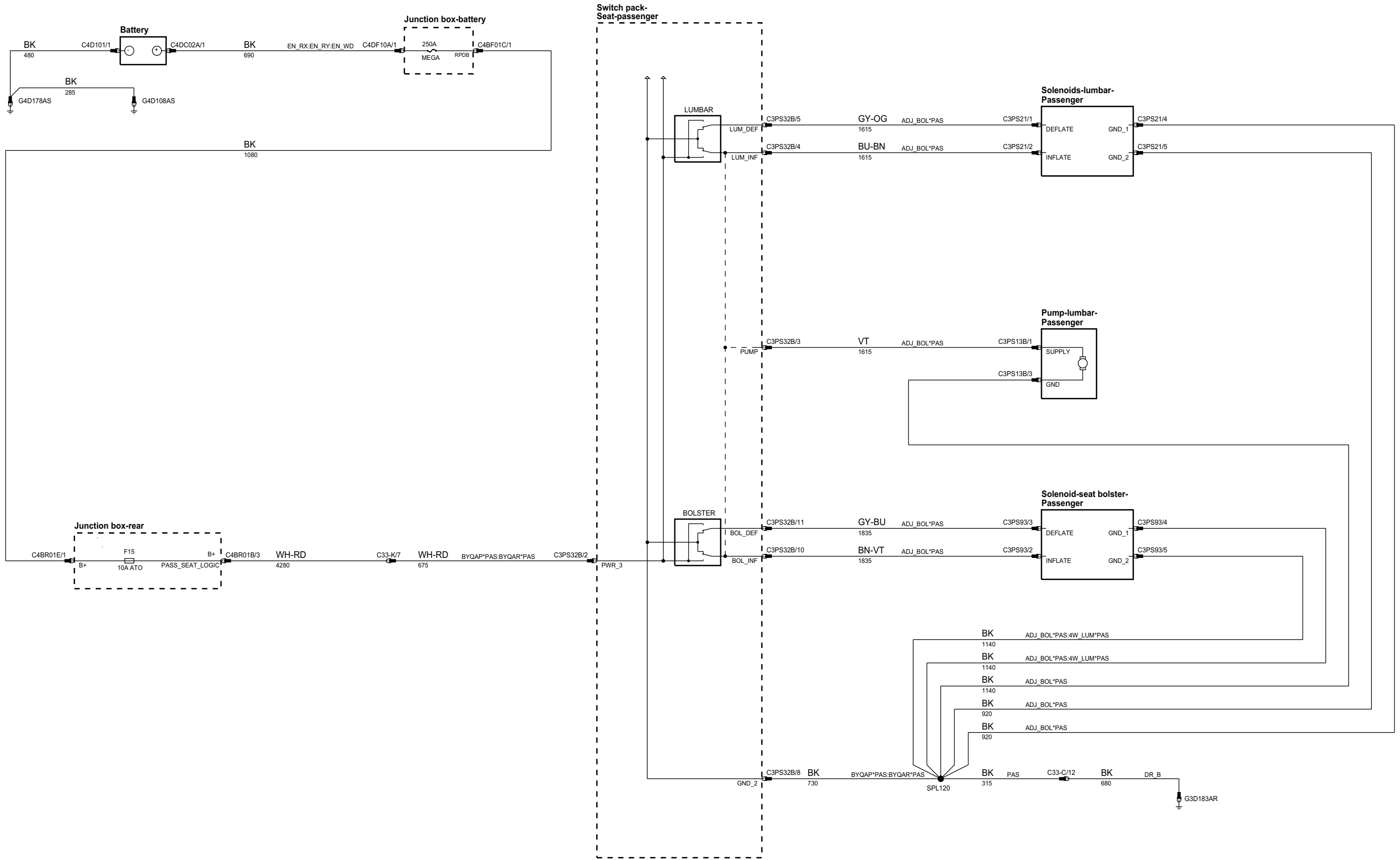
phcw93-70343-b-a3



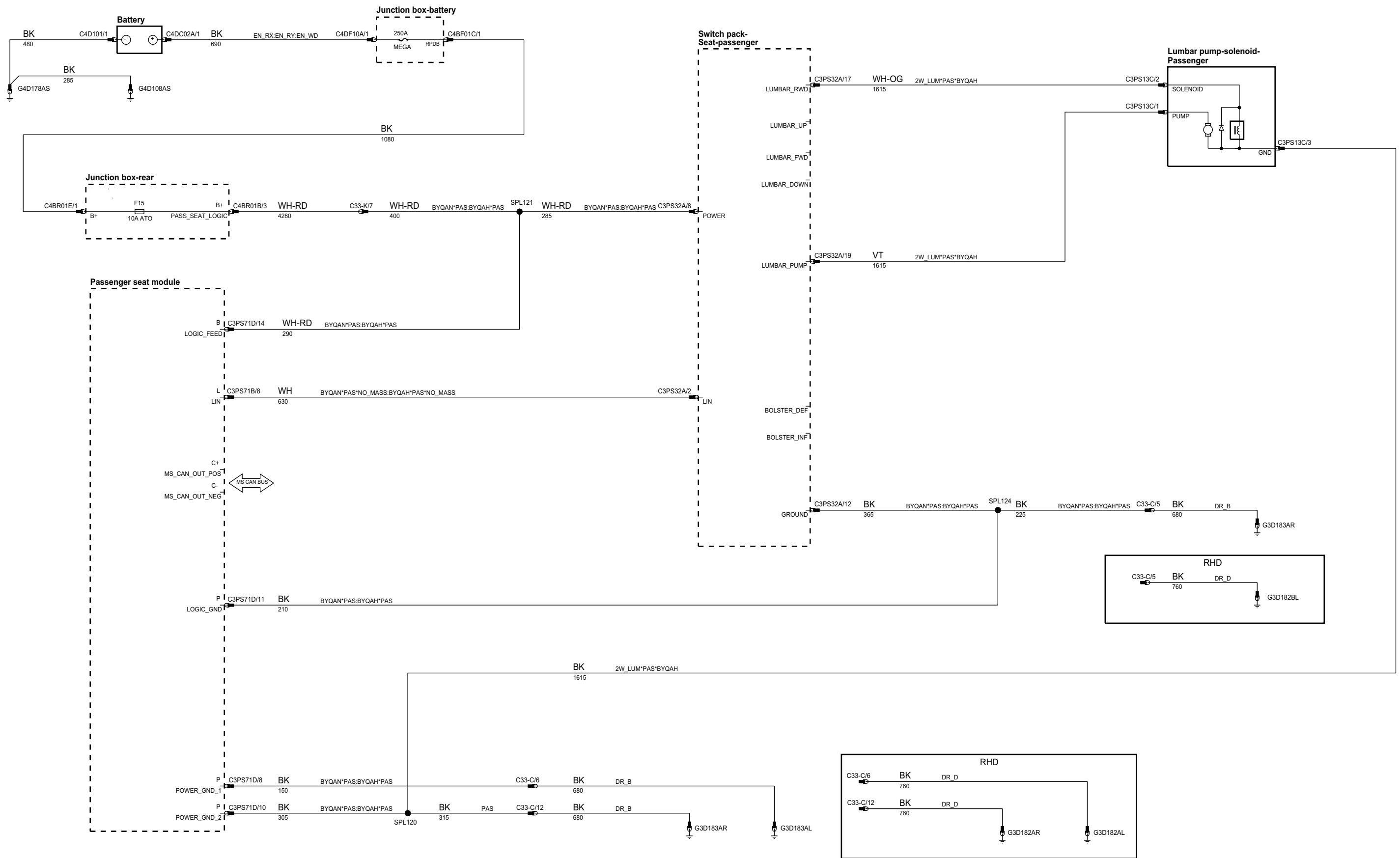
phcw93-70348-b-a3



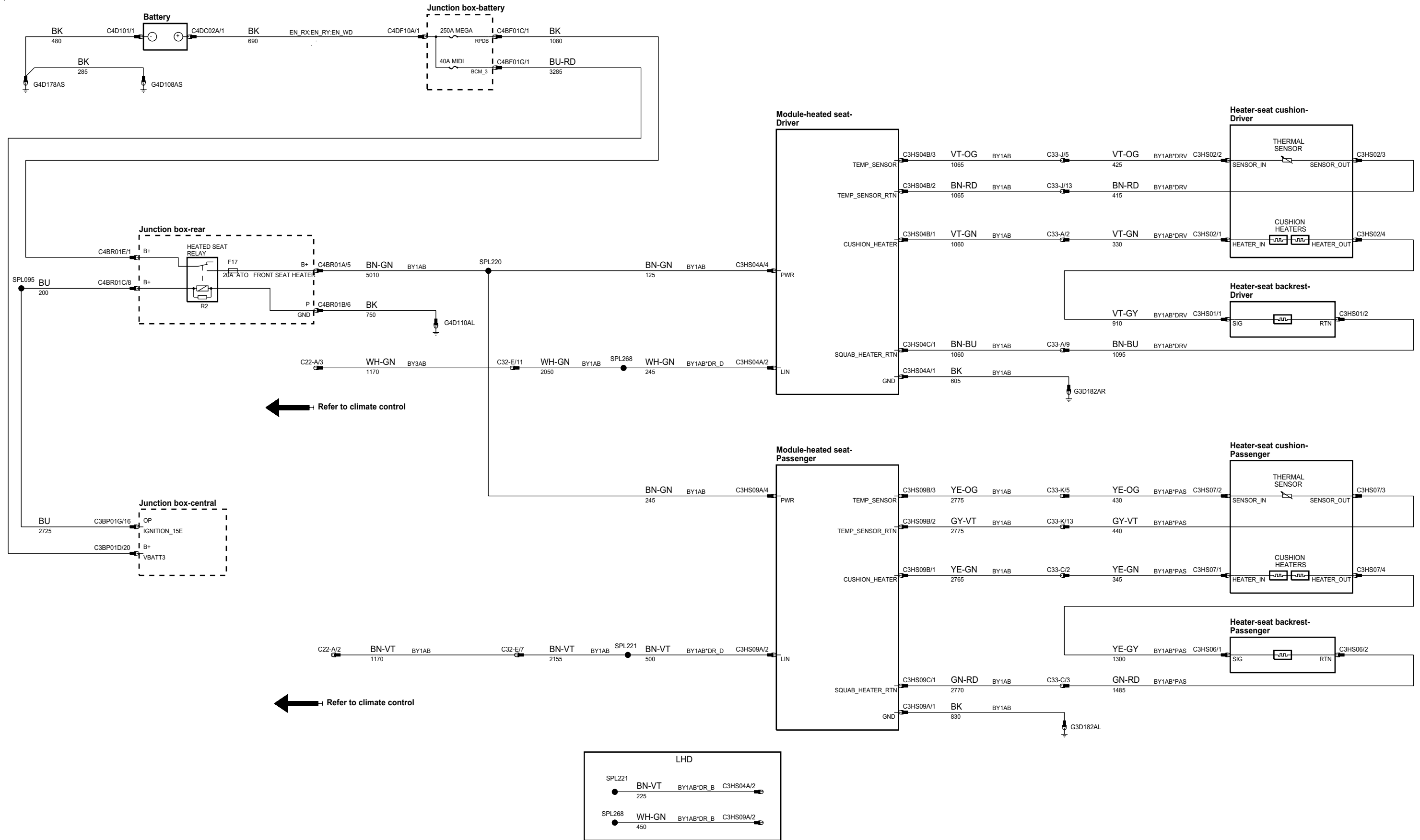
phcw93-70348-d-a3



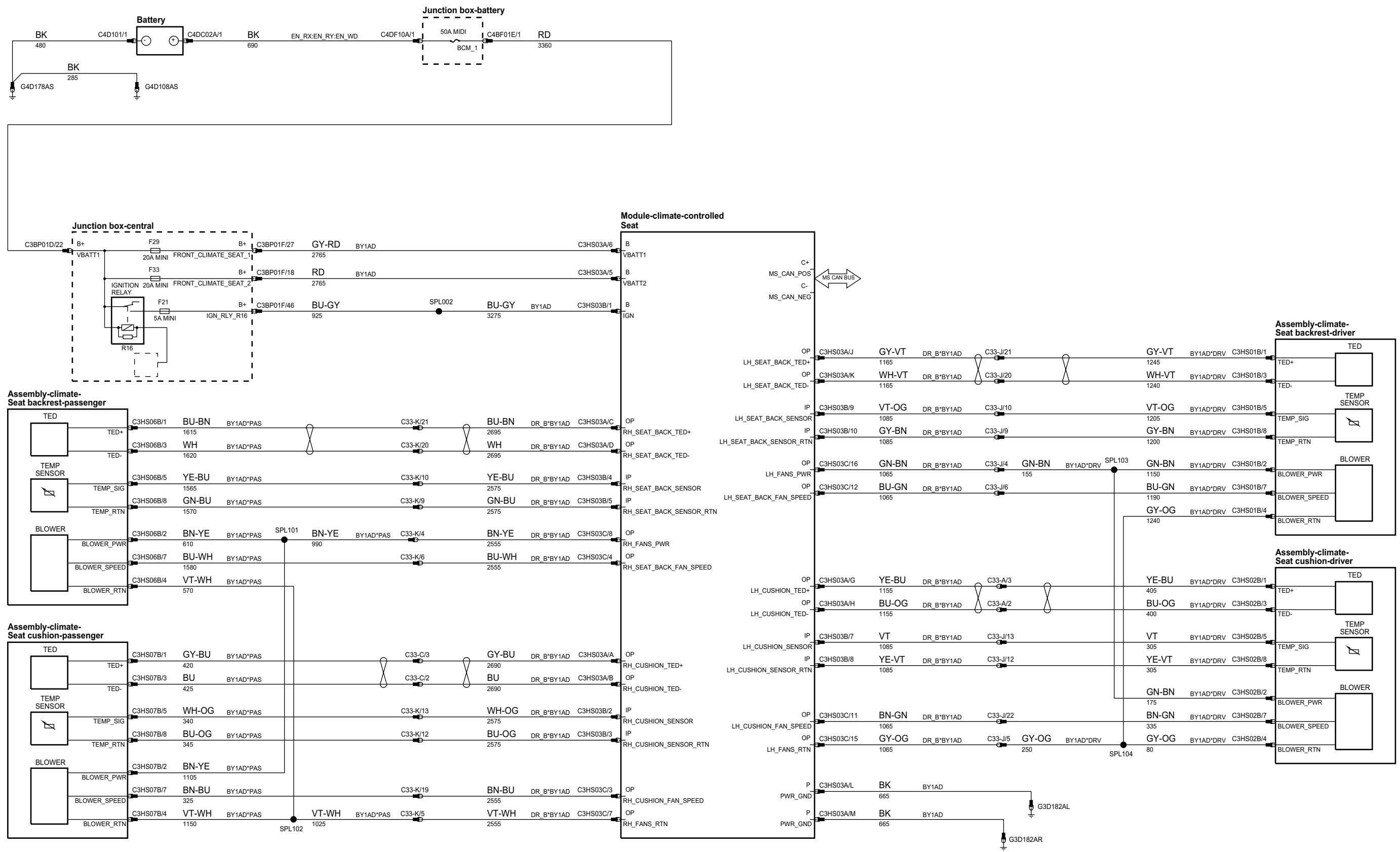
phcw93-70348-h-a3



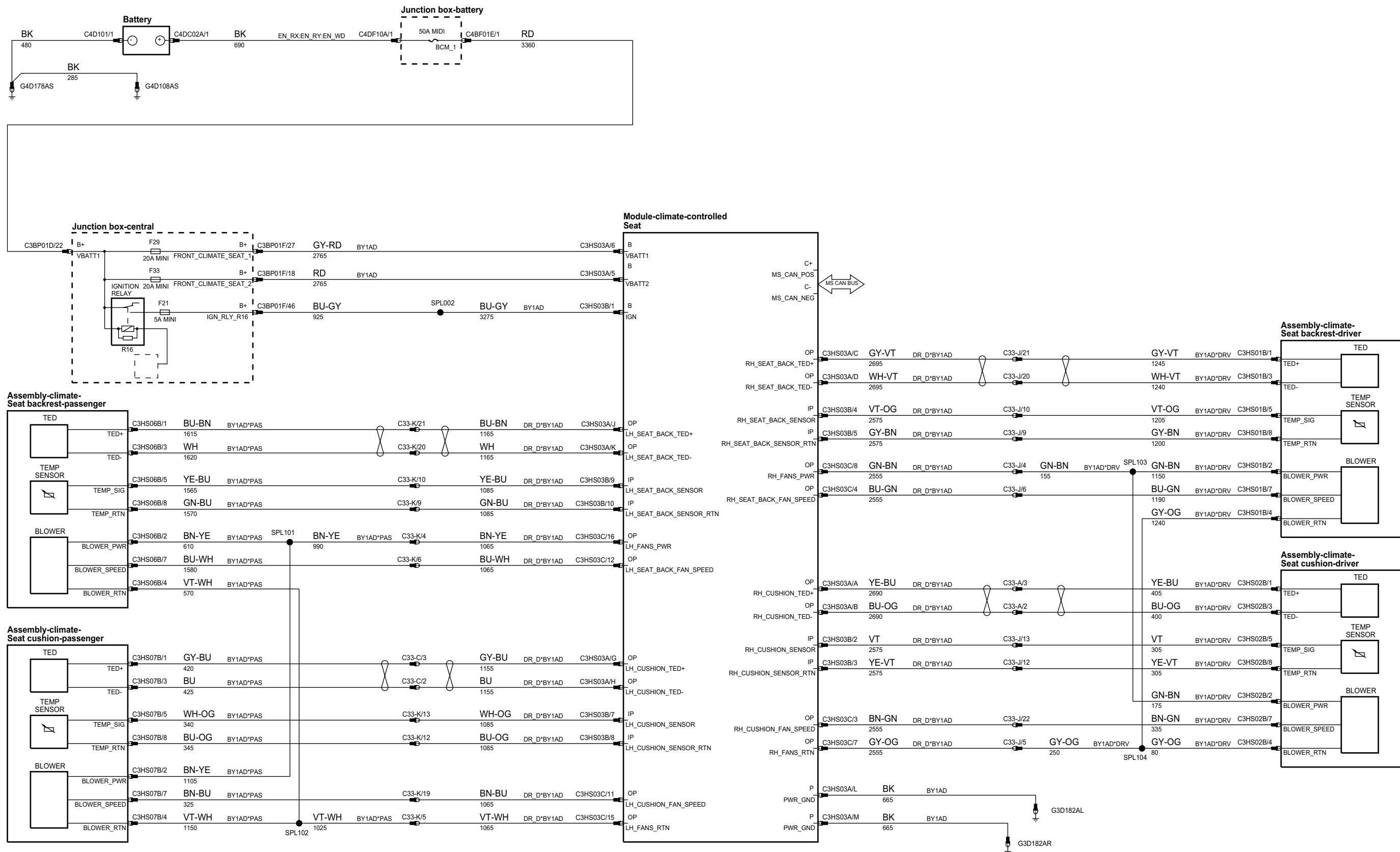
phcw93-70347-d-a3



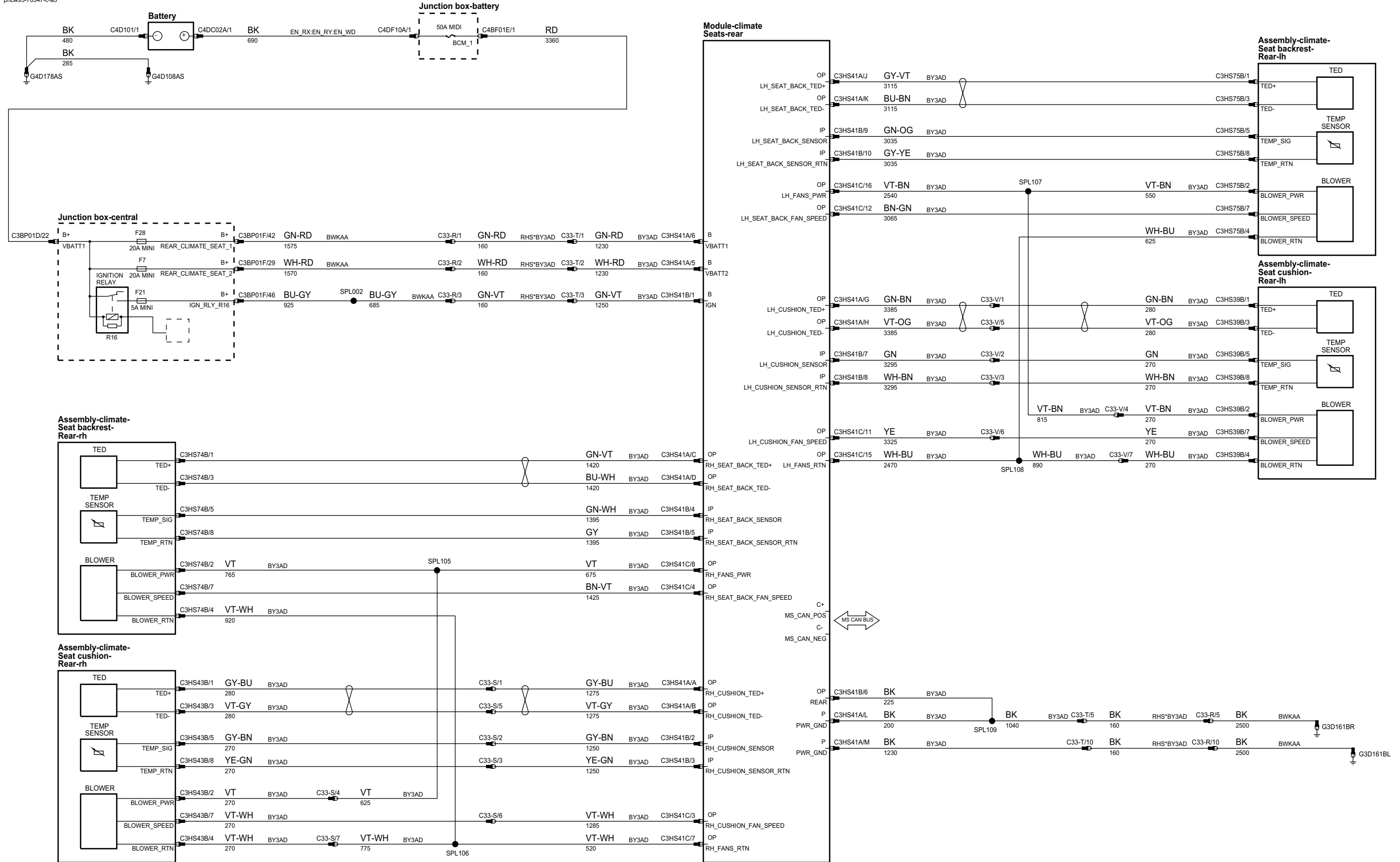
phcw93-70347-a-a3



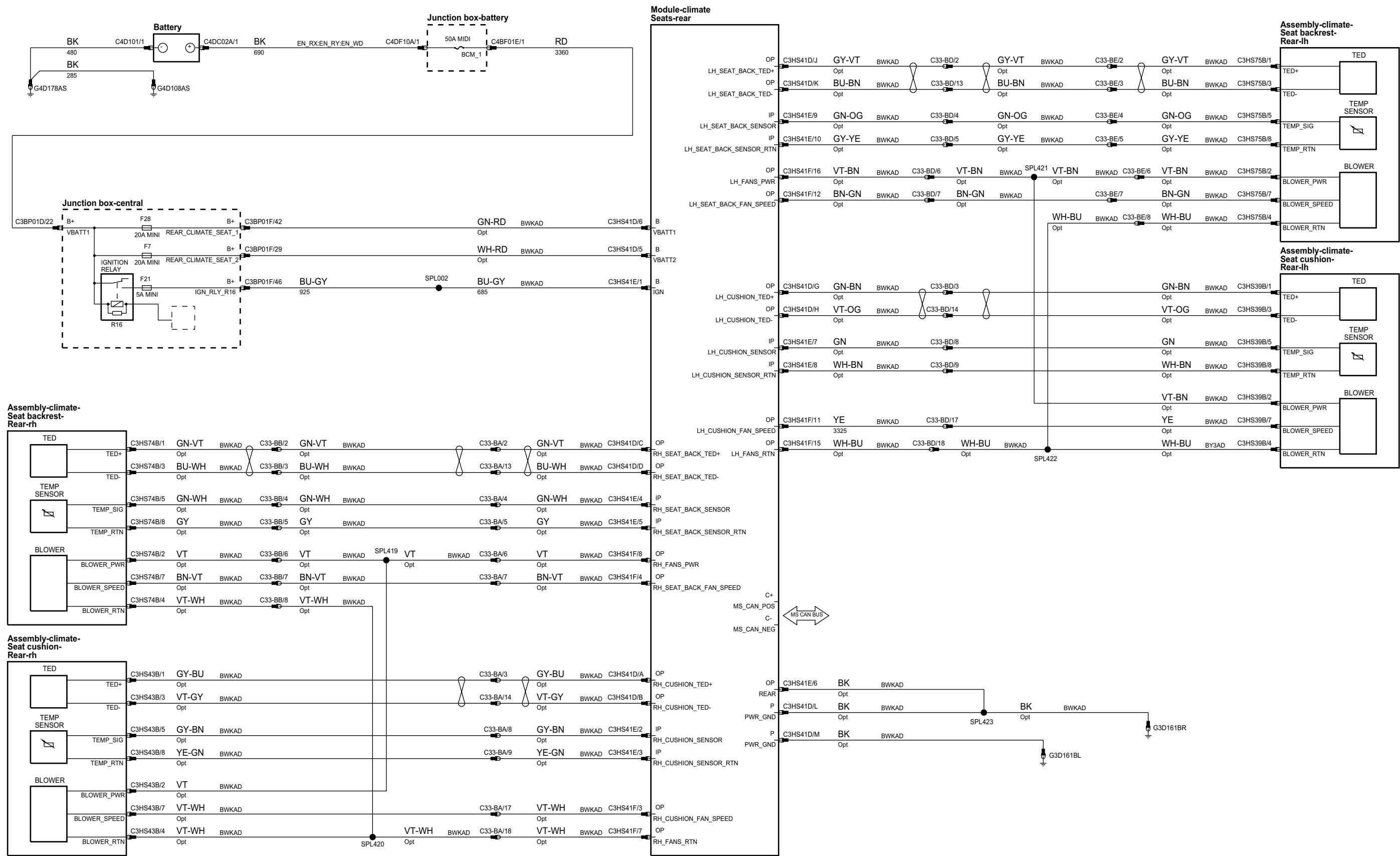
phcw93-70347-b-a3



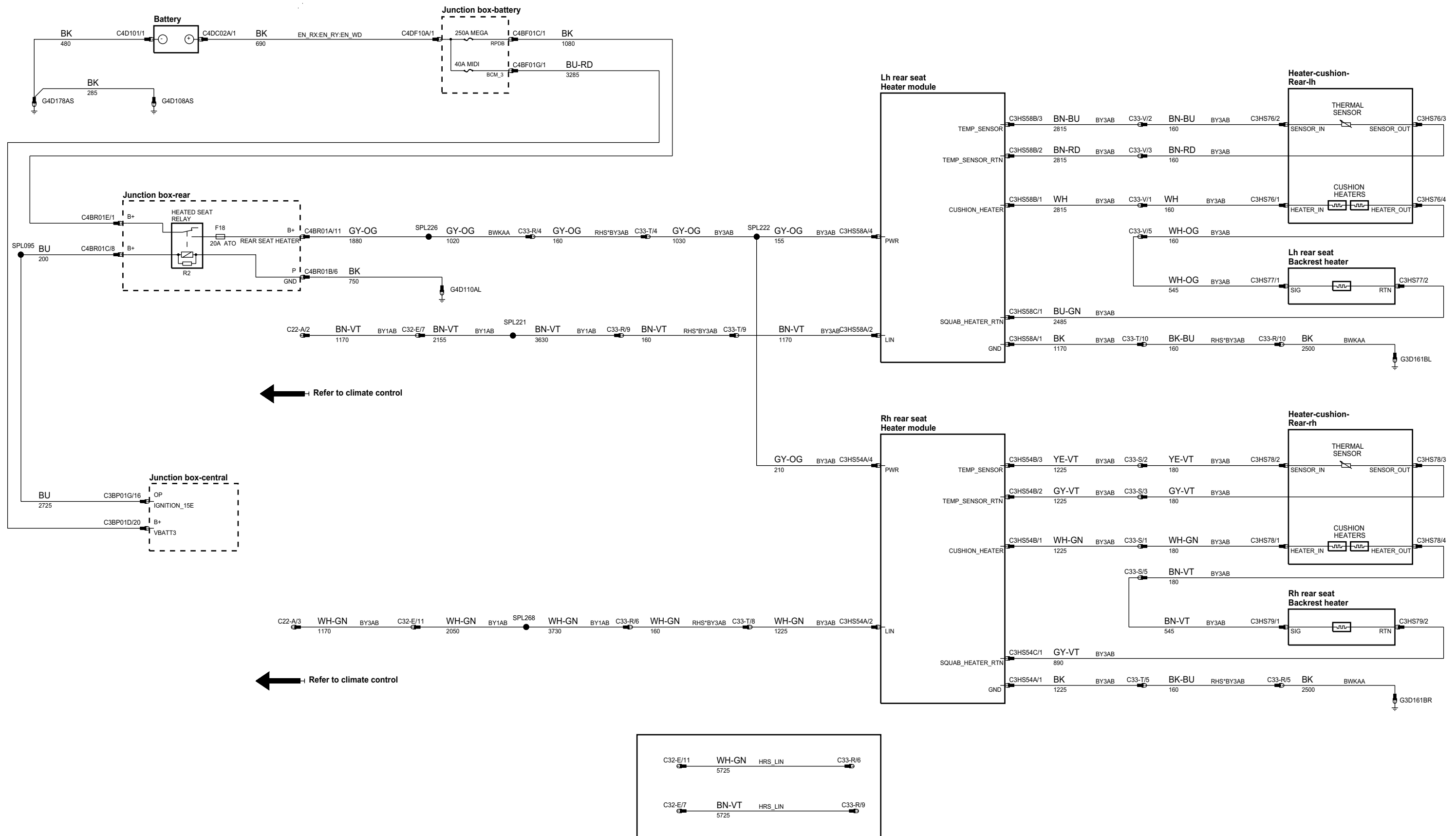
phcw93-70347-c-a3



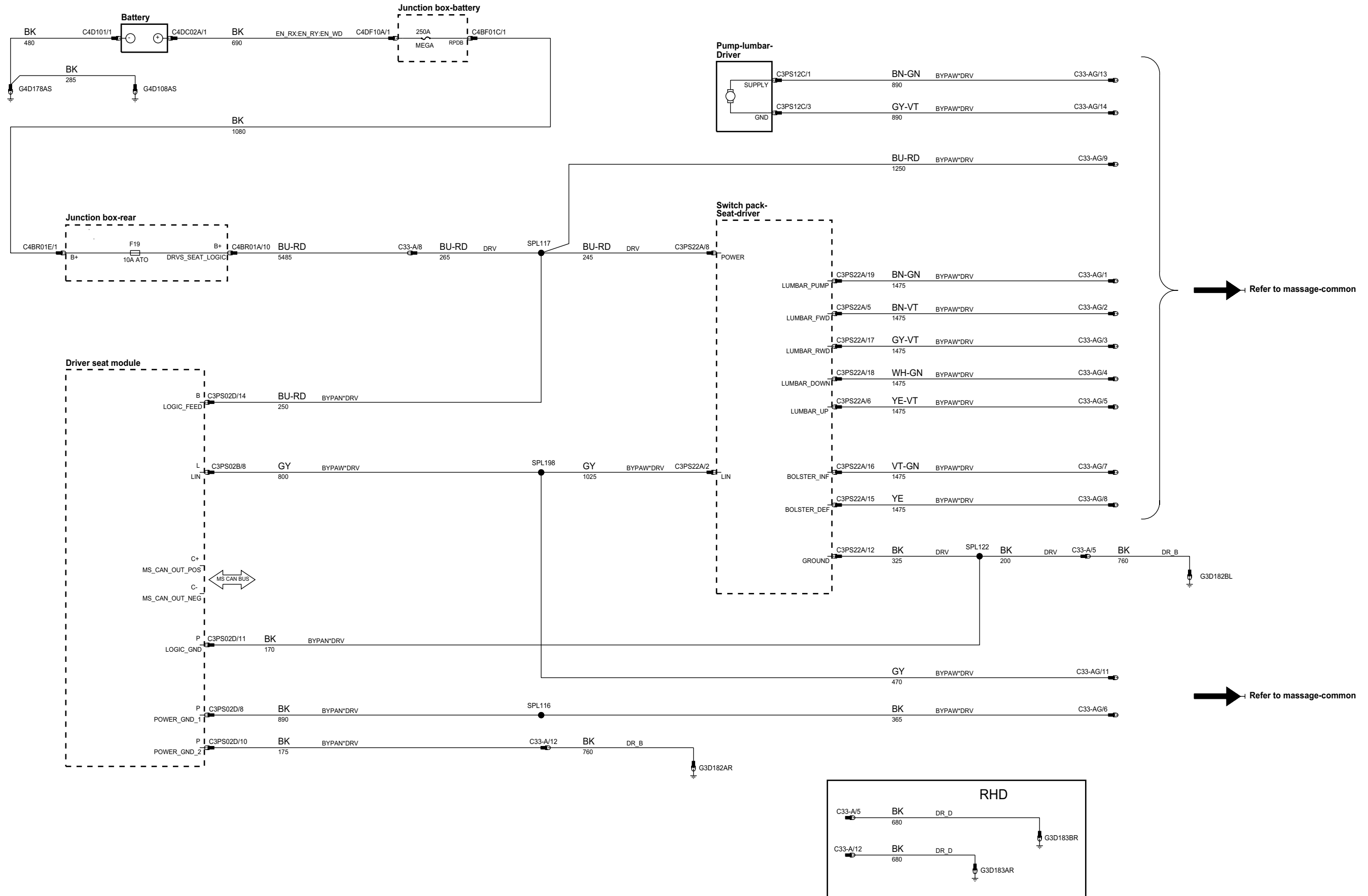
phcw93-70347-f-a3



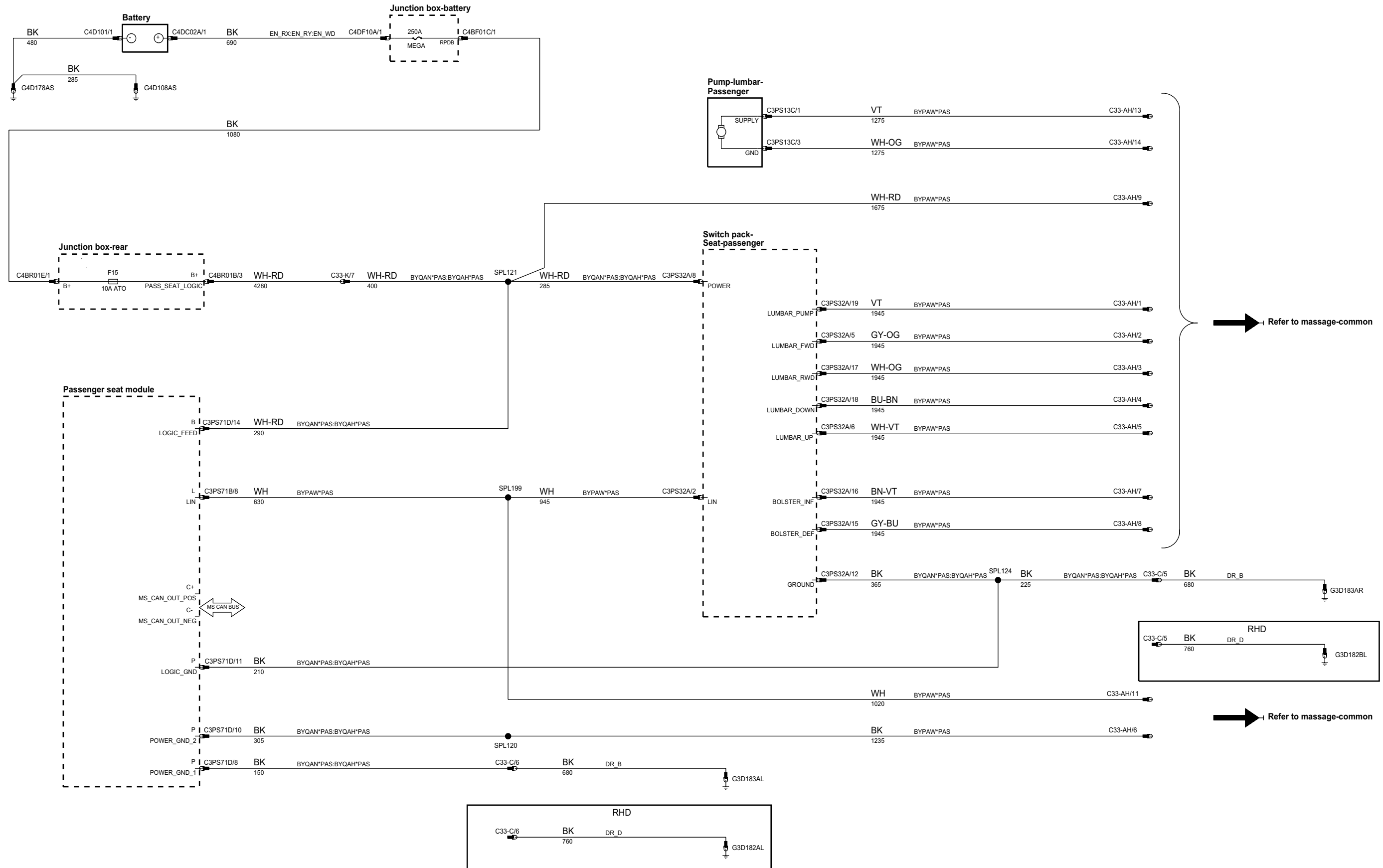
phcw93-70347-e-a3



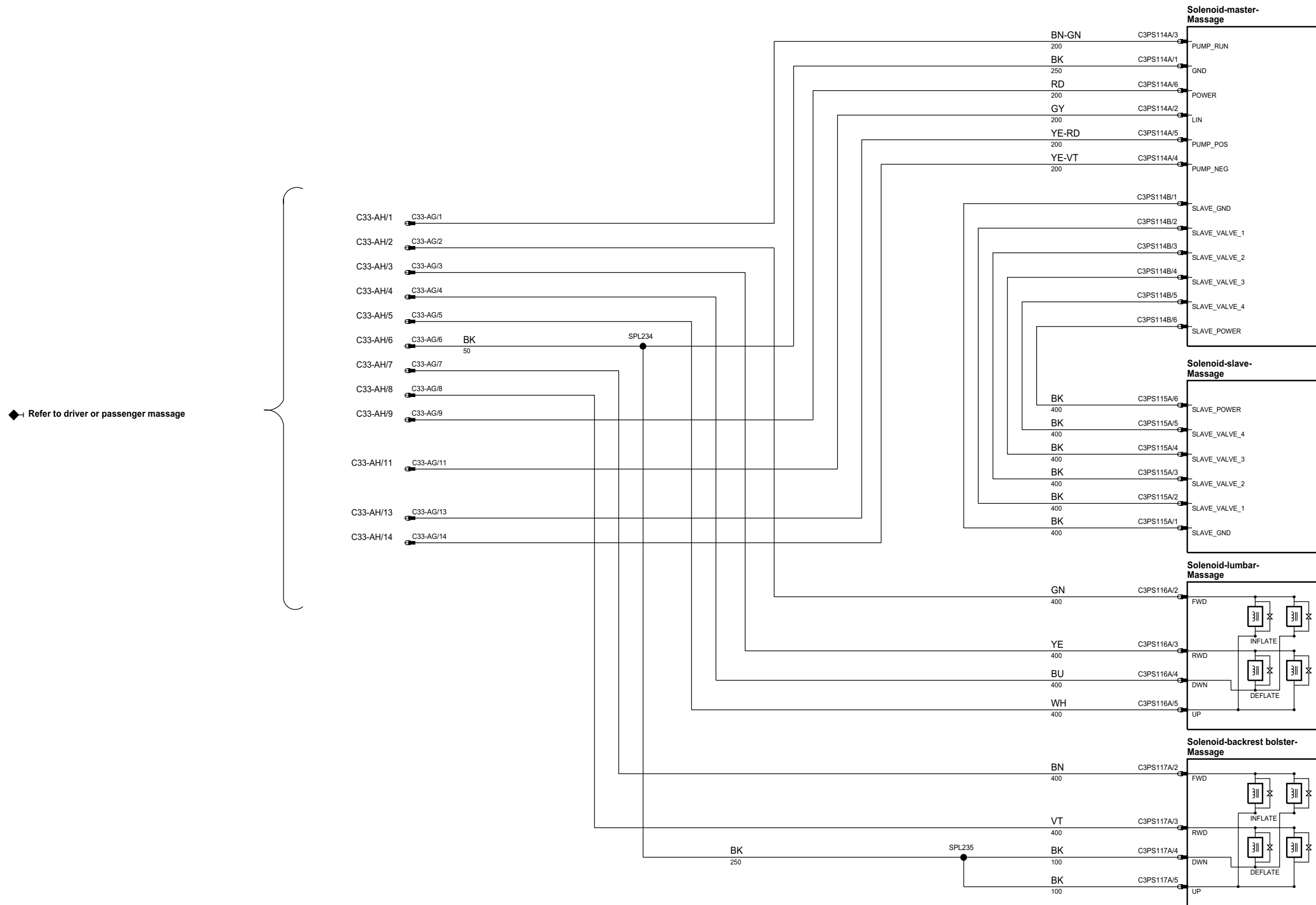
phcw93-70348-e-a3



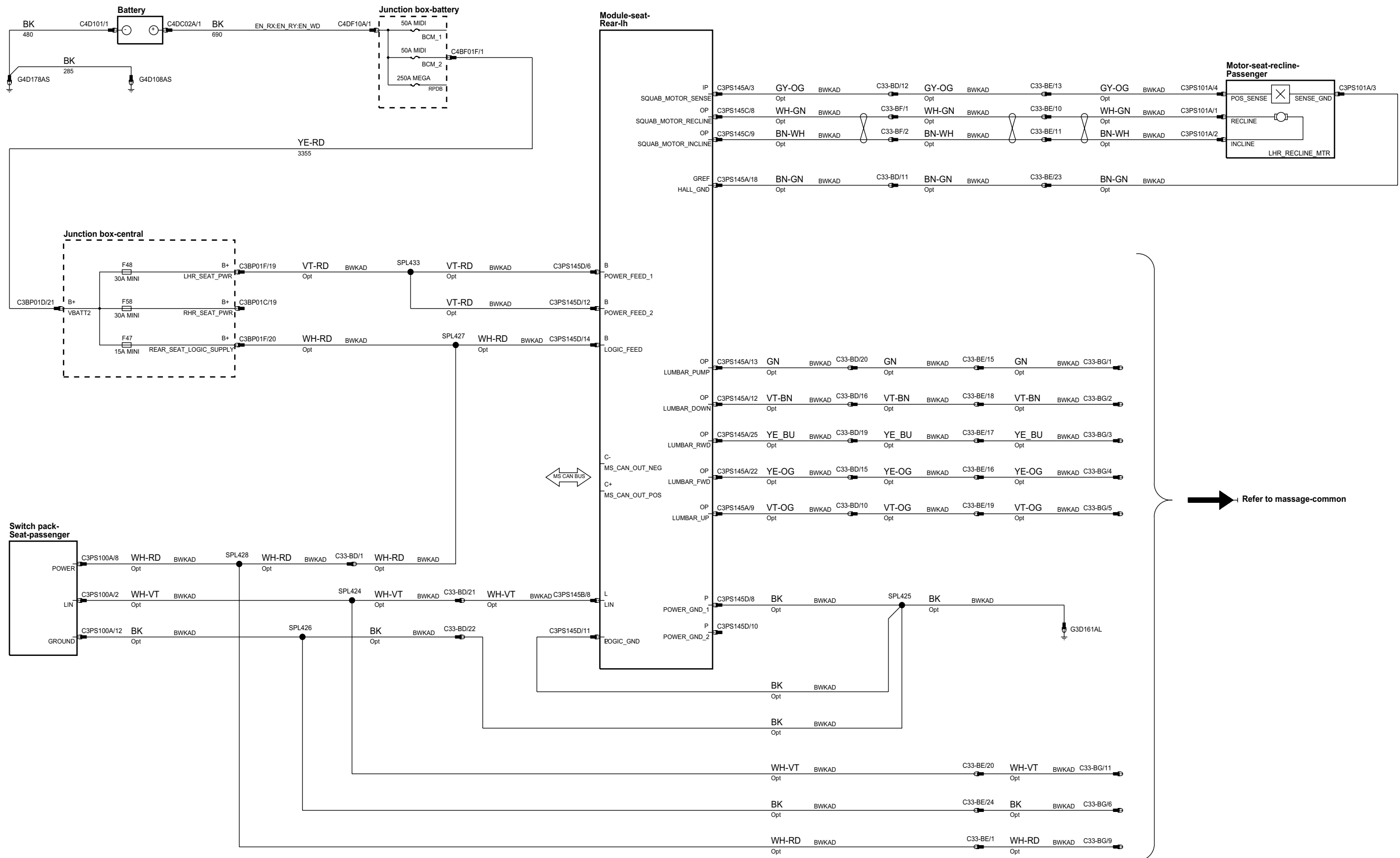
phcw93-70348-f-a3



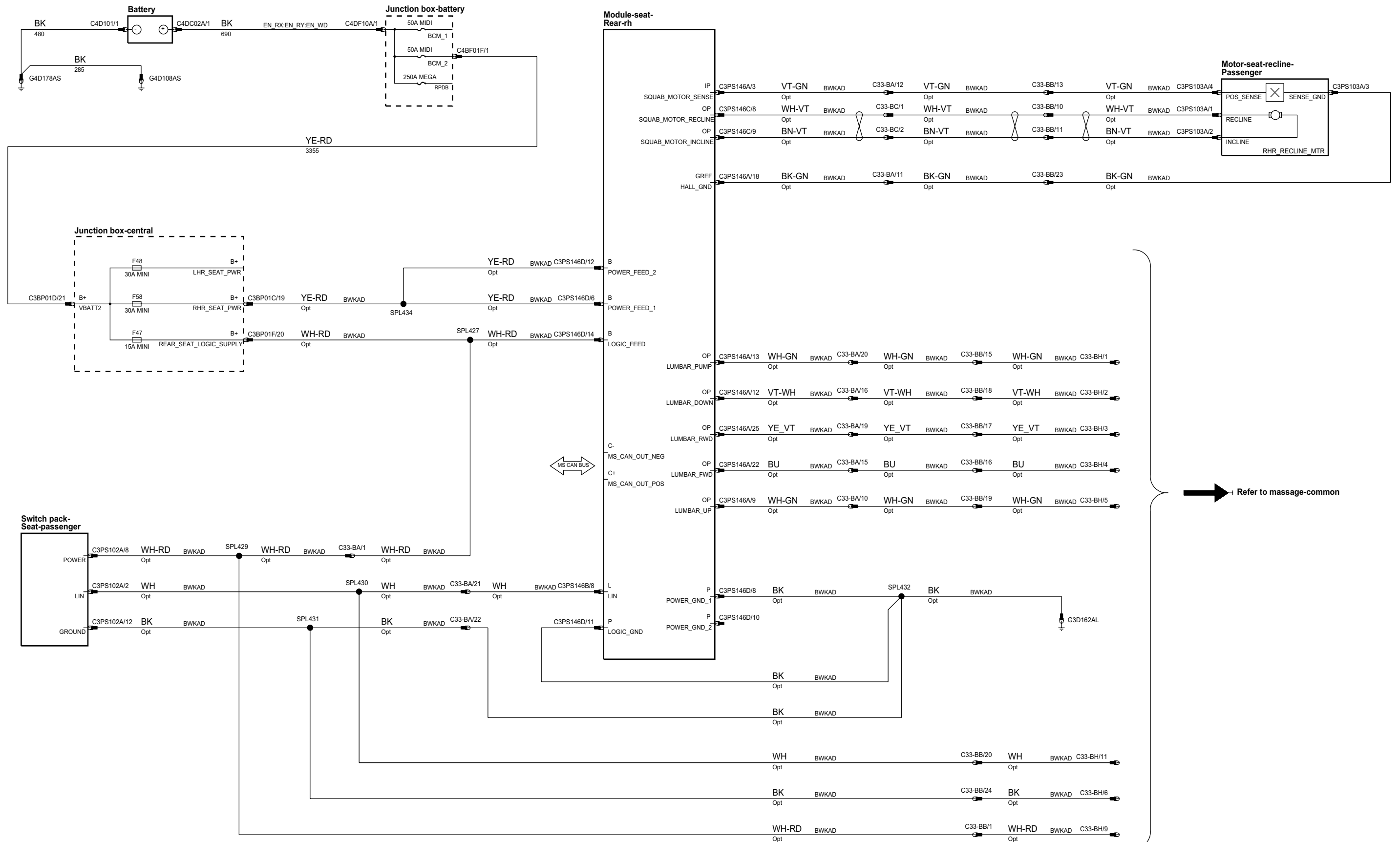
phcw93-70348-g-a3



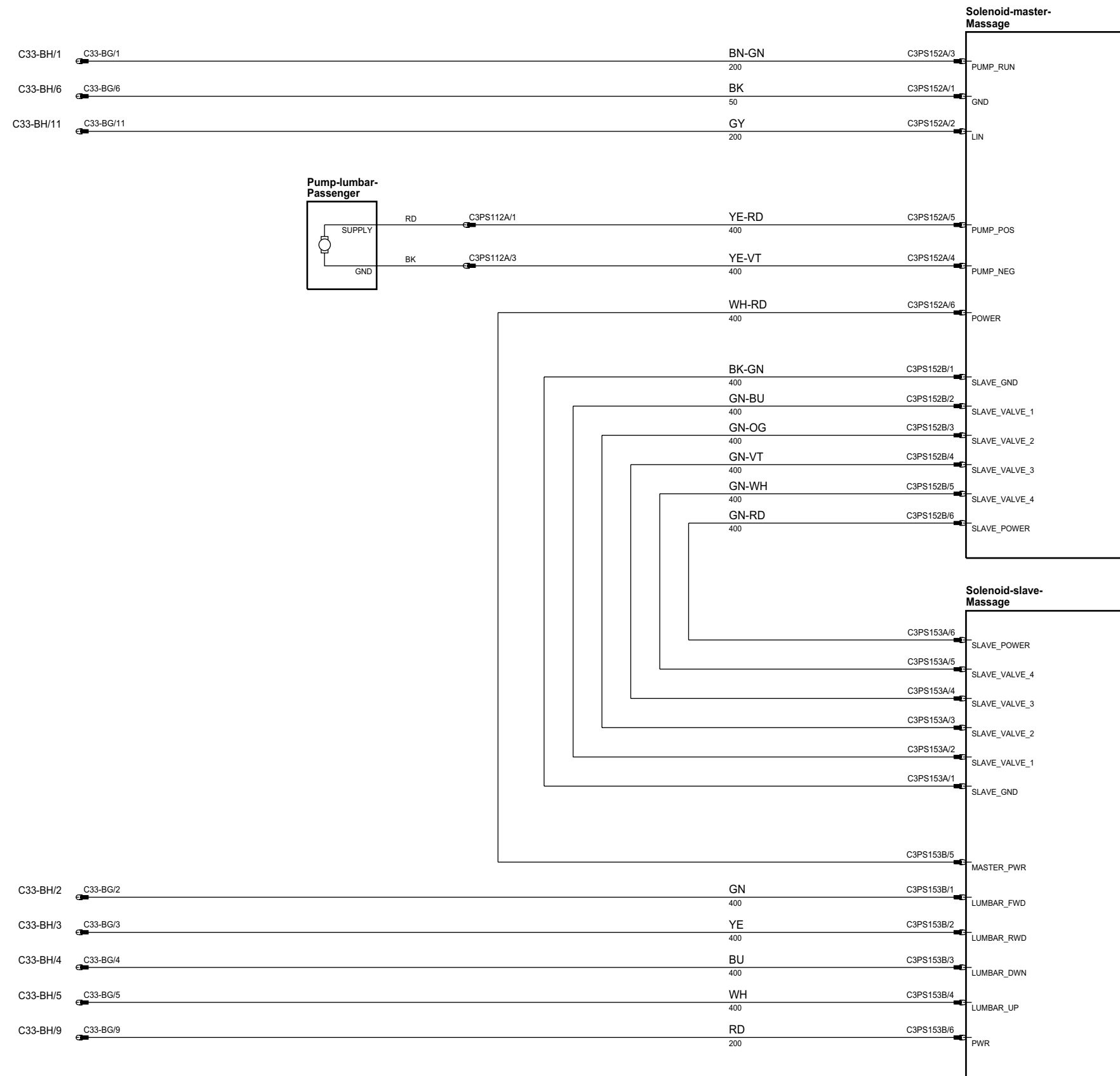
phcw93-70349-a-a3



phcw93-70349-b-a3

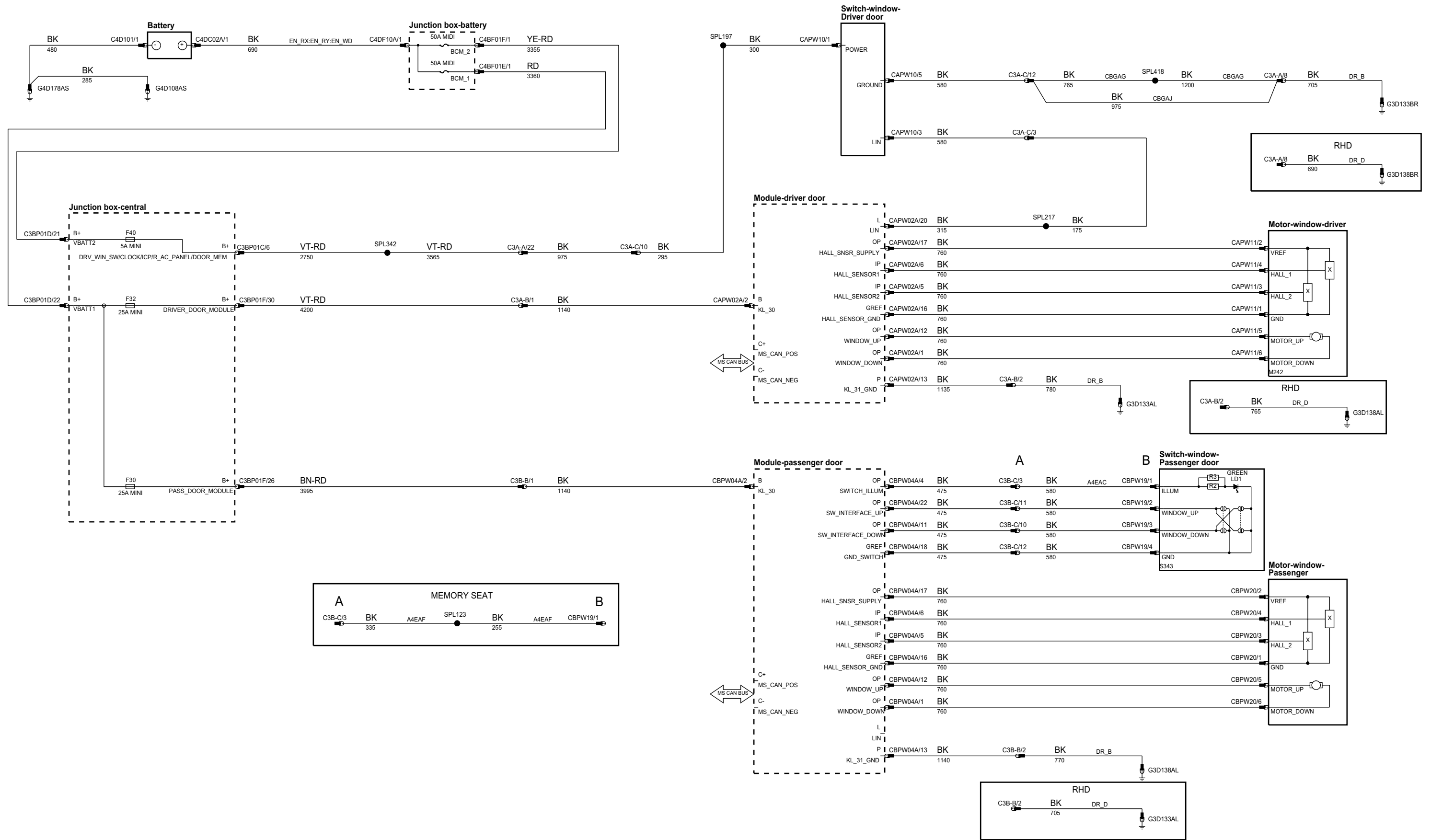


phw93-70349-c-a3

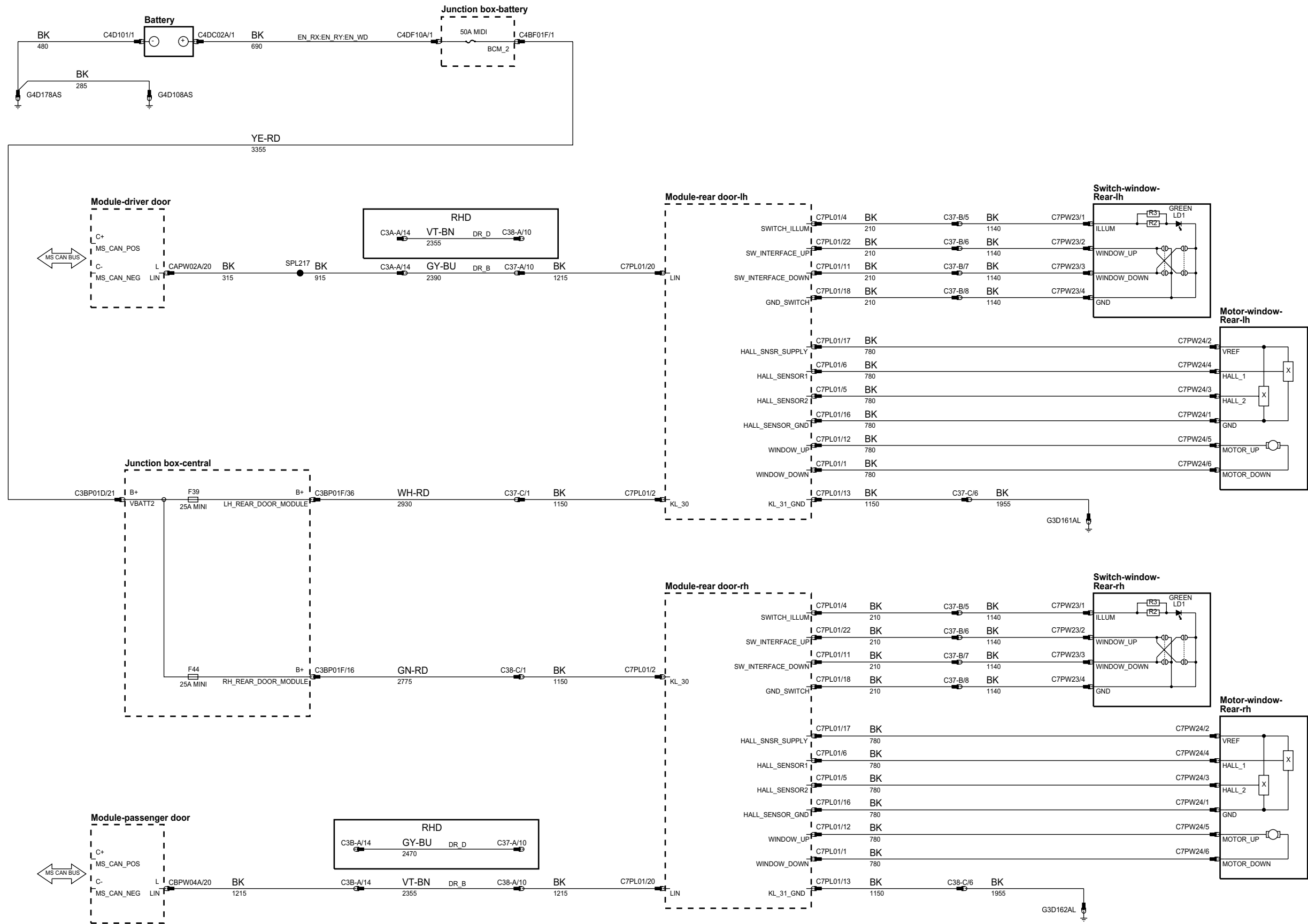


Refer to lh rear
Or rh rear massage

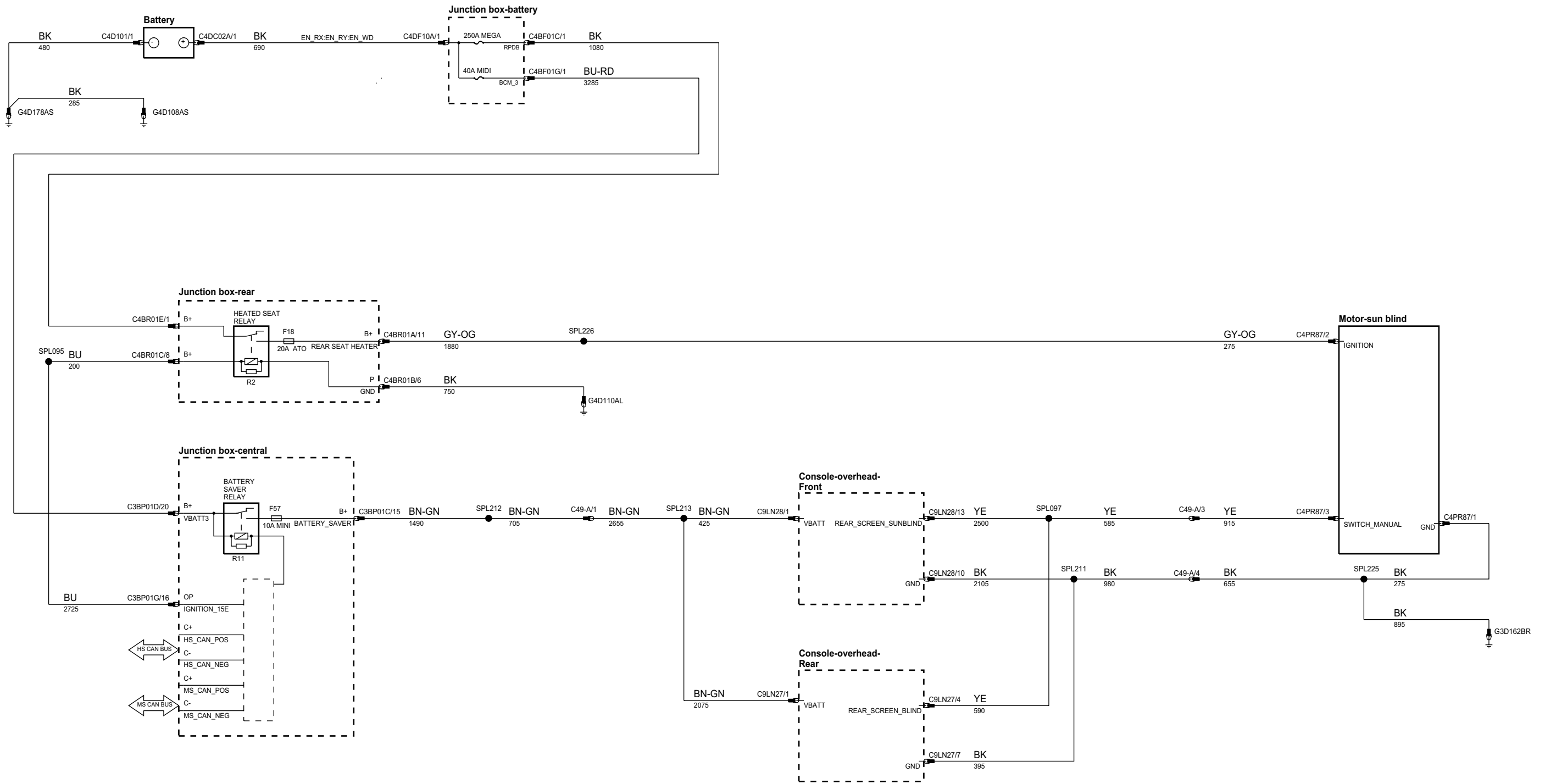
phcw93-70316-a-a3



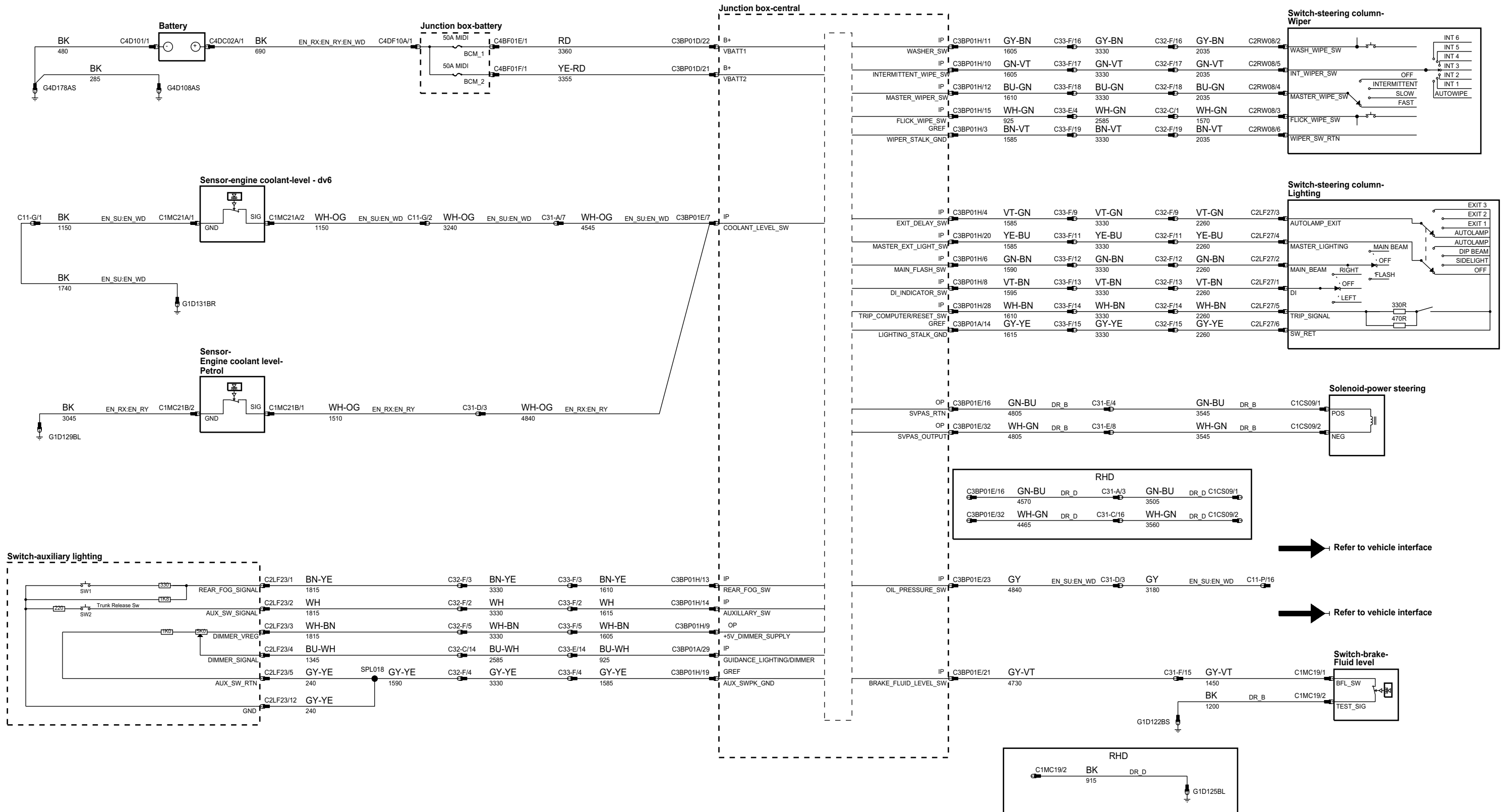
phcw93-70316-b-a3



phcw93-70317-b-a3



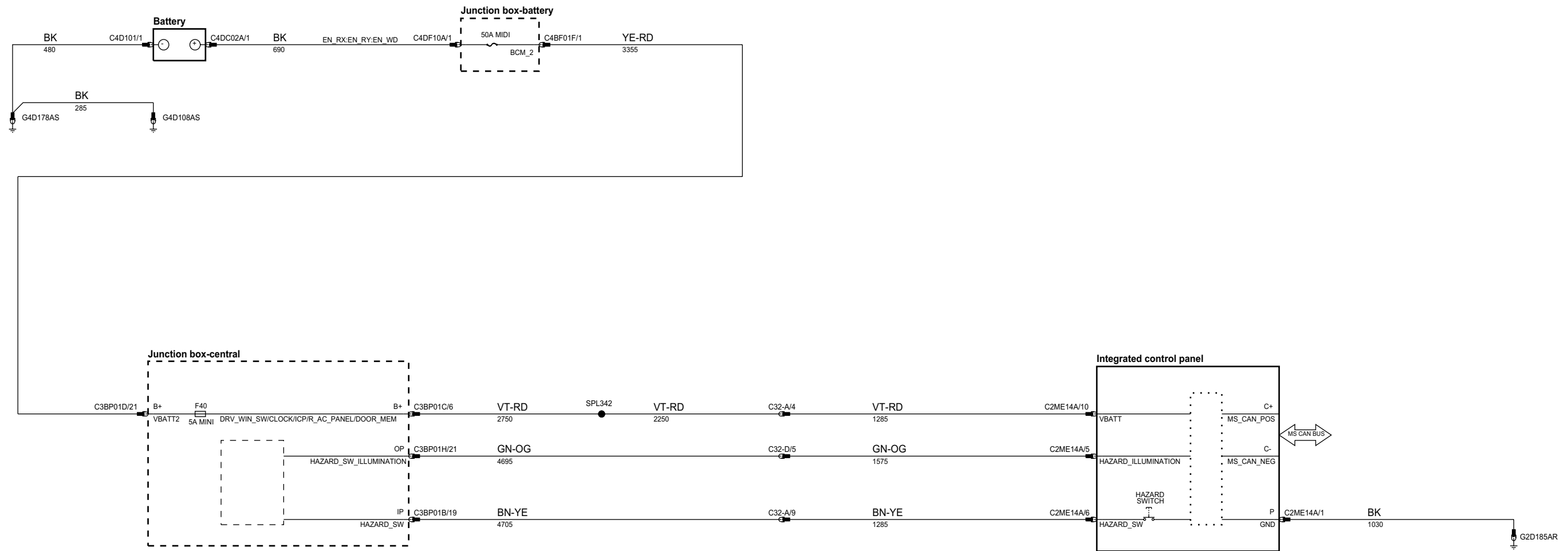
phcw93-70210-a-a3



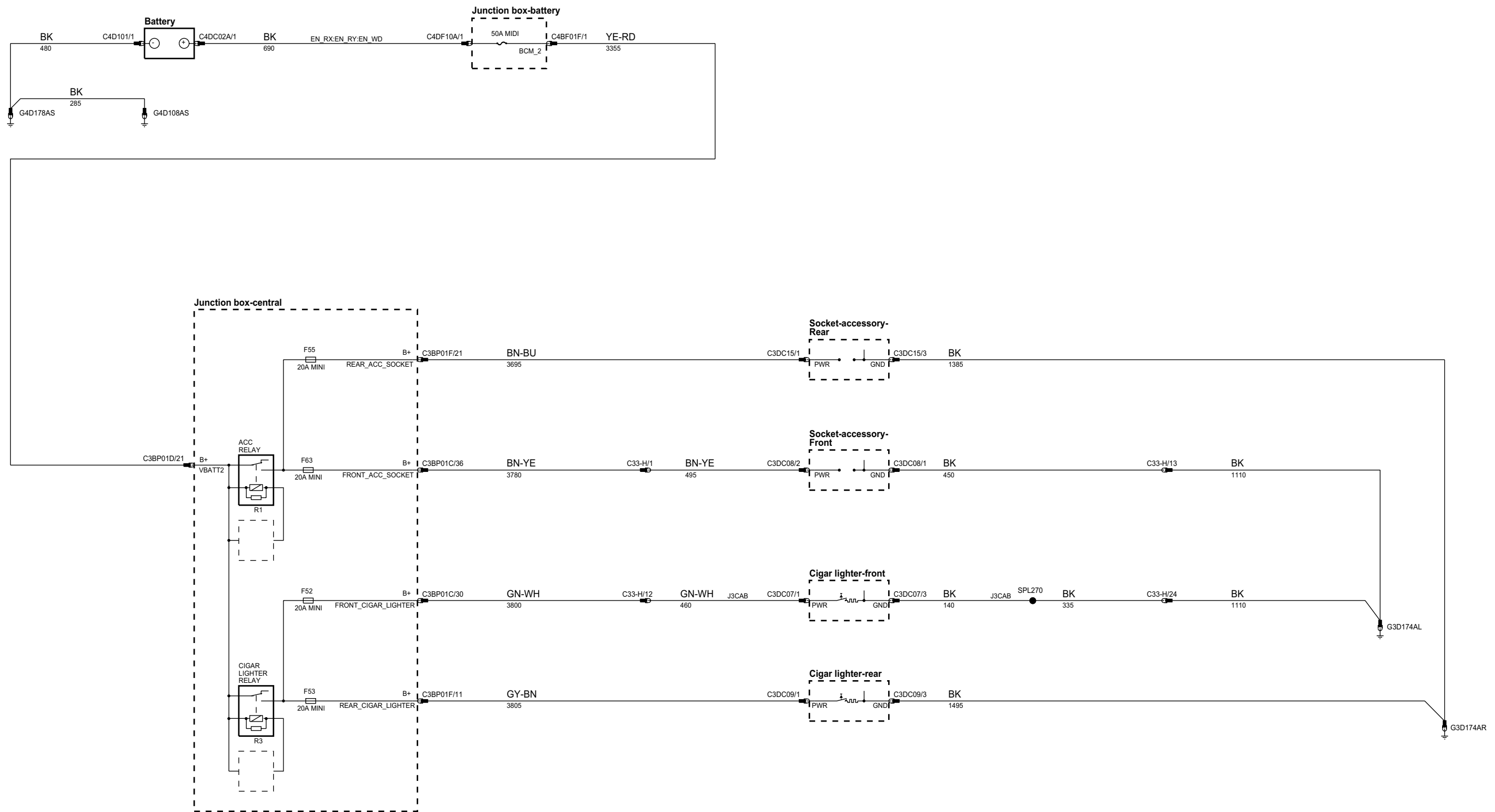
➔ Refer to vehicle interface

➔ Refer to vehicle interface

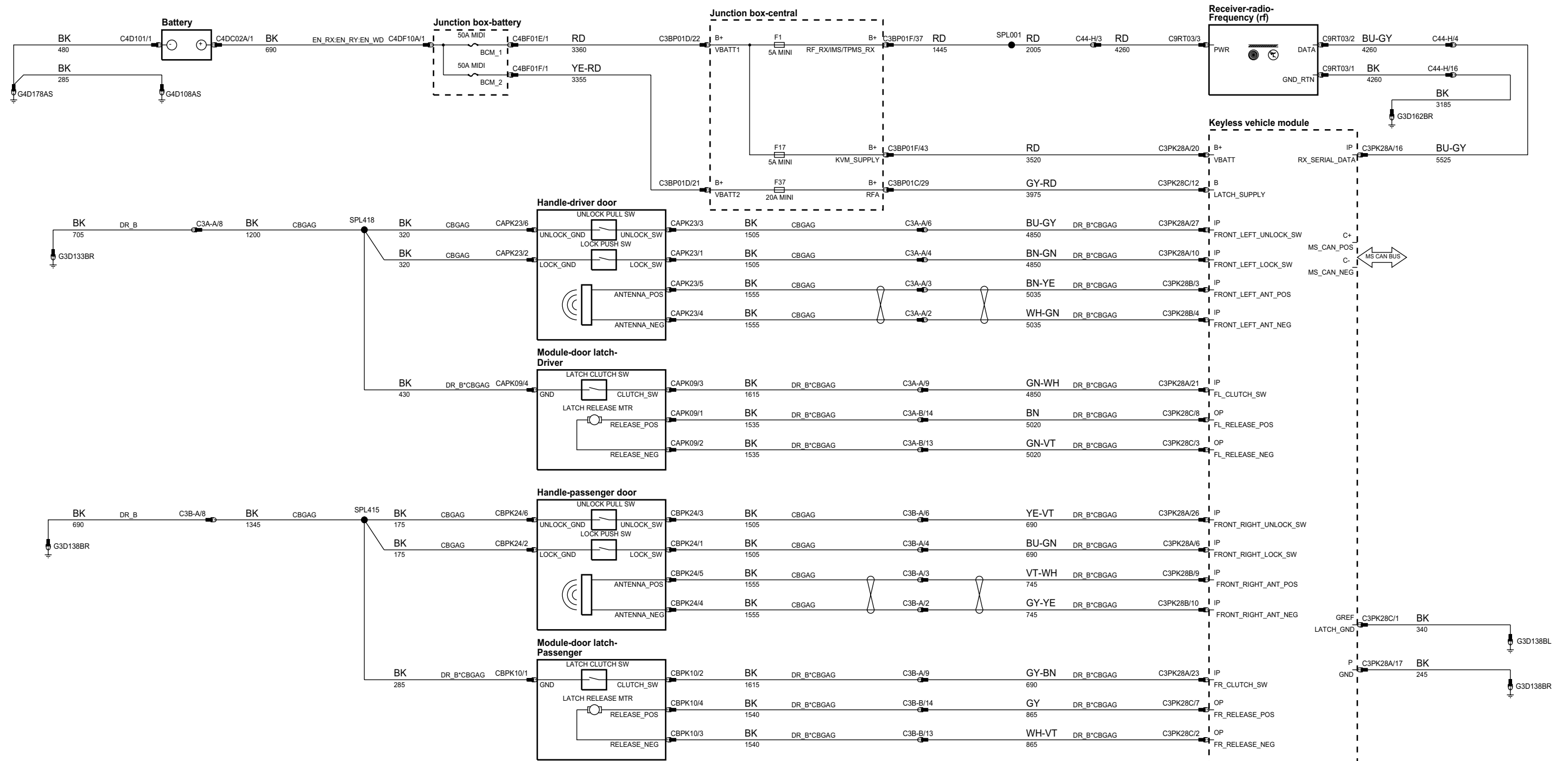
phcw93-70210-c-a3



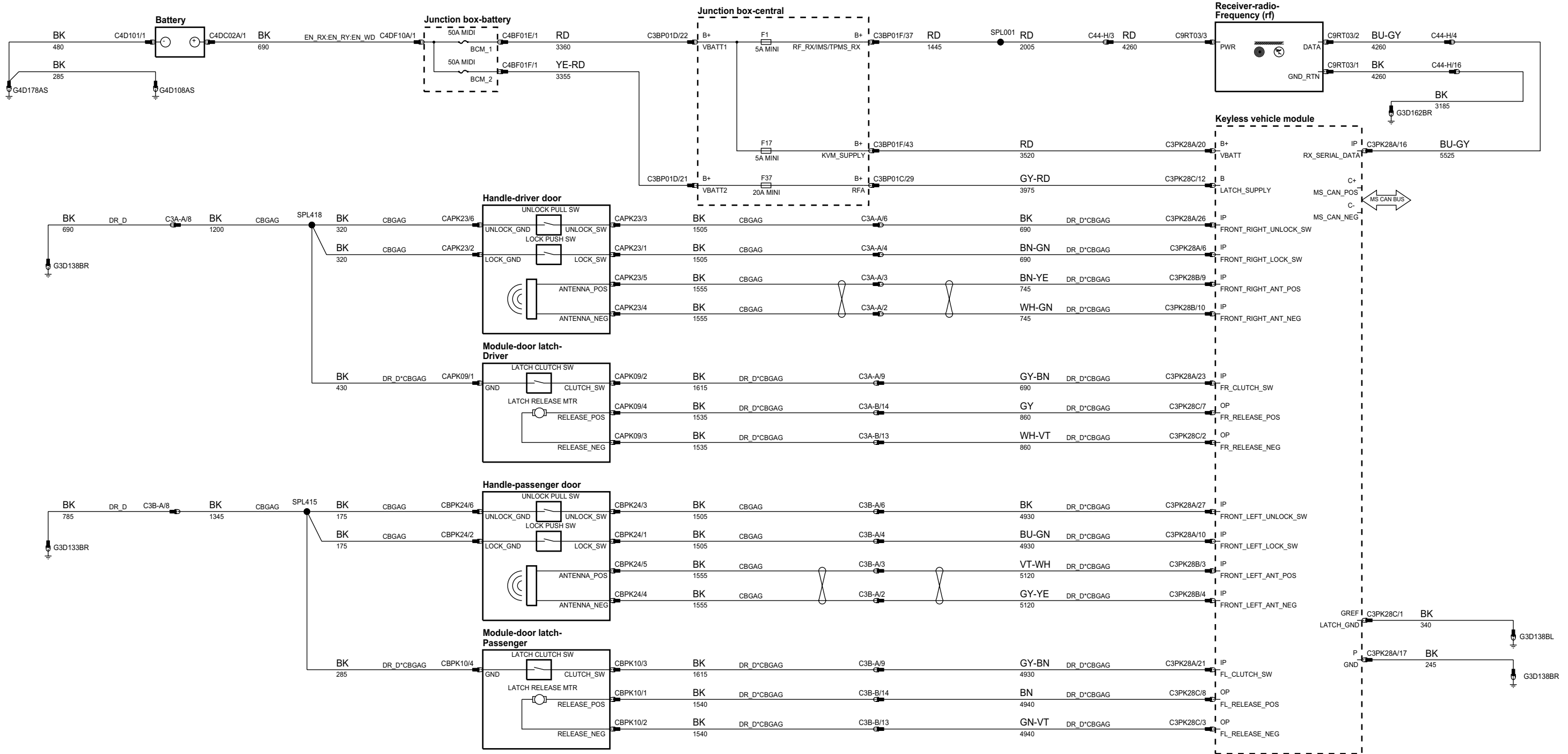
phcw93-70365-a-a3



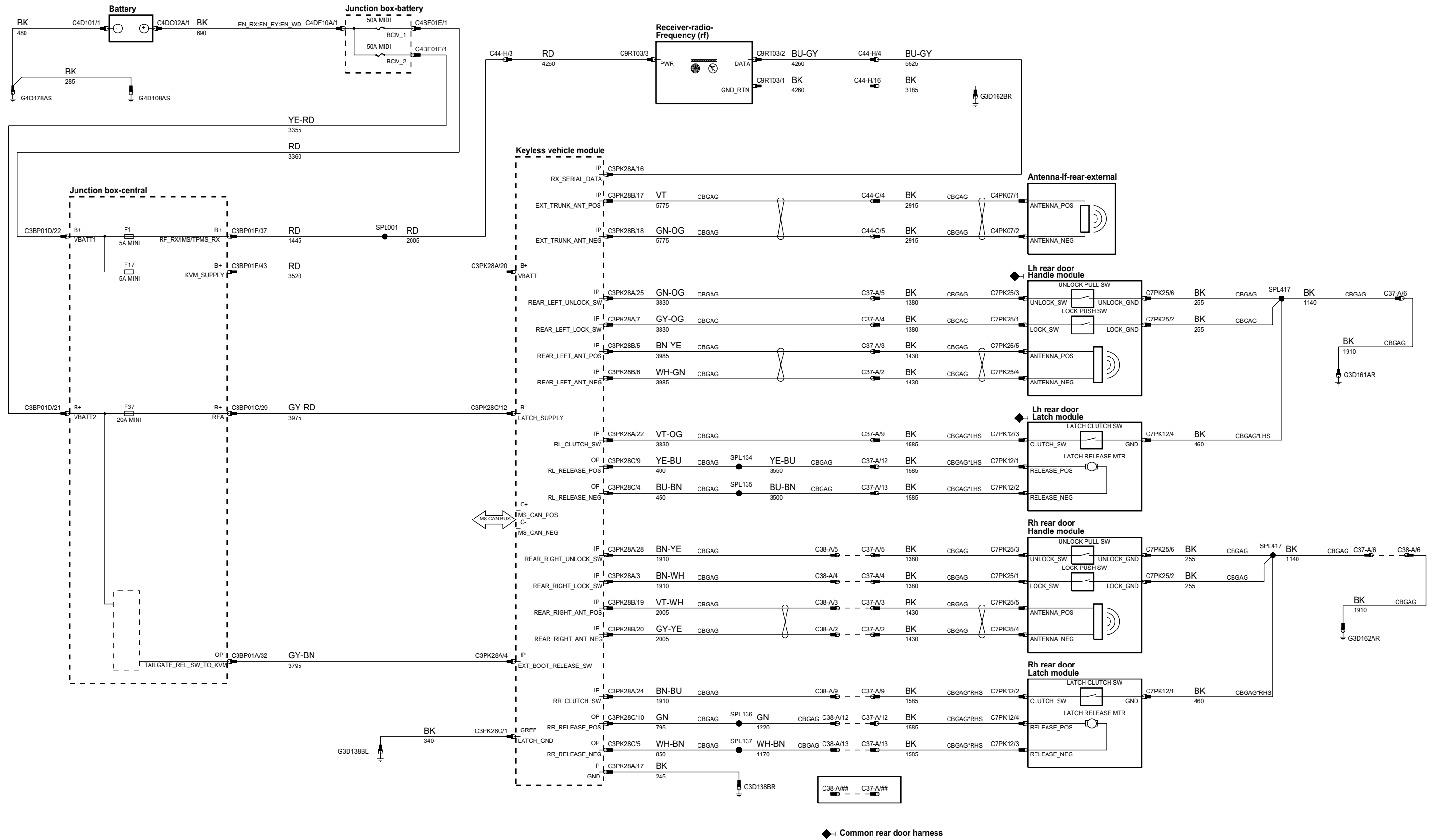
phcw93-70417-a-a3



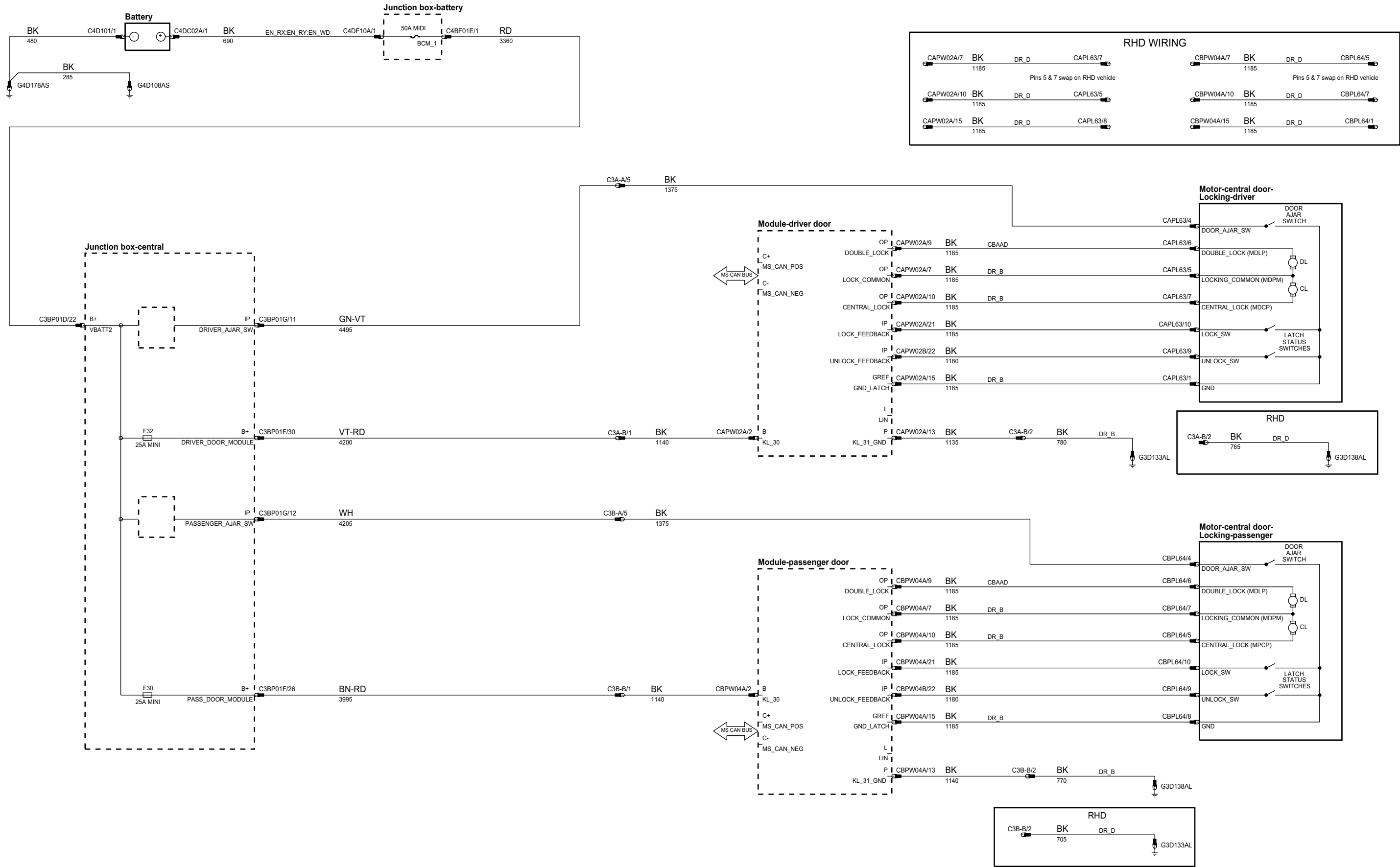
phcw93-70417-b-a3



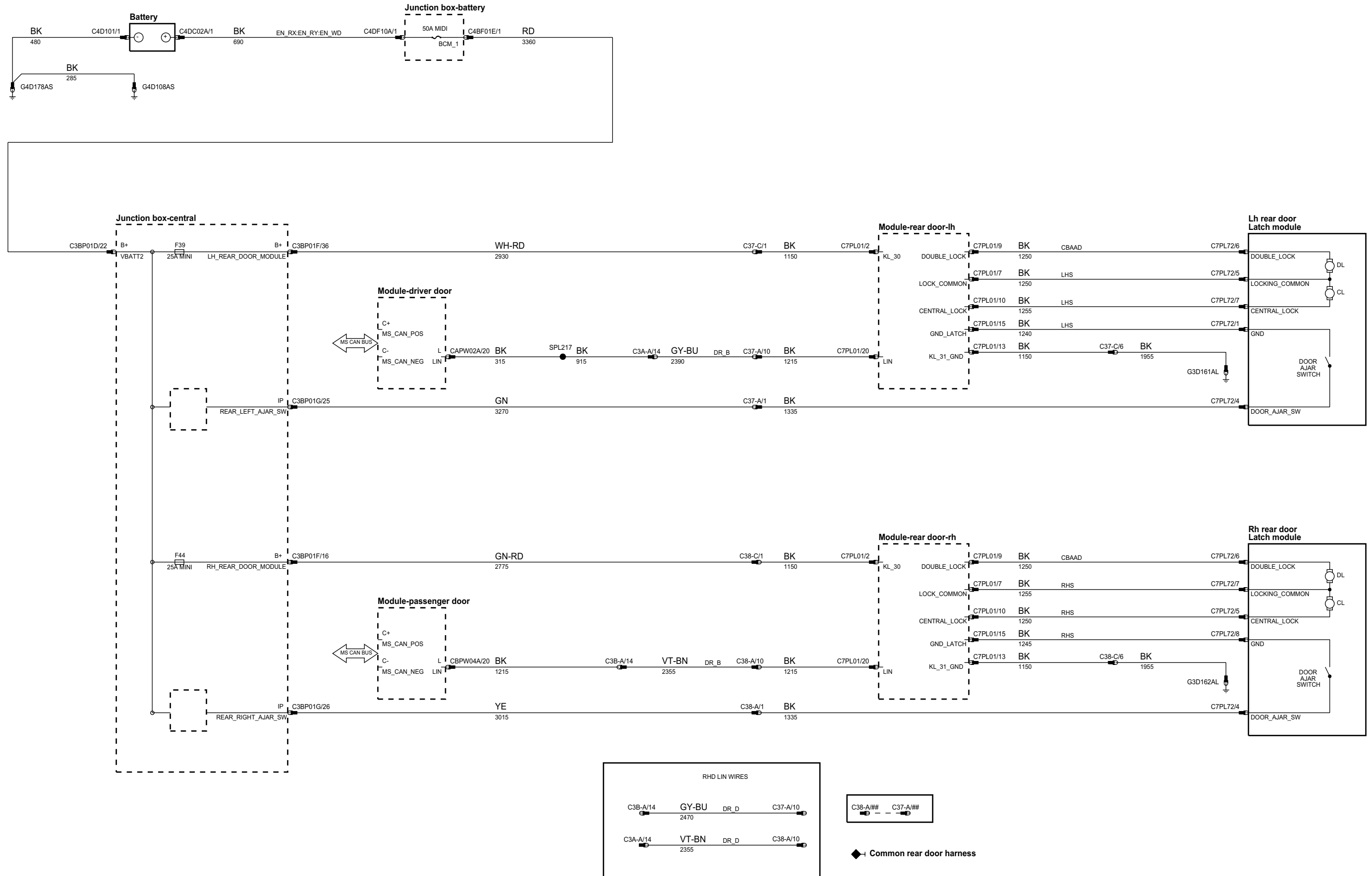
phcw93-70417-c-a3



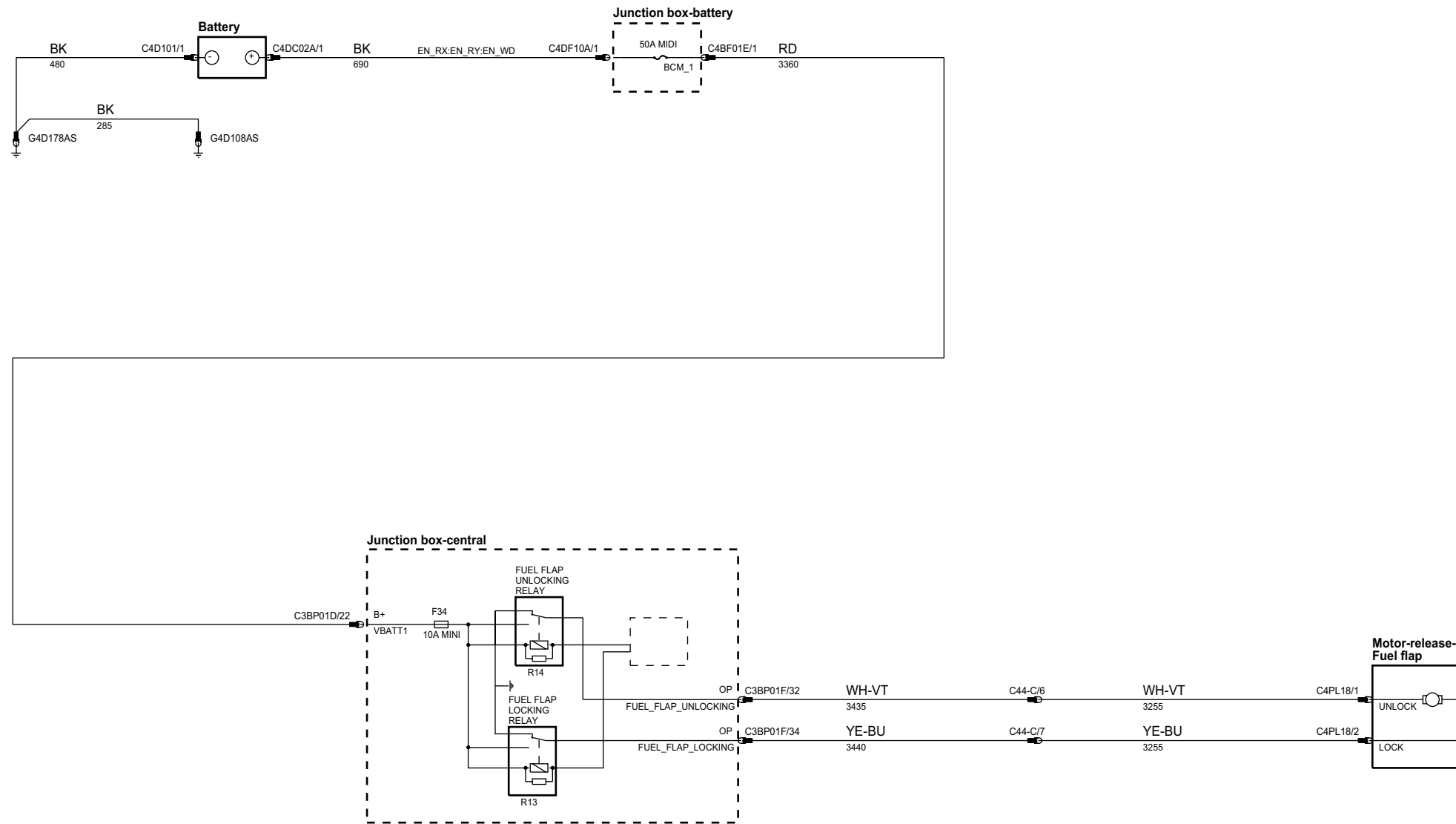
phcw93-70421-a-a3



phcw93-70421-d-a3

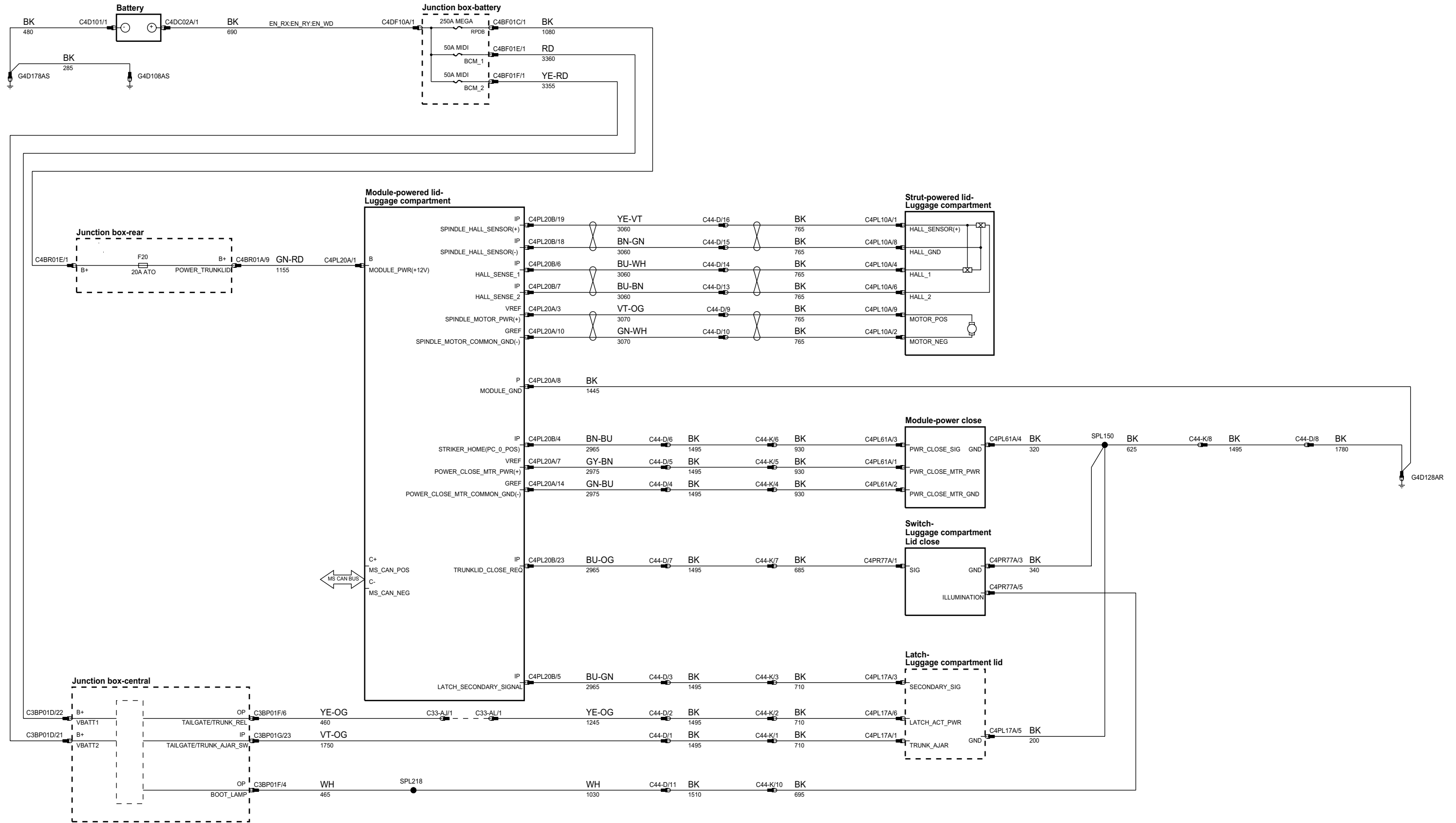


phow93-70421-b-a3

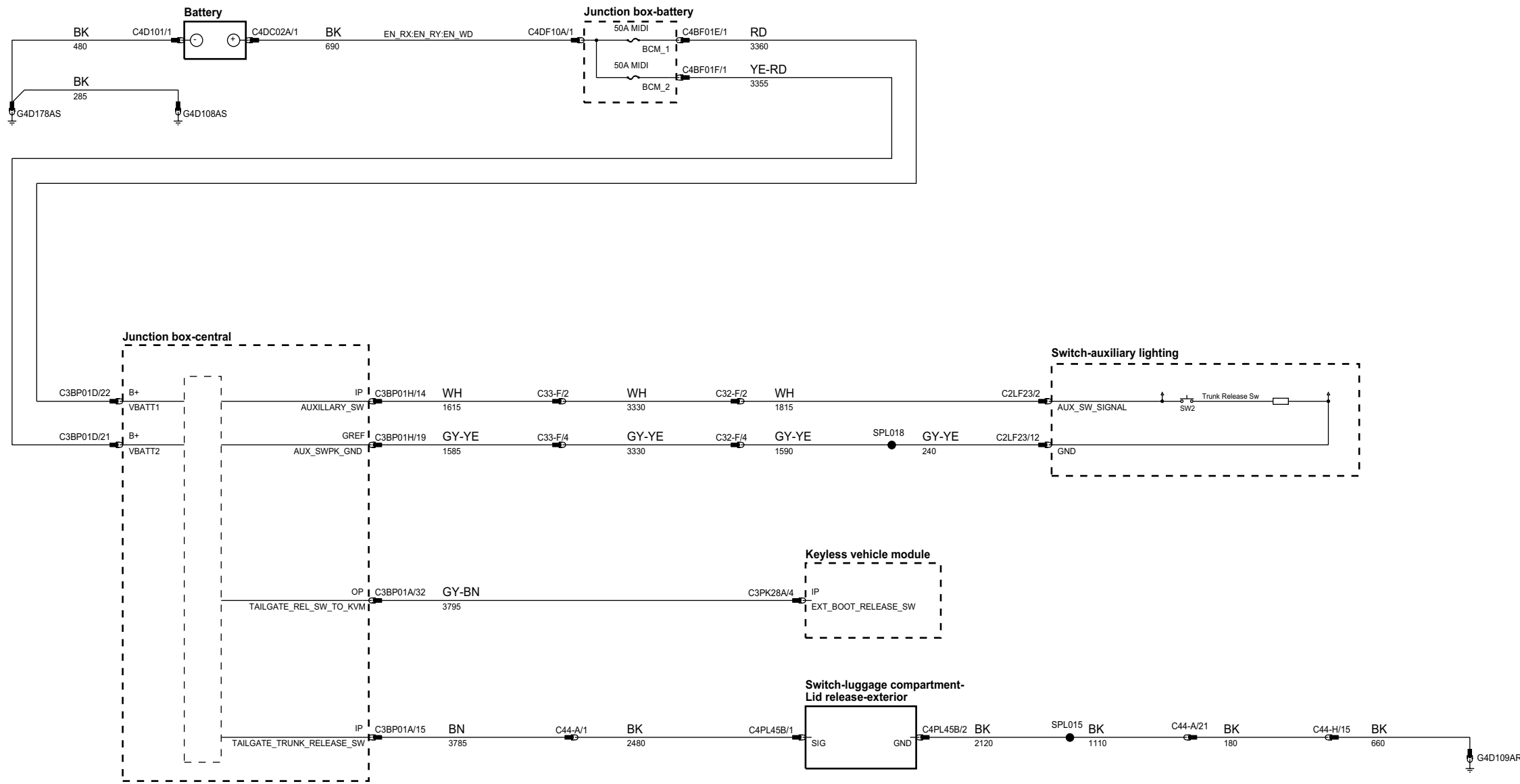


x

phcw93-70354-a-a3

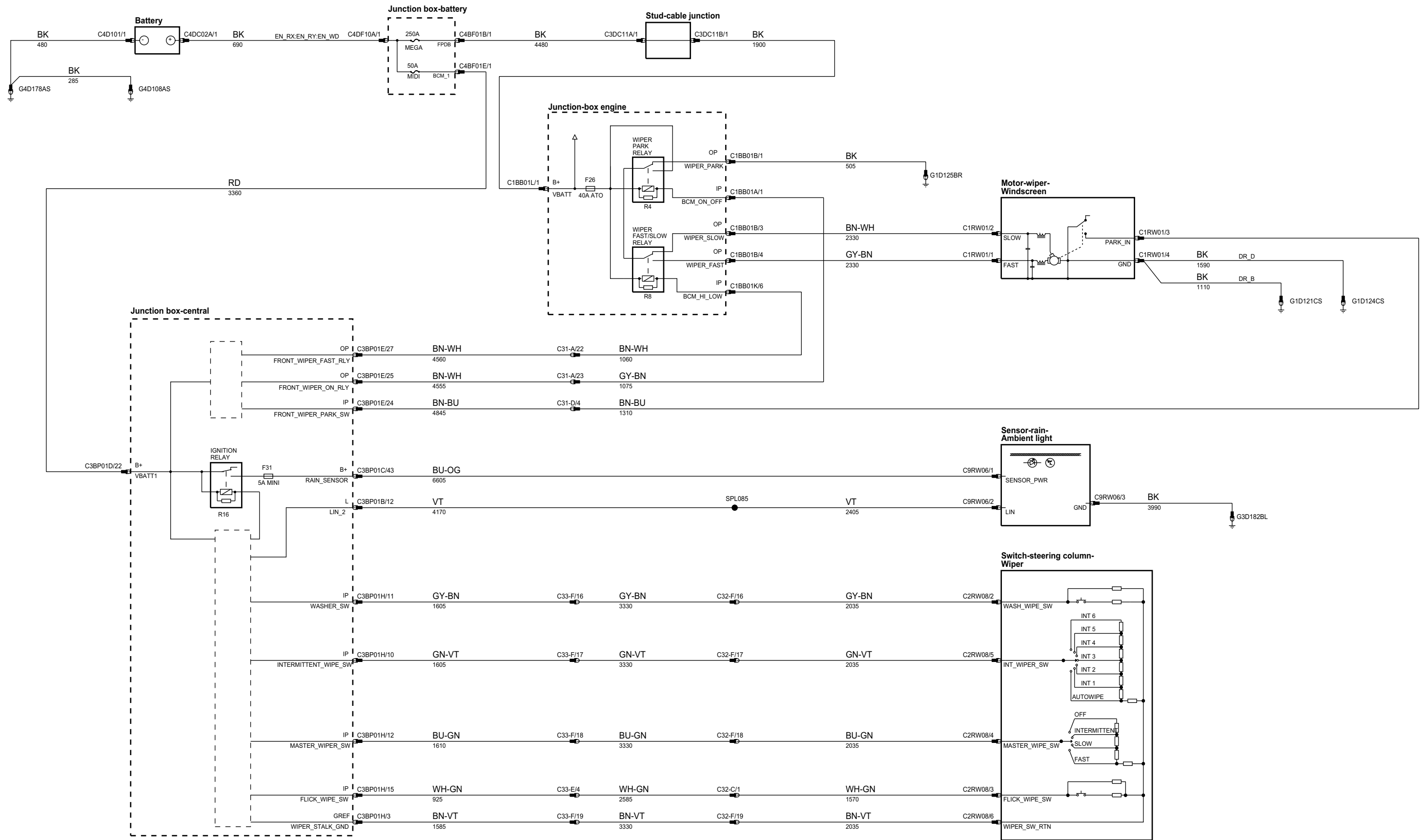


phcw93-70354-b-a3

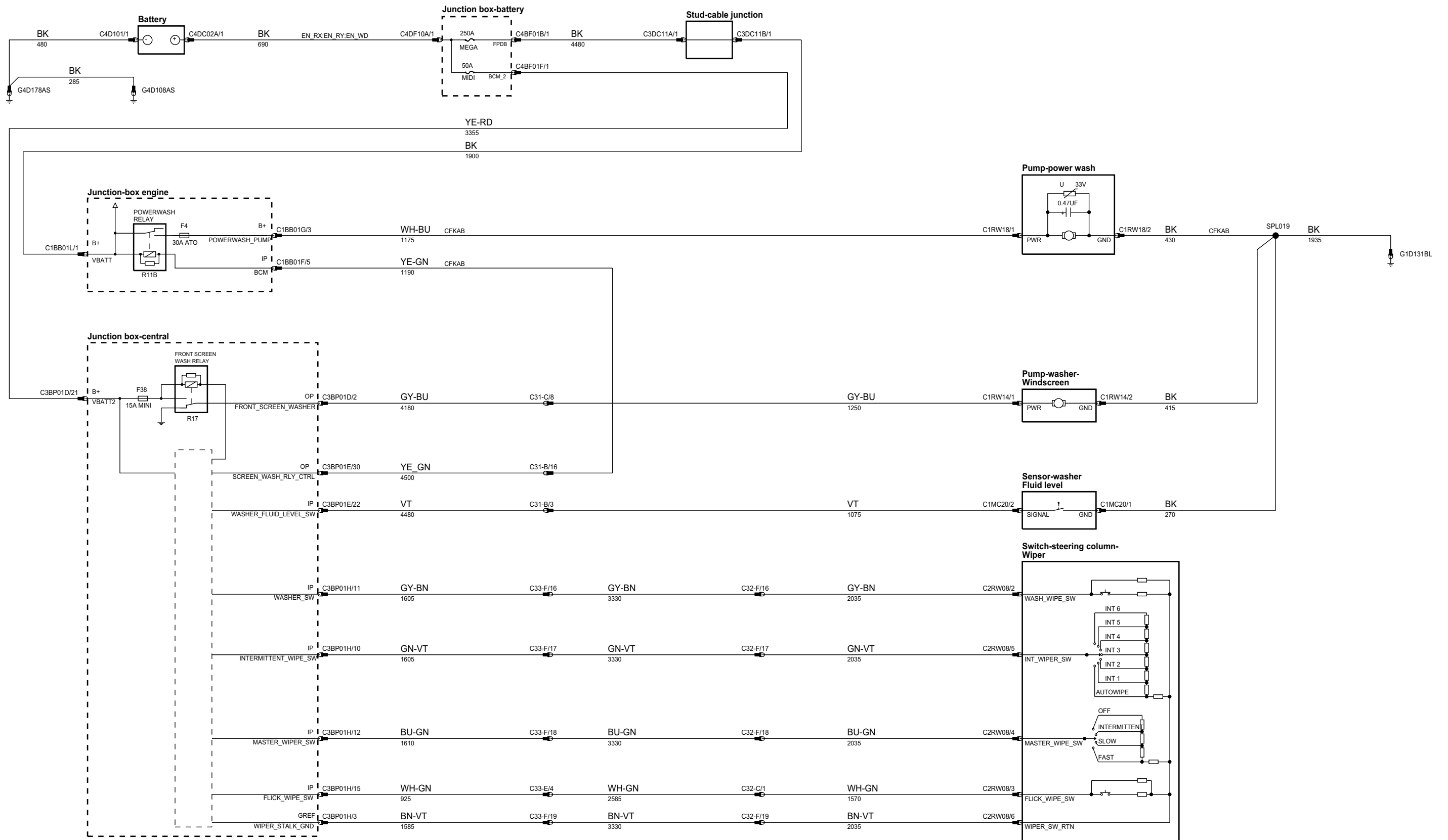


x

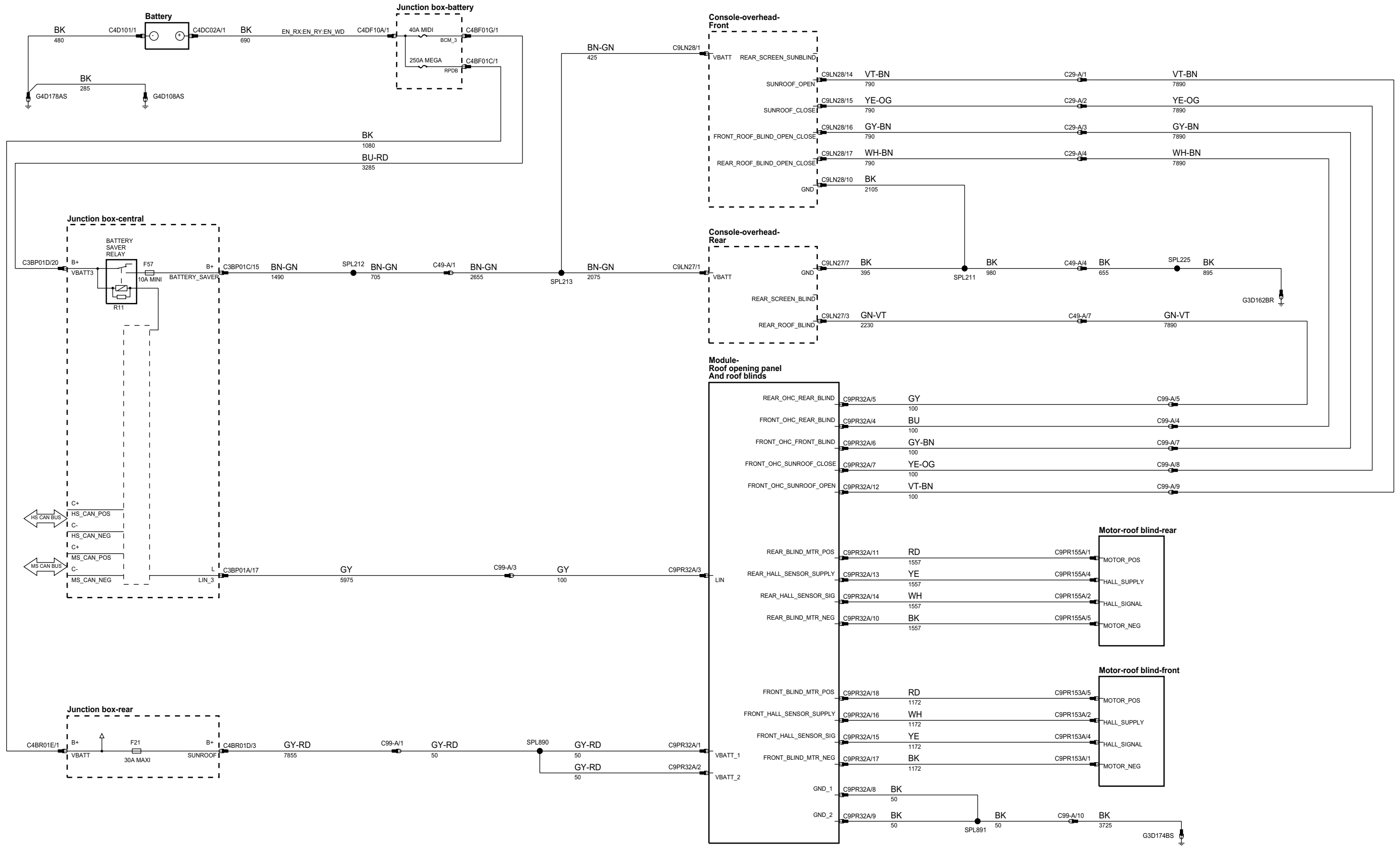
phcw93-70133-a-a3

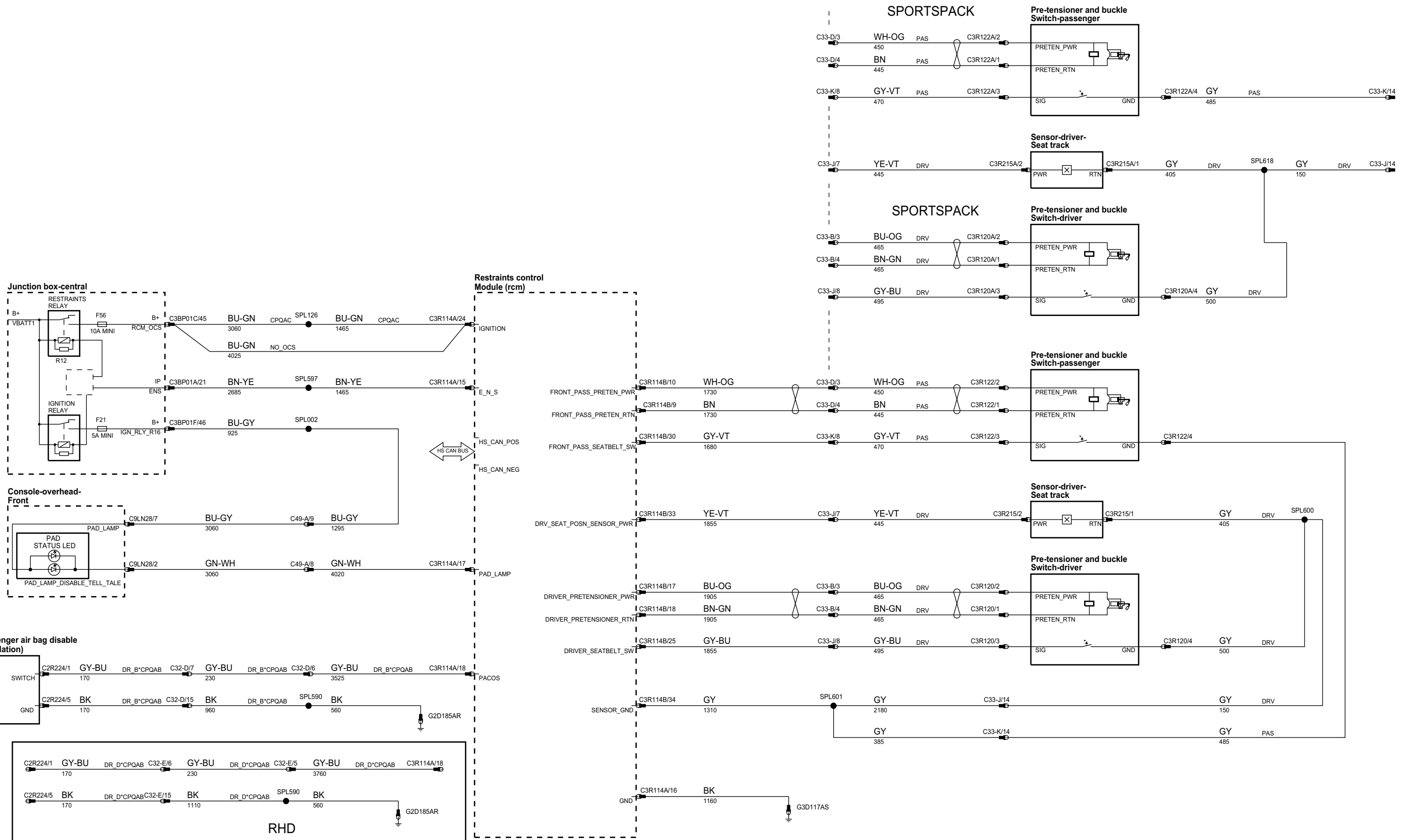


phcw93-70133-b-a3

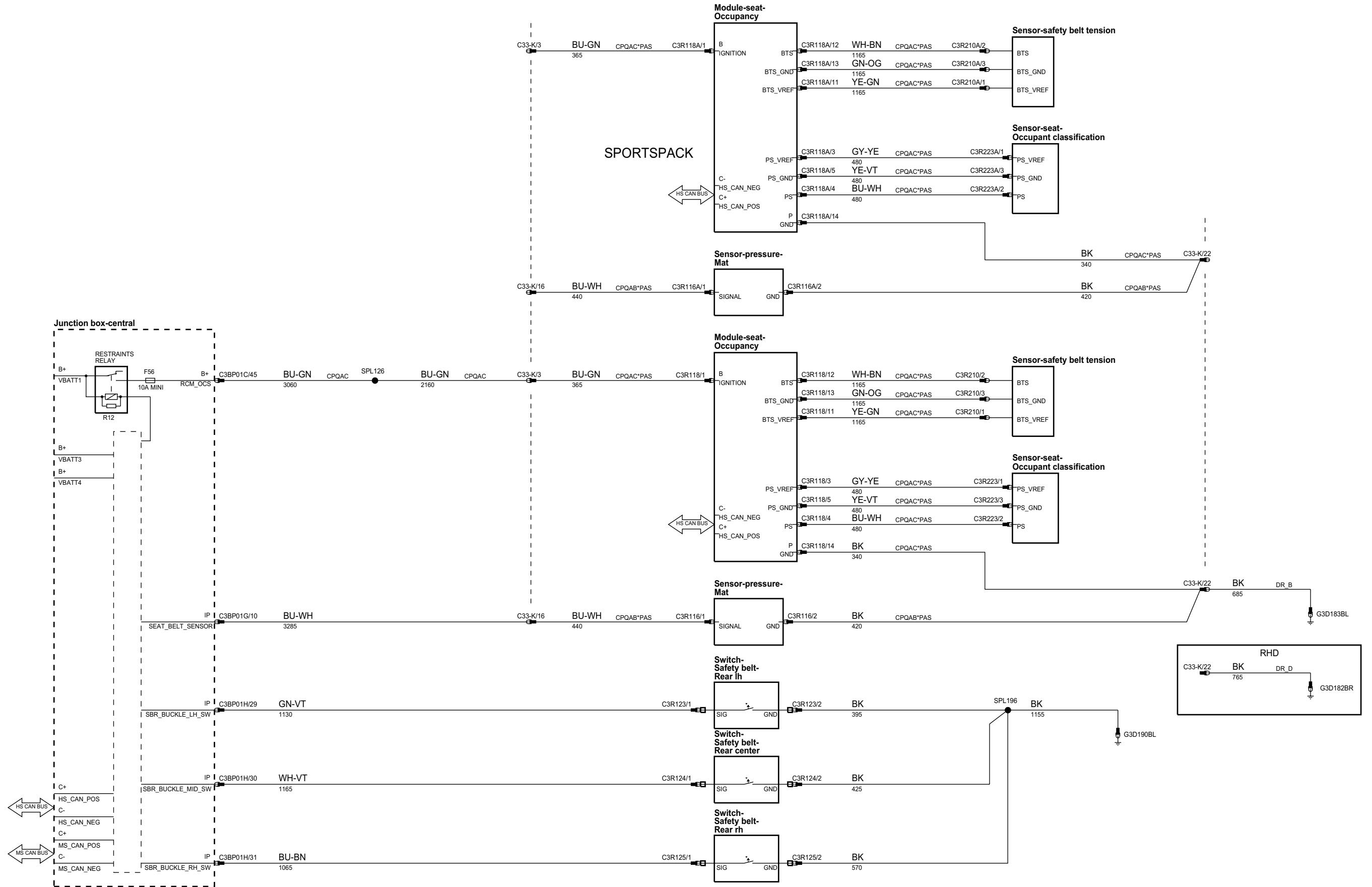


phcw93-70317-a-a3

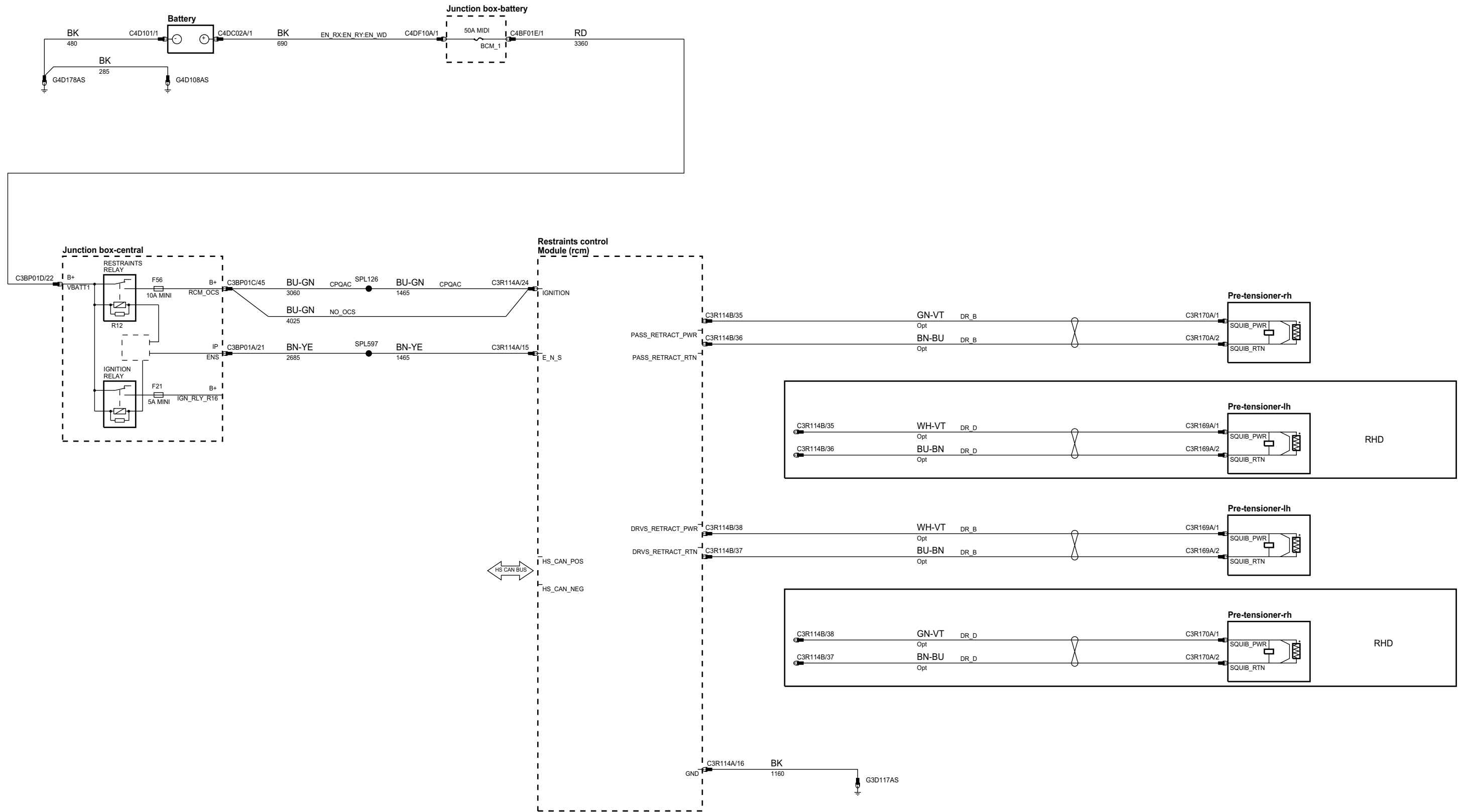




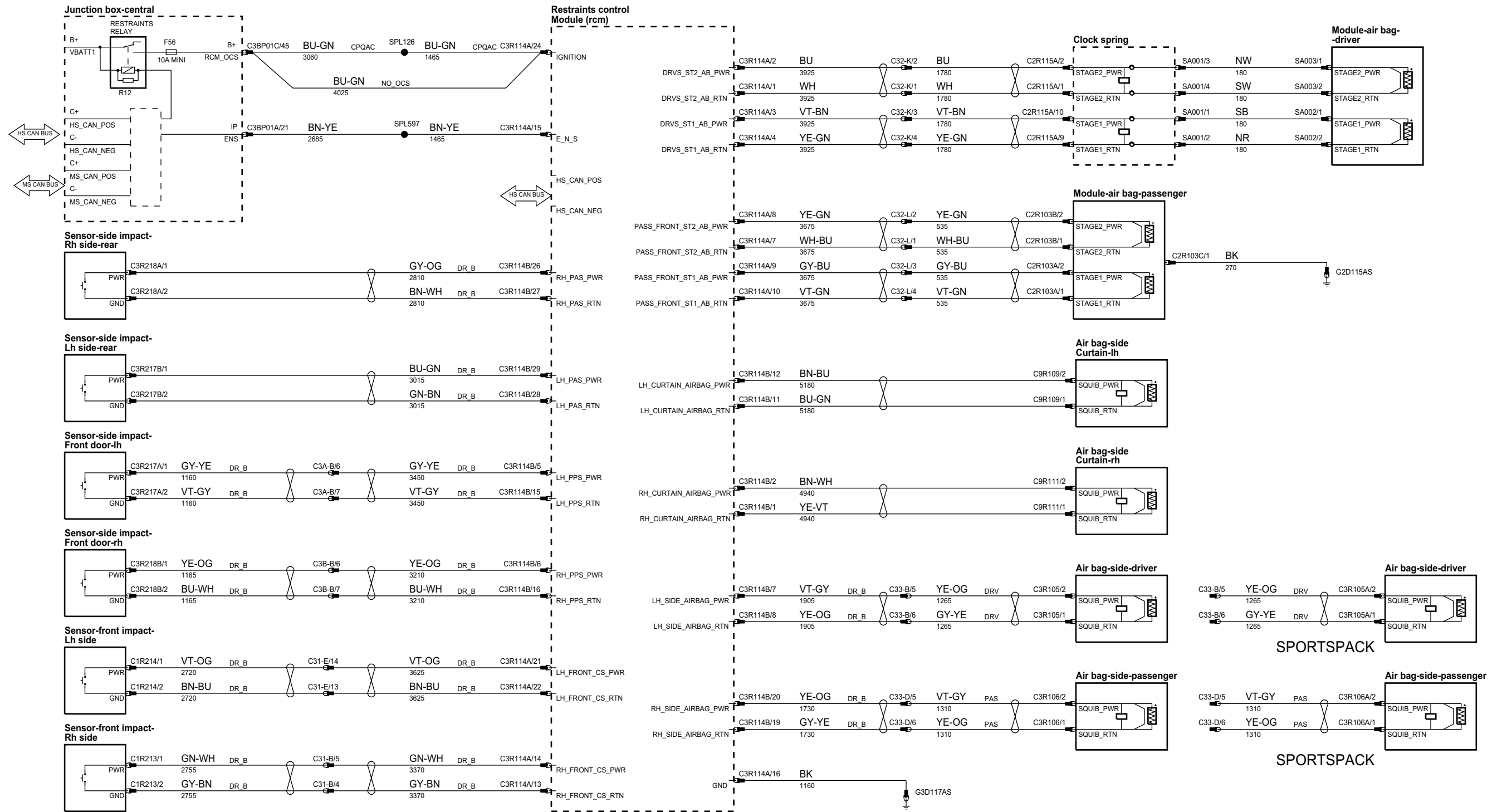
phcw93-70150-e-a3



phcw93-70150-d-a3



phcw93-70150-a-a3



phow93-70150-b-a3

