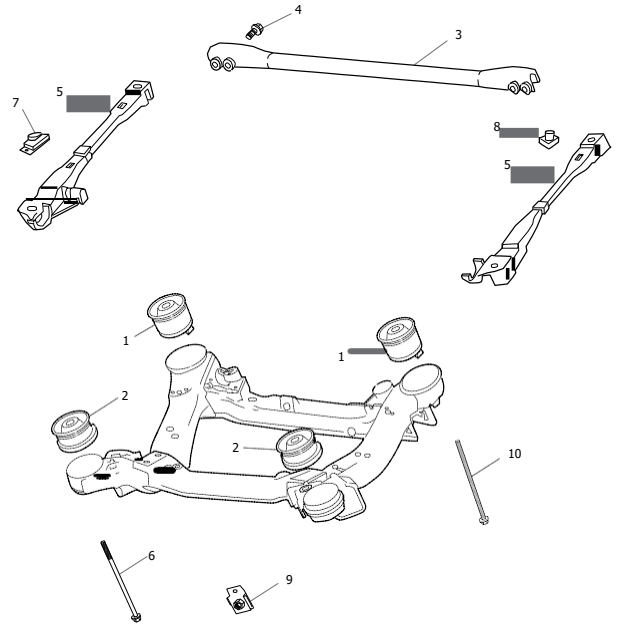


FRONT SUSPENSION

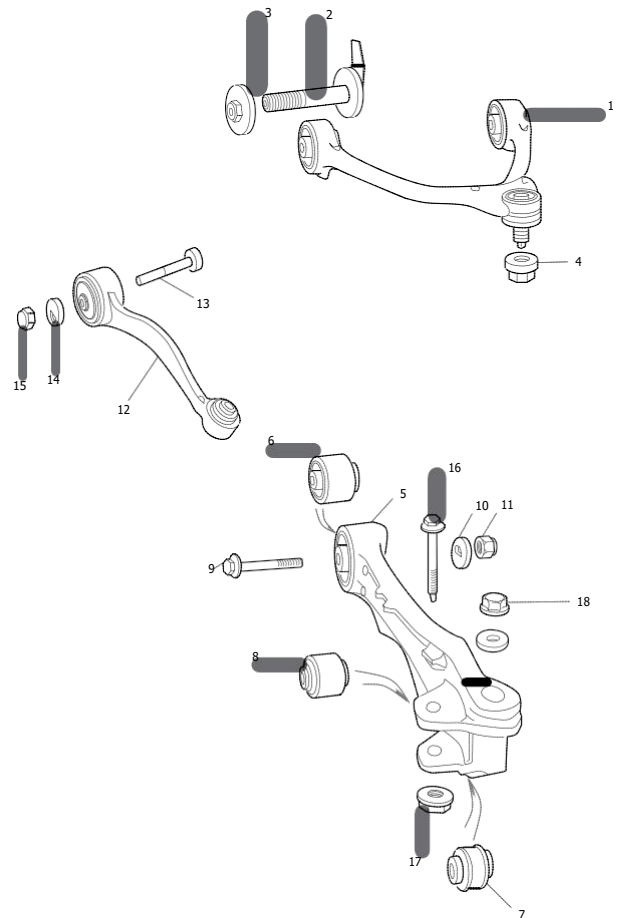
FRONT CROSSBEAM

1	Front Frame Mounting Bush	C2C2941	2
2	Rear Frame Mounting Bush	C2C2942	2
3	Brace	C2C36771	1
4	Bolt	C2P7626	4
5	Spacer		
	LH		
	To VIN H00320	C2C11598	1
	From VIN H00321	C2C30947	1
	RH	C2C11599	1
6	Screw & Washer	C2C40373	2
7	Nut	C2D8478	2
8	Caged Nut	C2P8619	2
9	Caged Nut	C2D8478	2
10	Bolt and Washer	C2P7447	2



FRONT WISHBONES

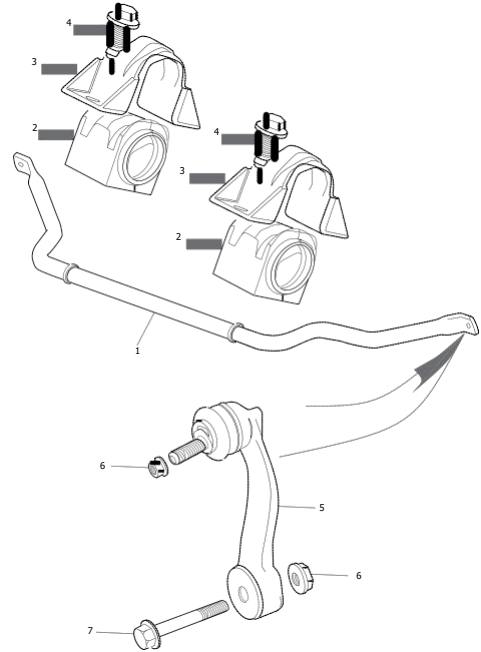
1	Wishbone Arm Upper LH	C2C38957	1
1	Wishbone Arm Upper RH	C2C38956	1
2	Bolt	C2C5694	4
3	Nut	C2P7443	4
4	Flanged Nut	C2S42348	2
5	Wishbone Arm Lower Lateral LH	C2P24862	1
5	Wishbone Arm Lower Lateral RH	C2P24861	1
6	Wishbone Bush	C2C4437	2
7	Damper Bush	C2C36866	2
8	Wishbone Bush	C2C39683BU	2
9	Special Bolt	C2P7438	2
10	Cam	C2C23854	2
11	Nut	C2C6651	2
12	Wishbone Arm Lower	C2C39683	2
13	Special Bolt	C2P7437	2
14	Cam	C2C23854	2
15	Nut	C2P7440	2
16	Bolt	C2D23103	2
17	Flanged Nut	C2S42348	2
18	Nut and Washer	C2P7442	2



FRONT SUSPENSION

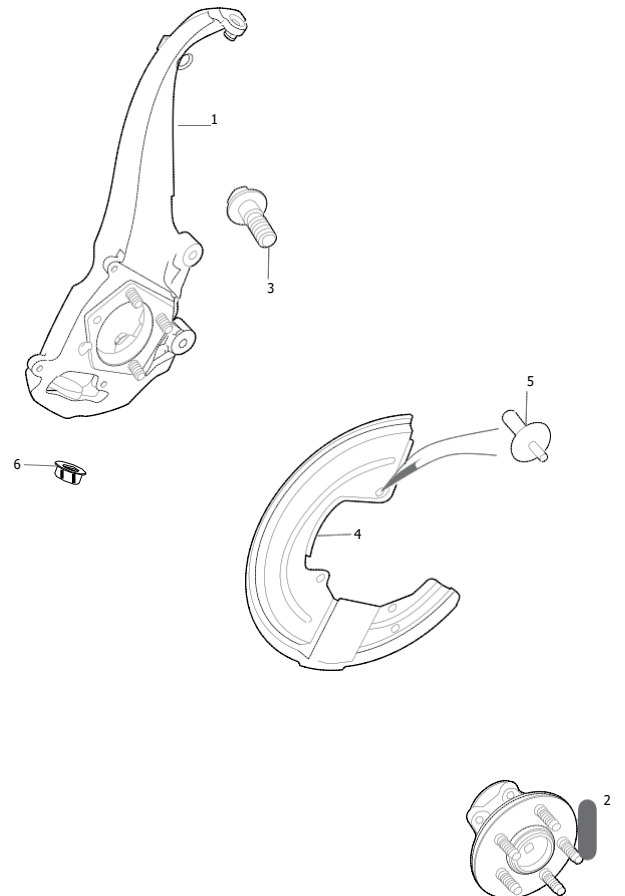
FRONT ANTI ROLL BAR

1	Anti Roll Bar		
	Petrol	C2P23535	1
	Diesel	XR837160	1
2	Anti Roll Bar Mounting Bush	XR819697	2
3	Anti Roll Bar Bracket	XR81740	2
4	Flange Headed Bolt	XR853292	2
5	Anti Roll Bar Link	C2D24220	2
6	Flanged Nut	XR848057	2
7	Bolt	C2P7190	2



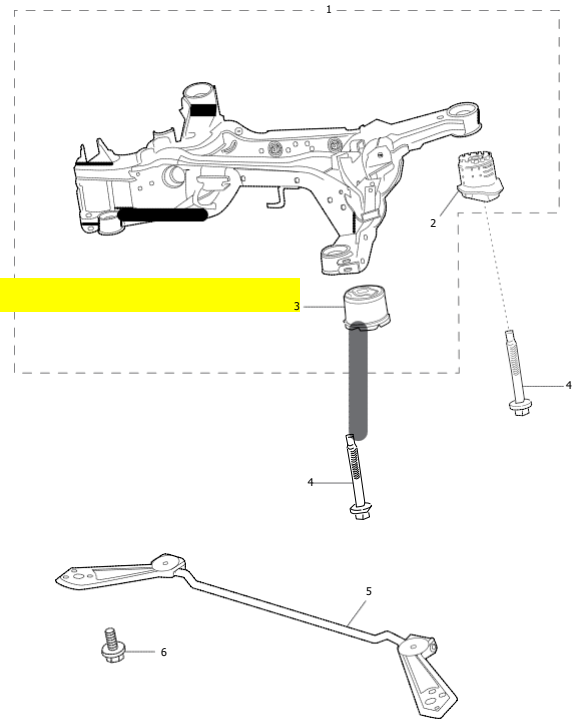
HUB & VERTICAL LINK

1	Vertical Link		
	LH all except 4.2 Supercharged		
	To VIN G49700	C2C25789	1
	From VIN G49701	C2C39509	1
	LH 4.2 Supercharged	C2C21658	1
	RH all except 4.2 Supercharged		
	To VIN G49700	C2C25788	1
	From VIN G49701	C2C39508	1
	RH 4.2 Supercharged	C2C21656	1
2	Hub and Bearing Assembly	C2C22824	2
3	Bolt Hub to Vertical Link		
	To VIN G18373	C2P7448	8
	From VIN G18374		
	Top	C2P7441	4
	Bottom	C2P7448	4
4	Disc Shield		
	LH all except 4.2 Supercharged	C2C1108	1
	LH 4.2 Supercharged	C2C36870	1
	RH all except 4.2 Supercharged	C2C1107	1
	RH 4.2 Supercharged	C2C36869	1
5	Blind Rivet	XR817594	6
6	Nut and Washer	C2P7442	2



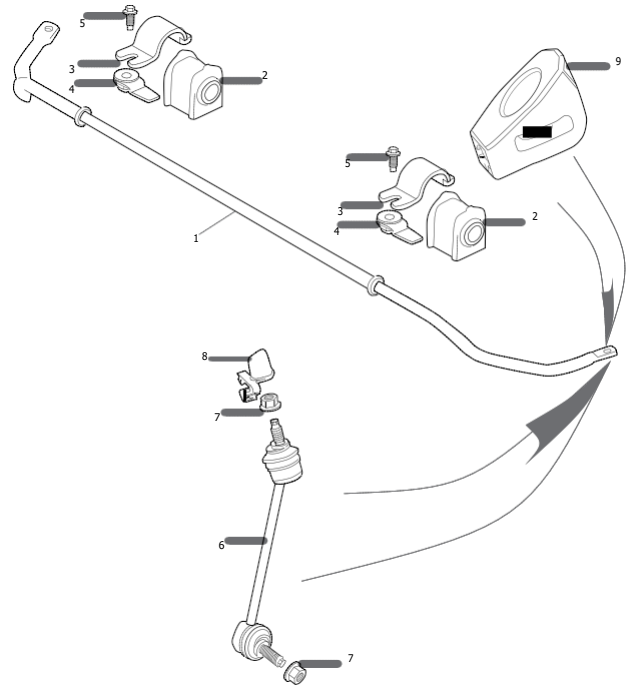
REAR FRAME CARRIER

1	Suspension Subframe		
	To VIN H01762	C2C12486	1
	From VIN H01763	C2C34129	1
2	Subframe Mounting Bush Rear	C2C31256	2
3	Subframe Mounting Bush Front		
	To VIN H01762	C2C25611	2
	From VIN H01763	C2C34189	2
4	Mounting Bolt		
	M12 x 141mm	C2P7262	2
	M12 x 165mm	C2P7261	2
5	Brace	C2C25776	1
6	Screw & Washer	C2C6173	6



REAR ANTI ROLL BAR

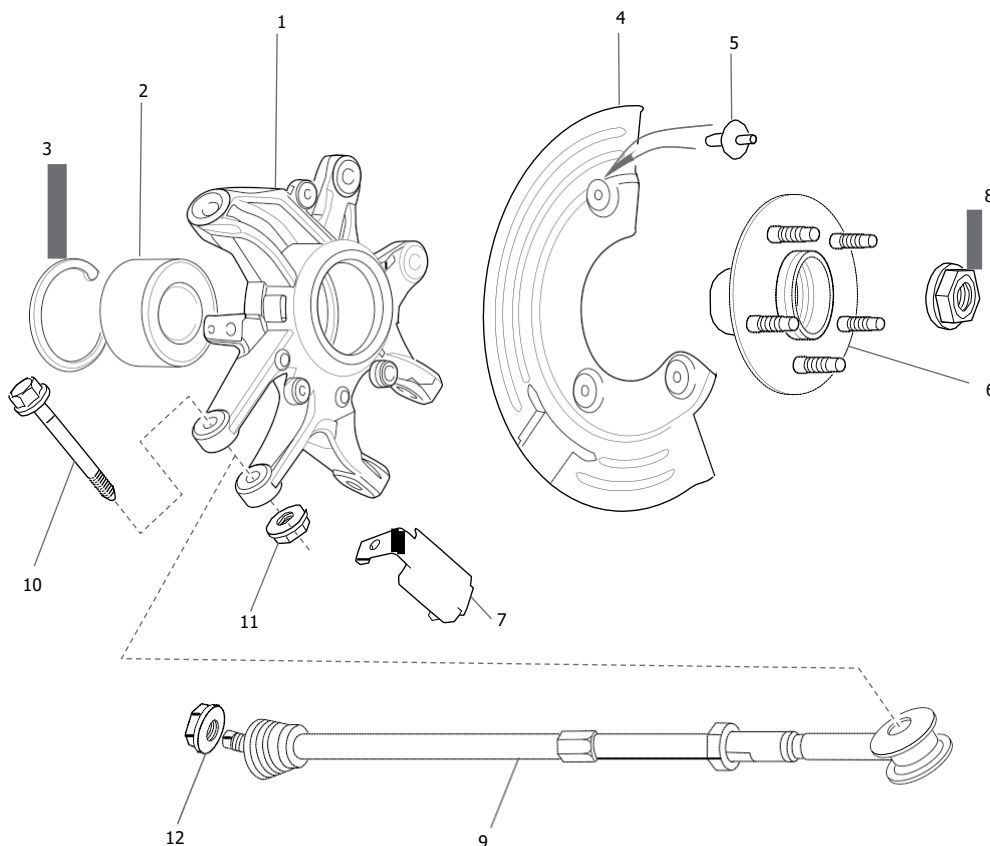
1	Anti Roll Bar		
	All except 3.0 Petrol	XR835524	1
	3.0 Petrol	C2D22337	1
2	Anti Roll Bar Mounting Bush		
	All except V8 Models	C2C20469	2
	V8 Models	C2C20470	2
3	Anti Roll Bar Bracket	XR81837	2
4	Special Nut	XR848057	2
5	Flange Head Bolt	XR853292	2
6	Anti Roll Bar Link		
	LH	C2D49529	1
	RH		
	To VIN H11536	C2C18571	1
	From VIN H11537	C2D49528	1
7	Flanged Nut	XR848057	2
8	Cable Clip	C2C12162	2
9	Deflector		
	All except 4.2 Supercarhged	C2D20594	2



REAR SUSPENSION

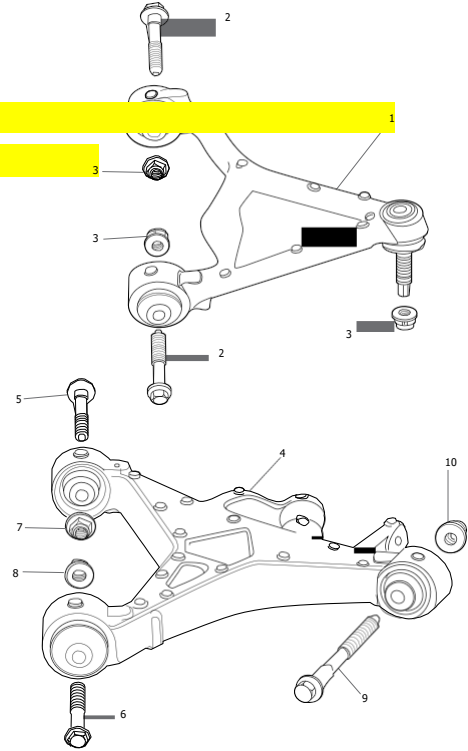
REAR HUB & CARRIER

1	Hub Carrier			2	Wheel Bearing	XR81723	2
	LH all except 4.2 Supercharged			3	Retaining Clip	C2C6632	2
	To VIN G41511	C2C1121	1	4	Disc Shield		
	From VIN G41512	C2C33604	1		LH to VIN G49700	XR82136	1
	LH 4.2 Supercharged				LH VIN G49701 to H16927	C2C26915	1
	To VIN G41511	C2C5460	1		LH from VIN H16928	C2C35785	1
	From VIN G41512 to G49700	C2C24303	1		RH to VIN G49700	XR82135	1
	From VIN G49701	C2C33604	1		From VIN G49701	C2C35784	1
	RH all except 4.2 Supercharged			5	Blind Rivet	XR817594	A/R
	To VIN G41511	C2C1120	1	6	Wheel Hub	C2C28417	2
	From VIN G41512	C2C33603	1	7	Hub Carrier Shield	C2C10113	2
	RH 4.2 Supercharged			8	Hub Nut	C2P12731	2
	To VIN G41511	C2C5459	1	9	Stabilising Link	C2D51044	2
	From VIN G41512 to G49700	C2C24301	1	10	Flange Head Bolt	XR853290	2
	From VIN G49701	C2C33603	1	11	Flanged Nut	XR848057	2
				12	Flanged Nut	C2P7444	2



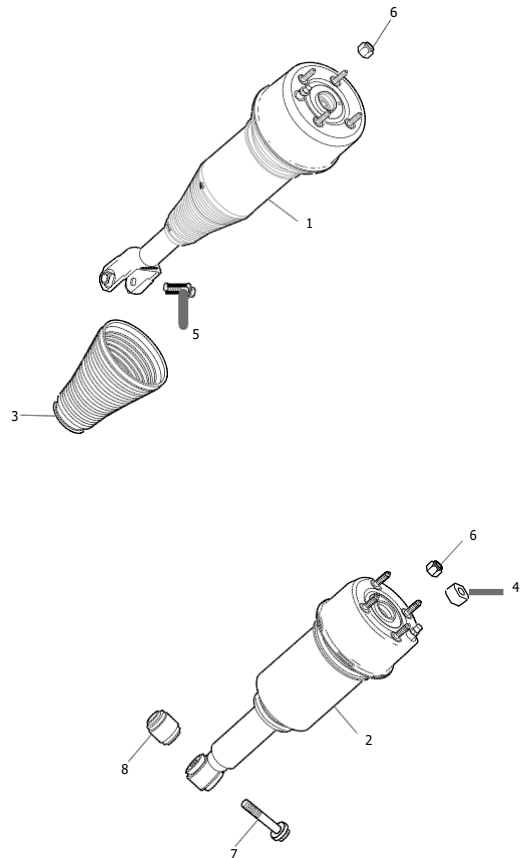
REAR WISHBONES

1	Upper Wishbone Arm		1
	LH	C2C41963	1
	RH	C2C41962	1
2	Flange Head Bolt	C2P22187	2
3	Flanged Nut	C2S42348	2
4	Wishbone Arm Rear		
	LH to VIN G41511	C2C21164	1
	LH from VIN G41512	C2C39586	1
	RH to VIN G41511	C2C21162	1
	RH from VIN G41512	C2C39585	1
5	Bolt	C2D8255	2
6	Flange Head Bolt	C2P7446	2
7	Flange Nut	C2P7445	2
8	Flange Nut	C2P7324	2
9	Flange Head Bolt	XR853289	2
10	Nut & Washer	XR853342	2



AIR SUSPENSION DAMPERS

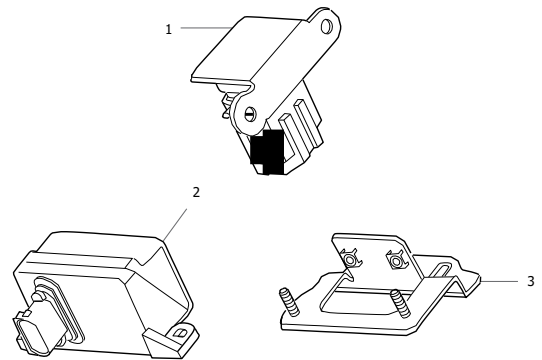
1	Air Spring and Damper Front		
	Comfort Suspension		
	To VIN G35210	C2C41347	2
	VIN G35211 to VIN G49700	C2C41349	2
	From VIN G49701	C2C41339	2
	Sports Suspension		
	To VIN G49700	C2C41352	2
	From VIN G49701	C2C41354	2
2	Air Spring and Damper Rear		
	Comfort Suspension		
	To VIN G35210	C2C41340	2
	VIN G35211 to VIN G49700	C2C41341	2
	From VIN G49701	C2C41343	2
	Sports Suspension	C2C41346	2
3	Damper Gaiter with Clips	C2C12560	2
4	Seal Rear Suspension	C2C18729	2
5	Bolt	C2P5886	2
6	Flange Nut	C2P7191	2
7	Bolt	C2P5886	8
8	Damper Bush	C2D4013	2



REAR SUSPENSION

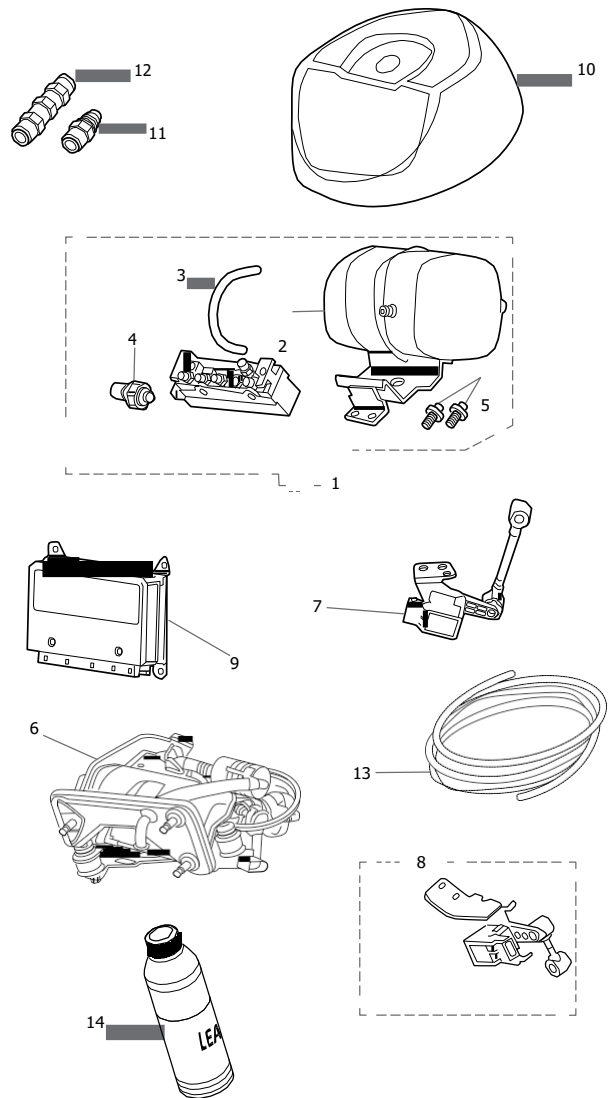
ADAPTIVE DAMPING CONTROL

1	Accelerometer	C2C28124	2
2	Yaw Rate Sensor	C2C34671	2
3	Mounting Bracket	C2C21260	1



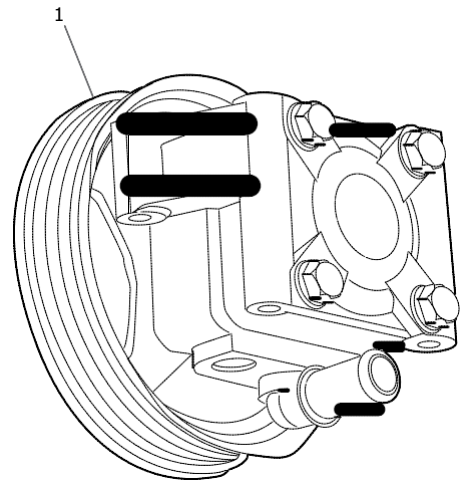
AIR SUPPLY & SENSORS

1	Valve Block	C2C35166	1
2	Reservoir	C2C9929	1
3	Air Tube	C2C9925	1
4	Solenoid	C2C2241	1
5	Valve Block Isolator Kit	C2C9926	2
6	Compressor	C2C27702	1
7	Rear Sensor		
	LH	C2C40511	1
	RH	C2C40512	1
8	Front Sensor		
	LH	C2C40510	1
	RH	C2C2242	1
9	Electronic Control Module	C2C37299	1
10	Cover	C2C2266	1
11	End Connector		
	4mm	C2C9930	A/R
	6mm	C2C9931	A/R
12	Inline Connector		
	4mm	C2C14901	A/R
	6mm	C2C9932	A/R
13	Air Tube supplied as 4m length	C2C13881	1
14	Leak Detection Spray 400ml	C2C22398	1



POWER STEERING PUMP

1	Power Steering Pump		
	3.0 Petrol	C2C35302	1
	4.2 Petrol	C2C34135	1
	Diesel	C2C36768	1



STEERING RACK

1	Steering Rack LHD	C2C38670	1
	Steering Rack RHD	C2C38669	1
2	Transfer Pipe Short		
	LHD	XR830012	1
	RHD	XR830011	1
3	Transfer Pipe Long		
	LHD	XR830010	1
	RHD	XR830013	1
4	Steering Ball Joint (Track Rod End)		
	LH	C2C35783	1
	RH	C2C20176	1
5	Ball Joint Flanged Nut (M12)	C2Z2224	2
6	Mounting Screw/Washer (M12x105mm)	XR835593	2
7	Mounting Bolt (M12x70mm)	C2P7272	1
8	Lower Insulator Bush	XR837779	2
9	Upper Insulator Bush	XR837780	1
10	Steering Rack Gaiter		
	Driver's Side	XR830016	1
	Passenger Side	XR830015	1
11	Outer Clamp	XR87393	2
12	Inner Clamp	XR86545	2
13	Transducer	XR830017	1

