

VEHICLE SPECIFICATIONS



09/2009



Using correct and up-to-date technical data and specifications when servicing Jaguar Vehicles is important to ensure a safe and trouble free operation.

This booklet is produced to assist Jaguar Service Technicians in their task of providing first class repairs and service to Jaguar Vehicles, enabling them to achieve the high standard of workmanship customers expect from Jaguar Retailers.

The date printed on the front cover is the issue date of the booklet. The booklet will be updated and reissued periodically to enable the inclusion of new and modified data.

In between these updates we recommend that information issued in GTR, which supersedes the information issued here, should be entered by hand into this booklet.

Please note this is a global publication and some of the data supplied will not be applicable to your market, therefore always ensure the data required is relevant to the specification of the vehicle concerned.

Vehicle Identification Number (VIN)	1
Wheel Alignment – Front	8
Wheel Alignment – Rear	29
Vehicle Ride Height	41
Tire Size and Pressure	50
Tightening Torques – Wheel Nuts	61
Power Steering Fluid – Specification and Capacity	62
Engine Data	67
Engine Cylinder Numbering and Firing Order	78
Engine Valve Clearances	81
Engine Oil – Specification and Capacity	82
Engine Coolant – Specification and Capacity	100
Accessory Drive Belt Installation	108
Spark Plug Specification	118
Cylinder Head – V8 Gasoline Engine	125
Cylinder Head – V6 Gasoline Engine	127
Cylinder Head – V6 Diesel Engine	128
Cylinder Head – In-line 4 Cylinder Diesel Engine	129
Rear Axle Differential Ratio	130
Transmission and Differential Lubricants – Specification and Capacity	138
Air Conditioning – Specification and Capacity	146

Vehicle Identification Number

Notes

It is essential that Vehicle Identification Number (VIN) is quoted when ordering parts, and in all associated correspondence.

XJ

Up to 2003 MY: Dependent upon market, the VIN and other information are displayed on a label located either on the rear edge of the left-hand front door or on the body front-upper crossmember. The VIN stamping is located on the right-hand-side of the luggage compartment and a quick reference plate is visible through the left-hand lower corner of the windshield.

Up to 2010 MY: The VIN and other information are displayed on a label located on the left-hand 'A' pillar (right-hand in China). The VIN stamping is located on the right-hand-side of the luggage compartment and a quick reference plate is visible through the left-hand lower corner of the windshield.

2010 MY onwards: The VIN and other information are displayed on a label located on the left-hand 'A' pillar (right-hand in China). The VIN stamping is located on the right-hand-side front suspension turret and a quick reference plate is visible through the left-hand lower corner of the windshield.

XK

Up to 2006.5 MY: The VIN and other information are displayed on a label located on the left-hand 'B' pillar above the door striker plate (right-hand in China). The VIN stamping is located on the right-hand-side of the luggage compartment and a quick reference plate is visible through the left-hand lower corner of the windshield.

2006.5 MY onwards: The VIN and other information are displayed on a label located on the left-hand 'B' pillar above the door striker plate (right-hand in China). The VIN stamping is located on the right-hand-front damper tower and a quick reference plate is visible through the left-hand lower corner of the windshield.

Vehicle Identification Number

Notes

It is essential that Vehicle Identification Number (VIN) is quoted when ordering parts, and in all associated correspondence.

XF

The VIN and other information are displayed on a label located on left-hand 'A' pillar (right-hand in China). The VIN stamping is located on the right-hand-side of the body work behind the rear folding seat and a quick reference plate is visible through the left-hand lower corner of the windshield.

S-TYPE

The VIN and other information are displayed on a label located on left-hand 'A' pillar (right-hand in China). The VIN stamping is located on the right-hand-side of the luggage compartment and a quick reference plate is visible through the left-hand lower corner of the windshield.

X-TYPE

The VIN and other information are displayed on a label, located on:

- early vehicles, the left-hand 'A' pillar,
- later vehicles, bottom of the left-hand 'B' pillar.

The VIN stamping is located on the right-hand-side of the luggage compartment and a quick reference plate is visible through the left-hand lower corner of the windshield.

XJ	
Model Year	Start VIN
1998	812317
1999	853936
2000	F00103
2001	F20645
2002 – and final VIN	F41863 – F59525
2003	G00442
2004	G12878
2005	G34528
2006	G49701
2006.25	H00332
2007	H11537
2008	H18680
2009	H29531
2010	V00001

Notes

1998 – Introduction of V8 3.2L Gasoline Engine.
 1998 – Introduction of V8 4.0L N/A and SC Gasoline Engine.
 2003 – Introduction of New XJ.
 2003 – Introduction of V6 3.0L Gasoline Engine.
 2003 – Introduction of V8 3.5L Gasoline Engine.
 2003 – Introduction of V8 4.2L N/A and SC Gasoline Engine.
 2005 – Introduction of Long Wheel Base (LWB) vehicle.
 2006.25 – Introduction of V6 2.7L Diesel Engine.
 2010 – Introduction of New XJ.
 2010 – Introduction of V6 3.0L Diesel Engine.
 2010 – Introduction of V8 5.0L N/A Gasoline Engine.
 2010 – Introduction of V8 5.0L SC Gasoline Engine.

XK	
Model Year	Start VIN
1997	001246
1998	018108
1998.75	024687
1999	031303
2000	A00016
2001	A11051
2002	A24196
2003	A30645
2003.5	A35155
2004	A36874
2004.5	A40265
2005	A42348
2006 – and final VIN	A44686 – A48684
2006.5	B00379
2007.25	B10527
2008	B20075
2009	B27987
2010	B32753

Notes

1997 – Introduction of V8 4.0L N/A Gasoline Engine.
 1998.75 – Introduction of V8 4.0L SC Gasoline Engine.
 2003 – Introduction of V8 4.2L N/A and SC Gasoline Engine.
 2006.5 – Introduction of New XK with V8 4.2L N/A Gasoline Engine
 2007.25 – Introduction of V8 4.2L SC Gasoline Engine.
 2010 – Introduction of V8 5.0L N/A Gasoline Engine.
 2010 – Introduction of V8 5.0L SC Gasoline Engines.

XF	
Model Year	Start VIN
2008.25	R00019
2010	R47154

Notes

2008.25 – Introduction of V6 2.7L Diesel Engine.
 2008.25 – Introduction of V6 3.0L Gasoline Engine.
 2008.25 – Introduction of V8 4.2L N/A Gasoline Engine.
 2008.25 – Introduction of V8 4.2L SC Gasoline Engine.
 2010 – Introduction of V6 3.0L Diesel Engine.
 2010 – Introduction of V8 5.0L N/A Gasoline Engine.
 2010 – Introduction of V8 5.0L SC Gasoline Engine.

S-TYPE	
Model Year	Start VIN
1999.25	L00600
2000	L31321
2000.5	L52923
2001	L86902
2002.5	M45255
2003	M62936
2004	M94765
2004.5	N13089
2004.75	N14071
2006	N52048
2007	N71665
2008 – and final VIN	N80181 – N91220

Notes

1999.25 – Introduction of V6 3.0L Gasoline Engine.
 1999.25 – Introduction of V8 4.0L Gasoline Engine.
 2002.5 – Introduction of V6 2.5L Gasoline Engine.
 2002.5 – Introduction of V8 4.2L N/A and SC Gasoline Engine.
 2004.75 – Introduction of V6 2.7L Diesel Engine.

X-TYPE	
Model Year	Start VIN
2001	C00344
2002	C42385
2002.25	C59261
2003	D01808
2004	D56272
2004.5	D86655
2005	E19616
2005.5	E46483
2006	E67744
2006.25	E73994
2007	J04731
2008	J28493
2009	J39906

Notes

2001 – Introduction of V6 2.5L Gasoline Engine.
 2001 – Introduction of V6 3.0L Gasoline Engine.
 2002.25 – Introduction of V6 2.0L Gasoline Engine.
 2004 – Introduction of in-line 4 cylinder 2.0L Diesel Engine.
 2004.5 – Introduction of Estate.
 2006.25 – Introduction of in-line 4 cylinder 2.2L Diesel Engine.

XJ – Camber							
1998 up to 2003 MY – Start VIN 812317		Left-Hand		Right-Hand		Balance (LH minus RH)	
		Nom	Tol	Nom	Tol	Nom	Tol
XJR Excluding NAS, and German Daimler Super-8							
All Right-Hand Drive and Japan	Decimal Degrees	- 0.97°	± 0.50°	- 0.72°	± 0.50°	- 0.25°	± 1.00°
	Degrees/Minutes	- 0° 58'	± 0° 30'	- 0° 43'	± 0° 30'	- 0° 15'	± 1° 00'
Rest of World	Decimal Degrees	- 0.72°	± 0.50°	- 0.97°	± 0.50°	+ 0.25°	± 1.00°
	Degrees/Minutes	- 0° 43'	± 0° 30'	- 0° 58'	± 0° 30'	+ 0° 15'	± 1° 00'
XJR NAS, and Comfort/Sports/Daimler Super-8							
All Right-Hand Drive and Japan	Decimal Degrees	- 0.52°	± 0.50°	- 0.27°	± 0.50°	- 0.25°	± 1.00°
	Degrees/Minutes	- 0° 31'	± 0° 30'	- 0° 16'	± 0° 30'	- 0° 15'	± 1° 00'
USA, Canada, Mexico, Dominican Republic (NAS)	Decimal Degrees	- 0.02°	± 0.50°	- 0.52°	± 0.50°	+ 0.50°	± 1.00°
	Degrees/Minutes	- 0° 01'	± 0° 30'	- 0° 31'	± 0° 30'	+ 0° 30'	± 1° 00'
Rest of World	Decimal Degrees	- 0.27°	± 0.50°	- 0.52°	± 0.50°	+ 0.25°	± 1.00°
	Degrees/Minutes	- 0° 16'	± 0° 30'	- 0° 31'	± 0° 30'	+ 0° 15'	± 1° 00'

Note: All above figures are at 'showroom' height – See 'Vehicle Ride Height' section.

Note: Tires must be inflated to normal pressure.

Notes

XJ – Camber							
2003 up to 2010 MY – Start VIN G00442		Left-Hand		Right-Hand		Balance (LH minus RH)	
		Nom	Tol	Nom	Tol	Nom	Tol
All Right-Hand Drive and Japan	Decimal Degrees	- 0.70°	± 0.75°	- 0.30°	± 0.75°	- 0.40°	± 0.75°
	Degrees/Minutes	- 0° 42'	± 0° 45'	- 0° 18'	± 0° 45'	- 0° 24'	± 0° 45'
USA, Canada, Mexico, Dominican Republic (NAS)	Decimal Degrees	- 0.25°	± 0.75°	- 0.75°	± 0.75°	+ 0.50°	± 0.75°
	Degrees/Minutes	- 0° 15'	± 0° 45'	- 0° 45'	± 0° 45'	+ 0° 30'	± 0° 45'
Rest of World	Decimal Degrees	- 0.40°	± 0.75°	- 0.60°	± 0.75°	+ 0.20°	± 0.75°
	Degrees/Minutes	- 0° 24'	± 0° 45'	- 0° 36'	± 0° 45'	+ 0° 12'	± 0° 45'
2010 MY onwards – Start VIN V00001							
All Right-Hand Drive and Japan	Decimal Degrees	- 0.50°	± 0.75°	- 0.10°	± 0.75°	- 0.40°	± 0.75°
	Degrees/Minutes	- 0° 30'	± 0° 45'	- 0° 06'	± 0° 45'	- 0° 24'	± 0° 45'
USA, Canada, Mexico, Dominican Republic (NAS)	Decimal Degrees	- 0.05°	± 0.75°	- 0.55°	± 0.75°	+ 0.50°	± 0.75°
	Degrees/Minutes	- 0° 03'	± 0° 45'	- 0° 33'	± 0° 45'	+ 0° 30'	± 0° 45'
Rest of World	Decimal Degrees	- 0.20°	± 0.75°	- 0.40°	± 0.75°	+ 0.20°	± 0.75°
	Degrees/Minutes	- 0° 12'	± 0° 45'	- 0° 24'	± 0° 45'	+ 0° 12'	± 0° 45'

Note: All above figures are at 'standard' height – See 'Vehicle Ride Height' section.

Note: Tires must be inflated to normal pressure.

Notes

XJ – Castor							
1998 up to 2003 MY – Start VIN 812317		Left-Hand		Right-Hand		Balance (LH minus RH)	
		Nom	Tol	Nom	Tol	Nom	Tol
XJR Excluding NAS, and German Daimler Super-8							
All Right-Hand Drive and Japan	Decimal Degrees	+ 6.00°	± 2.00°	+ 6.00°	± 2.00°	0.00°	± 1.20°
	Degrees/Minutes	+ 6° 00'	± 2° 00'	+ 6° 00'	± 2° 00'	0° 00'	± 1° 12'
Rest of World	Decimal Degrees	+ 6.00°	± 2.00°	+ 6.00°	± 2.00°	0.00°	± 1.20°
	Degrees/Minutes	+ 6° 00'	± 2° 00'	+ 6° 00'	± 2° 00'	0° 00'	± 1° 12'
XJR NAS, and Comfort/Sports/Daimler Super-8							
All Right-Hand Drive and Japan	Decimal Degrees	+ 6.00°	± 2.00°	+ 6.00°	± 2.00°	0.00°	± 1.20°
	Degrees/Minutes	+ 6° 00'	± 2° 00'	+ 6° 00'	± 2° 00'	0° 00'	± 1° 12'
USA, Canada, Mexico, Dominican Republic (NAS)	Decimal Degrees	+ 6.00°	± 2.00°	+ 6.00°	± 2.00°	0.00°	± 1.20°
	Degrees/Minutes	+ 6° 00'	± 2° 00'	+ 6° 00'	± 2° 00'	0° 00'	± 1° 12'
Rest of World	Decimal Degrees	+ 6.00°	± 2.00°	+ 6.00°	± 2.00°	0.00°	± 1.20°
	Degrees/Minutes	+ 6° 00'	± 2° 00'	+ 6° 00'	± 2° 00'	0° 00'	± 1° 12'

Note: All above figures are at 'showroom' height – See 'Vehicle Ride Height' section.

Note: Tires must be inflated to normal pressure.

Notes

XJ – Castor							
2003 up to 2010 MY – Start VIN G00442		Left-Hand		Right-Hand		Balance (LH minus RH)	
		Nom	Tol	Nom	Tol	Nom	Tol
All Right-Hand Drive and Japan	Decimal Degrees	+ 7.57°	± 0.75°	+ 7.04°	± 0.75°	+ 0.54°	± 0.75°
	Degrees/Minutes	+ 7° 34'	± 0° 45'	+ 7° 02'	± 0° 45'	+ 0° 32'	± 0° 45'
USA, Canada, Mexico, Dominican Republic (NAS)	Decimal Degrees	+ 7.48°	± 0.75°	+ 7.48°	± 0.75°	0.00°	± 0.75°
	Degrees/Minutes	+ 7° 29'	± 0° 45'	+ 7° 29'	± 0° 45'	0° 00'	± 0° 45'
Rest of World	Decimal Degrees	+ 7.48°	± 0.75°	+ 7.48°	± 0.75°	0.00°	± 0.75°
	Degrees/Minutes	+ 7° 29'	± 0° 45'	+ 7° 29'	± 0° 45'	0° 00'	± 0° 45'
2010 MY onwards – Start VIN V00001							
All Right-Hand Drive and Japan	Decimal Degrees	+ 7.16°	± 0.75°	+ 6.63°	± 0.75°	+ 0.54°	± 0.75°
	Degrees/Minutes	+ 7° 10'	± 0° 45'	+ 6° 37'	± 0° 45'	+ 0° 32'	± 0° 45'
USA, Canada, Mexico, Dominican Republic (NAS)	Decimal Degrees	+ 6.89°	± 0.75°	+ 6.89°	± 0.75°	0.00°	± 0.75°
	Degrees/Minutes	+ 6° 54'	± 0° 45'	+ 6° 54'	± 0° 45'	0° 00'	± 0° 45'
Rest of World	Decimal Degrees	+ 6.89°	± 0.75°	+ 6.89°	± 0.75°	0.00°	± 0.75°
	Degrees/Minutes	+ 6° 54'	± 0° 45'	+ 6° 54'	± 0° 45'	0° 00'	± 0° 45'

Note: All above figures are at 'standard' height – See 'Vehicle Ride Height' section.

Note: Tires must be inflated to normal pressure.

Notes

Notes

XJ – Toe			
1998 up to 2003 MY – Start VIN 812317		Total Toe	
		Nom	Tol
XJR Excluding NAS, and German Daimler Super-8			
All Right-Hand Drive and Japan	Decimal Degrees	+ 0.25°	± 0.17°
	Degrees/Minutes	+ 0° 15'	± 0° 10'
Rest of World	Decimal Degrees	+ 0.25°	± 0.17°
	Degrees/Minutes	+ 0° 15'	± 0° 10'
XJR NAS, and Comfort/Sports/Daimler Super-8			
All Right-Hand Drive and Japan	Decimal Degrees	+ 0.25°	± 0.17°
	Degrees/Minutes	+ 0° 15'	± 0° 10'
USA, Canada, Mexico, Dominican Republic (NAS)	Decimal Degrees	+ 0.25°	± 0.17°
	Degrees/Minutes	+ 0° 15'	± 0° 10'
Rest of World	Decimal Degrees	+ 0.25°	± 0.17°
	Degrees/Minutes	+ 0° 15'	± 0° 10'

Note: All above figures are at 'showroom' height – See 'Vehicle Ride Height' section.

Note: Tires must be inflated to normal pressure.

Notes

XJ – Toe			
2003 up to 2010 MY – Start VIN G00442		Total Toe	
		Nom	Tol
All Right-Hand Drive and Japan	Decimal Degrees	+ 0.10°	± 0.20°
	Degrees/Minutes	+ 0° 06'	± 0° 12'
USA, Canada, Mexico, Dominican Republic (NAS)	Decimal Degrees	+ 0.10°	± 0.20°
	Degrees/Minutes	+ 0° 06'	± 0° 12'
Rest of World	Decimal Degrees	+ 0.10°	± 0.20°
	Degrees/Minutes	+ 0° 06'	± 0° 12'
2010 MY onwards – Start VIN V00001			
All Right-Hand Drive and Japan	Decimal Degrees	+ 0.23°	± 0.20°
	Degrees/Minutes	+ 0° 14'	± 0° 12'
USA, Canada, Mexico, Dominican Republic (NAS)	Decimal Degrees	+ 0.23°	± 0.20°
	Degrees/Minutes	+ 0° 14'	± 0° 12'
Rest of World	Decimal Degrees	+ 0.23°	± 0.20°
	Degrees/Minutes	+ 0° 14'	± 0° 12'

Note: All above figures are at 'standard' height – See 'Vehicle Ride Height' section.

Note: Tires must be inflated to normal pressure.

XK – Camber							
1997 up to 2006.5 MY – Start VIN 001246		Left-Hand		Right-Hand		Balance (LH minus RH)	
		Nom	Tol	Nom	Tol	Nom	Tol
All Right-Hand Drive and Japan	Decimal Degrees	- 0.78°	± 0.50°	- 0.26°	± 0.50°	- 0.51°	± 0.70°
	Degrees/Minutes	- 0° 47'	± 0° 30'	- 0° 16'	± 0° 30'	- 0° 31'	± 0° 42'
USA, Canada, Mexico, Dominican Republic (NAS)	Decimal Degrees	- 0.68°	± 0.50°	- 0.80°	± 0.50°	+ 0.13°	± 0.70°
	Degrees/Minutes	- 0° 41'	± 0° 30'	- 0° 48'	± 0° 30'	+ 0° 08'	± 0° 42'
Rest of World	Decimal Degrees	- 0.74°	± 0.50°	- 0.78°	± 0.50°	+ 0.04°	± 0.70°
	Degrees/Minutes	- 0° 44'	± 0° 30'	- 0° 47'	± 0° 30'	+ 0° 02'	± 0° 42'
2006.5 MY onwards – Start VIN B00379							
All Right-Hand Drive and Japan	Decimal Degrees	- 0.70°	± 0.75°	- 0.30°	± 0.75°	- 0.40°	± 0.75°
	Degrees/Minutes	- 0° 42'	± 0° 45'	- 0° 18'	± 0° 45'	- 0° 24'	± 0° 45'
USA, Canada, Mexico, Dominican Republic (NAS)	Decimal Degrees	- 0.25°	± 0.75°	- 0.75°	± 0.75°	+ 0.50°	± 0.75°
	Degrees/Minutes	- 0° 15'	± 0° 45'	- 0° 45'	± 0° 45'	+ 0° 30'	± 0° 45'
Rest of World	Decimal Degrees	- 0.40°	± 0.75°	- 0.60°	± 0.75°	+ 0.20°	± 0.75°
	Degrees/Minutes	- 0° 24'	± 0° 45'	- 0° 36'	± 0° 45'	+ 0° 12'	± 0° 45'

Note: All above figures are at 'curb' height – See 'Vehicle Ride Height' section.

Note: Tires must be inflated to normal pressure.

XK Dynamics Pack Option and XKR-S – Camber							
2009 MY onwards – Start VIN B29970		Left-Hand		Right-Hand		Balance (LH minus RH)	
		Nom	Tol	Nom	Tol	Nom	Tol
All Right-Hand Drive and Japan	Decimal Degrees	- 1.00°	± 0.75°	- 0.60°	± 0.75°	- 0.40°	± 0.75°
	Degrees/Minutes	- 1° 00'	± 0° 45'	- 0° 36'	± 0° 45'	- 0° 24'	± 0° 45'
USA, Canada, Mexico, Dominican Republic (NAS)	Decimal Degrees	- 0.55°	± 0.75°	- 1.05°	± 0.75°	+ 0.50°	± 0.75°
	Degrees/Minutes	- 0° 33'	± 0° 45'	- 1° 03'	± 0° 45'	+ 0° 30'	± 0° 45'
Rest of World	Decimal Degrees	- 0.70°	± 0.75°	- 0.90°	± 0.75°	+ 0.20°	± 0.75°
	Degrees/Minutes	- 0° 42'	± 0° 45'	- 0° 54'	± 0° 45'	+ 0° 12'	± 0° 45'

Note: All above figures are at 'curb' height – See 'Vehicle Ride Height' section.

Note: Tires must be inflated to normal pressure.

Notes

XK – Castor							
1997 up to 2006.5 MY – Start VIN 001246		Left-Hand		Right-Hand		Balance (LH minus RH)	
		Nom	Tol	Nom	Tol	Nom	Tol
All Right-Hand Drive and Japan	Decimal Degrees	+ 7.17°	± 0.70°	+ 7.03°	± 0.70°	+ 0.14°	± 0.70°
	Degrees/Minutes	+ 7° 10'	± 0° 42'	+ 7° 02'	± 0° 42'	+ 0° 08'	± 0° 42'
USA, Canada, Mexico, Dominican Republic (NAS)	Decimal Degrees	+ 6.57°	± 0.70°	+ 7.34°	± 0.70°	- 0.76°	± 0.70°
	Degrees/Minutes	+ 6° 34'	± 0° 42'	+ 7° 20'	± 0° 42'	- 0° 46'	± 0° 42'
Rest of World	Decimal Degrees	+ 6.95°	± 0.70°	+ 7.17°	± 0.70°	- 0.21°	± 0.70°
	Degrees/Minutes	+ 6° 57'	± 0° 42'	+ 7° 10'	± 0° 42'	- 0° 13'	± 0° 42'
2006.5 MY onwards – Start VIN B00379							
All Right-Hand Drive and Japan	Decimal Degrees	+ 7.05°	± 0.75°	+ 6.51°	± 0.75°	+ 0.55°	± 0.75°
	Degrees/Minutes	+ 7° 03'	± 0° 45'	+ 6° 31'	± 0° 45'	+ 0° 33'	± 0° 45'
USA, Canada, Mexico, Dominican Republic (NAS)	Decimal Degrees	+ 6.78°	± 0.75°	+ 6.78°	± 0.75°	0.00°	± 0.75°
	Degrees/Minutes	+ 6° 47'	± 0° 45'	+ 6° 47'	± 0° 45'	0° 00'	± 0° 45'
Rest of World	Decimal Degrees	+ 6.78°	± 0.75°	+ 6.78°	± 0.75°	0.00°	± 0.75°
	Degrees/Minutes	+ 6° 47'	± 0° 45'	+ 6° 47'	± 0° 45'	0° 00'	± 0° 45'

Note: All above figures are at 'curb' height – See 'Vehicle Ride Height' section.

Note: Tires must be inflated to normal pressure.

XK Dynamics Pack Option and XKR-S – Castor							
2009 MY onwards – Start VIN B29970		Left-Hand		Right-Hand		Balance (LH minus RH)	
		Nom	Tol	Nom	Tol	Nom	Tol
All Right-Hand Drive and Japan	Decimal Degrees	+ 7.28°	± 0.75°	+ 6.74°	± 0.75°	+ 0.55°	± 0.75°
	Degrees/Minutes	+ 7° 17'	± 0° 45'	+ 6° 44'	± 0° 45'	+ 0° 33'	± 0° 45'
USA, Canada, Mexico, Dominican Republic (NAS)	Decimal Degrees	+ 7.01°	± 0.75°	+ 7.01°	± 0.75°	0.00°	± 0.75°
	Degrees/Minutes	+ 7° 01'	± 0° 45'	+ 7° 01'	± 0° 45'	0° 00'	± 0° 45'
Rest of World	Decimal Degrees	+ 7.01°	± 0.75°	+ 7.01°	± 0.75°	0.00°	± 0.75°
	Degrees/Minutes	+ 7° 01'	± 0° 45'	+ 7° 01'	± 0° 45'	0° 00'	± 0° 45'

Note: All above figures are at 'curb' height – See 'Vehicle Ride Height' section.

Note: Tires must be inflated to normal pressure.

Notes

Notes

XK – Toe			
1997 up to 2006.5 MY – Start VIN 001246		Total Toe	
		Nom	Tol
All Right-Hand Drive and Japan	Decimal Degrees	+ 0.25°	± 0.17°
	Degrees/Minutes	+ 0° 15'	± 0° 10'
USA, Canada, Mexico, Dominican Republic (NAS)	Decimal Degrees	+ 0.25°	± 0.17°
	Degrees/Minutes	+ 0° 15'	± 0° 10'
Rest of World	Decimal Degrees	+ 0.25°	± 0.17°
	Degrees/Minutes	+ 0° 15'	± 0° 10'
2006.5 MY onwards – Start VIN B00379			
All Right-Hand Drive and Japan	Decimal Degrees	+ 0.17°	± 0.20°
	Degrees/Minutes	+ 0° 10'	± 0° 12'
USA, Canada, Mexico, Dominican Republic (NAS)	Decimal Degrees	+ 0.17°	± 0.20°
	Degrees/Minutes	+ 0° 10'	± 0° 12'
Rest of World	Decimal Degrees	+ 0.17°	± 0.20°
	Degrees/Minutes	+ 0° 10'	± 0° 12'

Note: All above figures are at 'curb' height – See 'Vehicle Ride Height' section.

Note: Tires must be inflated to normal pressure.

XK Dynamics Pack Option and XKR-S – Toe			
2009 MY onwards – Start VIN B29970		Total Toe	
		Nom	Tol
All Right-Hand Drive and Japan	Decimal Degrees	+ 0.14°	± 0.20°
	Degrees/Minutes	+ 0° 08'	± 0° 12'
USA, Canada, Mexico, Dominican Republic (NAS)	Decimal Degrees	+ 0.14°	± 0.20°
	Degrees/Minutes	+ 0° 08'	± 0° 12'
Rest of World	Decimal Degrees	+ 0.14°	± 0.20°
	Degrees/Minutes	+ 0° 08'	± 0° 12'

Notes

Note: All above figures are at 'curb' height – See 'Vehicle Ride Height' section.

Note: Tires must be inflated to normal pressure.

XF – Camber							
2008.25 MY onwards – Start VIN R00019		Left-Hand		Right-Hand		Balance (LH minus RH)	
		Nom	Tol	Nom	Tol	Nom	Tol
All Right-Hand Drive and Japan	Decimal Degrees	- 0.60°	± 0.75°	- 0.20°	± 0.75°	- 0.40°	± 0.75°
	Degrees/Minutes	- 0° 36'	± 0° 45'	- 0° 12'	± 0° 45'	- 0° 24'	± 0° 45'
USA, Canada, Mexico, Dominican Republic (NAS)	Decimal Degrees	- 0.20°	± 0.75°	- 0.55°	± 0.75°	+ 0.35°	± 0.75°
	Degrees/Minutes	- 0° 12'	± 0° 45'	- 0° 33'	± 0° 45'	+ 0° 21'	± 0° 45'
Rest of World	Decimal Degrees	- 0.20°	± 0.75°	- 0.40°	± 0.75°	+ 0.20°	± 0.75°
	Degrees/Minutes	- 0° 12'	± 0° 45'	- 0° 24'	± 0° 45'	+ 0° 12'	± 0° 45'

Note: All above figures are at 'curb' height – See 'Vehicle Ride Height' section.

Note: Tires must be inflated to normal pressure.

Notes

XF – Castor							
2008.25 MY onwards – Start VIN R00019		Left-Hand		Right-Hand		Balance (LH minus RH)	
		Nom	Tol	Nom	Tol	Nom	Tol
All Right-Hand Drive and Japan	Decimal Degrees	+ 6.88°	± 0.75°	+ 6.33°	± 0.75°	+ 0.55°	± 0.75°
	Degrees/Minutes	+ 6° 53'	± 0° 45'	+ 6° 20'	± 0° 45'	+ 0° 33'	± 0° 45'
USA, Canada, Mexico, Dominican Republic (NAS)	Decimal Degrees	+ 6.61°	± 0.75°	+ 6.74°	± 0.75°	- 0.14°	± 0.75°
	Degrees/Minutes	+ 6° 36'	± 0° 45'	+ 6° 45'	± 0° 45'	- 0° 08'	± 0° 45'
Rest of World	Decimal Degrees	+ 6.61°	± 0.75°	+ 6.61°	± 0.75°	0.00°	± 0.75°
	Degrees/Minutes	+ 6° 36'	± 0° 45'	+ 6° 36'	± 0° 45'	0° 00'	± 0° 45'

Note: All above figures are at 'curb' height – See 'Vehicle Ride Height' section.

Note: Tires must be inflated to normal pressure.

Notes

XF – Toe			
2008.25 MY onwards – Start VIN R00019		Total Toe	
		Nom	Tol
All Right-Hand Drive and Japan	Decimal Degrees	+ 0.22°	± 0.20°
	Degrees/Minutes	+ 0° 13'	± 0° 12'
USA, Canada, Mexico, Dominican Republic (NAS)	Decimal Degrees	+ 0.22°	± 0.20°
	Degrees/Minutes	+ 0° 13'	± 0° 12'
Rest of World	Decimal Degrees	+ 0.22°	± 0.20°
	Degrees/Minutes	+ 0° 13'	± 0° 12'

Notes

Note: All above figures are at 'curb' height – See 'Vehicle Ride Height' section.

Note: Tires must be inflated to normal pressure.

S-TYPE – Camber							
1999.25 up to 2002.5 MY – Start VIN L00600		Left-Hand		Right-Hand		Balance (LH minus RH)	
		Nom	Tol	Nom	Tol	Nom	Tol
All Right-Hand Drive and Japan	Decimal Degrees	- 0.25°	± 0.50°	- 0.05°	± 0.50°	- 0.20°	± 0.70°
	Degrees/Minutes	- 0° 15'	± 0° 30'	- 0° 03'	± 0° 30'	- 0° 12'	± 0° 42'
USA, Canada, Mexico, Dominican Republic (NAS)	Decimal Degrees	0.00°	± 0.50°	- 0.60°	± 0.50°	+ 0.60°	± 0.70°
	Degrees/Minutes	0° 00'	± 0° 30'	- 0° 36'	± 0° 30'	+ 0° 36'	± 0° 42'
Rest of World	Decimal Degrees	- 0.05°	± 0.50°	- 0.25°	± 0.50°	+ 0.20°	± 0.70°
	Degrees/Minutes	- 0° 03'	± 0° 30'	- 0° 15'	± 0° 30'	+ 0° 12'	± 0° 42'
2002.5 MY onwards – Start VIN M45255							
All Right-Hand Drive and Japan	Decimal Degrees	- 0.60°	± 0.75°	- 0.20°	± 0.75°	- 0.40°	± 0.75°
	Degrees/Minutes	- 0° 36'	± 0° 45'	- 0° 12'	± 0° 45'	- 0° 24'	± 0° 45'
USA, Canada, Mexico, Dominican Republic (NAS)	Decimal Degrees	- 0.20°	± 0.75°	- 0.55°	± 0.75°	+ 0.35°	± 0.75°
	Degrees/Minutes	- 0° 12'	± 0° 45'	- 0° 33'	± 0° 45'	+ 0° 21'	± 0° 45'
Rest of World	Decimal Degrees	- 0.20°	± 0.75°	- 0.40°	± 0.75°	+ 0.20°	± 0.75°
	Degrees/Minutes	- 0° 12'	± 0° 45'	- 0° 24'	± 0° 45'	+ 0° 12'	± 0° 45'

Note: All above figures are at 'showroom' height – See 'Vehicle Ride Height' section.

Note: Tires must be inflated to normal pressure.

S-TYPE – Castor							
1999.25 up to 2002.5 MY – Start VIN L00600		Left-Hand		Right-Hand		Balance (LH minus RH)	
		Nom	Tol	Nom	Tol	Nom	Tol
All Right-Hand Drive and Japan	Decimal Degrees	+ 7.80°	± 0.70°	+ 7.80°	± 0.70°	0.00°	± 0.70°
	Degrees/Minutes	+ 7° 48'	± 0° 42'	+ 7° 48'	± 0° 42'	0° 00'	± 0° 42'
USA, Canada, Mexico, Dominican Republic (NAS)	Decimal Degrees	+ 7.80°	± 0.70°	+ 7.80°	± 0.70°	0.00°	± 0.70°
	Degrees/Minutes	+ 7° 48'	± 0° 42'	+ 7° 48'	± 0° 42'	0° 00'	± 0° 42'
Rest of World	Decimal Degrees	+ 7.80°	± 0.70°	+ 7.80°	± 0.70°	0.00°	± 0.70°
	Degrees/Minutes	+ 7° 48'	± 0° 42'	+ 7° 48'	± 0° 42'	0° 00'	± 0° 42'
2002.5 MY onwards – Start VIN M45255							
All Right-Hand Drive and Japan	Decimal Degrees	+ 6.88°	± 0.75°	+ 6.33°	± 0.75°	+ 0.55°	± 0.75°
	Degrees/Minutes	+ 6° 53'	± 0° 45'	+ 6° 20'	± 0° 45'	+ 0° 33'	± 0° 45'
USA, Canada, Mexico, Dominican Republic (NAS)	Decimal Degrees	+ 6.61°	± 0.75°	+ 6.74°	± 0.75°	- 0.14°	± 0.75°
	Degrees/Minutes	+ 6° 36'	± 0° 45'	+ 6° 45'	± 0° 45'	- 0° 08'	± 0° 45'
Rest of World	Decimal Degrees	+ 6.61°	± 0.75°	+ 6.61°	± 0.75°	0.00°	± 0.75°
	Degrees/Minutes	+ 6° 36'	± 0° 45'	+ 6° 36'	± 0° 45'	0° 00'	± 0° 45'

Note: All above figures are at 'showroom' height – See 'Vehicle Ride Height' section.

Note: Tires must be inflated to normal pressure.

Notes

S-TYPE – Toe			
1999.25 up to 2002.5 MY – Start VIN L00600		Total Toe	
		Nom	Tol
All Right-Hand Drive and Japan	Decimal Degrees	+ 0.17°	± 0.17°
	Degrees/Minutes	+ 0° 10'	± 0° 10'
USA, Canada, Mexico, Dominican Republic (NAS)	Decimal Degrees	+ 0.17°	± 0.17°
	Degrees/Minutes	+ 0° 10'	± 0° 10'
Rest of World	Decimal Degrees	+ 0.17°	± 0.17°
	Degrees/Minutes	+ 0° 10'	± 0° 10'
2002.5 MY onwards – Start VIN M45255			
All Right-Hand Drive and Japan	Decimal Degrees	+ 0.10°	± 0.20°
	Degrees/Minutes	+ 0° 06'	± 0° 12'
USA, Canada, Mexico, Dominican Republic (NAS)	Decimal Degrees	+ 0.10°	± 0.20°
	Degrees/Minutes	+ 0° 06'	± 0° 12'
Rest of World	Decimal Degrees	+ 0.10°	± 0.20°
	Degrees/Minutes	+ 0° 06'	± 0° 12'

Note: All above figures are at 'showroom' height – See 'Vehicle Ride Height' section.

Note: Tires must be inflated to normal pressure.

X-TYPE – Camber							
2001 MY onwards – Start VIN C00344		Left-Hand		Right-Hand		Balance (LH minus RH)	
		Nom	Tol	Nom	Tol	Nom	Tol
All Markets	Decimal Degrees	- 0.54°	± 0.75°	- 0.54°	± 0.75°	0.00°	± 0.75°
	Degrees/Minutes	- 0° 32'	± 0° 45'	- 0° 32'	± 0° 45'	0° 00'	± 0° 45'

Note: All above figures are at 'curb' height – See 'Vehicle Ride Height' section.

Note: Tires must be inflated to normal pressure.

Notes

X-TYPE – Castor							
2001 MY onwards – Start VIN C00344		Left-Hand		Right-Hand		Balance (LH minus RH)	
		Nom	Tol	Nom	Tol	Nom	Tol
All Markets	Decimal Degrees	+ 2.25°	± 0.75°	+ 2.25°	± 0.75°	0.00°	± 0.75°
	Degrees/Minutes	+ 2° 15'	± 0° 45'	+ 2° 15'	± 0° 45'	0° 00'	± 0° 45'

Note: All above figures are at 'curb' height – See 'Vehicle Ride Height' section.

Note: Tires must be inflated to normal pressure.

Notes

X-TYPE – Toe			
2001 MY onwards – Start VIN C00344		Total Toe	
		Nom	Tol
All Markets	Decimal Degrees	- 0.10°	± 0.20°
	Degrees/Minutes	- 0° 06'	± 0° 12'

Notes

Note: All above figures are at 'curb' height – See 'Vehicle Ride Height' section.

Note: Tires must be inflated to normal pressure.

Notes

XJ – Camber					
1998 up to 2003 MY – Start VIN 812317		Left-Hand		Right-Hand	
		Nom	Tol	Nom	Tol
All Markets	Decimal Degrees	- 0.65°	± 0.60°	- 0.65°	± 0.60°
	Degrees/Minutes	- 0° 39'	± 0° 33'	- 0° 39'	± 0° 33'
2003 up to 2010 MY – Start VIN G00442					
All Markets	Decimal Degrees	- 0.89°	± 0.75°	- 0.89°	± 0.75°
	Degrees/Minutes	- 0° 53'	± 0° 45'	- 0° 53'	± 0° 45'
2010 MY onwards – Start VIN V00001					
All Markets	Decimal Degrees	- 0.67°	± 0.75°	- 0.67°	± 0.75°
	Degrees/Minutes	- 0° 40'	± 0° 45'	- 0° 40'	± 0° 45'

Note: 1998 up to 2003 MY figures are at 'showroom' height – See 'Vehicle Ride Height' section.

Note: 2003 MY onwards figures are at 'standard' height – See 'Vehicle Ride Height' section.

Note: Tires must be inflated to normal pressure.

XJ – Toe									
1998 up to 2003 MY – Start VIN 812317		Left-Hand		Right-Hand		Total Toe		Thrust Angle	
		Nom	Tol	Nom	Tol	Nom	Tol	Nom	Tol
All Markets	Decimal Degrees	+ 0.17°	± 0.08°	+ 0.17°	± 0.08°	+ 0.33°	± 0.17°	0.00°	± 0.08°
	Degrees/Minutes	+ 0° 10'	± 0° 05'	+ 0° 10'	± 0° 05'	+ 0° 20'	± 0° 10'	0° 00'	± 0° 05'
2003 up to 2010 MY – Start VIN G00442									
All Markets	Decimal Degrees	+ 0.08°	± 0.14°	+ 0.08°	± 0.14°	+ 0.16°	± 0.20°	0.00°	± 0.14°
	Degrees/Minutes	+ 0° 05'	± 0° 08'	+ 0° 05'	± 0° 08'	+ 0° 10'	± 0° 12'	0° 00'	± 0° 08'
2010 MY onwards – Start VIN V00001									
All Markets	Decimal Degrees	+ 0.05°	± 0.14°	+ 0.05°	± 0.14°	+ 0.10°	± 0.20°	0.00°	± 0.14°
	Degrees/Minutes	+ 0° 03'	± 0° 08'	+ 0° 03'	± 0° 08'	+ 0° 06'	± 0° 12'	0° 00'	± 0° 08'

Note: 1998 up to 2003 MY figures are at 'showroom' height – See 'Vehicle Ride Height' section.

Note: 2003 MY onwards figures are at 'standard' height – See 'Vehicle Ride Height' section.

Note: Tires must be inflated to normal pressure.

Notes

XK – Camber						Notes
1997 up to 2006.5 MY – Start VIN 001246		Left-Hand		Right-Hand		
		Nom	Tol	Nom	Tol	
All Markets	Decimal Degrees	- 0.50°	± 0.40°	- 0.50°	± 0.40°	
	Degrees/Minutes	- 0° 30'	± 0° 24'	- 0° 30'	± 0° 24'	
2006.5 up to 2010 MY – Start VIN B00379						
All Markets (naturally aspirated)	Decimal Degrees	- 0.53°	± 0.75°	- 0.53°	± 0.75°	
	Degrees/Minutes	- 0° 32'	± 0° 45'	- 0° 32'	± 0° 45'	
All Markets (supercharged)	Decimal Degrees	- 0.63°	± 0.75°	- 0.63°	± 0.75°	
	Degrees/Minutes	- 0° 38'	± 0° 45'	- 0° 38'	± 0° 45'	
2010 MY onwards – Start VIN B32753						
All Markets (naturally aspirated)	Decimal Degrees	- 0.60°	± 0.75°	- 0.60°	± 0.75°	
	Degrees/Minutes	- 0° 36'	± 0° 45'	- 0° 36'	± 0° 45'	
All Markets (supercharged)	Decimal Degrees	- 0.72°	± 0.75°	- 0.72°	± 0.75°	
	Degrees/Minutes	- 0° 43'	± 0° 45'	- 0° 43'	± 0° 45'	

Note: All above figures are at 'curb' height – See 'Vehicle Ride Height' section.

Note: Tires must be inflated to normal pressure.

XK Dynamics Pack Option and XKR-S – Camber					
2009 MY onwards – Start VIN B29970		Left-Hand		Right-Hand	
		Nom	Tol	Nom	Tol
All Markets	Decimal Degrees	- 0.99°	± 0.75°	- 0.99°	± 0.75°
	Degrees/Minutes	- 0° 59'	± 0° 45'	- 0° 59'	± 0° 45'

Notes

Note: All above figures are at 'curb' height – See 'Vehicle Ride Height' section.

Note: Tires must be inflated to normal pressure.

XK – Toe									
1997 up to 2006.5 MY – Start VIN 001246		Left-Hand		Right-Hand		Total Toe		Thrust Angle	
		Nom	Tol	Nom	Tol	Nom	Tol	Nom	Tol
All Markets	Decimal Degrees	+ 0.17°	± 0.08°	+ 0.17°	± 0.08°	+ 0.33°	± 0.17°	0.00°	± 0.08°
	Degrees/Minutes	+ 0° 10'	± 0° 05'	+ 0° 10'	± 0° 05'	+ 0° 20'	± 0° 10'	0° 00'	± 0° 05'
2006.5 MY onwards – Start VIN B00379									
All Markets	Decimal Degrees	+ 0.12°	± 0.14°	+ 0.12°	± 0.14°	+ 0.25°	± 0.20°	0.00°	± 0.14°
	Degrees/Minutes	+ 0° 07'	± 0° 08'	+ 0° 07'	± 0° 08'	+ 0° 15'	± 0° 12'	0° 00'	± 0° 08'

Note: All above figures are at 'curb' height – See 'Vehicle Ride Height' section.

Note: Tires must be inflated to normal pressure.

Notes

XK Dynamics Pack Option and XKR-S – Toe									
2009 MY onwards – Start VIN B29970		Left-Hand		Right-Hand		Total Toe		Thrust Angle	
		Nom	Tol	Nom	Tol	Nom	Tol	Nom	Tol
All Markets	Decimal Degrees	+ 0.12°	± 0.14°	+ 0.12°	± 0.14°	+ 0.25°	± 0.20°	0.00°	± 0.14°
	Degrees/Minutes	+ 0° 07'	± 0° 08'	+ 0° 07'	± 0° 08'	+ 0° 15'	± 0° 12'	0° 00'	± 0° 08'

Note: All above figures are at ‘curb’ height – See ‘Vehicle Ride Height’ section.

Note: Tires must be inflated to normal pressure.

Notes

XF – Camber						<u>Notes</u>
2008.25 up to 2010 MY – Start VIN R00019		Left-Hand		Right-Hand		
		Nom	Tol	Nom	Tol	
All Markets	Decimal Degrees	- 0.69°	± 0.75°	- 0.69°	± 0.75°	
	Degrees/Minutes	- 0° 41'	± 0° 45'	- 0° 41'	± 0° 45'	
2010 MY onwards – Start VIN R47154						
All Markets (naturally aspirated)	Decimal Degrees	- 0.78°	± 0.75°	- 0.78°	± 0.75°	
	Degrees/Minutes	- 0° 47'	± 0° 45'	- 0° 47'	± 0° 45'	
All Markets (supercharged)	Decimal Degrees	- 0.98°	± 0.75°	- 0.98°	± 0.75°	
	Degrees/Minutes	- 0° 59'	± 0° 45'	- 0° 59'	± 0° 45'	

Note: All above figures are at 'curb' height – See 'Vehicle Ride Height' section.

Note: Tires must be inflated to normal pressure.

XF – Toe									
2008.25 MY onwards – Start VIN R00019		Left-Hand		Right-Hand		Total Toe		Thrust Angle	
		Nom	Tol	Nom	Tol	Nom	Tol	Nom	Tol
All Markets	Decimal Degrees	+ 0.09°	± 0.14°	+ 0.09°	± 0.14°	+ 0.17°	± 0.20°	0.00°	± 0.14°
	Degrees/Minutes	+ 0° 05'	± 0° 08'	+ 0° 05'	± 0° 08'	+ 0° 10'	± 0° 12'	0° 00'	± 0° 08'

Note: All above figures are at ‘curb’ height – See ‘Vehicle Ride Height’ section.

Note: Tires must be inflated to normal pressure.

Notes

S-TYPE – Camber						<u>Notes</u>
1999.25 up to 2002.5 MY – Start VIN L00600		Left-Hand		Right-Hand		
		Nom	Tol	Nom	Tol	
All Markets	Decimal Degrees	- 1.00°	± 0.75°	- 1.00°	± 0.75°	
	Degrees/Minutes	- 1° 00'	± 0° 45'	- 1° 00'	± 0° 45'	
2002.5 MY onwards – Start VIN M45255						
All Markets	Decimal Degrees	- 0.54°	± 0.75°	- 0.54°	± 0.75°	
	Degrees/Minutes	- 0° 32'	± 0° 45'	- 0° 32'	± 0° 45'	

Note: All above figures are at 'showroom' height – See 'Vehicle Ride Height' section.

Note: Tires must be inflated to normal pressure.

S-TYPE – Toe									
1999.25 up to 2002.5 MY – Start VIN L00600		Left-Hand		Right-Hand		Total Toe		Thrust Angle	
		Nom	Tol	Nom	Tol	Nom	Tol	Nom	Tol
All Markets	Decimal Degrees	+ 0.12°	± 0.10°	+ 0.12°	± 0.10°	+ 0.25°	± 0.17°	0.00°	± 0.10°
	Degrees/Minutes	+ 0° 07'	± 0° 06'	+ 0° 07'	± 0° 06'	+ 0° 15'	± 0° 10'	0° 00'	± 0° 06'
2002.5 MY onwards – Start VIN M45255									
All Markets	Decimal Degrees	+ 0.08°	± 0.14°	+ 0.08°	± 0.14°	+ 0.16°	± 0.20°	0.00°	± 0.14°
	Degrees/Minutes	+ 0° 05'	± 0° 08'	+ 0° 05'	± 0° 08'	+ 0° 10'	± 0° 12'	0° 00'	± 0° 08'

Note: All above figures are at 'showroom' height – See 'Vehicle Ride Height' section.

Note: Tires must be inflated to normal pressure.

Notes

X-TYPE – Camber						<u>Notes</u>
2001 MY onwards – Start VIN C00344		Left-Hand		Right-Hand		
		Nom	Tol	Nom	Tol	
All Markets	Decimal Degrees	- 0.70°	± 0.75°	- 0.70°	± 0.75°	
	Degrees/Minutes	- 0° 42'	± 0° 45'	- 0° 42'	± 0° 45'	

Note: All above figures are at 'curb' height – See 'Vehicle Ride Height' section.

Note: Tires must be inflated to normal pressure.

X-TYPE – Toe									
2001 MY onwards – Start VIN C00344		Left-Hand		Right-Hand		Total Toe		Thrust Angle	
		Nom	Tol	Nom	Tol	Nom	Tol	Nom	Tol
All Markets	Decimal Degrees	+ 0.12°	± 0.14°	+ 0.12°	± 0.14°	+ 0.25°	± 0.20°	0.00°	± 0.14°
	Degrees/Minutes	+ 0° 07'	± 0° 08'	+ 0° 07'	± 0° 08'	+ 0° 15'	± 0° 12'	0° 00'	± 0° 08'

Note: All above figures are at 'curb' height – See 'Vehicle Ride Height' section.

Note: Tires must be inflated to normal pressure.

Notes

Start VIN	Vehicle/Suspension	Market	Showroom – mm (inch)		Curb – mm (inch)	
			Front	Rear	Front	Rear
XJ: 1998 up to 2003 MY (SWB and LWB)			Front	Rear	Front	Rear
812317	Comfort Suspension	All	389 (15.31)	383 (15.07)	389 (15.31)	373 (14.68)
	Sport Suspension	All	384 (15.11)	376 (14.80)	384 (15.11)	368 (14.48)
	XJR	NAS	389 (15.31)	382 (15.03)	388 (15.27)	372 (14.64)
	XJR	ROW	371 (14.60)	369 (14.52)	370 (14.56)	362 (14.25)
	Supercharged Super 8	All	389 (15.31)	382 (15.03)	388 (15.27)	372 (14.64)

Note: Ride height is measured from the center of the wheel to the apex of the wheel arch, through the wheel center line.

Note: Showroom = with all fluids at full and 20 liters (21 US Quarts) of fuel.

Note: Curb = with all fluids at full and a full tank of fuel.

Note: All figures quoted assume \pm 15 mm (0.59 inch) anticipated build variance and condition.

Notes

Start VIN	Vehicle/Suspension	Market	Standard Ride – mm (inch)	
XJ: 2003 up to 2010 MY (SWB and LWB)			Front	Rear
G00442	Air Suspension	All	386	373

Note: Ride height is measured from the center of the wheel to the apex of the wheel arch, through the wheel center line.

Note: Ride heights quoted are as attained after the vehicle has been leveled using the Pre-Geometry function in Jaguar Approved Diagnostic Equipment. Once leveled, the figures quoted assume ± 15 mm anticipated build variance and condition.

Note: Ride height calibration can only be performed using Jaguar Approved Diagnostic Equipment.

Note: Due to diagnostic equipment calibration, metric figures are quoted only.

Notes

Start VIN	Vehicle/Suspension	Market	Showroom – mm (inch)		Curb – mm (inch)	
			Front	Rear	Front	Rear
XJ: 2010 MY onwards (SWB and LWB)						
V00001	Front – Coil Springs / Rear – Air Suspension	All	404	402	404	402

Note: Ride height calibration can only be performed using Jaguar Approved Diagnostic Equipment.

Note: Due to diagnostic equipment calibration, metric figures are quoted only.

Note: Ride height is measured from the center of the wheel to the apex of the wheel arch, through the wheel center line.

Note: Showroom = with all fluids at full and 20 liters (21 US Quarts) of fuel.

Note: Curb = with all fluids at full and a full tank of fuel.

Note: All figures quoted assume ± 15 mm (0.59 inch) anticipated build variance and condition.

Notes

Start VIN	Vehicle/Suspension	Market	Showroom – mm (inch)		Curb – mm (inch)	
			Front	Rear	Front	Rear
XK: 1997 up to 2006.5 MY						
001246	XK8	All	401 (15.78)	416 (16.37)	400 (15.74)	405 (15.94)
	XKR	All	401 (15.78)	415 (16.33)	400 (15.74)	405 (15.94)
XK: 2006.5 up to 2010 MY						
B00379	Naturally aspirated	All	397 (15.63)	401 (15.78)	396 (15.59)	396 (15.59)
	Supercharged	All	394 (15.51)	397 (15.63)	394 (15.51)	393 (15.47)
XK: 2010 MY onwards						
B32753	Naturally aspirated	All	394 (15.51)	398 (15.67)	394 (15.51)	394 (15.51)
	Supercharged	All	392 (15.43)	393 (15.47)	392 (15.43)	389 (15.31)
XK Dynamics Pack Option and XKR-S: 2009 MY onwards						
B29970		All	384 (15.11)	382 (15.03)	384 (15.11)	379 (14.92)

Note: Ride height is measured from the center of the wheel to the apex of the wheel arch, through the wheel center line.

Note: Showroom = with all fluids at full and 20 liters (21 US Quarts) of fuel.

Note: Curb = with all fluids at full and a full tank of fuel.

Note: All figures quoted assume ± 15 mm (0.59 inch) anticipated build variance and condition.

Notes

Start VIN	Vehicle/Suspension	Market	Showroom – mm (inch)		Curb – mm (inch)	
			Front	Rear	Front	Rear
XF: 2008.25 up to 2010 MY						
R00019	Naturally aspirated and Diesel	All	388 (15.27)	397 (15.63)	387 (15.24)	392 (15.43)
	Supercharged	All	387 (15.24)	391 (15.39)	386 (15.19)	387 (15.24)
XF: 2010 MY onwards						
R47154	Naturally aspirated and Diesel	All	389 (15.31)	396 (15.59)	388 (15.27)	391 (15.39)
	Supercharged	All	385 (15.15)	387 (15.23)	385 (15.15)	384 (15.12)

Note: Ride height is measured from the center of the wheel to the apex of the wheel arch, through the wheel center line.

Note: Showroom = with all fluids at full and 20 liters (21 US Quarts) of fuel.

Note: Curb = with all fluids at full and a full tank of fuel.

Note: All figures quoted assume ± 12 mm (0.47 inch) anticipated build variance and condition.

Notes

Start VIN	Vehicle/Suspension	Market	Showroom – mm (inch)		Curb – mm (inch)	
			Front	Rear	Front	Rear
S-TYPE: 1999.25 up to 2002.5 MY						
L00600	V6 Manual – Non adaptive damping	All	387 (15.23)	384 (15.11)	385 (15.15)	378 (14.88)
	V6 Manual – With adaptive damping	All	385 (15.15)	381 (15.00)	384 (15.11)	375 (14.76)
	V6 Auto – Non adaptive damping	All	386 (15.19)	384 (15.11)	384 (15.11)	378 (14.88)
	V6 Auto – With adaptive damping	All	385 (15.15)	381 (15.00)	384 (15.11)	375 (14.76)
	V8 Auto – Non adaptive damping	All	386 (15.19)	384 (15.11)	384 (15.11)	378 (14.88)
	V8 Auto – With adaptive damping	All	385 (15.15)	381 (15.00)	383 (15.07)	375 (14.76)

Note: Ride height is measured from the center of the wheel to the apex of the wheel arch, through the wheel center line.

Note: Showroom = with all fluids at full and 20 liters (21 US Quarts) of fuel.

Note: Curb = with all fluids at full and a full tank of fuel.

Note: All figures quoted assume ± 15 mm (0.59 inch) anticipated build variance and condition.

Notes

Start VIN	Vehicle/Suspension	Market	Showroom – mm (inch)		Curb – mm (inch)	
			Front	Rear	Front	Rear
S-TYPE: 2002.5 up to 2004.5 MY						
M45255	V6 Manual – Non adaptive damping	All	389 (15.31)	390 (15.35)	387 (15.23)	385 (15.15)
	V6 Manual – With adaptive damping	All	386 (15.19)	385 (15.15)	385 (15.15)	380 (14.96)
	V6 Auto – Non adaptive damping	All	389 (15.31)	390 (15.35)	387 (15.23)	385 (15.15)
	V6 Auto – With adaptive damping	All	386 (15.19)	385 (15.15)	385 (15.15)	380 (14.96)
	V8 N/A Auto – Non adaptive damping	All	387 (15.23)	390 (15.35)	386 (15.19)	385 (15.15)
	V8 N/A Auto – With adaptive damping	All	385 (15.15)	385 (15.15)	384 (15.11)	380 (14.96)
	V8 SC Auto – With adaptive damping	All	382 (15.03)	380 (14.96)	381 (14.99)	375 (14.76)

Note: Ride height is measured from the center of the wheel to the apex of the wheel arch, through the wheel center line.

Note: Showroom = with all fluids at full and 20 liters (21 US Quarts) of fuel.

Note: Curb = with all fluids at full and a full tank of fuel.

Note: All figures quoted assume ± 15 mm (0.59 inch) anticipated build variance and condition.

Notes

Start VIN	Vehicle/Suspension	Market	Showroom – mm (inch)		Curb – mm (inch)	
			Front	Rear	Front	Rear
S-TYPE: 2004.5 MY onwards						
N13089	V6 Gasoline – Comfort	All	390 (15.35)	388 (15.27)	388 (15.27)	383 (15.07)
	V6 Gasoline – Sport	All	387 (15.23)	384 (15.11)	386 (15.19)	379 (14.92)
	V8 Gasoline – Comfort	All	389 (15.31)	388 (15.27)	387 (15.23)	382 (15.03)
	V8 Gasoline – Sport	All	387 (15.23)	384 (15.11)	385 (15.15)	379 (14.92)
	V8 Gasoline – Supercharged 'R'	All	382 (15.03)	380 (14.96)	381 (14.99)	375 (14.76)
	V6 Diesel – Comfort	All	388 (15.27)	388 (15.27)	386 (15.19)	383 (15.07)
	V6 Diesel – Sport	All	385 (15.15)	384 (15.11)	384 (15.11)	379 (14.92)

Note: Ride height is measured from the center of the wheel to the apex of the wheel arch, through the wheel center line.

Note: Showroom = with all fluids at full and 20 liters (21 US Quarts) of fuel.

Note: Curb = with all fluids at full and a full tank of fuel.

Note: All figures quoted assume ± 15 mm (0.59 inch) anticipated build variance and condition.

Notes

Start VIN	Vehicle/Suspension	Market	Showroom – mm (inch)		Curb – mm (inch)	
			Front	Rear	Front	Rear
X-TYPE: 2001 MY onwards						
C00344	All	All	370 (14.56)	375 (14.76)	371 (14.60)	370 (14.56)

Note: Ride height is measured from the center of the wheel to the apex of the wheel arch, through the wheel center line.

Note: Showroom = with all fluids at full and 20 liters (21 US Quarts) of fuel.

Note: Curb = with all fluids at full and a full tank of fuel.

Note: All figures quoted assume \pm 15 mm (0.59 inch) anticipated build variance and condition.

Notes

Vehicle	Wheel Size	Tire Size	Tire Pressure – bar – (lbf/in ²)			
			Up to 160 km/h (100 mile/h)		Over 160 km/h (100 mile/h)	
			Front	Rear	Front	Rear
XJ: 1998 up to 2003 MY – Start VIN 812317						
V8 N/A	7" x 16"	225/60R16	1.8 (26)	1.9 (28)	2.2 (32)	2.3 (34)
	8" x 16"	225/55R16	1.8 (26)	1.9 (28)	2.2 (32)	2.3 (34)
	8" x 17"	235/50R17	1.8 (26)	1.9 (28)	2.2 (32)	2.3 (34)
Super V8 SC	7.5" x 17"	235/50R17	1.8 (26)	1.9 (28)	2.2 (32)	2.3 (34)
XJR SC	8" and 8.5" x 18"	255/40R18	1.8 (26)	1.9 (28)	2.2 (32)	2.3 (34)
SVO option	8.5" x 19"	255/35R19	2.2 (32)	2.4 (35)	2.3 (34)	2.6 (38)
XJ: 2003 up to 2010 MY – Start VIN G00442						
V6/V8 Gasoline N/A	8" x 18"	235/50R18	1.9 (28)	2.0 (30)	2.5 (36)	2.6 (38)
V6 Diesel	8" x 18"	235/50R18	2.0 (30)	2.0 (30)	2.5 (36)	2.6 (38)
NAS and Canada – N/A	8" x 18"	235/50R18	–	–	2.0 (30)	2.2 (32)
V8 SC	8.5" x 19"	255/40R19	1.9 (28)	2.0 (30)	2.2 (32)	2.3 (34)
NAS and Canada – N/A	8.5" x 19"	255/40R19	–	–	2.2 (32)	2.3 (34)
SVO option	8.5" x 20"	255/35R20	2.2 (32)	2.3 (34)	2.3 (34)	2.5 (36)

Note: For previous vehicles with original equipment fitted refer to the vehicle handbook or tire label.

Vehicle	Wheel Size	Tire Size	Tire Pressure – bar – (lbf/in ²)			
			Up to 160 km/h (100 mile/h)		Over 160 km/h (100 mile/h)	
			Front	Rear	Front	Rear
XJ: 2010 MY onwards – Start VIN V00001						
N/A and Diesel	8" x 18"	245/50R18	2.2 (32)	–	2.2 (32)	–
	9" x 18"	275/45R18	–	2.2 (32)	–	2.2 (32)
All	9" x 19"	245/45R19	2.2 (32)	–	2.2 (32)	–
	10" x 19"	275/40R19	–	2.2 (32)	–	2.2 (32)
	9" x 20"	245/40R20	2.2 (32)	–	2.2 (32)	–
	10" x 20"	275/35R20	–	2.2 (32)	–	2.2 (32)

Note: For previous vehicles with original equipment fitted refer to the vehicle handbook or tire label.

Notes

Vehicle	Wheel Size	Tire Size	Tire Pressure – bar – (lbf/in ²)			
			Up to 160 km/h (100 mile/h)		Over 160 km/h (100 mile/h)	
			Front	Rear	Front	Rear
XK: 1997 up to 2006.5 MY – Start VIN 001246						
XK8	8" x 17"	245/50R17	1.8 (26)	1.9 (28)	2.2 (32)	2.3 (34)
XKR and 18" Option	8" x 18"	245/45R18	1.8 (26)	–	2.2 (32)	–
	9" x 18"	255/45R18	–	1.9 (28)	–	2.3 (34)
19" Option	8" x 19"	245/40R19	2.2 (32)	–	2.2 (32)	–
	9" x 19"	255/40R19	–	2.3 (34)	–	2.3 (34)
SVO Option	9" x 20"	255/35R20	2.2 (32)	–	2.2 (32)	–
	10" x 20"	285/30R20	–	2.0 (30)	–	2.0 (30)
XK: 2006.5 up to 2010 MY – Start VIN B00379						
N/A	8.5" x 18"	245/45ZR18	2.1 (31)	–	2.1 (31)	–
	9.5" x 18"	275/40ZR18	–	2.3 (33)	–	2.3 (33)
All	8.5" x 19"	245/40R19	2.1 (31)	–	2.1 (31)	–
	9.5" x 19"	275/35R19	–	2.3 (33)	–	2.3 (33)
	8.5" x 20"	255/35ZR20	2.1 (31)	–	2.1 (31)	–
	9.5" x 20"	285/30ZR20	–	2.3 (33)	–	2.3 (33)

Note: For previous vehicles with original equipment fitted refer to the vehicle handbook or tire label.

Vehicle	Wheel Size	Tire Size	Tire Pressure – bar – (lbf/in ²)			
			Up to 160 km/h (100 mile/h)		Over 160 km/h (100 mile/h)	
			Front	Rear	Front	Rear
XK: 2010 MY onwards – Start VIN B32753						
N/A	8.5" x 18"	245/45ZR18	2.3 (33)	–	2.3 (33)	–
	9.5" x 18"	275/40ZR18	–	2.5 (36)	–	2.5 (36)
All	8.5" x 20"	255/35ZR20	2.3 (33)	–	2.3 (33)	–
	9.5" x 20"	285/30ZR20	–	2.5 (36)	–	2.5 (36)
	8.5" x 19"	245/40R19	2.3 (33)	–	2.3 (33)	–
	9.5" x 19"	275/35R19	–	2.5 (36)	–	2.5 (36)

Note: For previous vehicles with original equipment fitted refer to the vehicle handbook or tire label.

Notes

Vehicle	Wheel Size	Tire Size	Tire Pressure – bar – (lbf/in ²)			
			Up to 160 km/h (100 mile/h)		Over 160 km/h (100 mile/h)	
			Front	Rear	Front	Rear
XF: 2008.25 up to 2010 MY – Start VIN R00019						
ROW – N/A and Diesel	7.5" x 17"	235/55R17	2.3 (34)	2.3 (34)	2.3 (34)	2.3 (34)
	8.5" x 18"	245/45R18	2.1 (31)	2.1 (31)	2.6 (38)	2.6 (38)
	8.5" x 19"	245/40R19	2.1 (31)	2.1 (31)	2.5 (36)	2.5 (36)
All except SC	8.5" x 20"	255/35R20	2.3 (34)	2.3 (34)	2.6 (38)	2.6 (38)
NAS and Canada	8.5" x 18"	245/45R18	–	–	2.1 (31)	2.1 (31)
	8.5" x 19"	245/40R19	–	–	2.4 (35)	2.4 (35)
SV8 SC	8.5" x 20"	255/35R20	2.3 (34)	2.3 (34)	2.3 (34)	2.3 (34)
	9.5" x 20"	285/30R20	2.3 (34)	2.3 (34)	2.3 (34)	2.3 (34)

Note: For previous vehicles with original equipment fitted refer to the vehicle handbook or tire label.

Notes

Vehicle	Wheel Size	Tire Size	Tire Pressure – bar – (lbf/in ²)			
			Up to 160 km/h (100 mile/h)		Over 160 km/h (100 mile/h)	
			Front	Rear	Front	Rear
XF: 2010 MY onwards – Start VIN R47154						
ROW – N/A and Diesel	7.5" x 17"	235/55R17	2.3 (34)	2.3 (34)	2.3 (34)	2.3 (34)
	8.5" x 18"	245/45R18	2.1 (31)	2.1 (31)	2.6 (38)	2.6 (38)
	8.5" x 19"	245/40R19	2.2 (32)	2.2 (32)	2.5 (36)	2.5 (36)
	8.5" x 20"	255/35R20	2.3 (34)	2.3 (34)	2.6 (38)	2.6 (38)
NAS and Canada	8.5" x 18"	245/45R18	–	–	2.3 (33)	2.3 (33)
	8.5" x 19"	245/40R19	–	–	2.5 (36)	2.5 (36)
	8.5" x 19"	245/40R19 (run flat)	–	–	2.3 (34)	2.3 (34)
	8.5" x 20"	255/35R20	–	–	2.3 (34)	2.3 (34)
'R' SC model	8.5" x 20"	255/35ZR20	2.3 (34)	–	2.3 (34)	–
	9.5" x 20"	285/30ZR20	–	2.3 (34)	–	2.3 (34)

Note: For previous vehicles with original equipment fitted refer to the vehicle handbook or tire label.

Notes

Vehicle	Wheel Size	Tire Size	Tire Pressure – bar – (lbf/in ²)			
			Up to 160 km/h (100 mile/h)		Over 160 km/h (100 mile/h)	
			Front	Rear	Front	Rear
S-TYPE: 1999.25 up to 2002.5 MY – Start VIN L00600						
3.0L and 4.0L	7" and 7.5" x 16"	225/55R16	1.8 (26)	1.9 (28)	2.2 (32)	2.3 (34)
Sport	7.5" x 17"	235/50R17	1.8 (26)	1.9 (28)	2.2 (32)	2.3 (34)
Sport	7.5" x 17"	245/45R17	1.8 (26)	1.9 (28)	2.2 (32)	2.3 (34)
Sport	8" x 18"	245/40R18	1.8 (26)	1.9 (28)	2.2 (32)	2.3 (34)
S-TYPE: 2002.5 up to 2004.75 MY – Start VIN M45255						
'R' SC model	8" x 18"	245/40ZR18	1.9 (28)	–	2.5 (36)	–
	9.5" x 18"	275/35ZR18	–	2.2 (32)	–	2.7 (40)
			Load up to 4 people – any speed		Load over 4 people – any speed	
			Front	Rear	Front	Rear
2.5L	6.5" x 16"	205/60R16	2.2 (32)	2.2 (32)	2.7 (39)	2.8 (41)
2.5 SE and 3.0	7.5" x 16"	225/55R16	2.1 (31)	2.1 (31)	2.6 (38)	2.6 (38)
Sport and 4.2	7.5" x 17"	235/50R17	2.1 (31)	2.1 (31)	2.6 (38)	2.6 (38)
SVO Option	8" x 18"	245/40R18	2.1 (31)	2.1 (31)	2.4 (35)	2.4 (35)

Note: For previous vehicles with original equipment fitted refer to the vehicle handbook or tire label.

Vehicle	Wheel Size	Tire Size	Tire Pressure – bar – (lbf/in ²)			
			Up to 160 km/h (100 mile/h)		Over 160 km/h (100 mile/h)	
			Front	Rear	Front	Rear
S-TYPE: 2004.75 up to 2006 MY – Start VIN N14071						
'R' SC model	8" x 18"	245/40ZR18	2.0 (30)	–	2.7 (40)	–
	9.5" x 18"	275/35ZR18	–	2.2 (32)	–	2.7 (40)
			Load up to 4 people – any speed		Load over 4 people – any speed	
			Front	Rear	Front	Rear
2.5L	6.5" x 16"	205/60R16	2.2 (32)	2.2 (32)	2.6 (38)	3.0 (42)
SE all engines	7.5" x 17"	235/50R17	2.1 (31)	2.1 (31)	2.6 (38)	2.6 (38)
Sport all engines	8" x 18"	245/40R18	2.1 (31)	2.1 (31)	2.6 (38)	2.6 (38)
SVO Option	8" x 18"	245/40R18	2.1 (31)	2.1 (31)	2.6 (38)	2.6 (38)
SE all engines (NAS)	7.5" x 17"	235/50R17	2.1 (31)	2.1 (31)	2.2 (32)	2.2 (32)
Sport all engines (NAS)	8" x 18"	245/40R18	2.1 (31)	2.1 (31)	2.4 (35)	2.4 (35)

Note: For previous vehicles with original equipment fitted refer to the vehicle handbook or tire label.

Notes

Vehicle	Wheel Size	Tire Size	Tire Pressure – bar – (lbf/in ²)			
			Up to 160 km/h (100 mile/h)		Over 160 km/h (100 mile/h)	
			Front	Rear	Front	Rear
S-TYPE: 2006 MY onwards – Start VIN N52048						
SE all engines	7.5" x 17"	235/50R17	2.1 (31)	2.1 (31)	2.6 (38)	2.6 (38)
Sport all engines	8" x 18"	245/40R18	2.1 (31)	2.1 (31)	2.6 (38)	2.6 (38)
SVO Option	8" x 19"	245/35R19	2.3 (33)	–	2.5 (37)	–
	9.5" x 19"	275/30R19	–	2.4 (35)	–	2.7 (39)
SE all engines (NAS)	7.5" x 17"	235/50R17	2.2 (32)	2.2 (32)	2.2 (32)	2.2 (32)
Sport all engines (NAS)	8" x 18"	245/40R18	2.4 (35)	2.4 (35)	2.4 (35)	2.4 (35)
'R' SC model	8" x 18"	245/40ZR18	2.0 (30)	–	2.7 (40)	–
	9.5" x 18"	275/35ZR18	–	2.2 (32)	–	2.7 (40)

Note: For previous vehicles with original equipment fitted refer to the vehicle handbook or tire label.

Notes

Vehicle	Wheel Size	Tire Size	Tire Pressure – bar – (lbf/in ²)			
			Up to 160 km/h (100 mile/h)		Over 160 km/h (100 mile/h)	
			Front	Rear	Front	Rear
X-TYPE: 2001 MY onwards – Start VIN C00344						
2.5L and 3.0L Gasoline						
Standard	6.5" x 16"	205/55R16	2.2 (32)	2.2 (32)	2.6 (38)	2.4 (35)
Sport	7" x 17"	225/45R17 91Y	2.0 (30)	2.0 (30)	2.6 (38)	2.4 (35)
Sport	7" x 17"	225/45R17 94W	2.3 (34)	2.3 (34)	2.6 (38)	2.5 (36)
Sport	7.5" x 18"	225/40R18	2.5 (36)	2.3 (34)	2.7 (40)	2.4 (35)
X-TYPE: 2002.25 MY onwards – Start VIN C59261						
2.0L Gasoline						
Standard	6.5" x 16"	205/55R16	2.0 (30)	2.0 (30)	2.4 (35)	2.2 (32)
Sport	7" x 17"	205/50R17	2.3 (34)	2.3 (34)	2.5 (36)	2.3 (34)
Sport	7.5" x 18"	225/40R18	2.3 (34)	2.2 (32)	2.6 (38)	2.4 (35)

Note: For previous vehicles with original equipment fitted refer to the vehicle handbook or tire label.

Notes

Vehicle	Wheel Size	Tire Size	Tire Pressure – bar – (lbf/in ²)			
			Up to 160 km/h (100 mile/h)		Over 160 km/h (100 mile/h)	
			Front	Rear	Front	Rear
X-TYPE: 2004 MY onwards – Start VIN D56272						
2.0L and 2.2L Diesel						
Standard	6.5" x 16"	205/55R16	2.2 (32)	2.0 (30)	2.4 (35)	2.2 (32)
Sport	7" x 17"	225/45R17 91Y	2.2 (32)	2.0 (30)	2.5 (36)	2.3 (34)
Sport	7" x 17"	225/45R17 94W	2.3 (34)	2.3 (34)	2.6 (38)	2.5 (36)
Sport	7.5" x 18"	225/40R18	2.3 (34)	2.2 (32)	2.6 (38)	2.4 (35)

Note: For previous vehicles with original equipment fitted refer to the vehicle handbook or tire label.

Notes

Start VIN	Model Year		Nut Torque Aluminium Wheel		Nut Torque Steel Wheel		<u>Notes</u>
	From	To	Nm	lbf.ft	Nm	lbf.ft	
XJ							
812317	1998	2000	88 – 102	65 – 75	68 – 82	50 – 60	
F00103	2000	2003	88 – 102	65 – 75	–	–	
G00442	2003	2010	115 – 135	85 – 100	–	–	
V00001	2010	Onwards	115 – 135	85 – 100	–	–	
XK							
001246	1997	2000	88 – 102	65 – 75	68 – 82	50 – 60	
A00016	2000	2007	88 – 102	65 – 75	–	–	
B00379	2007	Onwards	115 – 135	85 – 100	–	–	
XF							
R00019	2008.25	Onwards	115 – 135	85 – 100	–	–	
S-TYPE							
L00600	1999.25	Onwards	115 – 135	85 – 100	–	–	
X-TYPE							
C00344	2001	Onwards	88 – 118	65 – 87	68 – 92	50 – 68	

Start VIN	Engine	Market	Fluid Specification	Part Number	Fluid Capacity Liters – US Quarts
XJ: 1998 up to 2003 MY					
812317	3.2 liter	All	Mobil ATF meeting Dexron 3 Specification	JLM 21703	1 approx.
	4.0 liter	All	Mobil ATF meeting Dexron 3 Specification	JLM 21703	1 approx.
	4.0 liter SC	All	Mobil ATF meeting Dexron 3 Specification	JLM 21703	1 approx.
XJ: 2003 up to 2010 MY					
G00442	2.7 liter Diesel	EUR	Mobil ATF meeting Dexron 3 Specification	JLM 21703	1.6 approx.
	3.0 liter	All	Mobil ATF meeting Dexron 3 Specification	JLM 21703	1.6 approx.
	3.5 liter	All	Mobil ATF meeting Dexron 3 Specification	JLM 21703	1.6 approx.
	4.2 liter	All	Mobil ATF meeting Dexron 3 Specification	JLM 21703	1.6 approx.
	4.2 liter SC	All	Mobil ATF meeting Dexron 3 Specification	JLM 21703	1.6 approx.
XJ: 2010 MY onwards					
V00001	3.0 liter Diesel	EUR	Mobil ATF meeting Dexron 3 Specification	JLM 21703	1.6 approx.
	5.0 liter	All	Mobil ATF meeting Dexron 3 Specification	JLM 21703	1.6 approx.
	5.0 liter SC	All	Mobil ATF meeting Dexron 3 Specification	JLM 21703	1.6 approx.

Notes

Start VIN	Engine	Market	Fluid Specification	Part Number	Fluid Capacity Liters – US Quarts
XK: 1997 up to 1998.75 MY					
001246	4.0 liter	All	Mobil ATF meeting Dexron 3 Specification	JLM 21703	1 approx.
XK: 1998.75 up to 2003 MY					
024687	4.0 liter	All	Mobil ATF meeting Dexron 3 Specification	JLM 21703	1 approx.
	4.0 liter SC	All	Mobil ATF meeting Dexron 3 Specification	JLM 21703	1 approx.
XK: 2003 up to 2006.5 MY					
A30645	4.2 liter	All	Mobil ATF meeting Dexron 3 Specification	JLM 21703	1 approx.
	4.2 liter SC	All	Mobil ATF meeting Dexron 3 Specification	JLM 21703	1 approx.
XK: 2006.5 up to 2010 MY					
B00379	4.2 liter	All	Mobil ATF meeting Dexron 3 Specification	JLM 21703	1 approx.
	4.2 liter SC	All	Mobil ATF meeting Dexron 3 Specification	JLM 21703	1 approx.
XK: 2010 MY onwards					
B32753	5.0 liter	All	Mobil ATF meeting Dexron 3 Specification	JLM 21703	1 approx.
	5.0 liter SC	All	Mobil ATF meeting Dexron 3 Specification	JLM 21703	1 approx.

Notes

Start VIN	Engine	Market	Fluid Specification	Part Number	Fluid Capacity Liters – US Quarts
XF: 2008.25 up to 2010 MY					
R00019	2.7 liter Diesel	EUR	Mobil ATF meeting Dexron 3 Specification	JLM 21703	1.6 approx.
	3.0 liter	All	Mobil ATF meeting Dexron 3 Specification	JLM 21703	1.6 approx.
	4.2 liter	All	Mobil ATF meeting Dexron 3 Specification	JLM 21703	1.6 approx.
	4.2 liter SC	All	Mobil ATF meeting Dexron 3 Specification	JLM 21703	1.6 approx.
XF: 2010 MY onwards					
R47154	3.0 liter Diesel	EUR	Mobil ATF meeting Dexron 3 Specification	JLM 21703	1.6 approx.
	3.0 liter	All	Mobil ATF meeting Dexron 3 Specification	JLM 21703	1.6 approx.
	4.2 liter	NAS	Mobil ATF meeting Dexron 3 Specification	JLM 21703	1.6 approx.
	5.0 liter	All	Mobil ATF meeting Dexron 3 Specification	JLM 21703	1.6 approx.
	5.0 liter SC	All	Mobil ATF meeting Dexron 3 Specification	JLM 21703	1.6 approx.

Notes

Start VIN	Engine	Market	Fluid Specification	Part Number	Fluid Capacity Liters – US Quarts
S-TYPE: 1999.25 up to 2001 MY					
L00600	3.0 liter	All	WSA–M2C195–A	JLM 20772	1 approx.
	4.0 liter	All	WSA–M2C195–A	JLM 20772	1 approx.
S-TYPE: 2001 up to 2002.5 MY					
L86902	3.0 liter	All	Mobil ATF meeting Dexron 3 Specification	JLM 21703	1.6 approx.
	4.0 liter	All	Mobil ATF meeting Dexron 3 Specification	JLM 21703	1.6 approx.
S-TYPE: 2002.5 MY onwards					
M45255	2.5 liter	All	Mobil ATF meeting Dexron 3 Specification	JLM 21703	1.6 approx
	2.7 liter Diesel	EUR	Mobil ATF meeting Dexron 3 Specification	JLM 21703	1.6 approx
	3.0 liter	All	Mobil ATF meeting Dexron 3 Specification	JLM 21703	1.6 approx
	4.2 liter	All	Mobil ATF meeting Dexron 3 Specification	JLM 21703	1.6 approx
	4.2 liter SC	All	Mobil ATF meeting Dexron 3 Specification	JLM 21703	1.6 approx

Notes

Start VIN	Engine	Market	Fluid Specification	Part Number	Fluid Capacity Liters – US Quarts
X-TYPE: 2001 MY onwards					
C00344	2.0 liter Gasoline	All	Mobil ATF meeting Dexron 3 Specification	JLM 21703	1.2 approx.
	2.0 liter Diesel	EUR	Mobil ATF meeting Dexron 3 Specification	JLM 21703	1.5 approx.
	2.2 liter Diesel	EUR	Mobil ATF meeting Dexron 3 Specification	JLM 21703	1.5 approx.
	2.5 liter Gasoline	All	Mobil ATF meeting Dexron 3 Specification	JLM 21703	1.2 approx.
	3.0 liter Gasoline	All	Mobil ATF meeting Dexron 3 Specification	JLM 21703	1.2 approx.

Notes

Model/Engine	Engine Capacity	Engine Description	Max. Engine Power (SAE)	Max. Engine Torque (SAE)	Max. Engine Power (EEC)	Max. Engine Torque (EEC)	Comp. Ratio	Bore	Stroke
XJ: 1998 up to 2003 MY – Start VIN 812317									
3.2 liter Gasoline	3248 cm ³ (198.2 in ³)	90° 'V' 8 Cylinder 32 Valves	Not applicable	Not applicable	174 kW at 6350 RPM	310 Nm at 4350 RPM	10.5 : 1 ± 0.5 : 1	86.0 mm (3.386 in)	70.0 mm (2.756 in)
4.0 liter Gasoline	3996 cm ³ (244 in ³)	90° 'V' 8 Cylinder 32 Valves	280 BHP at 6100 RPM	276 lbf.ft at 4250 RPM	209 kW at 6100 RPM	375 Nm at 4250 RPM	10.75 : 1 ± 0.5 : 1	86.0 mm (3.386 in)	86.0 mm (3.386 in)
4.0 liter SC Gasoline	3996 cm ³ (244 in ³)	90° 'V' 8 Cylinder 32 Valves	358 BHP at 6150 RPM	372 lbf.ft at 3600 RPM	267 kW at 6150 RPM	505 Nm at 3600 RPM	8.9 : 1 ± 0.5 : 1	86.0 mm (3.386 in)	86.0 mm (3.386 in)

Notes

Model/Engine	Engine Capacity	Engine Description	Max. Engine Power (SAE)	Max. Engine Torque (SAE)	Max. Engine Power (EEC)	Max. Engine Torque (EEC)	Comp. Ratio	Bore	Stroke
XJ: 2003 up to 2010 MY – Start VIN G00442									
2.7 liter Diesel	2720 cm ³ (166 in ³)	60° 'V' 6 Cylinder 24 Valves	Not applicable	Not applicable	152 kW at 4000 RPM	435 Nm at 1900 RPM	17.3 : 1 ± 0.5 : 1	81.0 mm (3.189 in)	88.0 mm (3.386 in)
3.0 liter Gasoline	2967 cm ³ (181 in ³)	60° 'V' 6 Cylinder 24 Valves	235 BHP at 6800 RPM	216 lbf.ft at 4100 RPM	175 kW at 6800 RPM	293 Nm at 4100 RPM	10.5 : 1 ± 0.5 : 1	89.0 mm (3.504 in)	79.5 mm (3.130 in)
3.5 liter Gasoline	3555 cm ³ (216 in ³)	90° 'V' 8 Cylinder 32 Valves	Not applicable	Not applicable	190 kW at 6250 RPM	335.2 Nm at 4200 RPM	11.0 : 1 ± 0.5 : 1	86.0 mm (3.386 in)	76.5 mm (3.011 in)
4.2 liter Gasoline	4196 cm ³ (256 in ³)	90° 'V' 8 Cylinder 32 Valves	300 BHP at 6000 RPM	310 lbf.ft at 4100 RPM	218.9 kW at 6000 RPM	410.8 Nm at 4100 RPM	11.0 : 1 ± 0.5 : 1	86.0 mm (3.386 in)	90.3 mm (3.555 in)
4.2 liter SC Gasoline	4196 cm ³ (256 in ³)	90° 'V' 8 Cylinder 32 Valves	400 BHP at 6100 RPM	413 lbf.ft at 3500 RPM	290.8 kW at 6100 RPM	541.4 Nm at 3500 RPM	9.1 : 1 ± 0.5 : 1	86.0 mm (3.386 in)	90.3 mm (3.555 in)

Notes

Model/Engine	Engine Capacity	Engine Description	Max. Engine Power (SAE)	Max. Engine Torque (SAE)	Max. Engine Power (EEC)	Max. Engine Torque (EEC)	Comp. Ratio	Bore	Stroke
XJ: 2010 MY onwards – Start VIN V00001									
3.0 liter Diesel	2993 cm ³ (183 in ³)	60° 'V' 6 Cylinder 24 Valves	Not applicable	Not applicable	202 kW at 4000 RPM	600 Nm at 2000 RPM	16 : 1 ± 0.5 : 1	84 mm (3.307 in)	90 mm (3.543 in)
5.0 liter Gasoline	5000 cm ³ (305 in ³)	90° 'V' 8 Cylinder 32 Valves	385 BHP at 6500 RPM	380 lbf.ft at 3500 RPM	283 kW at 6500 RPM	515 Nm at 3500 RPM	11.5 : 1 ± 0.5 : 1	92.5 mm (3.642 in)	93.0 mm (3.661 in)
5.0 liter SC Gasoline (Mid-Power)	5000 cm ³ (305 in ³)	90° 'V' 8 Cylinder 32 Valves	470 BHP at 6000 – 6500 RPM	424 lbf.ft at 2500 – 5500 RPM	346 kW at 6000 – 6500 RPM	575 Nm at 2500 – 5500 RPM	9.5 : 1 ± 0.5 : 1	92.5 mm (3.642 in)	93.0 mm (3.661 in)
5.0 liter SC Gasoline (High-Power)	5000 cm ³ (305 in ³)	90° 'V' 8 Cylinder 32 Valves	510 BHP at 6000 – 6500 RPM	461 lbf.ft at 2500 – 5500 RPM	375 kW at 6000 – 6500 RPM	625 Nm at 2500 – 5500 RPM	9.5 : 1 ± 0.5 : 1	92.5 mm (3.642 in)	93.0 mm (3.661 in)

Notes

Model/Engine	Engine Capacity	Engine Description	Max. Engine Power (SAE)	Max. Engine Torque (SAE)	Max. Engine Power (EEC)	Max. Engine Torque (EEC)	Comp. Ratio	Bore	Stroke
XK: 1997 up to 1998.75 MY – Start VIN 001246									
4.0 liter Gasoline	3996 cm ³ (244 in ³)	90° 'V' 8 Cylinder 32 Valves	280 BHP at 6100 RPM	276 lbf.ft at 4250 RPM	209 kW at 6100 RPM	375 Nm at 4250 RPM	10.75 : 1 ± 0.5 : 1	86.0 mm (3.386 in)	86.0 mm (3.386 in)
XK: 1998.75 up to 2003 MY – Start VIN 024687									
4.0 liter Gasoline	3996 cm ³ (244 in ³)	90° 'V' 8 Cylinder 32 Valves	280 BHP at 6100 RPM	276 lbf.ft at 4250 RPM	209 kW at 6100 RPM	375 Nm at 4250 RPM	10.75 : 1 ± 0.5 : 1	86.0 mm (3.386 in)	86.0 mm (3.386 in)
4.0 liter SC Gasoline	3996 cm ³ (244 in ³)	90° 'V' 8 Cylinder 32 Valves	358 BHP at 6150 RPM	372 lbf.ft at 3600 RPM	267 kW at 6150 RPM	505 Nm at 3600 RPM	8.9 : 1 ± 0.5 : 1	86.0 mm (3.386 in)	86.0 mm (3.386 in)

Notes

Model/Engine	Engine Capacity	Engine Description	Max. Engine Power (SAE)	Max. Engine Torque (SAE)	Max. Engine Power (EEC)	Max. Engine Torque (EEC)	Comp. Ratio	Bore	Stroke
XK: 2003 up to 2006.5 MY – Start VIN A30645									
4.2 liter Gasoline	4196 cm ³ (256 in ³)	90° 'V' 8 Cylinder 32 Valves	300 BHP at 6000 RPM	310 lbf.ft at 4100 RPM	218.9 kW at 6000 RPM	410.8 Nm at 4100 RPM	11.0 : 1 ± 0.5 : 1	86.0 mm (3.386 in)	90.3 mm (3.555 in)
4.2 liter SC Gasoline	4196 cm ³ (256 in ³)	90° 'V' 8 Cylinder 32 Valves	390 BHP at 6100 RPM	399 lbf.ft at 3500 RPM	290.8 kW at 6100 RPM	541.4 Nm at 3500 RPM	9.1 : 1 ± 0.5 : 1	86.0 mm (3.386 in)	90.3 mm (3.555 in)
XK: 2006.5 up to 2010 MY – Start VIN B00379									
4.2 liter Gasoline	4196 cm ³ (256 in ³)	90° 'V' 8 Cylinder 32 Valves	300 BHP at 6000 RPM	310 lbf.ft at 4100 RPM	218.9 kW at 6000 RPM	410.8 Nm at 4100 RPM	11.0 : 1 ± 0.5 : 1	86.0 mm (3.386 in)	90.3 mm (3.555 in)
4.2 liter SC Gasoline	4196 cm ³ (256 in ³)	90° 'V' 8 Cylinder 32 Valves	420 BHP at 6250 RPM	413 lbf.ft at 4000 RPM	306 kW at 6250 RPM	560 Nm at 4000 RPM	9.1 : 1 ± 0.5 : 1	86.0 mm (3.386 in)	90.3 mm (3.555 in)

Notes

Model/Engine	Engine Capacity	Engine Description	Max. Engine Power (SAE)	Max. Engine Torque (SAE)	Max. Engine Power (EEC)	Max. Engine Torque (EEC)	Comp. Ratio	Bore	Stroke
XK: 2010 MY onwards – Start VIN B32753									
5.0 liter Gasoline	5000 cm ³ (305 in ³)	90° 'V' 8 Cylinder 32 Valves	385 BHP at 6500 RPM	380 lbf.ft at 3500 RPM	283 kW at 6500 RPM	515 Nm at 3500 RPM	11.5 : 1 ± 0.5 : 1	92.5 mm (3.642 in)	93.0 mm (3.661 in)
5.0 liter SC Gasoline	5000 cm ³ (305 in ³)	90° 'V' 8 Cylinder 32 Valves	510 BHP at 6000 – 6500 RPM	461 lbf.ft at 2500 – 5500 RPM	375 kW at 6000 – 6500 RPM	625 Nm at 2500 – 5500 RPM	9.5 : 1 ± 0.5 : 1	92.5 mm (3.642 in)	93.0 mm (3.661 in)

Notes

Model/Engine	Engine Capacity	Engine Description	Max. Engine Power (SAE)	Max. Engine Torque (SAE)	Max. Engine Power (EEC)	Max. Engine Torque (EEC)	Comp. Ratio	Bore	Stroke
XF: 2008.25 up to 2010 MY – Start VIN R00019									
2.7 liter Diesel	2720 cm ³ (166 in ³)	60° 'V' 6 Cylinder 24 Valves	Not applicable	Not applicable	152 kW at 4000 RPM	435 Nm at 1900 RPM	17.3 : 1 ± 0.5 : 1	81.0 mm (3.189 in)	88.0 mm (3.386 in)
3.0 liter Gasoline	2967 cm ³ (181 in ³)	60° 'V' 6 Cylinder 24 Valves	235 BHP at 6800 RPM	216 lbf.ft at 4100 RPM	175 kW at 6800 RPM	293 Nm at 4100 RPM	10.5 : 1 ± 0.5 : 1	89.0 mm (3.504 in)	79.5 mm (3.130 in)
4.2 liter Gasoline	4196 cm ³ (256 in ³)	90° 'V' 8 Cylinder 32 Valves	300 BHP at 6000 RPM	310 lbf.ft at 4100 RPM	218.9 kW at 6000 RPM	410.8 Nm at 4100 RPM	11.0 : 1 ± 0.5 : 1	86.0 mm (3.386 in)	90.3 mm (3.555 in)
4.2 liter SC Gasoline	4196 cm ³ (256 in ³)	90° 'V' 8 Cylinder 32 Valves	420 BHP at 6250 RPM	413 lbf.ft at 4000 RPM	306 kW at 6250 RPM	560 Nm at 4000 RPM	9.1 : 1 ± 0.5 : 1	86.0 mm (3.386 in)	90.3 mm (3.555 in)

Notes

Model/Engine	Engine Capacity	Engine Description	Max. Engine Power (SAE)	Max. Engine Torque (SAE)	Max. Engine Power (EEC)	Max. Engine Torque (EEC)	Comp. Ratio	Bore	Stroke
XF: 2010 MY onwards – Start VIN R47154									
3.0 liter Diesel (Low-Power)	2993 cm ³ (183 in ³)	60° 'V' 6 Cylinder 24 Valves	Not applicable	Not applicable	155 kW at 4000 RPM	450 Nm at 2000 RPM	16 : 1 ± 0.5 : 1	84 mm (3.307 in)	90 mm (3.543 in)
3.0 liter Diesel (Mid-Power)	2993 cm ³ (183 in ³)	60° 'V' 6 Cylinder 24 Valves	Not applicable	Not applicable	177 kW at 4000 RPM	500 Nm at 2000 RPM	16 : 1 ± 0.5 : 1	84 mm (3.307 in)	90 mm (3.543 in)
3.0 liter Diesel (High-Power)	2993 cm ³ (183 in ³)	60° 'V' 6 Cylinder 24 Valves	Not applicable	Not applicable	202 kW at 4000 RPM	600 Nm at 2000 RPM	16 : 1 ± 0.5 : 1	84 mm (3.307 in)	90 mm (3.543 in)
3.0 liter Gasoline	2967 cm ³ (181 in ³)	60° 'V' 6 Cylinder 24 Valves	235 BHP at 6800 RPM	216 lbf.ft at 4100 RPM	175 kW at 6800 RPM	293 Nm at 4100 RPM	10.5 : 1 ± 0.5 : 1	89.0 mm (3.504 in)	79.5 mm (3.130 in)
4.2 liter Gasoline	4196 cm ³ (256 in ³)	90° 'V' 8 Cylinder 32 Valves	300 BHP at 6000 RPM	310 lbf.ft at 4100 RPM	218.9 kW at 6000 RPM	410.8 Nm at 4100 RPM	11.0 : 1 ± 0.5 : 1	86.0 mm (3.386 in)	90.3 mm (3.555 in)
5.0 liter Gasoline	5000 cm ³ (305 in ³)	90° 'V' 8 Cylinder 32 Valves	385 BHP at 6500 RPM	380 lbf.ft at 3500 RPM	283 kW at 6500 RPM	515 Nm at 3500 RPM	11.5 : 1 ± 0.5 : 1	92.5 mm (3.642 in)	93.0 mm (3.661 in)
5.0 liter SC Gasoline	5000 cm ³ (305 in ³)	90° 'V' 8 Cylinder 32 Valves	510 BHP at 6000 – 6500 RPM	461 lbf.ft at 2500 – 5500 RPM	375 kW at 6000 – 6500 RPM	625 Nm at 2500 – 5500 RPM	9.5 : 1 ± 0.5 : 1	92.5 mm (3.642 in)	93.0 mm (3.661 in)

Model/Engine	Engine Capacity	Engine Description	Max. Engine Power (SAE)	Max. Engine Torque (SAE)	Max. Engine Power (EEC)	Max. Engine Torque (EEC)	Comp. Ratio	Bore	Stroke
S-TYPE: 1999.25 up to 2002.5 MY – Start VIN L00600									
3.0 liter Gasoline	2967 cm ³ (181 in ³)	60° 'V' 6 Cylinder 24 Valves	235 BHP at 6800 RPM	216 lbf.ft at 4500 RPM	175 kW at 6800 RPM	293 Nm at 4500 RPM	10.5 : 1 ± 0.5 : 1	89.0 mm (3.504 in)	79.5 mm (3.130 in)
4.0 liter Gasoline	3996 cm ³ (244 in ³)	90° 'V' 8 Cylinder 32 Valves	272 BHP at 6100 RPM	279 lbf.ft at 4300 RPM	203 kW at 6100 RPM	378 Nm at 4300 RPM	10.75 : 1 ± 0.5 : 1	86.0 mm (3.386 in)	86.0 mm (3.386 in)

Notes

Model/Engine	Engine Capacity	Engine Description	Max. Engine Power (SAE)	Max. Engine Torque (SAE)	Max. Engine Power (EEC)	Max. Engine Torque (EEC)	Comp. Ratio	Bore	Stroke
S-TYPE: 2002.5 MY onwards – Start VIN M45255									
2.5 liter Gasoline	2497 cm ³ (152 in ³)	60° 'V' 6 Cylinder 24 Valves	197 BHP at 6800 RPM	181 lbf.ft at 4000 RPM	147 kW at 6800 RPM	245 Nm at 4000 RPM	10.3 : 1 ± 0.35 : 1	81.65 mm (3.214 in)	79.5 mm (3.129 in)
2.7 liter Diesel	2720 cm ³ (166 in ³)	60° 'V' 6 Cylinder 24 Valves	Not applicable	Not applicable	152 kW at 4000 RPM	435 Nm at 1900 RPM	17.3 : 1 ± 0.5 : 1	81.0 mm (3.189 in)	88.0 mm (3.386 in)
3.0 liter Gasoline	2967 cm ³ (181 in ³)	60° 'V' 6 Cylinder 24 Valves	235 BHP at 6800 RPM	216 lbf.ft at 4100 RPM	175 kW at 6800 RPM	293 Nm at 4100 RPM	10.5 : 1 ± 0.5 : 1	89.0 mm (3.504 in)	79.5 mm (3.130 in)
4.2 liter Gasoline	4196 cm ³ (256 in ³)	90° 'V' 8 Cylinder 32 Valves	300 BHP at 6000 RPM	310 lbf.ft at 4100 RPM	218.9 kW at 6000 RPM	410.8 Nm at 4100 RPM	11.0 : 1 ± 0.5 : 1	86.0 mm (3.386 in)	90.3 mm (3.555 in)
4.2 liter SC Gasoline	4196 cm ³ (256 in ³)	90° 'V' 8 Cylinder 32 Valves	400 BHP at 6100 RPM	413 lbf.ft at 3500 RPM	290.8 kW at 6100 RPM	541.4 Nm at 3500 RPM	9.1 : 1 ± 0.5 : 1	86.0 mm (3.386 in)	90.3 mm (3.555 in)

Notes

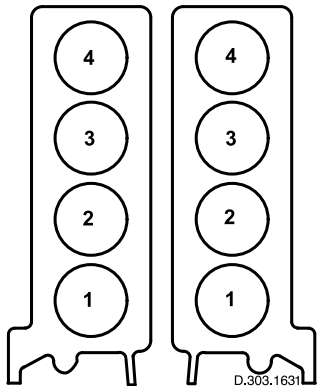
Model/Engine	Engine Capacity	Engine Description	Max. Engine Power (SAE)	Max. Engine Torque (SAE)	Max. Engine Power (EEC)	Max. Engine Torque (EEC)	Comp. Ratio	Bore	Stroke
X-TYPE: 2001 MY onwards – Start VIN C00344									
2.0 liter Gasoline	2099 cm ³ (128 in ³)	60° 'V' 6 Cylinder 24 Valves	154 BHP at 6800 RPM	145 lbf.ft at 4100 RPM	114.6 kW at 6800 RPM	196 Nm at 4100 RPM	10.75 : 1 ± 0.5 : 1	81.65 mm (3.214 in)	66.84 mm (2.631 in)
2.0 liter Diesel	1998 cm ³ (122 in ³)	In-line 4 Cylinder 16 Valves	Not applicable	Not applicable	96 kW at 3800 RPM	330 Nm at 1800 RPM	18.2 : 1 ± 0.5 : 1	86 mm (3.385 in)	86 mm (3.385 in)
2.2 liter Diesel	2198 cm ³ (134 in ³)	In-line 4 Cylinder 16 Valves	Not applicable	Not applicable	114 kW at 3500 RPM	360 Nm at 1800 RPM	17.5 : 1 ± 0.5 : 1	86 mm (3.385 in)	94.6 mm (3.724 in)
2.5 liter Gasoline	2497 cm ³ (152 in ³)	60° 'V' 6 Cylinder 24 Valves	192 BHP at 6800 RPM	178 lbf.ft at 3000 RPM	143.5 kW at 6800 RPM	241 Nm at 3000 RPM	10.30 : 1 ± 0.35 : 1	81.65 mm (3.214 in)	79.5 mm (3.130 in)
3.0 liter Gasoline	2967 cm ³ (181 in ³)	60° 'V' 6 Cylinder 24 Valves	227 BHP at 6800 RPM	206 lbf.ft at 3000 RPM	169.4 kW at 6800 RPM	279.3 Nm at 3000 RPM	10.5 : 1 ± 0.5 : 1	89.0 mm (3.504 in)	79.5 mm (3.130 in)

Notes

V8 Gasoline – Cylinder Numbering and Firing Order

Notes

up to 2002.5 MY



Bank 1

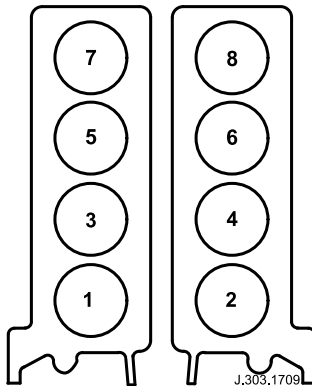
Bank 2

Front of Engine

Firing Order: (Bank) – Cylinder

(1)-1 : (2)-1 : (1)-4 : (1)-2 : (2)-2 : (1)-3 : (2)-3 : (2)-4

2002.5 MY onwards



Bank 1

Bank 2

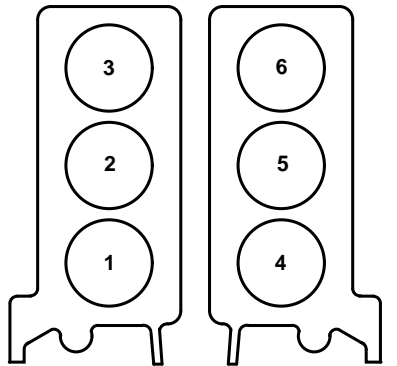
Front of Engine

Firing Order: 1 : 2 : 7 : 3 : 4 : 5 : 6 : 8

V6 Gasoline – Cylinder Numbering and Firing Order

Notes

S-TYPE up to 2002.5 MY



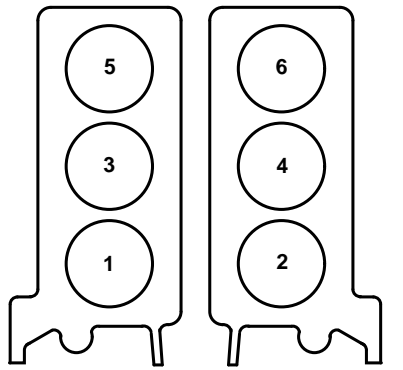
Bank 1

Bank 2

Front of Engine

Firing Order: 1 : 4 : 2 : 5 : 3 : 6

All vehicles regardless of model year
and S-TYPE 2002.5 MY onwards



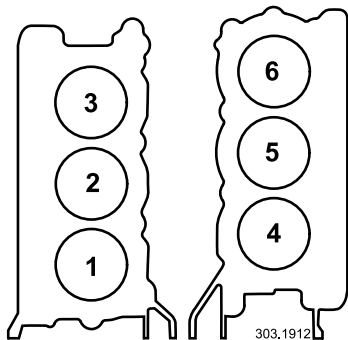
Bank 1

Bank 2

Front of Engine

Firing Order: 1 : 2 : 3 : 4 : 5 : 6

V6 Diesel – Cylinder Numbering and Firing Order



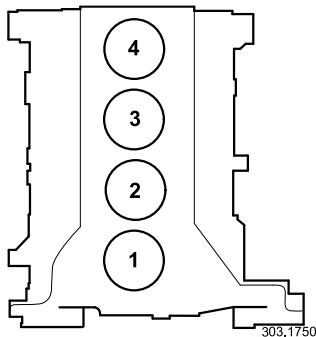
Bank 1

Bank 2

Front of Engine

Firing Order: 1 : 4 : 2 : 5 : 3 : 6

In-line 4 Cylinder Diesel – Cylinder Numbering and Firing Order



Front of Engine

Firing Order: 1 : 3 : 4 : 2

Notes

Engine	Valve Clearances (cold)		<u>Notes</u>
	Intake	Exhaust	
V8 Gasoline SC and N/A (not including 5.0L variant see below)	0.18 – 0.22 mm	0.23 – 0.27 mm	
V8 Gasoline 5.0L N/A	No adjustment necessary	0.23 – 0.27 mm	
V8 Gasoline 5.0L SC	0.18 – 0.22 mm	0.23 – 0.27 mm	
V6 Gasoline	0.175 – 0.225 mm	0.325 – 0.375 mm	
V6 Diesel	No adjustment necessary		
In-line 4 Cylinder Diesel	No adjustment necessary		

Model/Engine	Market	Oil Specification	Engine Oil Capacity service oil fill and filter change Liters (US Quarts)		Start VIN
			oil cooler	non oil cooler	
XJ: 1998 up to 2000 MY					
3.2 liter Gasoline	ROW	API SJ and ACEA A2	–	6.0 (6.4)	812317
4.0 liter Gasoline	NAS	API SJ and ILSAC GF-2 or API SL and ILSAC GF-3	–	6.0 (6.4)	
	ROW	API SJ and ACEA A2			
4.0 liter SC Gasoline	NAS	API SJ and ILSAC GF-2 or API SL and ILSAC GF-3	6.0 (6.4)	–	
	ROW	API SJ and ACEA A3			

Note: The use of supplementary oil or fuel additives is not approved unless specified by Jaguar Cars in the form of a service communication or directive.

Notes

Model/Engine	Market	Oil Specification	Engine Oil Capacity service oil fill and filter change Liters (US Quarts)		Start VIN	
			oil cooler	non oil cooler	From	To
XJ: 2000 MY						
3.2 liter Gasoline	ROW	API SJ / EC and ACEA A1 or A3 Jaguar WSS–M2C913–B preferred	–	6.0 (6.4)	F00103	F00463
				7.0 (7.4)	F00464	F20644
4.0 liter Gasoline	NAS	API SJ / EC and ILSAC GF–2 or API SL and ILSAC GF–3	–	6.0 (6.4)	F00103	F00463
				7.0 (7.4)	F00464	F20644
	ROW	API SJ / EC and ACEA A1 or A3 Jaguar WSS–M2C913–B preferred	–	6.0 (6.4)	F00103	F00463
				7.0 (7.4)	F00464	F20644
4.0 liter SC Gasoline	NAS	API SJ / EC and ILSAC GF–2 or API SL and ILSAC GF–3	6.0 (6.4)	–	F00103	F00463
			7.0 (7.4)	–	F00464	F20644
	ROW	API SJ / EC and ACEA A1 or A3 Jaguar WSS–M2C913–B preferred	6.0 (6.4)	–	F00103	F00463
			7.0 (7.4)	–	F00464	F20644

Note: The use of supplementary oil or fuel additives is not approved unless specified by Jaguar Cars in the form of a service communication or directive.

Notes

Jaguar recommends



Model/Engine	Market	Oil Specification	Engine Oil Capacity service oil fill and filter change Liters (US Quarts)		Start VIN
			oil cooler	non oil cooler	
XJ: 2001 MY					
3.2 liter Gasoline	ROW	API SJ / EC and ACEA A1 or A3 Jaguar WSS–M2C913–B preferred	–	7.0 (7.4)	F20645
4.0 liter Gasoline	NAS	API SJ / EC and ILSAC GF–2 or API SL and ILSAC GF–3	–	7.0 (7.4)	
	ROW	API SJ / EC and ACEA A1 or A3 Jaguar WSS–M2C913–B preferred			
4.0 liter SC Gasoline	NAS	API SJ / EC and ILSAC GF–2 or API SL and ILSAC GF–3	7.0 (7.4)	–	
	ROW	API SJ / EC and ACEA A1 or A3 Jaguar WSS–M2C913–B preferred			

Note: The use of supplementary oil or fuel additives is not approved unless specified by Jaguar Cars in the form of a service communication or directive.

Notes

Model/Engine	Market	Oil Specification	Engine Oil Capacity service oil fill and filter change Liters (US Quarts)		Start VIN
			oil cooler	non oil cooler	
XJ: 2002 up to 2003 MY					
3.2 liter Gasoline	ROW	API SJ / EC and ACEA A1 or A3 Jaguar WSS–M2C913–B preferred	–	7.0 (7.4)	F41863
4.0 liter Gasoline	NAS	API SL and ILSAC GF–3	–	7.0 (7.4)	
	ROW	API SJ / EC and ACEA A1 or A3 Jaguar WSS–M2C913–B preferred			
4.0 liter SC Gasoline	NAS	API SL and ILSAC GF–3	7.0 (7.4)	–	
	ROW	API SJ / EC and ACEA A1 or A3 Jaguar WSS–M2C913–B preferred			


Note: The use of supplementary oil or fuel additives is not approved unless specified by Jaguar Cars in the form of a service communication or directive.

Notes

Model/Engine	Market	Oil Specification	Engine Oil Capacity service oil fill and filter change Liters (US Quarts)		Start VIN
			oil cooler	non oil cooler	
XJ: 2003 up to 2010 MY					
2.7 liter Diesel	EUR	5W-30 meeting Jaguar WSS-M2C913-B	6.6 (7.0)	-	G00442
3.0 liter Gasoline	NAS	API SL and ILSAC GF-3	6.5 (6.9)	-	
	ROW	API SJ / EC and ACEA A1 or A3 Jaguar WSS-M2C913-B preferred			
3.5 liter Gasoline	NAS	API SL and ILSAC GF-3	6.0 (6.4)	-	
	ROW	API SJ / EC and ACEA A1 or A3 Jaguar WSS-M2C913-B preferred			
4.2 liter Gasoline	NAS	API SL and ILSAC GF-3	6.0 (6.4)	-	
	ROW	API SJ / EC and ACEA A1 or A3 Jaguar WSS-M2C913-B preferred			
4.2 liter SC Gasoline	NAS	API SL and ILSAC GF-3	6.0 (6.4)	-	
	ROW	API SJ / EC and ACEA A1 or A3 Jaguar WSS-M2C913-B preferred			

Note: The use of supplementary oil or fuel additives is not approved unless specified by Jaguar Cars in the form of a service communication or directive.

Notes

Jaguar recommends 

Model/Engine	Market	Oil Specification	Engine Oil Capacity service oil fill and filter change Liters (US Quarts)		Start VIN
			oil cooler	non oil cooler	
XJ: 2010 MY onwards					
3.0 liter Diesel	EUR	5W-30 meeting Jaguar WSS-M2C934-B	6.6 (7.0)	-	V00001
5.0 liter Gasoline	NAS	Jaguar WSS-M2C925-A	7.25 (7.6)	-	
		API SM and ILSAC GF-4 (top-up only)			
	ROW	Jaguar WSS-M2C925-A			
5.0 liter SC Gasoline	NAS	Jaguar WSS-M2C925-A	7.25 (7.6)	-	
		API SM and ILSAC GF-4 (top-up only)			
	ROW	Jaguar WSS-M2C925-A			

Note: The use of supplementary oil or fuel additives is not approved unless specified by Jaguar Cars in the form of a service communication or directive.

Notes

Jaguar recommends



Model/Engine	Market	Oil Specification	Engine Oil Capacity service oil fill and filter change Liters (US Quarts)		Start VIN
			oil cooler	non oil cooler	
XK: 1997 MY					
4.0 liter Gasoline	NAS	API SJ and ILSAC GF-2 or API SL and ILSAC GF-3	6.0 (6.4)	-	001246
	ROW	API SJ and ACEA A2			
XK: 1998 MY					
4.0 liter Gasoline	NAS	API SJ and ILSAC GF-2 or API SL and ILSAC GF-3	-	6.0 (6.4)	018108
	ROW	API SJ and ACEA A2			
XK: 1998.75 MY					
4.0 liter Gasoline	NAS	API SJ and ILSAC GF-2 or API SL and ILSAC GF-3	-	6.0 (6.4)	024687
	ROW	API SJ and ACEA A2			
4.0 liter SC Gasoline	ROW	API SJ and ACEA A3	6.0 (6.4)	-	

Note: The use of supplementary oil or fuel additives is not approved unless specified by Jaguar Cars in the form of a service communication or directive.

Notes

Jaguar recommends



Model/Engine	Market	Oil Specification	Engine Oil Capacity service oil fill and filter change Liters (US Quarts)		Start VIN
			oil cooler	non oil cooler	
XK: 1999 MY					
4.0 liter Gasoline	NAS	API SJ / EC and ILSAC GF-2 or API SL and ILSAC GF-3	-	6.0 (6.4)	031303
	ROW	API SJ / EC and ACEA A1 or A3 Jaguar WSS-M2C913-B preferred			
4.0 liter SC Gasoline	NAS	API SJ / EC and ILSAC GF-2 or API SL and ILSAC GF-3	6.0 (6.4)	-	
	ROW	API SJ / EC and ACEA A1 or A3 Jaguar WSS-M2C913-B preferred			

Note: The use of supplementary oil or fuel additives is not approved unless specified by Jaguar Cars in the form of a service communication or directive.

Notes

Jaguar recommends



Model/Engine	Market	Oil Specification	Engine Oil Capacity service oil fill and filter change Liters (US Quarts)		Start VIN	
			oil cooler	non oil cooler	From	To
XK: 2000 MY						
4.0 liter Gasoline	NAS	API SJ / EC and ILSAC GF-2 or API SL and ILSAC GF-3	-	6.0 (6.4)	A00016	A00366
				7.0 (7.4)	A00367	A11050
	ROW	API SJ / EC and ACEA A1 or A3 Jaguar WSS-M2C913-B preferred	-	6.0 (6.4)	A00016	A00366
				7.0 (7.4)	A00367	A11050
4.0 liter SC Gasoline	NAS	API SJ / EC and ILSAC GF-2 or API SL and ILSAC GF-3	6.0 (6.4)	-	A00016	A00366
			7.0 (7.4)	-	A00367	A11050
	ROW	API SJ / EC and ACEA A1 or A3 Jaguar WSS-M2C913-B preferred	6.0 (6.4)	-	A00016	A00366
			7.0 (7.4)	-	A00367	A11050

Note: The use of supplementary oil or fuel additives is not approved unless specified by Jaguar Cars in the form of a service communication or directive.

Notes

Model/Engine	Market	Oil Specification	Engine Oil Capacity service oil fill and filter change Liters (US Quarts)		Start VIN
			oil cooler	non oil cooler	
XK: 2001 MY					
4.0 liter Gasoline	NAS	API SL and ILSAC GF-3	-	7.0 (7.4)	A11051
	ROW	API SJ / EC and ACEA A1 or A3 Jaguar WSS-M2C913-B preferred			
4.0 liter SC Gasoline	NAS	API SL and ILSAC GF-3	7.0 (7.4)	-	
	ROW	API SJ / EC and ACEA A1 or A3 Jaguar WSS-M2C913-B preferred			
XK: 2002 MY					
4.0 liter Gasoline	NAS	API SL and ILSAC GF-3	7.0 (7.4)	7.0 (7.4)	A24196
	ROW	API SJ / EC and ACEA A1 or A3 Jaguar WSS-M2C913-B preferred			
4.0 liter SC Gasoline	NAS	API SL and ILSAC GF-3	7.0 (7.4)	-	
	ROW	API SJ / EC and ACEA A1 or A3 Jaguar WSS-M2C913-B preferred			

Note: The use of supplementary oil or fuel additives is not approved unless specified by Jaguar Cars in the form of a service communication or directive.

Notes


Jaguar recommends



Model/Engine	Market	Oil Specification	Engine Oil Capacity service oil fill and filter change Liters (US Quarts)		Start VIN
			oil cooler	non oil cooler	
XK: 2003 up to 2006.5 MY					
4.2 liter Gasoline	NAS	API SL and ILSAC GF-3	7.0 (7.4)	7.0 (7.4)	A30645
	ROW	API SJ / EC and ACEA A1 or A3 Jaguar WSS-M2C913-B preferred			
4.2 liter SC Gasoline	NAS	API SL and ILSAC GF-3	7.0 (7.4)	-	
	ROW	API SJ / EC and ACEA A1 or A3 Jaguar WSS-M2C913-B preferred			
XK: 2006.5 up to 2010 MY					
4.2 liter Gasoline	NAS	API SM and ILSAC GF-4	7.0 (7.4)	-	B00379
	ROW	API SJ / EC and ACEA A1 or A3 Jaguar WSS-M2C913-B preferred			
4.2 liter SC Gasoline	NAS	API SM and ILSAC GF-4	7.0 (7.4)	-	
	ROW	API SJ / EC and ACEA A1 or A3 Jaguar WSS-M2C913-B preferred			

Note: The use of supplementary oil or fuel additives is not approved unless specified by Jaguar Cars in the form of a service communication or directive.

Notes

Jaguar recommends 

Model/Engine	Market	Oil Specification	Engine Oil Capacity service oil fill and filter change Liters (US Quarts)		Start VIN
			oil cooler	non oil cooler	
XK: 2010 MY onwards					
5.0 liter Gasoline	NAS	Jaguar WSS–M2C925–A API SM and ILSAC GF–4 (top-up only)	7.25 (7.6)	–	B32753
	ROW	Jaguar WSS–M2C925–A			
5.0 liter SC Gasoline	NAS	Jaguar WSS–M2C925–A API SM and ILSAC GF–4 (top-up only)	7.25 (7.6)	–	
	ROW	Jaguar WSS–M2C925–A			

Note: The use of supplementary oil or fuel additives is not approved unless specified by Jaguar Cars in the form of a service communication or directive.

Notes

Model/Engine	Market	Oil Specification	Engine Oil Capacity service oil fill and filter change Liters (US Quarts)		Start VIN
			oil cooler	non oil cooler	
XF: 2008.25 up to 2010 MY					
2.7 liter Diesel	EUR	5W-30 meeting Jaguar WSS-M2C913-B	6.6 (7.0)	-	R00019
3.0 liter Gasoline	NAS	API SM and ILSAC GF-4	6.5 (6.9)	6.5 (6.9)	
	ROW	API SJ / EC and ACEA A1 or A3 Jaguar WSS-M2C913-B preferred	6.5 (6.9)	-	
4.2 liter Gasoline	NAS	API SM and ILSAC GF-4	6.0 (6.4)	-	
	ROW	API SJ / EC and ACEA A1 or A3 Jaguar WSS-M2C913-B preferred			
4.2 liter SC Gasoline	NAS	API SM and ILSAC GF-4	6.0 (6.4)	-	
	ROW	API SJ / EC and ACEA A1 or A3 Jaguar WSS-M2C913-B preferred			

Note: The use of supplementary oil or fuel additives is not approved unless specified by Jaguar Cars in the form of a service communication or directive.

Notes

Model/Engine	Market	Oil Specification	Engine Oil Capacity service oil fill and filter change Liters (US Quarts)		Start VIN
			oil cooler	non oil cooler	
XF: 2010 MY onwards					
3.0 liter Diesel	EUR	5W-30 meeting Jaguar WSS-M2C934-B	6.6 (7.0)	-	R47154
3.0 liter Gasoline	ROW	Jaguar WSS-M2C913-B preferred or ACEA A3/B3/B4	6.5 (6.9)	-	
4.2 liter Gasoline	NAS	API SM and ILSAC GF-4	6.0 (6.4)	-	
5.0 liter Gasoline	NAS	Jaguar WSS-M2C925-A	7.25 (7.6)	-	
		API SM and ILSAC GF-4 (top-up only)			
	ROW	Jaguar WSS-M2C925-A			
5.0 liter SC Gasoline	NAS	Jaguar WSS-M2C925-A	7.25 (7.6)	-	
		API SM and ILSAC GF-4 (top-up only)			
	ROW	Jaguar WSS-M2C925-A			

Note: The use of supplementary oil or fuel additives is not approved unless specified by Jaguar Cars in the form of a service communication or directive.

Notes

Jaguar recommends



Model/Engine	Market	Oil Specification	Engine Oil Capacity service oil fill and filter change Liters (US Quarts)		Start VIN
			oil cooler	non oil cooler	
S-TYPE: 1999.25 MY					
3.0 liter Gasoline	NAS	API SJ / EC and ILSAC GF-2 or API SL and ILSAC GF-3	5.7 (6.0)	-	L00600
	ROW	API SJ / EC and ACEA A1 or A3 Jaguar WSS-M2C913-B preferred			
4.0 liter Gasoline	NAS	API SJ / EC and ILSAC GF-2 or API SL and ILSAC GF-3	6.0 (6.4)	-	
	ROW	API SJ / EC and ACEA A1 or A3 Jaguar WSS-M2C913-B preferred			

Note: The use of supplementary oil or fuel additives is not approved unless specified by Jaguar Cars in the form of a service communication or directive.

Notes

Model/Engine	Market	Oil Specification	Engine Oil Capacity service oil fill and filter change Liters (US Quarts)		Start VIN	
			oil cooler	non oil cooler	From	To
S-TYPE: 2000 up to 2002.5 MY						
3.0 liter Gasoline	NAS	API SL and ILSAC GF-3	5.7 (6.0)	–	L31321	L37177
			6.5 (6.9)	–	L37178*	M45254
	ROW	API SJ / EC and ACEA A1 or A3 Jaguar WSS-M2C913-B preferred	5.7 (6.0)	–	L31321	L37177
			6.5 (6.9)	–	L37178*	M45254
4.0 liter Gasoline	NAS	API SL and ILSAC GF-3	6.0 (6.4)	–	L31321	M45254
	ROW	API SJ / EC and ACEA A1 or A3 Jaguar WSS-M2C913-B preferred				

Note: To signify the oil capacity change to S-TYPE V6 engines during 2000 MY, a new style oil-level gauge was introduced. The new style gauge can be recognized by a loop handle opposed to the old T-bar design. The oil fill mark on the oil-level gauge was also altered by 14 mm. The change was implemented at approximate VIN*.

Note: The use of supplementary oil or fuel additives is not approved unless specified by Jaguar Cars in the form of a service communication or directive.

Notes

Jaguar recommends



Model/Engine	Market	Oil Specification	Engine Oil Capacity service oil fill and filter change Liters (US Quarts)		Start VIN
			oil cooler	non oil cooler	
S-TYPE: 2002.5 MY onwards					
2.5 liter Gasoline	NAS	API SL and ILSAC GF-3	6.5 (6.9)	-	M45255
	ROW	API SJ / EC and ACEA A1 or A3 Jaguar WSS-M2C913-B preferred			
2.7 liter Diesel	EUR	5W-30 meeting Jaguar WSS-M2C913-B	6.6 (7.0)	-	
3.0 liter Gasoline	NAS	API SL and ILSAC GF-3	6.5 (6.9)	6.5 (6.9)	
	ROW	API SJ / EC and ACEA A1 or A3 Jaguar WSS-M2C913-B preferred	6.5 (6.9)	-	
4.2 liter Gasoline	NAS	API SL and ILSAC GF-3	6.0 (6.4)	-	
	ROW	API SJ / EC and ACEA A1 or A3 Jaguar WSS-M2C913-B preferred			
4.2 liter SC Gasoline	NAS	API SL and ILSAC GF-3	6.0 (6.4)	-	
	ROW	API SJ / EC and ACEA A1 or A3 Jaguar WSS-M2C913-B preferred			

Note: The use of supplementary oil or fuel additives is not approved unless specified by Jaguar Cars in the form of a service communication or directive.

Notes

Jaguar recommends



Model/Engine	Market	Oil Specification	Engine Oil Capacity service oil fill and filter change Liters (US Quarts)		Start VIN
			oil cooler	non oil cooler	
X-TYPE: 2001 MY onwards					
2.0 liter Gasoline	NAS	API SL and ILSAC GF-3	5.8 (6.1)	-	C00344
	ROW	API SJ / EC and ACEA A1 or A3 Jaguar WSS-M2C913-B preferred			
2.0 liter Diesel	EUR	5W-30 meeting Jaguar WSS-M2C913-B	6.0 (6.4)	-	
2.2 liter Diesel	EUR	5W-30 meeting Jaguar WSS-M2C913-B	6.0 (6.4)	-	
2.5 liter Gasoline	NAS	API SL and ILSAC GF-3	5.8 (6.1)	-	
	ROW	API SJ / EC and ACEA A1 or A3 Jaguar WSS-M2C913-B preferred			
3.0 liter Gasoline	NAS	API SL and ILSAC GF-3	5.8 (6.1)	-	
	ROW	API SJ / EC and ACEA A1 or A3 Jaguar WSS-M2C913-B preferred			

Note: The use of supplementary oil or fuel additives is not approved unless specified by Jaguar Cars in the form of a service communication or directive.

Notes

Jaguar recommends



Model/Engine	Start VIN		Market	Coolant Specification	Part Number	Total Coolant Capacities 50% water + 50% coolant Liters (US Quarts)
XJ: 1998 MY						
3.2 liter	812317		All	DOW D542	JLM 20404/*	10.0 (10.6) approx.
4.0 liter	812317		All	DOW D542	JLM 20404/*	10.0 (10.6) approx.
4.0 liter SC	812317		All	DOW D542	JLM 20404/*	12.0 (12.7) approx.
XJ: 1999 MY						
	From	To				
3.2 liter	853936	878273	All	DOW D542	JLM 20404/*	10.0 (10.6) approx.
	878274	878717	All	WSS M97B44-D	JLM 20972/*	
4.0 liter	853936	878273	All	DOW D542	JLM 20404/*	10.0 (10.6) approx.
	878274	878717	All	WSS M97B44-D	JLM 20972/*	
4.0 liter	853936	878273	All	DOW D542	JLM 20404/*	12.0 (12.7) approx.
	878274	878717	All	WSS M97B44-D	JLM 20972/*	
XJ: 2000 up to 2003 MY						
3.2 liter	F00103		All	WSS M97B44-D	JLM 20972/*	10.0 (10.6) approx.
4.0 liter	F00103		All	WSS M97B44-D	JLM 20972/*	10.0 (10.6) approx.
4.0 liter SC	F00103		All	WSS M97B44-D	JLM 20972/*	12.0 (12.7) approx.

Note: * denotes container quantity when substituted with a number.

Note: Coolant JLM 20972 is of the Organic Acid Technology (OAT) type and must not be mixed with other types of coolant.

Model/Engine	Start VIN	Market	Coolant Specification	Part Number	Total Coolant Capacities 50% water + 50% coolant Liters (US Quarts)
XJ: 2003 up to 2010 MY					
2.7 liter Diesel – 2 Zone	G00442	EUR	WSS M97B44–D	JLM 20972/*	13.0 (13.73) approx.
3.0 liter – 2 Zone	G00442	All	WSS M97B44–D	JLM 20972/*	10.25 (10.83) approx.
3.0 liter – 4 Zone	G00442	All	WSS M97B44–D	JLM 20972/*	11.05 (11.67) approx.
3.5 liter – 2 Zone	G00442	All	WSS M97B44–D	JLM 20972/*	9.45 (9.98) approx.
3.5 liter – 4 Zone	G00442	All	WSS M97B44–D	JLM 20972/*	10.25 (10.83) approx.
4.2 liter – 2 Zone	G00442	All	WSS M97B44–D	JLM 20972/*	9.45 (9.98) approx.
4.2 liter – 4 Zone	G00442	All	WSS M97B44–D	JLM 20972/*	10.25 (10.83) approx.
4.2 liter SC – 2 Zone	G00442	All	WSS M97B44–D	JLM 20972/*	12.35 (13.05) approx.
4.2 liter SC – 4 Zone	G00442	All	WSS M97B44–D	JLM 20972/*	13.15 (13.89) approx.

Note: * denotes container quantity when substituted with a number.

Note: Coolant JLM 20972 is of the Organic Acid Technology (OAT) type and must not be mixed with other types of coolant.

Notes

Model/Engine	Start VIN	Market	Coolant Specification	Part Number	Total Coolant Capacities 50% water + 50% coolant Liters (US Quarts)
XJ: 2010 MY onwards					
3.0 liter Diesel	V00001	EUR	WSS M97B44–D	JLM 20972/*	12.3 (13.0) approx.
5.0 liter	V00001	All	WSS M97B44–D	JLM 20972/*	10.5 (11.0) approx.
5.0 liter SC	V00001	All	WSS M97B44–D	JLM 20972/*	13.2 (14.0) approx.

Note: * denotes container quantity when substituted with a number.

Note: Coolant JLM 20972 is of the Organic Acid Technology (OAT) type and must not be mixed with other types of coolant.

Notes

Model/Engine	Start VIN	Market	Coolant Specification	Part Number	Total Coolant Capacities 50% water + 50% coolant Liters (US Quarts)
XK: 1997 up to 1998.75 MY					
4.0 liter	001246	All	DOW D542	JLM 20404/*	9.5 (10.0) approx.
XK: 1998.75 up to 2000 MY					
4.0 liter	From	To			9.5 (10.0) approx.
	024687	042634	All	DOW D542	
4.0 liter SC	042635	042775	All	WSS M97B44-D	JLM 20972/*
	024687	042634	All	DOW D542	JLM 20404/*
4.0 liter SC	042635	042775	All	WSS M97B44-D	JLM 20972/*
	XK: 2000 up to 2003 MY				
4.0 liter	A00016	All	WSS M97B44-D	JLM 20972/*	9.5 (10.0) approx.
4.0 liter SC	A00016	All	WSS M97B44-D	JLM 20972/*	11.5 (12.1) approx.
XK: 2003 up to 2006.5 MY					
4.2 liter	A30645	All	WSS M97B44-D	JLM 20972/*	9.5 (10.0) approx.
4.2 liter SC	A30645	All	WSS M97B44-D	JLM 20972/*	11.5 (12.1) approx.

Note: * denotes container quantity when substituted with a number.

Note: Coolant JLM 20972 is of the Organic Acid Technology (OAT) type and must not be mixed with other types of coolant.

Model/Engine	Start VIN	Market	Coolant Specification	Part Number	Total Coolant Capacities 50% water + 50% coolant Liters (US Quarts)
XK: 2006.5 up to 2010 MY					
4.2 liter	B00379	All	WSS M97B44-D	JLM 20972/*	9.5 (10.0) approx.
4.2 liter SC	B00379	All	WSS M97B44-D	JLM 20972/*	12.35 (13.0) approx.
XK: 2010 MY onwards					
5.0 liter	B32753	All	WSS M97B44-D	JLM 20972/*	9.5 (10.0) approx.
5.0 liter SC	B32753	All	WSS M97B44-D	JLM 20972/*	13.8 (14.6) approx.

Note: * denotes container quantity when substituted with a number.

Note: Coolant JLM 20972 is of the Organic Acid Technology (OAT) type and must not be mixed with other types of coolant.

Notes

Model/Engine	Start VIN	Market	Coolant Specification	Part Number	Total Coolant Capacities 50% water + 50% coolant Liters (US Quarts)
XF: 2008.25 up to 2010 MY					
2.7 liter Diesel – 2 Zone	R00019	EUR	WSS M97B44–D	JLM 20972/*	12.4 (13.1) approx.
3.0 liter – 2 Zone	R00019	All	WSS M97B44–D	JLM 20972/*	9.25 (9.8) approx.
4.2 liter – 2 Zone	R00019	All	WSS M97B44–D	JLM 20972/*	10.1 (10.7) approx.
4.2 liter SC – 2 Zone	R00019	All	WSS M97B44–D	JLM 20972/*	12.5 (13.2) approx.
XF: 2010 MY onwards					
3.0 liter Diesel – 2 Zone	R47154	EUR	WSS M97B44–D	JLM 20972/*	12.53 (13.24) approx.
3.0 liter – 2 Zone	R47154	All	WSS M97B44–D	JLM 20972/*	9.25 (9.8) approx.
4.2 liter – 2 Zone	R47154	NAS	WSS M97B44–D	JLM 20972/*	10.1 (10.7) approx.
5.0 liter – 2 Zone	R47154	All	WSS M97B44–D	JLM 20972/*	12.5 (13.2) approx.
5.0 liter SC – 2 Zone	R47154	All	WSS M97B44–D	JLM 20972/*	12.32 (13.0) approx.

Note: * denotes container quantity when substituted with a number.

Note: Coolant JLM 20972 is of the Organic Acid Technology (OAT) type and must not be mixed with other types of coolant.

Notes

Model/Engine	Start VIN	Market	Coolant Specification	Part Number	Total Coolant Capacities 50% water + 50% coolant Liters (US Quarts)
S-TYPE: 1999.25 up to 2002.5 MY					
3.0 liter	L00600	All	WSS M97B44-D	JLM 20972/*	10.4 (11.0) approx.
4.0 liter	L00600	All	WSS M97B44-D	JLM 20972/*	10.0 (10.6) approx.
S-TYPE: 2002.5 MY onwards					
2.5 liter	M45255	All	WSS M97B44-D	JLM 20972/*	9.4 (9.9) approx.
2.7 liter Diesel	M45255	EUR	WSS M97B44-D	JLM 20972/*	13.5 (14.2) approx.
3.0 liter	M45255	All	WSS M97B44-D	JLM 20972/*	9.4 (9.9) approx.
4.2 liter	M45255	All	WSS M97B44-D	JLM 20972/*	10.1 (10.7) approx.
4.2 liter SC	M45255	All	WSS M97B44-D	JLM 20972/*	13.3 (14.0) approx.

Note: * denotes container quantity when substituted with a number.

Note: Coolant JLM 20972 is of the Organic Acid Technology (OAT) type and must not be mixed with other types of coolant.

Notes

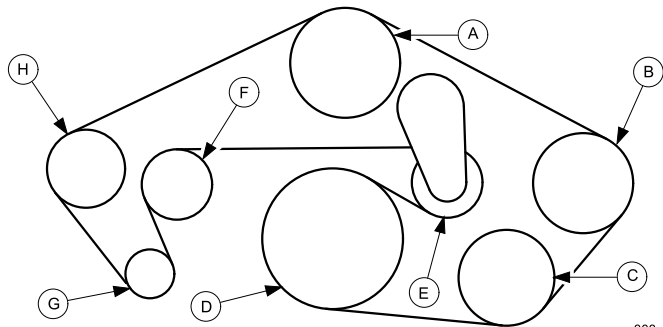
Model/Engine	Start VIN	Market	Coolant Specification	Part Number	Total Coolant Capacities 50% water + 50% coolant Liters (US Quarts)
X-TYPE: 2001 MY onwards					
2.0 liter Gasoline	C00344	All	WSS M97B44-D	JLM 20972/*	10.0 (10.6) approx.
2.0 liter Diesel	C00344	EUR	WSS M97B44-D	JLM 20972/*	10.1 (10.7) approx.
2.2 liter Diesel	C00344	EUR	WSS M97B44-D	JLM 20972/*	10.1 (10.7) approx.
2.5 liter	C00344	All	WSS M97B44-D	JLM 20972/*	10.0 (10.6) approx.
3.0 liter	C00344	All	WSS M97B44-D	JLM 20972/*	10.0 (10.6) approx.

Note: * denotes container quantity when substituted with a number.

Note: Coolant JLM 20972 is of the Organic Acid Technology (OAT) type and must not be mixed with other types of coolant.

Notes

V8 Gasoline 5.0L N/A

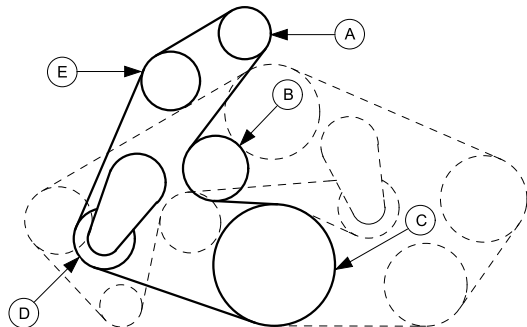


- A. Coolant pump
- B. Power steering pump
- C. Air conditioning compressor
- D. Crankshaft
- E. Tensioner
- F. Idler
- G. Generator
- H. Idler

303_1971

Notes

V8 Gasoline 5.0L SC

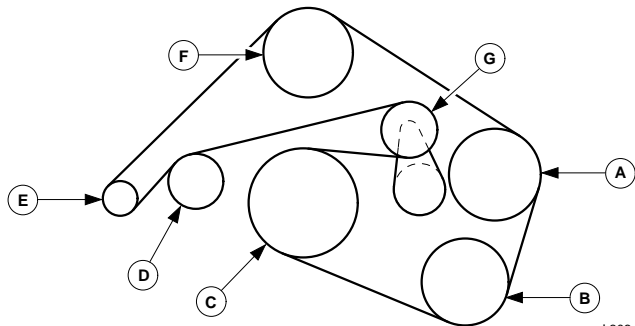


- A. Supercharger
- B. Idler
- C. Crankshaft
- D. Tensioner
- E. Idler

303_1972

Notes

V8 Gasoline 3.2L/3.5L/4.0L/4.2L N/A: (except S-TYPE 4.0L see next page)

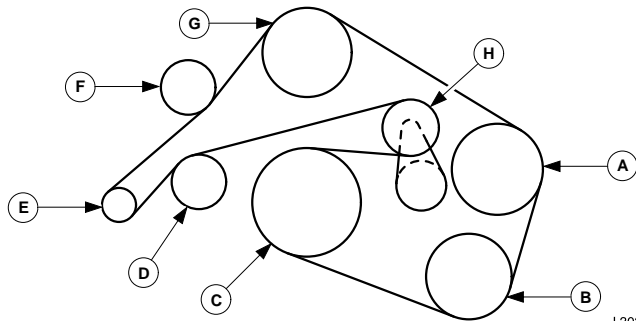


- A. Power steering pump
- B. Air conditioning compressor
- C. Crankshaft
- D. Idler
- E. Generator
- F. Coolant pump
- G. Tensioner

J.303.1565

Notes

V8 Gasoline N/A: (S-TYPE 4.0L only)

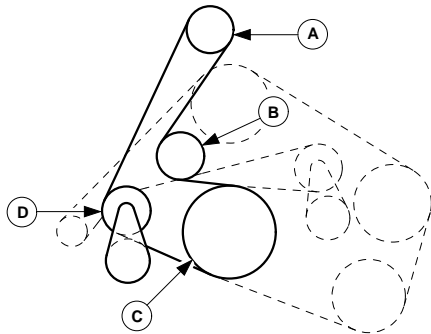


- A. Power steering pump
- B. Air conditioning compressor
- C. Crankshaft
- D. Idler
- E. Generator
- F. Idler
- G. Coolant pump
- H. Tensioner

J.303.1567

Notes

V8 Gasoline 4.0L/4.2L SC

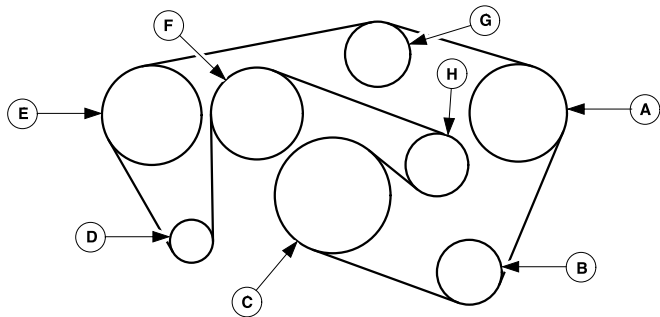


- A. Supercharger
- B. Idler
- C. Crankshaft
- D. Tensioner

J.303.1566

Notes

V6 Gasoline: (except X-TYPE see next page)

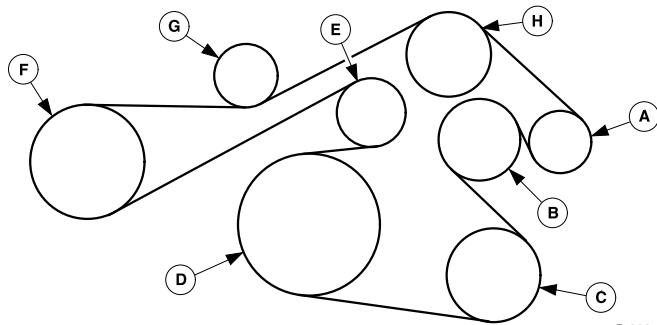


- A. Power steering pump
- B. Air conditioning compressor
- C. Crankshaft
- D. Generator
- E. Idler
- F. Coolant pump
- G. Idler
- H. Tensioner

J.303.1564

Notes

V6 Gasoline: (X-TYPE)

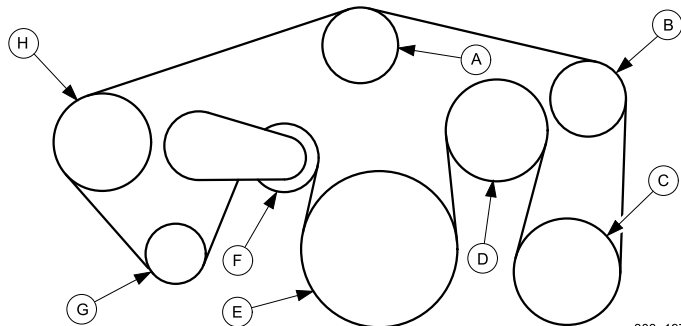


- A. Generator
- B. Idler
- C. Air conditioning compressor
- D. Crankshaft
- E. Tensioner
- F. Power steering pump
- G. Idler
- H. Idler

D.303.1591

Notes

V6 Diesel 3.0L

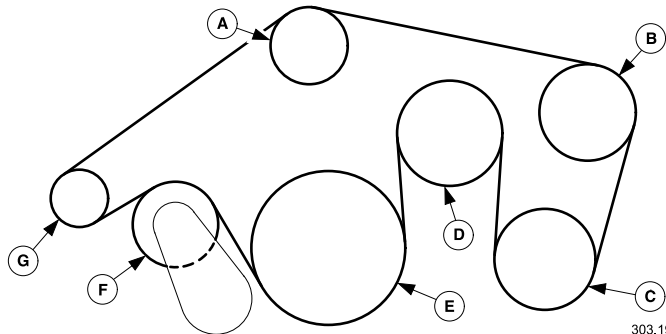


- A. Idler
- B. Idler
- C. Air conditioning compressor
- D. Coolant pump
- E. Crankshaft
- F. Tensioner
- G. Generator
- H. Power steering pump

303_1973

Notes

V6 Diesel 2.7L

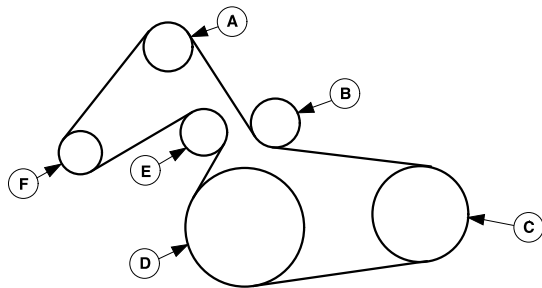


303,1903

- A. Idler
- B. Power steering pump
- C. Air conditioning compressor
- D. Coolant pump
- E. Crankshaft
- F. Tensioner
- G. Generator

Notes

In-line 4-Cylinder Diesel



- A. Idler
- B. Idler
- C. Compressor
- D. Crankshaft
- E. Tensioner
- F. Generator

303.1755

Notes

Start VIN	Engine Type	Engine	Market	Spark Plug Part Number	Spark Plug Gap – mm (inches)
XJ: 1998 MY					
812317	AJ26 V8	3.2 liter	ROW	NCA385OFA 1	1.2 – 1.3 (0.047 – 0.051)
		4.0 liter	NAS	NCA385OHA 1	1.2 – 1.3 (0.047 – 0.051)
			ROW	NCA385OFA 1	
		4.0 liter SC	All	NCA385OHA 2	1.2 – 1.3 (0.047 – 0.051)
All	Leaded	NCA385OCA (service fit only)	1.0 – 1.1 (0.039 – 0.043)		
XJ: 1999 up to 2003 MY					
853936	AJ27 V8	3.2 liter	ROW	AJ8 4575 (iridium)	0.9 – 1.0 (0.035 – 0.039)
		4.0 liter	All	AJ8 4575 (iridium)	0.9 – 1.0 (0.035 – 0.039)
	AJ26.5 V8	4.0 liter SC	All	NCA385OHA 2 up to 2000 MY	1.2 – 1.3 (0.047 – 0.051)
	AJ27 V8			AJ8 4575 (iridium) from 2000 MY	0.9 – 1.0 (0.035 – 0.039)
	All	–	Leaded	XR8 15350 (service fit only) *	1.0 – 1.1 (0.039 – 0.043)

Note: *Not applicable with the introduction of 'iridium' spark plugs.

Notes

Start VIN	Engine Type	Engine	Market	Spark Plug Part Number	Spark Plug Gap – mm (inches)		
XJ: 2003 up to 2010 MY							
G00442	V6	3.0 liter	All	XR8 42795 or	1.32 – 1.42 (0.051 – 0.056)		
				C2S 46895	1.2 – 1.3 (0.047 – 0.051)		
	AJ33 V8	3.5 liter	All	AJ8 4575 (iridium)	0.9 – 1.0 (0.035 – 0.039)		
				4.2 liter	All	AJ8 4575 (iridium)	0.9 – 1.0 (0.035 – 0.039)
				4.2 liter SC	All	AJ8 4575 (iridium)	0.9 – 1.0 (0.035 – 0.039)
XJ: 2010 MY onwards							
V00001	AJ133 V8	5.0 liter	All	AJ8 12146 (iridium)	0.9 – 1.0 (0.035 – 0.039)		
		5.0 liter SC					

Notes

Start VIN	Engine Type	Engine	Market	Spark Plug Part Number	Spark Plug Gap – mm (inches)
XK: 1997 up to 1998 MY					
001246	AJ26 V8	4.0 liter	NAS	NCA385OHA 1	1.2 – 1.3 (0.047 – 0.051)
			ROW	NCA385ODA 2	1.0 – 1.1 (0.039 – 0.043)
			Leaded	NCA385OCA (service fit only)	
XK: 1998 and 1999 MY					
018108	AJ26 V8	4.0 liter	NAS	NCA385OHA 1 up to 1999 MY	1.2 – 1.3 (0.047 – 0.051)
	AJ27 V8			AJ8 4575 (iridium) from 1999 MY	0.9 – 1.0 (0.035 – 0.039)
	AJ26 V8		ROW	NCA385OFA 1 up to 1999 MY	1.2 – 1.3 (0.047 – 0.051)
	AJ27 V8			AJ8 4575 (iridium) from 1999 MY	0.9 – 1.0 (0.035 – 0.039)
	AJ26 V8 and AJ26.5 V8	4.0 liter SC **	All	NCA385OHA 2	1.2 – 1.3 (0.047 – 0.051)
	All	–	Leaded	NCA385OCA (service fit only)	1.0 – 1.1 (0.039 – 0.043)
XK: 2000 up to 2003 MY					
A00016	AJ27 V8	4.0 liter	All	AJ8 4575 (iridium)	0.9 – 1.0 (0.035 – 0.039)
		4.0 liter SC		AJ8 4575 (iridium)	0.9 – 1.0 (0.035 – 0.039)
		All	Leaded	XR8 15350 (service fit only) *	1.0 – 1.1 (0.039 – 0.043)

Note: *Not applicable with the introduction of 'iridium' spark plugs.

Note: ** SC engine introduced at VIN 024687.

Start VIN	Engine Type	Engine	Market	Spark Plug Part Number	Spark Plug Gap – mm (inches)
XK: 2003 up to 2006.5 MY					
A30645	AJ33 V8	4.2 liter	All	AJ8 4575 (iridium)	0.9 – 1.0 (0.035 – 0.039)
		4.2 liter SC			
XK: 2006.5 up to 2010 MY					
B00379	AJ40 V8	4.2 liter	All	AJ8 4575 (iridium)	0.9 – 1.0 (0.035 – 0.039)
		4.2 liter SC			
XK: 2010 MY onwards					
B32753	AJ133 V8	5.0 liter	All	AJ8 12146 (iridium)	0.9 – 1.0 (0.035 – 0.039)
		5.0 liter SC			

Notes

Start VIN	Engine Type	Engine	Market	Spark Plug Part Number	Spark Plug Gap – mm (inches)
XF: 2008.25 up to 2010 MY					
R00019	V6	3.0 liter	All	XR8 42795 or	1.32 – 1.42 (0.051 – 0.056)
				C2S 46895	1.2 – 1.3 (0.047 – 0.051)
	AJ33 V8	4.2 liter	All	AJ8 4575 (iridium)	0.9 – 1.0 (0.035 – 0.039)
		4.2 liter SC			
XF: 2010 MY onwards					
R47154	V6	3.0 liter	ROW	XR8 42795 or	1.32 – 1.42 (0.051 – 0.056)
				C2S 46895	1.2 – 1.3 (0.047 – 0.051)
	AJ33 V8	4.2 liter	NAS	AJ8 4575 (iridium)	0.9 – 1.0 (0.035 – 0.039)
	AJ133 V8	5.0 liter	All	AJ8 12146 (iridium)	0.9 – 1.0 (0.035 – 0.039)
5.0 liter SC					

Notes

Start VIN	Engine Type	Engine	Market	Spark Plug Part Number	Spark Plug Gap – mm (inches)
S-TYPE: 1999.25 up to 2002.5 MY					
L00600	V6	3.0 liter	All	XR8 42795 or	1.32 – 1.42 (0.051 – 0.056)
				C2S 46895	1.2 – 1.3 (0.047 – 0.051)
			Leaded	XR8 15349 (service fit only) or	1.0 – 1.1 (0.039 – 0.043)
				C2S 46895	1.2 – 1.3 (0.047 – 0.051)
	AJ28 V8	4.0 liter	All	AJ8 4575 (iridium)	0.9 – 1.0 (0.035 – 0.039)
			Leaded	XR8 15350 (service fit only) *	1.0 – 1.1 (0.039 – 0.043)
S-TYPE: 2002.5 MY onwards					
M45255	V6	2.5 liter	All	XR8 42795 or	1.32 – 1.42 (0.051 – 0.056)
		3.0 liter		C2S 46895	1.2 – 1.3 (0.047 – 0.051)
	AJ33 V8	4.2 liter	All	AJ8 4575 (iridium)	0.9 – 1.0 (0.035 – 0.039)
		4.2 liter SC			

Note: * Not applicable with the introduction of 'iridium' spark plugs.

Notes

Start VIN	Engine Type	Engine	Market	Spark Plug Part Number	Spark Plug Gap – mm (inches)
X-TYPE: 2001 MY onwards					
C00344	V6	2.0 liter	All	XR8 42795 or	1.32 – 1.42 (0.051 – 0.056)
		2.5 liter			
		3.0 liter		C2S 46895	1.2 – 1.3 (0.047 – 0.051)

Notes

Notes

Cylinder Head (not including 5.0L)

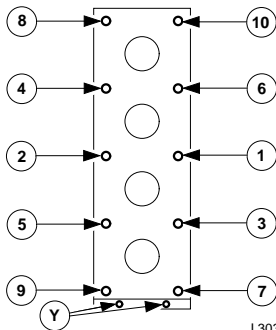
Tightening Torques in Nm / lbf.ft and Degrees of Rotation.

Tighten each bank in sequence shown.

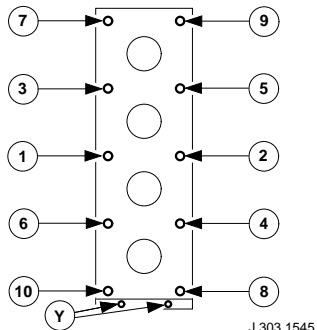
Use new bolts.

1	Tighten 1 to 10: to 20 Nm / 15 lbf.ft	4	Tighten 1 to 10: 90 degrees
2	Tighten 1 to 10: to 35 Nm / 26 lbf.ft	5	Tighten 'Y': to 23 Nm / 17 lbf.ft
3	Tighten 1 to 10: 90 degrees		

Bank 1



Bank 2



front of engine

Cylinder Head (5.0L only)

Notes

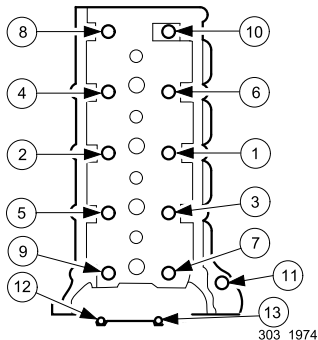
Tightening Torques in Nm / lbf.ft and Degrees of Rotation.

Tighten each bank in sequence shown.

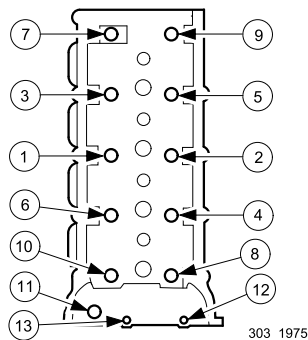
Use new bolts.

1	Tighten 1 to 10: to 20 Nm / 15 lbf.ft	4	Tighten 1 to 10: 90 degrees
2	Tighten 1 to 10: to 35 Nm / 26 lbf.ft	5	Tighten 11: to 25 Nm / 18 lbf.ft
3	Tighten 1 to 10: 90 degrees	6	Tighten 12 and 13: to 12 Nm / 9 lbf.ft

Bank 1



Bank 2

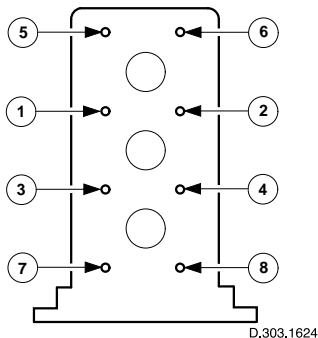


front of engine

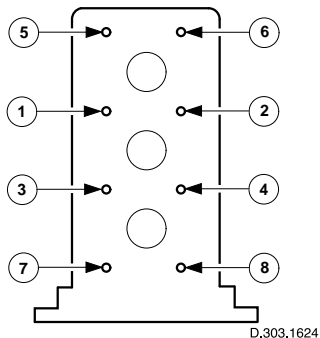
Notes

Cylinder Head			
Tightening Torques in Nm / lbf.ft and Degrees of Rotation		Use new bolts and washers.	
Tighten each bank in sequence shown.			
1	Tighten 1 to 8: to 30 Nm / 22 lbf.ft	4	Tighten 1 to 8: to 30 Nm / 22 lbf.ft
2	Tighten 1 to 8: 90 degrees	5	Tighten 1 to 8: 90 degrees
3	Loosen 1 to 8: one full turn – 360 degrees	6	Tighten 1 to 8: an additional 90 degrees

Bank 1



Bank 2



front of engine

Notes

Cylinder Head

Tightening Torques in Nm / lbf.ft and Degrees of Rotation.

Use new bolts.

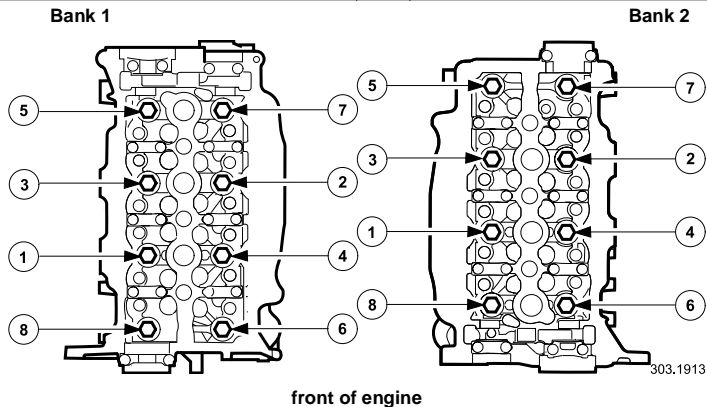
Tighten each bank in sequence shown.

1. Tighten 1 to 8: to 20 Nm / 14 lbf.ft

3. Tighten 1 to 8: to 80 Nm / 59 lbf.ft

2. Tighten 1 to 8: to 40 Nm / 29 lbf.ft

4. Tighten 1 to 8: 180 degrees

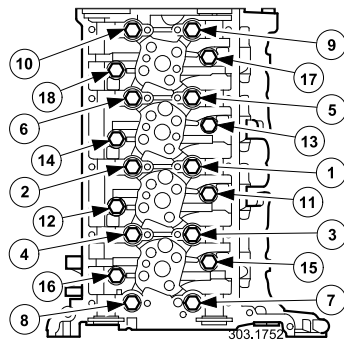


Cylinder Head

Tightening Torques in Nm and Degrees of Rotation

Use new bolts.

1	Tighten 1 to 10: to 20 Nm / 15 lbf.ft
2	Tighten 11 to 18: to 10 Nm / 7 lbf.ft
3	Tighten 1 to 10: to 40 Nm / 30 lbf.ft
4	Tighten 11 to 18: to 20 Nm / 15 lbf.ft
5	Tighten 1 to 10: to 180 degrees
6	Tighten 11 to 18: to 80 degrees

Notes

front of engine

Start VIN	Engine	Market	Final Drive Ratio	Notes
XJ: 1998 up to 2003 MY				
812317	3.2 liter automatic – Gasoline	ROW	3.27 : 1	
	4.0 liter automatic – Gasoline	NAS	3.06 : 1	
		ROW		
		Mexico	3.27 : 1	
	4.0 liter SC automatic – Gasoline	NAS	3.06 : 1	
		ROW		
XJ: 2003 up to 2010 MY				
G00442	2.7 liter automatic – Diesel	ROW	3.07 : 1	
	3.0 liter automatic – Gasoline	NAS	3.31 : 1	
		ROW		
	3.5 liter automatic – Gasoline	NAS	3.07 : 1	
		ROW		
	4.0 liter automatic – Gasoline	NAS	2.87 : 1	
		ROW		
	4.0 liter SC automatic – Gasoline	NAS	2.87 : 1	
		ROW		

Start VIN	Engine	Market	Final Drive Ratio	Notes
XJ: 2010 MY onwards				
V00001	3.0 liter automatic – Diesel	EUR	2.73 : 1	
	5.0 liter automatic – Gasoline	NAS	3.31 : 1	
		ROW		
	5.0 liter SC automatic – Gasoline	NAS	3.31 : 1	
ROW				

Start VIN	Engine	Market	Final Drive Ratio	Notes
XK: 1997 up to 2003 MY				
001246	4.0 liter automatic – Gasoline	NAS	3.06 : 1	
		ROW		
		Mexico	3.27 : 1	
	4.0 liter SC automatic – Gasoline	NAS	3.06 : 1	
ROW				
XK: 2003 up to 2006.5 MY				
A30645	4.2 liter automatic – Gasoline	NAS	3.06 : 1	
		ROW		
	4.2 liter SC automatic – Gasoline	NAS	3.06 : 1	
		ROW		

Start VIN	Engine	Market	Final Drive Ratio	Notes
XK: 2006.5 up to 2010 MY				
B00379	4.2 liter automatic – Gasoline	NAS	3.31 : 1	
		ROW		
	4.2 liter automatic – SC Gasoline	NAS	3.31 : 1	
		ROW		
XK: 2010 MY onwards				
B32753	5.0 liter automatic – Gasoline	NAS	3.31 : 1	
		ROW		
	5.0 liter automatic – SC Gasoline	NAS	3.31 : 1	
		ROW		

Start VIN	Engine	Market	Final Drive Ratio	Notes
XF: 2008.25 up to 2010 MY				
R00019	2.7 liter automatic – Diesel	EUR	3.07 : 1	
	3.0 liter automatic – Gasoline	NAS	3.31 : 1	
		ROW		
	4.2 liter automatic – Gasoline	NAS	3.31 : 1	
		ROW		
	4.2 liter SC automatic – Gasoline	NAS	3.07 : 1	
		ROW		
	XF: 2010 MY onwards			
R47154	3.0 liter automatic – Diesel	EUR	2.73 : 1	
	3.0 liter automatic – Gasoline	EUR	3.31 : 1	
	4.2 liter automatic – Gasoline	NAS	3.31 : 1	
	5.0 liter automatic – Gasoline	NAS	3.31 : 1	
		ROW		
	5.0 liter SC automatic – Gasoline	NAS	3.31 : 1	
		ROW		

Start VIN	Engine	Market	Final Drive Ratio	Notes
S-TYPE: 1999.25 MY				
L00600	3.0 liter manual – Gasoline	NAS	3.07 : 1	
		ROW		
	3.0 liter automatic – Gasoline	NAS	3.31 : 1	
		ROW		
	4.0 liter automatic – Gasoline	NAS	3.31 : 1	
		ROW		
S-TYPE: 2000 up to 2002.5 MY				
L31321	3.0 liter manual – Gasoline	NAS	3.07 : 1	
		ROW		
	3.0 liter automatic – Gasoline	NAS	3.31 : 1	
		ROW		
		Mexico	3.58 : 1	
	4.0 liter automatic – Gasoline	NAS	3.31 : 1	
		ROW		

Start VIN	Engine	Market	Final Drive Ratio	Notes
S-TYPE: 2002.5 MY onwards				
M45255	2.5 liter manual – Gasoline	NAS	3.07 : 1	
		ROW		
	2.5 liter automatic – Gasoline	NAS	3.31 : 1	
		ROW		
	2.7 liter manual – Diesel	EUR	2.69 : 1	
	2.7 liter automatic – Diesel	EUR	3.07 : 1	
	3.0 liter manual – Gasoline	NAS	3.07 : 1	
		ROW		
	3.0 liter automatic – Gasoline	NAS	3.31 : 1	
		ROW		
	4.2 liter automatic – Gasoline	NAS	2.87 : 1	
		ROW		
	4.2 liter SC automatic – Gasoline	NAS	2.87 : 1	
		ROW		

Start VIN	Engine	Market	Final Drive Ratio	Notes
X-TYPE: 2001 MY onwards				
C00344	2.5 liter automatic and manual – Gasoline	NAS	2.53 : 1	
		ROW		
	3.0 liter automatic and manual – Gasoline	NAS	2.53 : 1	
		ROW		

Start VIN	Engine	Transmission			Differential		
		Lubricant	Part No	Capacity Liters (US Quarts)	Lubricant	Part No	Capacity Liters (US Quarts)
XJ: 1998 up to 2003 MY							
812317	3.2 liter Auto	Esso LT 71141	JLM 20237	10.0 (10.6)	Shell Spirax Super TS90	JLM 20255	1.9 (2.0)
	4.0 liter Auto	Esso LT 71141	JLM 20237	10.0 (10.6)	Shell Spirax Super TS90	JLM 20255	1.9 (2.0)
	4.0 liter SC Auto	Shell ATF 3403 M115	JLM 20292	9.5 (10.0)	Shell Spirax Super TS90	JLM 20255	1.9 (2.0)
XJ: 2003 up to 2009 MY							
G00442	2.7 liter Diesel Auto	Shell M1375.4	C2C 8432	8.52 (9.0)	M2C 192A Synthetic	JLM 20771	1.25 (1.32)
	3.0 liter Auto	Shell M1375.4	C2C 8432	9.47 (10.0)	M2C 192A Synthetic	JLM 20771	1.25 (1.32)
	3.5 liter Auto	Shell M1375.4	C2C 8432	9.47 (10.0)	M2C 192A Synthetic	JLM 20771	1.25 (1.32)
	4.2 liter Auto	Shell M1375.4	C2C 8432	9.47 (10.0)	M2C 192A Synthetic	JLM 20771	1.25 (1.32)
	4.2 liter SC Auto	Shell M1375.4	C2C 8432	9.92 (10.5)	M2C 192A Synthetic	JLM 20771	1.25 (1.32)

Note: Capacity figures quoted are maximum fill.

Notes

Start VIN	Engine	Transmission			Differential		
		Lubricant	Part No	Capacity Liters (US Quarts)	Lubricant	Part No	Capacity Liters (US Quarts)
XJ: 2009 up to 2010 MY							
H29531	2.7 liter Diesel Auto	Shell M1375.4	C2C 8432	8.52 (9.0)	M2C 192A Synthetic	JLM 20771	1.25 (1.32)
	3.0 liter Auto	Shell M1375.4	C2C 8432	9.47 (10.0)	M2C 192A Synthetic	JLM 20771	1.25 (1.32)
	3.5 liter Auto	Shell M1375.4	C2C 8432	9.47 (10.0)	M2C 192A Synthetic	JLM 20771	1.25 (1.32)
	4.2 liter Auto	Shell M1375.4	C2C 8432	9.47 (10.0)	M2C 192A Synthetic	JLM 20771	1.25 (1.32)
	4.2 liter SC Auto	Shell M1375.4	C2C 8432	9.92 (10.5)	M2C 192A Synthetic	JLM 20771	1.25 (1.32)
VIN Introduction of new differential							
H31471*	2.7 liter Diesel Auto	Shell M1375.4	C2C 8432	8.52 (9.0)	Castrol SAF-XO 75W-90	C2D 3653	0.90 (0.95)
	3.0 liter Auto	Shell M1375.4	C2C 8432	9.47 (10.0)	Castrol SAF-XO 75W-90	C2D 3653	0.90 (0.95)
	3.5 liter Auto	Shell M1375.4	C2C 8432	9.47 (10.0)	Castrol SAF-XO 75W-90	C2D 3653	0.90 (0.95)
	4.2 liter Auto	Shell M1375.4	C2C 8432	9.47 (10.0)	Castrol SAF-XO 75W-90	C2D 3653	0.90 (0.95)
	4.2 liter SC Auto	Shell M1375.4	C2C 8432	9.92 (10.5)	Castrol SAF-XO 75W-90	C2D 3653	0.90 (0.95)

Note: * new differential also fitted to VIN: H30324, H30348, H30351, H30355, H30358, H30359, H30363, H30364, H30368 to H30371.

Note: Capacity figures quoted are maximum fill.

Notes

Start VIN	Engine	Transmission			Differential		
		Lubricant	Part No	Capacity Liters (US Quarts)	Lubricant	Part No	Capacity Liters (US Quarts)
XJ: 2010 MY onwards							
V00001	3.0 liter Diesel Auto	Shell M1375.4	C2C 8432	10.06 (10.6)	Castrol SAF-XO 75W-90	C2D 3653	0.90 (0.95)
	5.0 liter Auto	Shell M1375.4	C2C 8432	10.13 (10.7)	Castrol SAF-XO 75W-90	C2D 3653	0.90 (0.95)
	5.0 liter SC Auto	Shell M1375.4	C2C 8432	10.13 (10.7)	Castrol BOT 720 75W-90	C2D 3650	1.3 (1.37)

Note: Capacity figures quoted are maximum fill.

Notes

Start VIN	Engine	Transmission			Differential		
		Lubricant	Part No	Capacity Liters (US Quarts)	Lubricant	Part No	Capacity Liters (US Quarts)
XK: 1997 up to 1998.75 MY							
001246	4.0 liter Auto	Esso LT 71141	JLM 20237	10.0 (10.6)	Shell Spirax Super TS90	JLM 20255	1.9 (2.0)
XK: 1998.75 up to 2003 MY							
024687	4.0 liter Auto	Esso LT 71141	JLM 20237	10.0 (10.6)	Shell Spirax Super TS90	JLM 20255	1.9 (2.0)
	4.0 liter SC Auto	Shell ATF 3403 M115	JLM 20292	9.5 (10.0)	Shell Spirax Super TS90	JLM 20255	1.9 (2.0)
XK: 2003 up to 2006.5 MY							
A30645	4.2 liter Auto	Shell M1375.4	C2C 8432	9.47 (10.0)	Shell Spirax Super TS90	JLM 20255	1.9 (2.0)
	4.2 liter SC Auto	Shell M1375.4	C2C 8432	9.92 (10.5)	Shell Spirax Super TS90	JLM 20255	1.9 (2.0)
XK: 2006.5 up to 2010 MY							
B00379	4.2 liter Auto	Shell M1375.4	C2C 8432	9.47 (10.0)	M2C 192A Synthetic	JLM 20771	1.25 (1.32)
	4.2 liter SC Auto	Shell M1375.4	C2C 8432	9.47 (10.0)	M2C 192A Synthetic	JLM 20771	1.25 (1.32)
XK: 2010 MY onwards							
B32753	5.0 liter Auto	Shell M1375.4	C2C 8432	10.13 (10.7)	Castrol SAF-XO 75W-90	C2D 3653	0.90 (0.95)
	5.0 liter SC Auto	Shell M1375.4	C2C 8432	10.13 (10.7)	Castrol BOT 720 75W-90	C2D 3650	1.3 (1.37)

Note: Capacity figures quoted are maximum fill.

Start VIN	Engine	Transmission			Differential		
		Lubricant	Part No	Capacity Liters (US Quarts)	Lubricant	Part No	Capacity Liters (US Quarts)
XF: 2008.25 up to 2010 MY							
R00019	2.7 liter Diesel Auto	Shell M1375.4	C2C 8432	8.52 (9.0)	M2C 192A Synthetic	JLM 20771	1.25 (1.32)
	3.0 liter Auto	Shell M1375.4	C2C 8432	9.47 (10.0)	M2C 192A Synthetic	JLM 20771	1.25 (1.32)
	4.2 liter Auto	Shell M1375.4	C2C 8432	9.47 (10.0)	M2C 192A Synthetic	JLM 20771	1.25 (1.32)
	4.2 liter SC Auto	Shell M1375.4	C2C 8432	9.92 (10.5)	M2C 192A Synthetic	JLM 20771	1.25 (1.32)
VIN Introduction of new differential							
R41866*	2.7 liter Diesel Auto	Shell M1375.4	C2C 8432	8.52 (9.0)	Castrol SAF-XO 75W-90	C2D 3653	0.90 (0.95)
	3.0 liter Auto	Shell M1375.4	C2C 8432	9.47 (10.0)	Castrol SAF-XO 75W-90	C2D 3653	0.90 (0.95)
	4.2 liter Auto	Shell M1375.4	C2C 8432	9.47 (10.0)	Castrol SAF-XO 75W-90	C2D 3653	0.90 (0.95)
	4.2 liter SC Auto	Shell M1375.4	C2C 8432	9.92 (10.5)	Castrol SAF-XO 75W-90	C2D 3653	0.90 (0.95)

Note: * new differential also fitted to VIN: R32255, R32809 to R32814, R32823, R32848 to R32851.

Note: Capacity figures quoted are maximum fill.

Notes

Start VIN	Engine	Transmission			Differential		
		Lubricant	Part No	Capacity Liters (US Quarts)	Lubricant	Part No	Capacity Liters (US Quarts)
XF: 2010 MY onwards							
R47154	3.0 liter Diesel Auto	Shell M1375.4	C2C 8432	10.06 (10.6)	Castrol SAF-XO 75W-90	C2D 3653	0.90 (0.95)
	3.0 liter Auto	Shell M1375.4	C2C 8432	9.47 (10.0)	Castrol SAF-XO 75W-90	C2D 3653	0.90 (0.95)
	4.2 liter Auto	Shell M1375.4	C2C 8432	9.47 (10.0)	Castrol SAF-XO 75W-90	C2D 3653	0.90 (0.95)
	5.0 liter Auto	Shell M1375.4	C2C 8432	10.13 (10.7)	Castrol SAF-XO 75W-90	C2D 3653	0.90 (0.95)
	5.0 liter SC Auto	Shell M1375.4	C2C 8432	10.13 (10.7)	Castrol BOT 720 75W-90	C2D 3650	1.3 (1.37)

Note: Capacity figures quoted are maximum fill.

Notes

Start VIN	Engine	Transmission			Differential		
		Lubricant	Part No	Capacity Liters (US Quarts)	Lubricant	Part No	Capacity Liters (US Quarts)
S-TYPE: 1999.25 up to 2002.5 MY							
L00600	3.0 liter Man	Esso D21065	JLM 20937	1.1 (1.2)	M2C 192A Synthetic	JLM 20771	1.5 (1.6)
	3.0 liter Auto	MERCON™ V XT-5-QM	JLM 21044	9.0 (9.5)	M2C 192A Synthetic	JLM 20771	1.5 (1.6)
	4.0 liter Auto	MERCON™ V XT-5-QM	JLM 21044	9.0 (9.5)	M2C 192A Synthetic	JLM 20771	1.5 (1.6)
S-TYPE: 2002.5 MY onwards							
M45255	2.5 liter Man	Esso LT 71141	JLM 20237	1.1 (1.2)	M2C 192A Synthetic	JLM 20771	1.25 (1.32)
	2.5 liter Auto	Shell M1375.4	C2C 8432	9.47 (10.0)	M2C 192A Synthetic	JLM 20771	1.25 (1.32)
	2.7 liter Diesel Man	Burmah Castrol BOT 338	XR8 50056 XR8 50057	1.6 (1.7)	M2C 192A Synthetic	JLM 20771	1.25 (1.32)
	2.7 liter Diesel Auto	Shell M1375.4	C2C 8432	8.52 (9.0)	M2C 192A Synthetic	JLM 20771	1.25 (1.32)
	3.0 liter Man	Esso LT 71141	JLM 20237	1.1 (1.2)	M2C 192A Synthetic	JLM 20771	1.25 (1.32)
	3.0 liter Auto	Shell M1375.4	C2C 8432	9.47 (10.0)	M2C 192A Synthetic	JLM 20771	1.25 (1.32)
	4.2 liter Auto	Shell M1375.4	C2C 8432	9.47 (10.0)	M2C 192A Synthetic	JLM 20771	1.25 (1.32)
	4.2 liter SC Auto	Shell M1375.4	C2C 8432	9.92 (10.5)	M2C 192A Synthetic	JLM 20771	1.25 (1.32)

Note: Capacity figures quoted are maximum fill.

Start VIN	Engine	Transmission			Differential		
		Lubricant	Part No	Capacity Liters (US Quarts)	Lubricant	Part No	Capacity Liters (US Quarts)
X-TYPE: 2001 MY onwards							
C00344	2.0 liter Gasoline Man	Castrol BOT 130M	C2S 19889	1.9 (2.0)	–	–	–
	2.0 liter Gasoline Auto	ATF IDEMITSU K17 (Jatco 3100 PL085)	C2S 12120	8.8 (9.3)	–	–	–
	2.0 liter Diesel Man	Castrol BOT 130M	C2S 19889	1.9 (2.0)	–	–	–
	2.2 liter Diesel Man	Castrol BOT 130M	C2S 19889	1.75 (1.8)	–	–	–
	2.2 liter Diesel Auto	Exxon Mobil JWS 3309	C2S 51628	6.6 (7.0)	–	–	–
	2.5 liter Man	Castrol BOT 130M	C2S 19889	1.75 (1.8)	M2C 192A Synthetic	JLM 20771	1.15 (1.2)
	2.5 liter Auto	ATF IDEMITSU K17 (Jatco 3100 PL085)	C2S 12120	8.8 (9.3)	M2C 192A Synthetic	JLM 20771	1.15 (1.2)
	3.0 liter Man	Castrol BOT 130M	C2S 19889	1.75 (1.8)	M2C 192A Synthetic	JLM 20771	1.15 (1.2)
	3.0 liter Auto	ATF IDEMITSU K17 (Jatco 3100 PL085)	C2S 12120	8.8 (9.3)	M2C 192A Synthetic	JLM 20771	1.15 (1.2)
	Transfer Case						
	2.5 and 3.0 liter	M2C 192A Synthetic	JLM 20771	0.5 (0.5)			

Note: Capacity figures quoted are maximum fill.

Start VIN	Engine/Zone	Market	Refrigerant	Refrigerant Charge Weight	Compressor Lubricant Part Number	Compressor Lubricant Capacity
XJ: 1998 up to 2003 MY						
812317		All	R134a	675g ± 25g	JLM 12260	160 – 200 ml
XJ: 2003 up to 2010 MY						
G00442	2 Zone Diesel	EUR	R134a	650g ± 25g	JLM 12260	120 ml
	2 Zone Gasoline	All	R134a	650g ± 25g	JLM 12260	140 ml
	4 Zone Gasoline	All	R134a	800g ± 25g	JLM 12260	180 ml
XJ: 2010 MY onwards						
V00001	3.0 liter Diesel	EUR	R134a	700g ± 25g	JLM 12260	110 ml
	5.0 liter	All	R134a	700g ± 25g	JLM 12260	110 ml
	5.0 liter SC	All	R134a	700g ± 25g	JLM 12260	110 ml

Notes

Start VIN	Engine/Zone	Market	Refrigerant	Refrigerant Charge Weight	Compressor Lubricant Part Number	Compressor Lubricant Capacity
XK: 1997 up to 2006.5 MY						
001246	Gasoline	All	R134a	650g ± 50g	JLM 12260	160 – 200 ml
XK: 2006.5 up to 2010 MY						
B00379	Gasoline	All	R134a	700g ± 25g	JLM 12260	130 ml
XK: 2010 MY onwards						
B32753	Gasoline	All	R134a	700g ± 25g	JLM 12260	110 ml

Notes

Start VIN	Engine/Zone	Market	Refrigerant	Refrigerant Charge Weight	Compressor Lubricant Part Number	Compressor Lubricant Capacity
XF: 2008.25 up to 2010 MY						
R00019	Gasoline	All	R134a	750g ± 25g	JLM 12260	130 ml
	Diesel	EUR	R134a	750g ± 25g	JLM 12260	130 ml
XF: 2010 MY onwards						
R47154	4.2L / 3.0L Gasoline	NAS / EUR	R134a	750g ± 25g	JLM 12260	130 ml
	5.0L Gasoline	All	R134a	750g ± 25g	JLM 12260	110 ml
	3.0L Diesel	EUR	R134a	750g ± 25g	JLM 12260	110 ml

Notes

Start VIN	Engine/Zone	Market	Refrigerant	Refrigerant Charge Weight	Compressor Lubricant Part Number	Compressor Lubricant Capacity
S-TYPE: 1999.25 up to 2002.5 MY						
L00600			R134a	800g ± 25g	XR8 3680	207 ml
S-TYPE: 2002.5 MY onwards						
M45255	Gasoline	All	R134a	750g ± 25g	XR8 3680	207 ml
	Diesel	EUR	R134a	700g ± 50g	XR8 3680	207 ml
X-TYPE: 2001 MY onwards						
C00344	Gasoline: see below also	All	R134a	810g ± 15g	XR8 3680	220 ml
	Gasoline: VIN E88032 onwards	All	R134a	575g ± 25g		
	Diesel	EUR	R134a	735g ± 25g	XR8 3680	200 ml

Notes

The illustrations, technical information, data and descriptive text in this issue, to the best of our knowledge, were correct at the time of going to print.

No part of this publication may be copied, reproduced, stored in a data processing system, nor transmitted by electronic, mechanical, photographic or any other means. The storage or translation of this publication and the editing, in summary or expanded form is not permitted except with prior written permission of Jaguar Cars Ltd. The same conditions apply to parts of this publication and their use in other publications.

No liability can be accepted for any inaccuracies or omissions in this publication, although every possible care has been taken to make it as complete and accurate as possible.