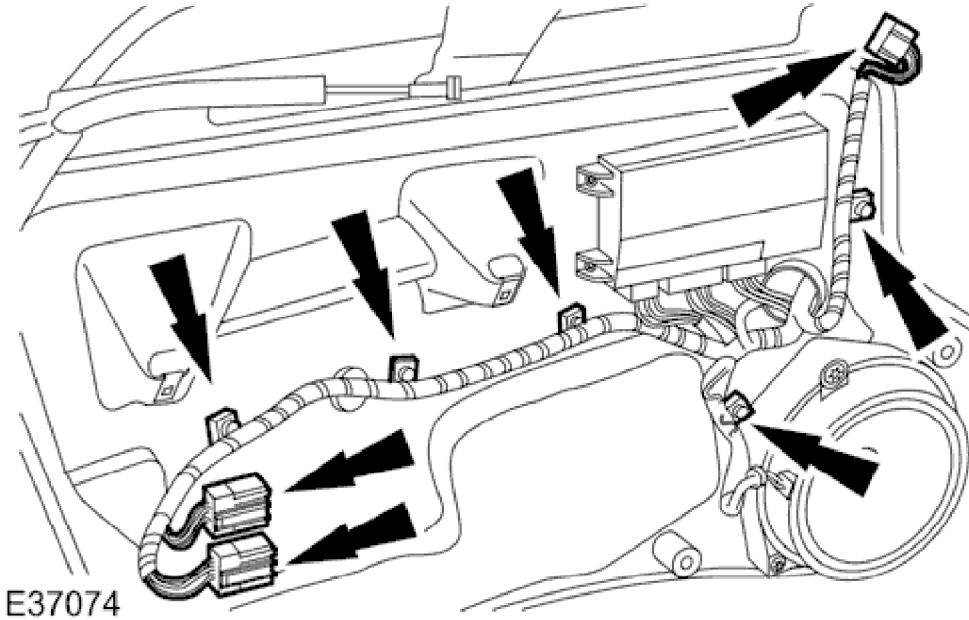


Exterior Door Handle 76.58.07

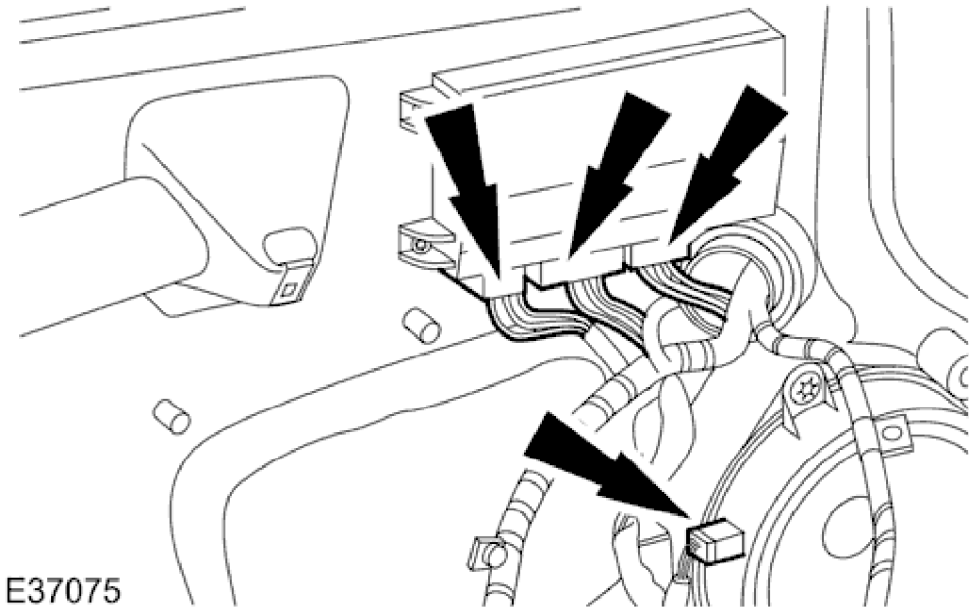
Removal

- 1. Remove the interior front door trim panel. <<501-05>>



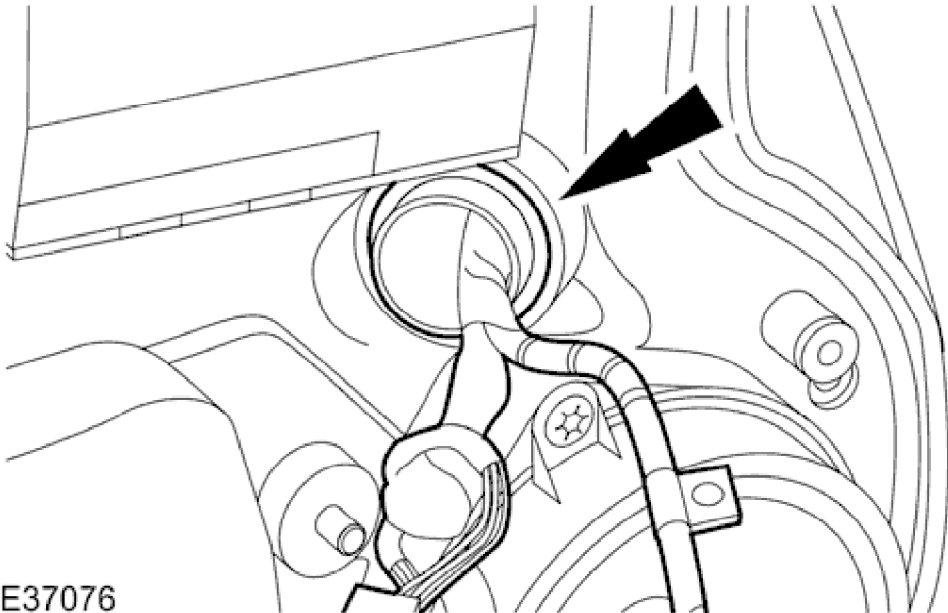
E37074

- 2. Detach the door wiring harness.



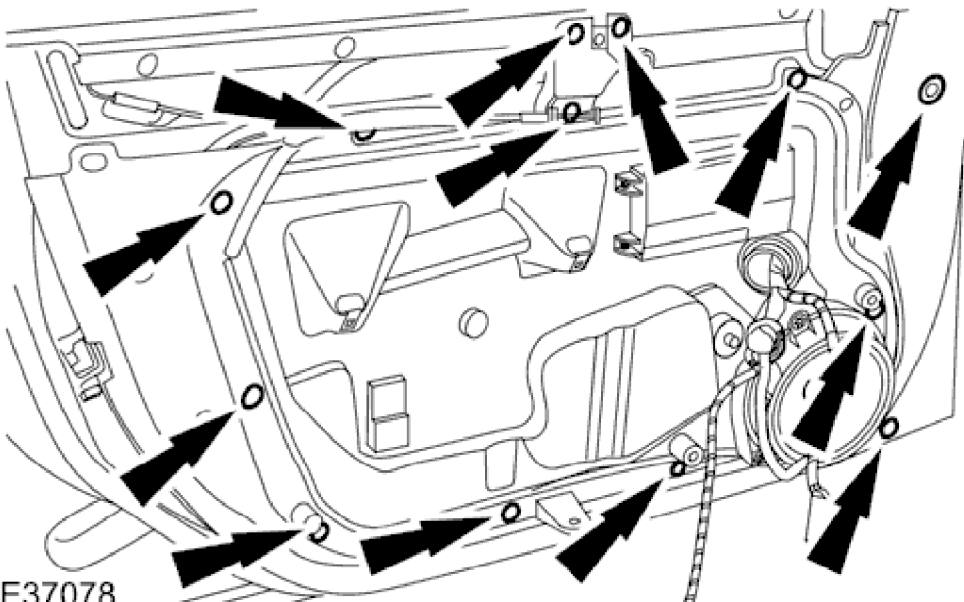
E37075

- 3. Disconnect the electrical connectors.



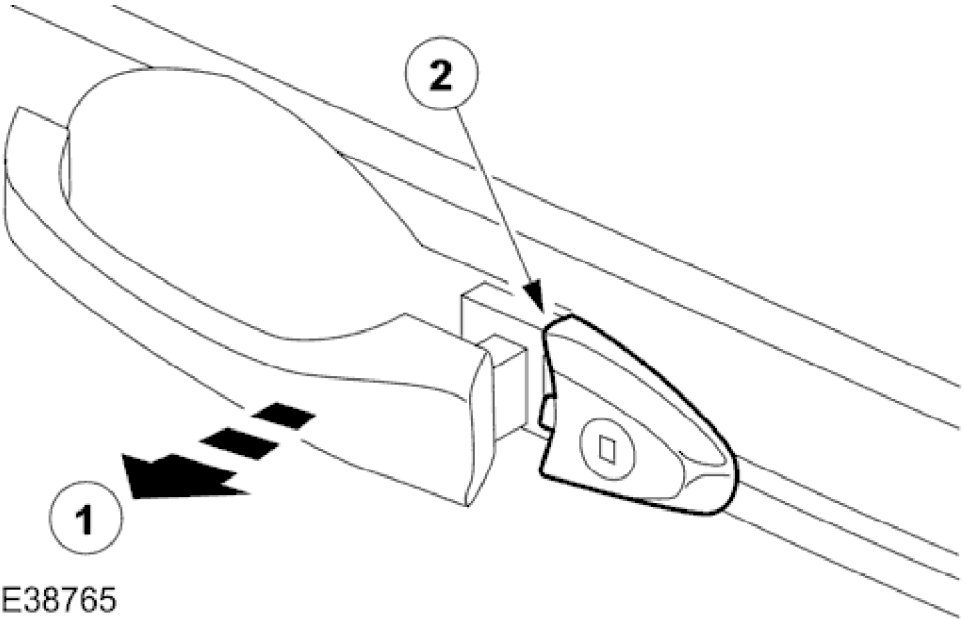
E37076

4. Detach the door wiring harness grommet.



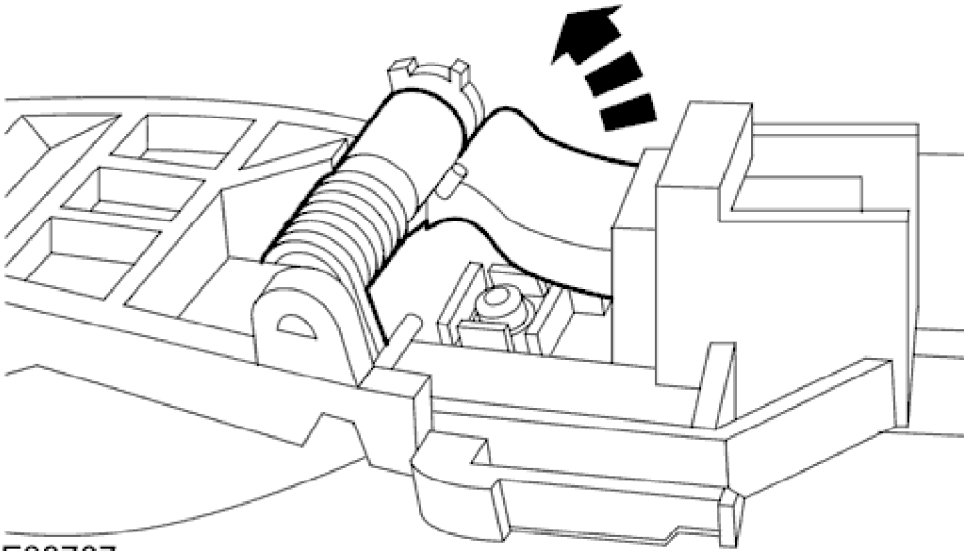
E37078

5. Remove the door inner weathershield.



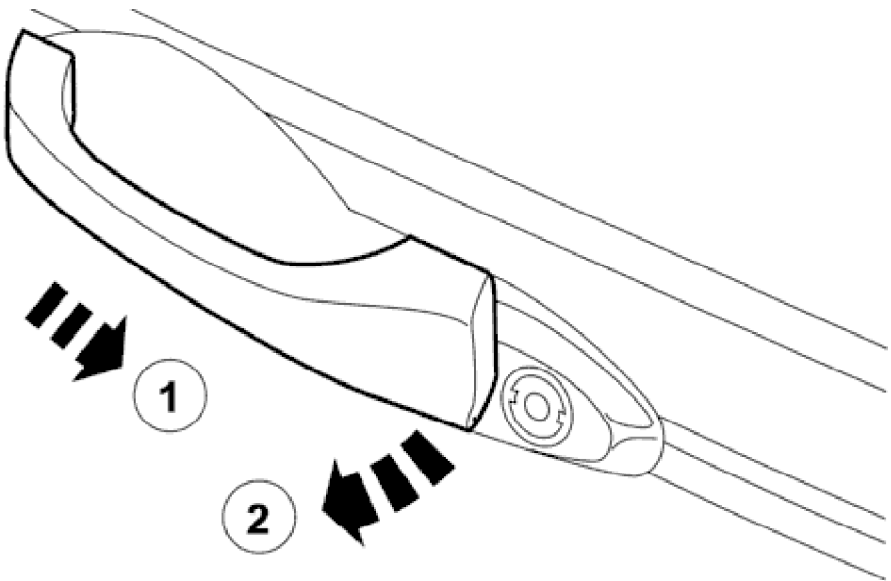
E38765

- 6. Remove the front door lock bezel.
- 1. Hold the exterior door handle in the open position.
- 2. Remove the front door lock bezel.



E38767

- 7. Release and hold the exterior door handle retaining clip.



E38766

- 8. Remove the exterior door handle.
 - 1. Release the exterior door handle.
 - 2. Remove the exterior door handle.

Installation

- 1. To install, reverse the removal procedure.