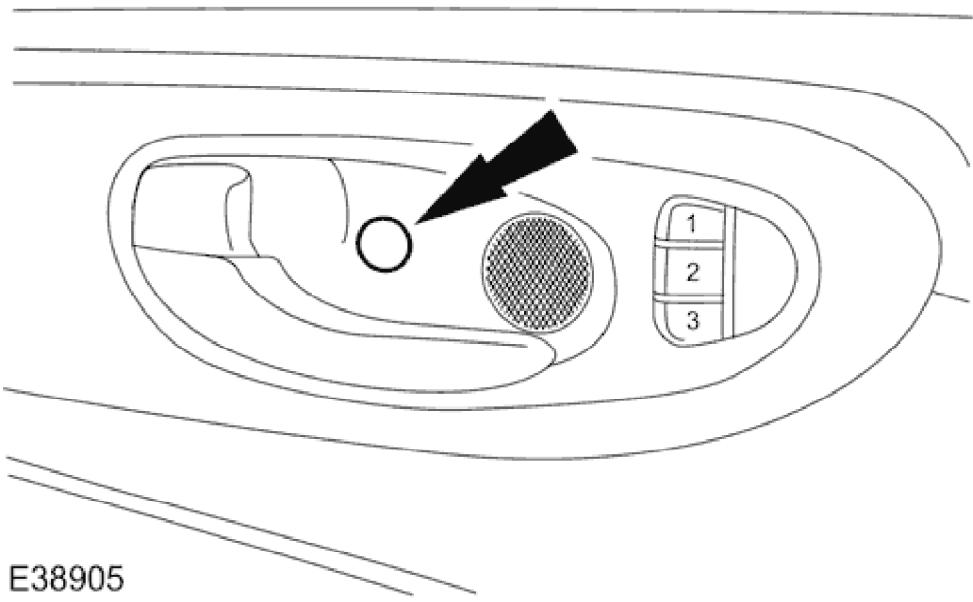


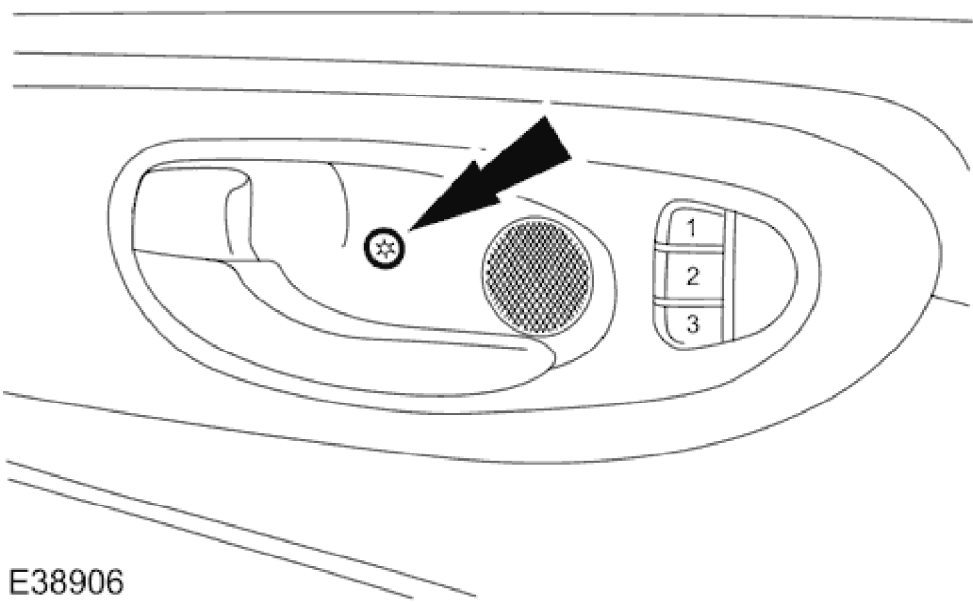
Front Door Trim Panel 76.34.01

Removal



E38905

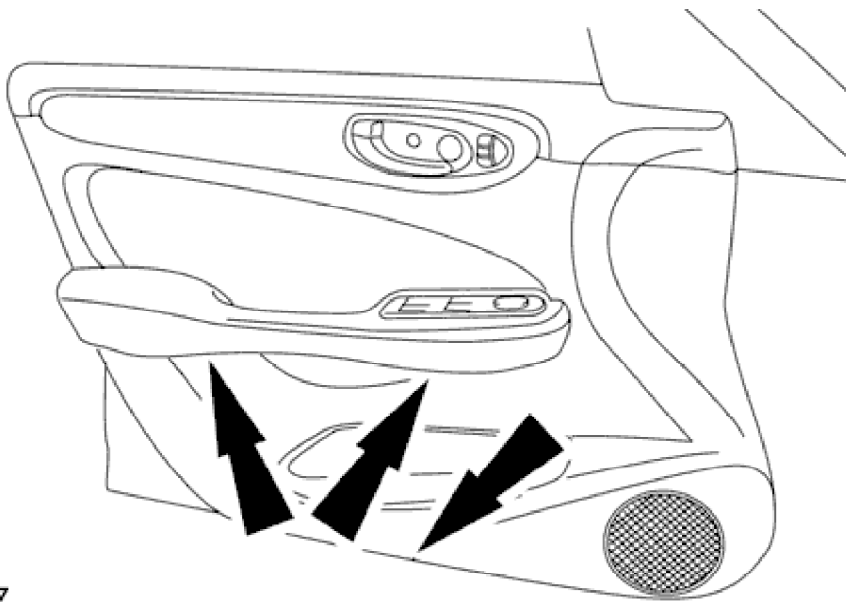
1. Remove the front door interior handle retaining screw cover.



E38906

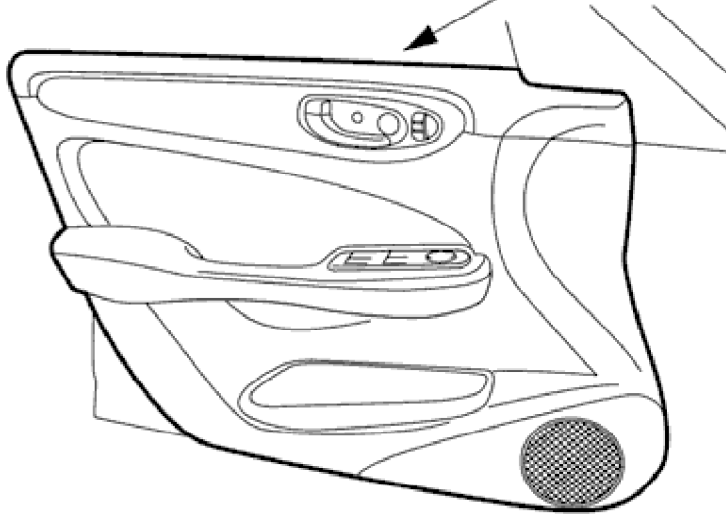
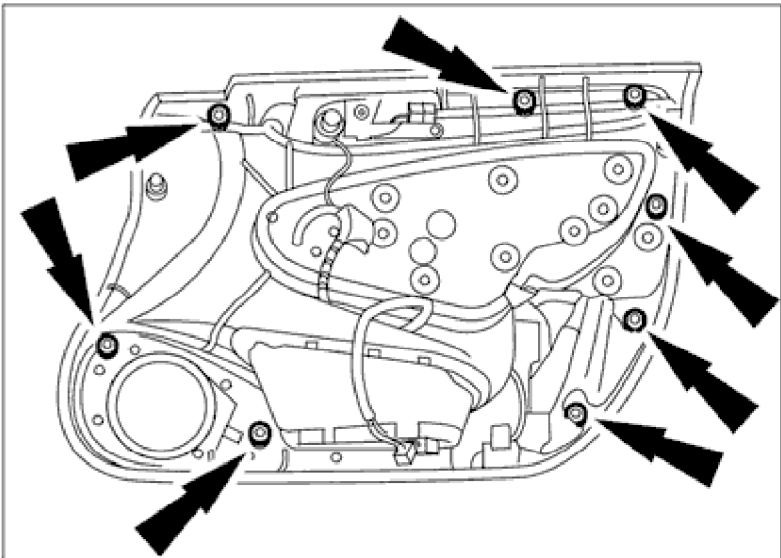
2. Remove the front door interior handle retaining screw.

2004 XJ RANGE - Interior Trim and Ornamentation - 501-05



E38907

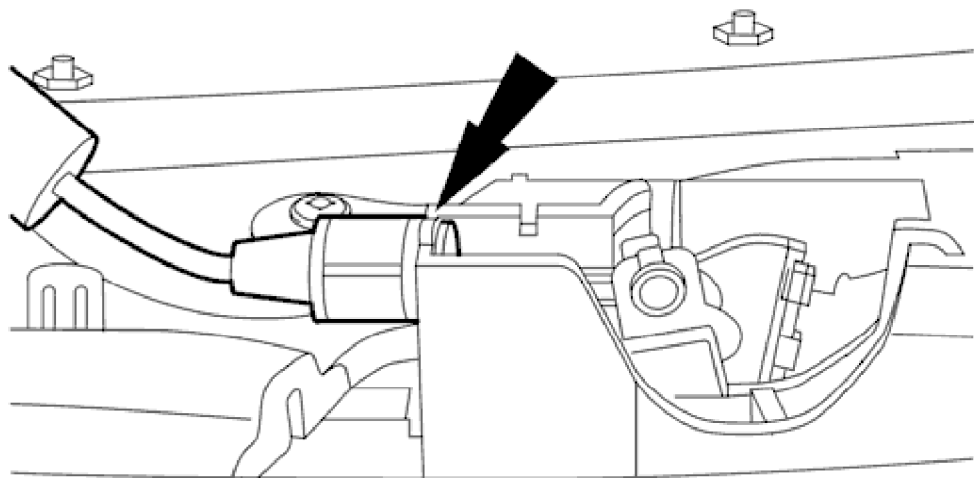
3. Remove the front door trim panel retaining screws.



E38908

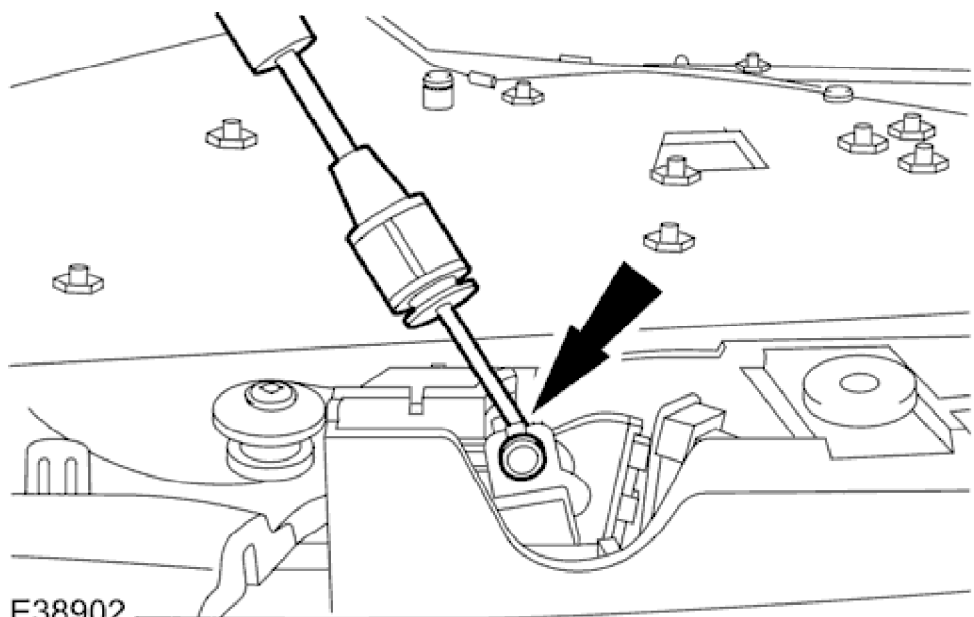
4. Detach the front door door trim panel.

2004 XJ RANGE - Interior Trim and Ornamentation - 501-05



E38901

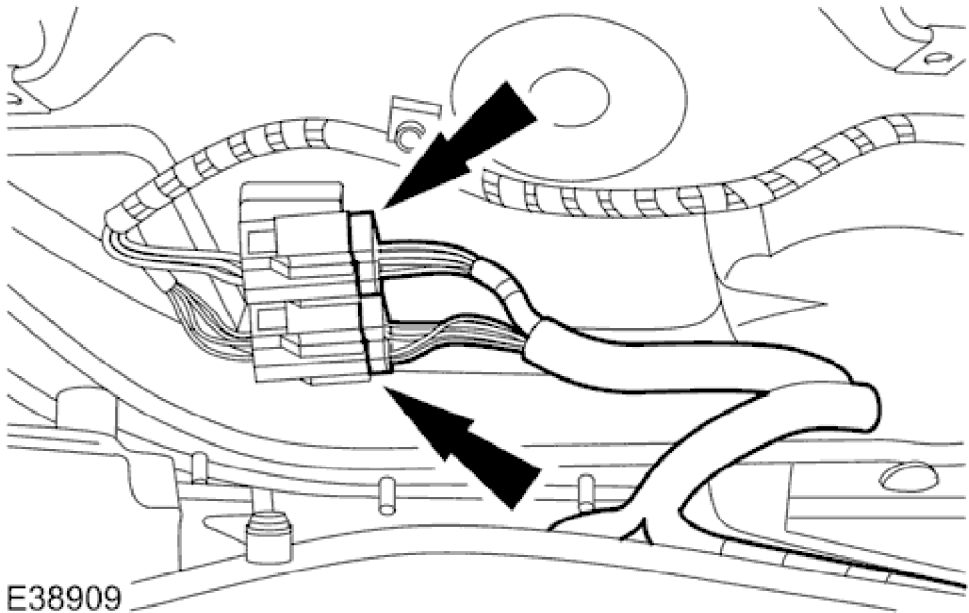
5. Detach the front door interior handle cable.



E38902

6. Remove the front door interior handle cable.

**2004 XJ RANGE - Interior Trim and Ornamentation - 501-05**



- 7. Remove the front door trim panel.
  - Disconnect the electrical connectors.

**Installation**

- 1. To install, reverse the removal procedure.