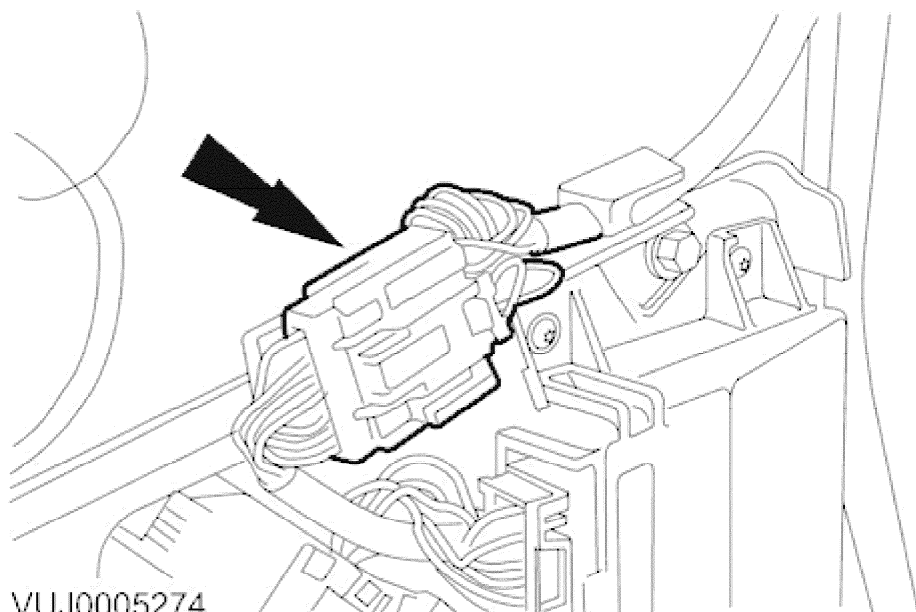


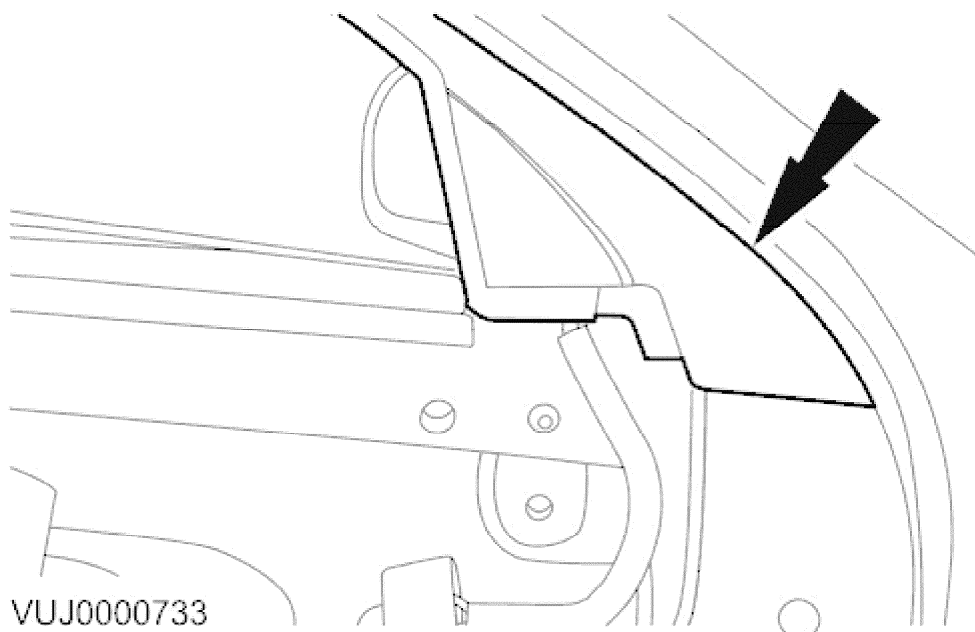
Exterior Mirror 76.10.52

Removal

1. Remove the front door trim panel. <<501-05>>

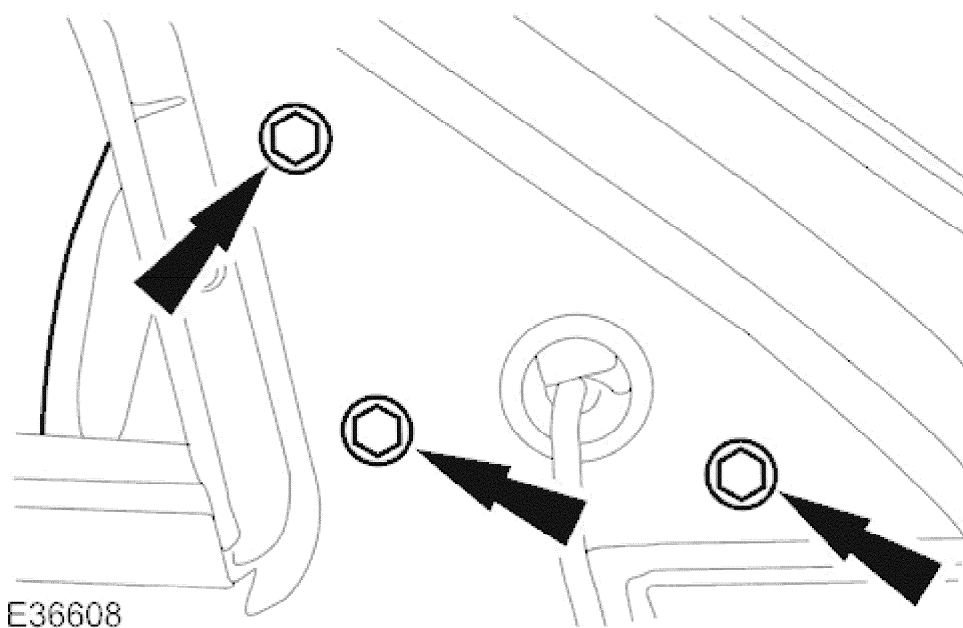


2. Disconnect the exterior mirror electrical connector.



3. Detach the front door window glass interior trim panel.

2004 XJ RANGE - Rear View Mirrors - 501-09

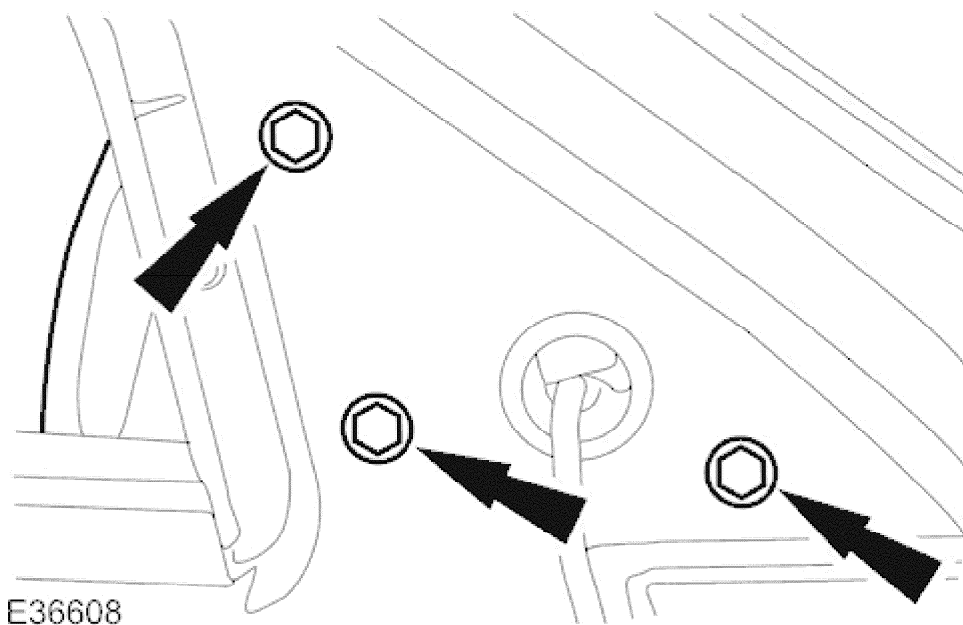


4. **NOTE:**

Hold the exterior mirror while removing the retaining bolts.

Remove the exterior mirror.

Installation



1. To install, reverse the removal procedure.

- Tighten to 8 Nm.