

**Camshaft Cover Oil Leaks – AJ16 Engine –
Revised Bolt Torque Specification**

MODEL 1995-96 MY
Sedan (4.0)Range
VIN
720001-767554

ISSUE:

The torque specification for the camshaft cover retaining bolts has been revised beginning with VIN 767555. The revised torque specification ensures that the shoulder on the shank of the bolt bottoms against the surface of the cylinder head (Illustration 1) to achieve even compression of the camshaft cover gasket and to reduce the incidence of oil leakage.

The revised torque specification applies to **all** AJ 16 engines.

ACTION:

In case of oil leakage or when removing and installing the camshaft cover for any reason, follow the procedure below.

INSTALLING CAMSHAFT COVER

1. Discard the "on-plug" ignition coil gaskets, the spark plug well seals, and the camshaft cover gasket.
2. Wipe clean all seal faces on both the camshaft cover and the cylinder head.

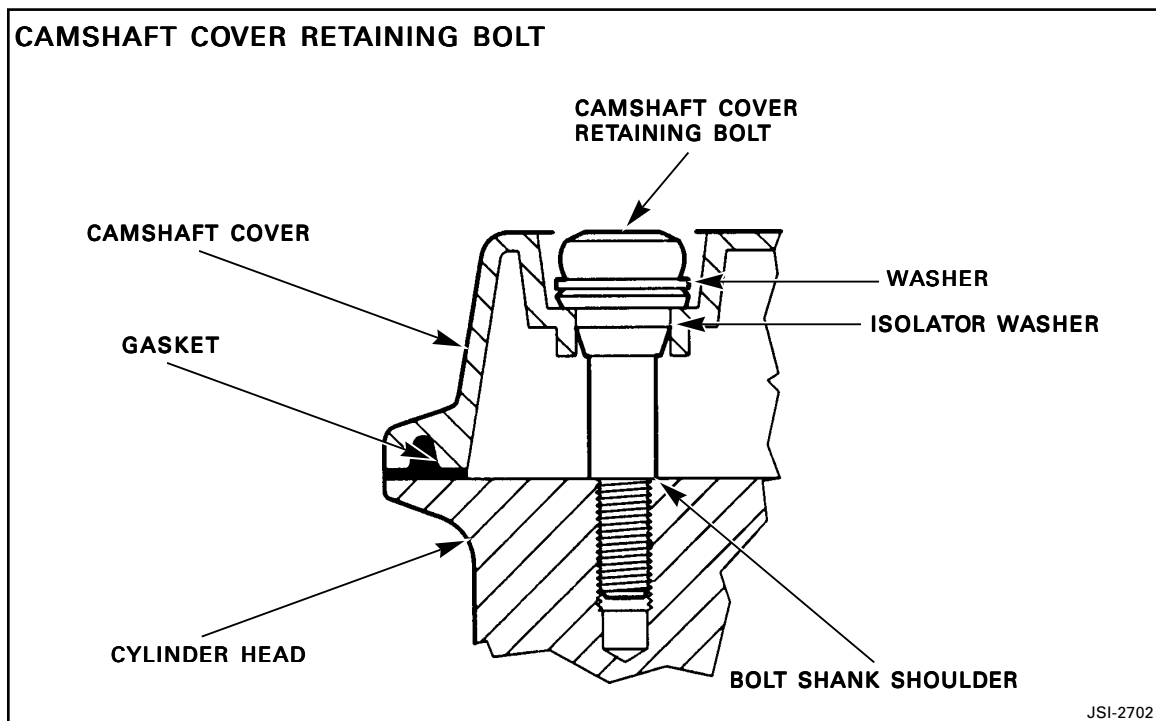


ILLUSTRATION 1

3. Install **new** seals in the spark plug wells.
4. Install a **new** camshaft cover gasket.
5. Install the camshaft cover and tighten the 13 retaining bolts "finger-tight."
6. Final tighten the retaining bolts in the sequence shown in Illustration 2
Torque the bolts to 5 lb. ft. (6.5 Nm).
7. Install new seals when reinstalling the "on-plug" ignition coils.

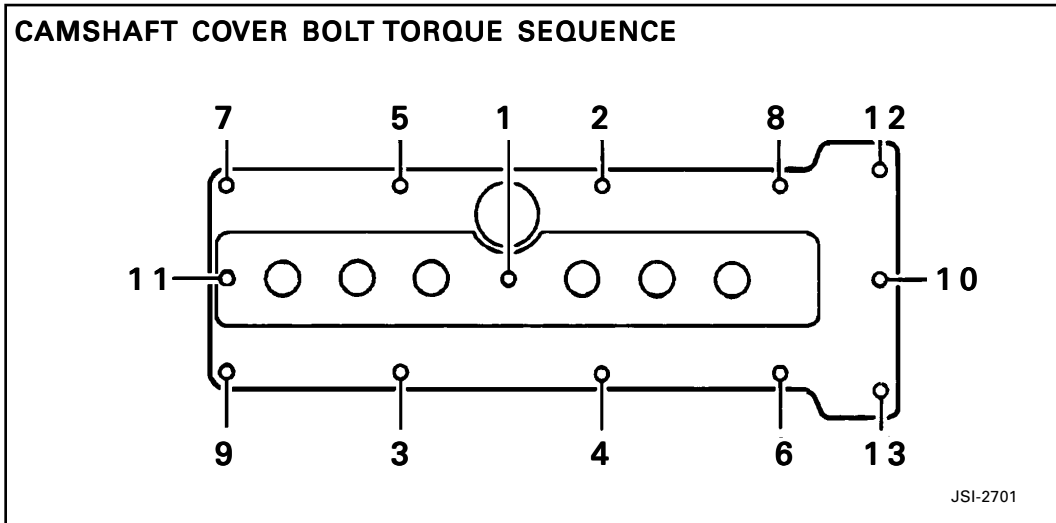


ILLUSTRATION 2

PARTS INFORMATION:

Refer to the Parts Microfiche.

WARRANTY INFORMATION:

<u>FAULT CODE</u>	<u>R.O. NUMBER</u>	<u>DESCRIPTION</u>	<u>TIME ALLOWANCE</u>
AB DC HJ	12.29.39	Camshaft cover gasket replace	1.00 hrs.