



4.2 Camshaft Cover Gasket, Renew

SRO 12.29.39

- Slacken the clamp securing the breather hose to the camshaft cover stub pipe and remove the hose.
- Remove the top cover, see Section 4.34.
- Remove the on-plug ignition coils from the spark plugs, moving the earth lead eyelet away from the rear ignition coil fixing hole.
- Reposition the ignition coil harness along the side bulkhead.
- Remove the camshaft cover securing bolts and discard the bolt seals.
- Remove the camshaft cover, discarding the gasket and spark plug well seals. Clean the camshaft cover and cylinder head joint faces.
- Fit a new gasket to the camshaft cover and new seals to the spark plug wells.
- Fit the camshaft cover to the cylinder head ensuring correct seating in the half-circle cutouts.
- Fit new securing bolt seals to the camshaft cover. Fit and tighten the securing bolts.
- Position the ignition coil harness and fit the ignition coils.
- Fit the top cover, see Section 4.34.
- Connect the breather hose to the camshaft cover stub pipe and tighten the securing clamp.

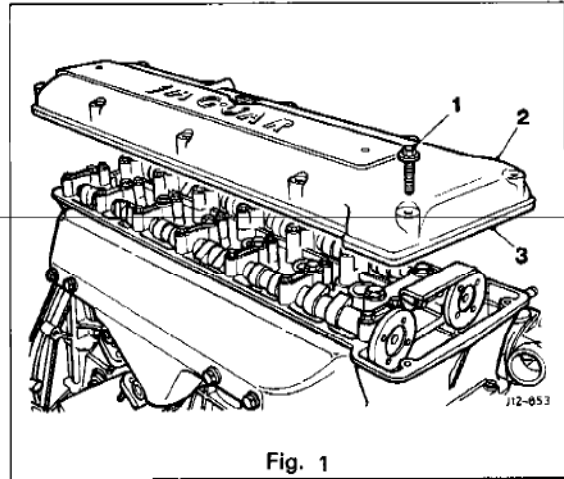


Fig. 1