

AMP Sealed Connectors

Catalog 65481
Revised 01-00



Need more information?

Call the AMP Product
Information Center:
1-800-522-6752

The Product Information
Center is staffed with
specialists well versed in all
AMP products. The Center
can provide:

- Technical Support
- Catalogs
- Technical Documents
- Product Samples
- AMP Authorized
Distributor Locations

Dimensioning:
Dimensions are in millimeters and
inches. Values in brackets are U.S.
equivalents.

Metric symbols used are:

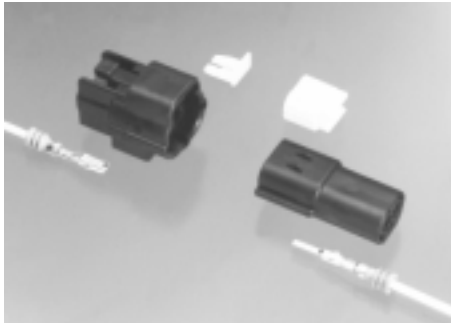
- m (meter)
- mm² (square millimeter)
- cm (centimeter)
- N (newton)
- kg (kilogram)
- c (Celsius)

© 1998, 2000 by Tyco Electronics.
All Rights Reserved.

AMP, AMP-O-LECTRIC,
AMP-O-MATIC, AMPOMATOR,
AMPSEAL, CERTI-CRIMP,
FASTON, MATE-N-LOK, MULTILOCK,
POWERBAND and PRO-CRIMPER
are trademarks.

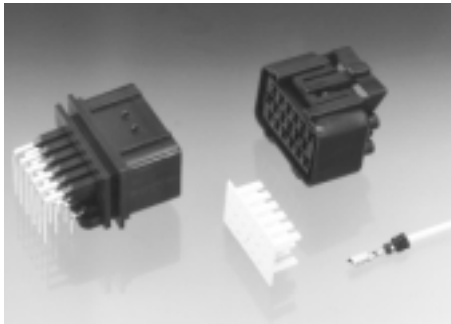
All other trademarks are the property of
their respective owners.

Table of Contents



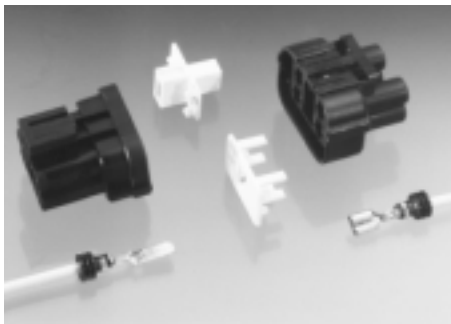
Econoseal J Series [MarkII(+)] Connectors
Sealed Connectors Using 070 Series Contacts,
1.8 mm [.071 in.] Tab Contact Width

Introduction 7
 Connector Housings, Lock Plates, and Contacts 8
 Wire Seals and Cavity Plugs 9
 Dimensional Data For Connector Housings 10



Econoseal III, 070 Series
Wire To Board Connectors Using 070 Series Contacts,
1.8 mm [.071 in.] Tab Contact Width

Introduction 11
 Connector Housings, Lock Plates, Contacts and Wire Seals 12
 Dimensional Data For Connector Housing 13



Econoseal III, 250 Series
Wire To Wire Connectors Using 250 Series Contacts,
6.3 mm [.250 in.] Tab Contact Width

Introduction 14
 Connector Housings, Lock Plates, Contacts,
 Wire Seals and Cavity Plugs 15
 Dimensional Data For Connector Housings 16



Superseal 1.5 Series Wire To Wire Connectors (6 mm Centers)
Single Row, Wire To Wire Connector on 6 mm Centers,
Using 1.5 mm [.059 in.] Tab Contact Width

Introduction 17
 Connector Housings and Contacts 18
 Wire Seals, Cavity Plugs, and Rubber Boots 19
 Dimensional Data For Housings, Contacts and Seals 20

Table of Contents



Mini MULTILOCK Sealed Connector
Seven Position, Wire To Wire Connector,
Using 0.8 mm [.031 in.] Tab Contact Width

Introduction 21
Connector Housings, Contacts, and Cavity Plugs
(includes dimensional data) 22



.187 Series Sealed Connector
Two Position Wire To Wire Connector Using .187 Series Contacts,
4.8 mm [.189 in.] Tab Contact Width

Introduction 23
Connector Housings and Receptacle Contact
(includes dimensional data) 24
Tab Contacts and Wire Seals (includes dimensional data) 25



Superseal Wire To Device Connectors
Single Row, Plug Connectors On 3.5 mm [.138 in.] Centers
1.5 mm [.059 in.] Tab Contact Width

Introduction 26
Connector Housings (includes dimensional data) 27
Receptacle Contact and Wire Seal
(includes dimensional data) 28



**Sealed Micro-Quadlock-System (MQS) Connectors
For Wire To Device Applications**
Plug Connectors Using Socket Type Contacts For
Wire To Device Applications

Introduction 29
Connector Housings, Contacts, and Wire Seals 30
Dimensional Data For Connector Housings 31

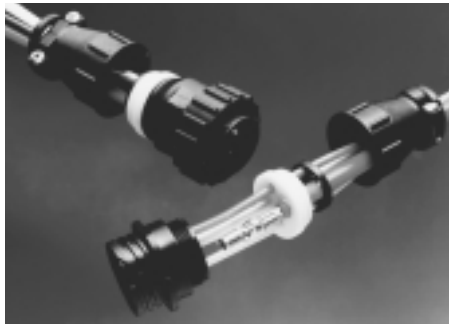
Table of Contents



Sealed Circular Connectors

Sealed Circular Connectors Using 1.5 mm [.059 in.] And 2.5 mm [.098 in] Diameter Pin And Socket Contacts

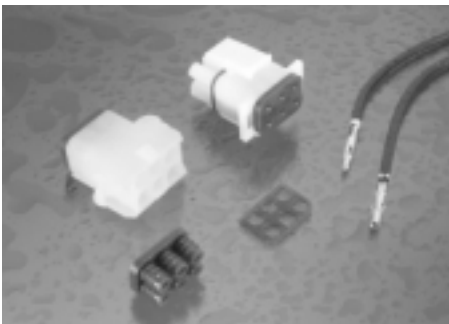
Introduction 32
 Connector Housings and Accessories 33
 Contacts and Wire Seals 34
 Schematic Of Connector System 35



Sealed Circular Plastic Connectors

Sealed Circular Plastic Connectors Using 3.18 mm [.125 in.] Diameter POWERBAND Pin and Socket Contacts

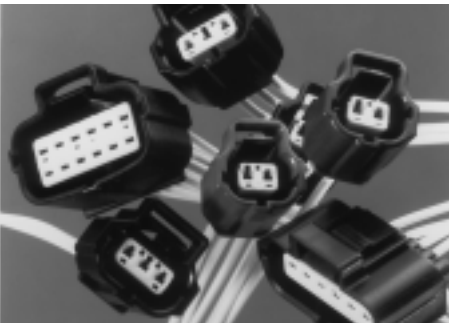
Introduction 36
 Contacts 37
 Connector Housings, Seals and Accessories 38-50



Splash Proof/Sealed Universal MATE-N-LOK Connectors

Splash Proof Sealed Connectors Using 2.13 mm [.084 in.] Solid and 2.18 mm [.086 in.] Split Diameter Pin and Socket Contacts

Introduction 51, 52
 Seals and Contacts 53, 54
 Connector Housings and Accessories 54, 55

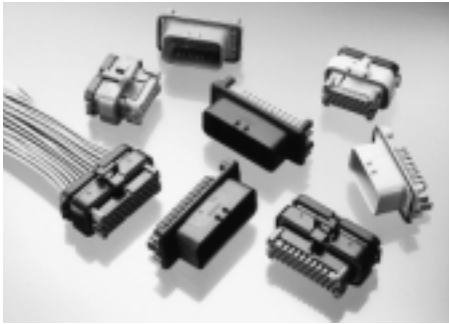


SSC (Sealed Sensor Connector) System

Sealed Sensor Connectors Using 1.8 mm [.071] Diameter Pin and Socket Contacts

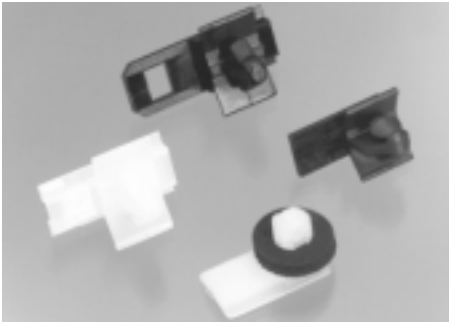
Introduction 56
 Contacts, Seals and Plugs 57
 Plug Assemblies 58-61
 CAP Housings and Lock Plates 62
 Part Number List 63

Table of Contents



AMPSEAL Automotive Plug Connector and Header Assembly 23 Position and 35 Position Plug Assemblies and Right Angle or Vertical Headers

Introduction64, 65
Part Number List65, 66
Contacts and Seal Plugs67



Mounting Clips68

Mounting Clips For:

- Econoseal J Series[Mark II+] Connectors
- Econoseal III, .250 Series Connectors
- .187 Series Connectors

(Includes Panel Cut-Out Requirements)



Application Tooling69-75

Index of Part Numbers76, 77

Econoseal J Series [Mark II(+)] . . . Sealed Connectors

Contacts

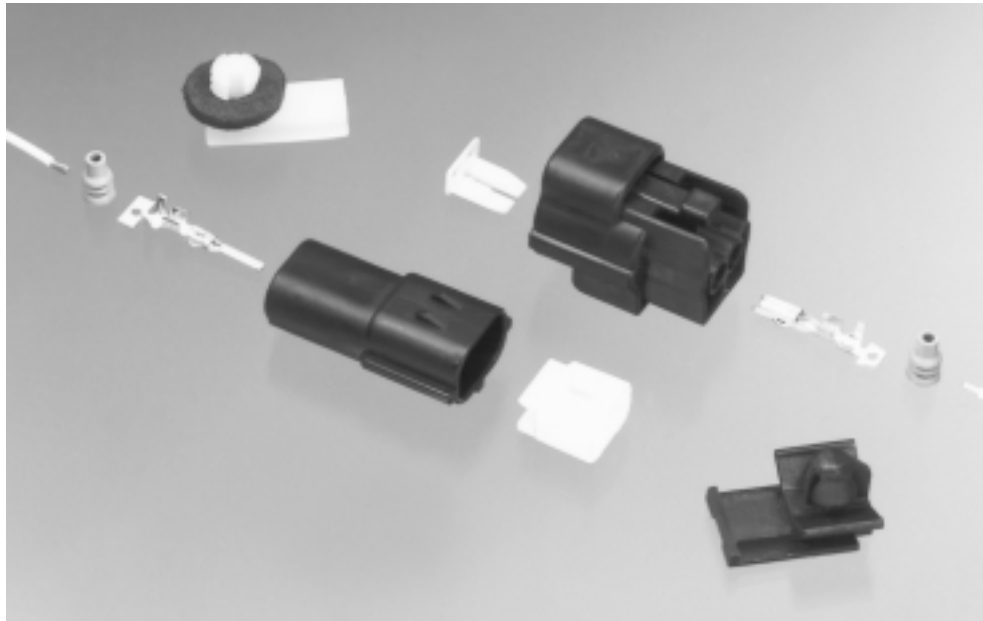
- 070 series tab contacts. 1.8 mm [.071 in.] wide x 0.64 mm [.025 in.] thick
- Receptacle contacts are available in brass or phosphor bronze with pre-tin or gold plating.
- Tab contacts are available in pre-tin or gold plated brass.
- Lanceless design to reduce tangling.
- Wire range 0.20 - 1.25 mm² [#24 - #16 AWG]

Wire Seals and Cavity Plugs

- Made from NBR material.
- Wire seal and contact crimped simultaneously.
- For wire insulation diameters of 1.4 - 2.6 mm [.055 - .102 in.]

Connector Housings

- Housings and lock plates made from PBT material.
- Connectors available in 1, 2, 3, 4, 6, 8, 10, and 12 position versions.
- Utilize a loose piece secondary lock (sold separately).
- Cavity plugs are available to seal unused contact cavities.
- An audible click helps insure proper connector mating.
- Protected locking lever.
- Recognized under the Component Program of Underwriters Laboratories Inc. File No. E28476.



AMP Econoseal J Series Mark II(+) Connectors have been developed for use in automobile engine compartments and other applications where waterproof protection and rugged construction are required.

Waterproof protection is achieved by means of a wire seal which is inserted onto the wire and crimped simultaneously with the insulation support of the contact. Plug housings include a factory installed NBR interface seal. Cavity plugs are available to seal contact positions on the connector which are not used.

The wire seals and cavity plugs incorporate a beveled, 3 ridge design, with the front two ridges being slightly smaller than the rear ridge to reduce

insertion into the connector housing. Another important feature allows trapped air to escape when the internal connector pressure becomes excessive due to changes in temperature or atmospheric pressure.

The MarkII(+) connector incorporates a secondary lock plate which when inserted into the connector housing will detect partially mated contacts. The lock plate also increases contact retention and prevents contact damage during mating or unmating of the connector. **One lock plate is required for each connector housing. Lock plates are sold separately.**

Sealing surfaces of the MarkII(+) connector are located inside of the connector housing thus reducing the possibility of damage to the seal during handling.

Product Performance

Temperature Rating
-30 to 105^o C (including temperature rise due to applied current.)

Contact Termination Resistance
3 mΩ(Max. (Initial))
10 mΩ(Max. (Final))

Dielectric Strength
1.0 kVAC between adjacent contacts.

Current Guidelines
See page 13 of the product specification for information.

Product Documentation

Product Specification
108-5262

Application Specification
114-5082

Customer Manual
CM-325J

Sample Kit
889458

Econoseal J Series [Mark II+] (Continued)

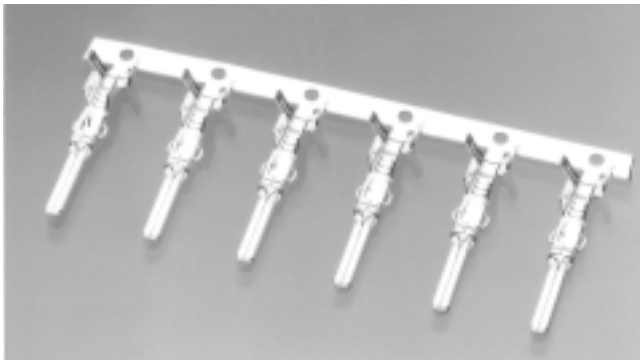
Connector Housings and Double Lock Plates



Double lock plates are sold separately. One lock plate is required for each connector housing. Plug housings include a factory assembled, black, NBR interface seal.

Positions	Plug Connector Utilizes Receptacle Contacts		Cap Connector Utilizes Tab Contacts	
	Housing Black Polyester	Lock Plate Yellow Polyester	Housing Black Polyester	Lock Plate Yellow Polyester
1	174877-2	174878-7	174879-2	174880-7
2	174352-2	174353-7	174354-2	174355-7
3	174357-2	174358-7	174359-2	174360-7
4	174257-2	174258-7	174259-2	174260-7
6	174262-2	174263-7	174264-2	174265-7
8	174982-2	174983-7	174984-2	174985-7
10	174655-2	174656-7	174657-2	174658-7
12	174661-2	174662-7	174663-2	174664-7

070 Series Tab Contacts



- Manufactured from 0.32 [.013] thick material.
- Tab contact area measures 1.8 [.071] wide x 0.64 [.025] thick.
- Uncrimped contact length = 20.4 [.803]

Wire Range mm ² / AWG	Wire Ins. Dia. mm / Inches	Material & Finish	Tab Part Number	
			Strip	Loose Piece
0.20 - 0.50 [24 - 20]	1.4 - 2.4 [.055 - .094]	Brass Pre-Tin	171631-1	173600-1
		Brass Select Gold	171631-2	—
0.50 - 1.25 [20 - 16]	2.0 - 2.6 [.079 - .102]	Brass Pre-Tin	171661-1	173706-1
		Brass Select Gold	171661-2	—

070 Series Receptacle Contacts



- Manufactured from 0.3 [.012] thick material.
- Uncrimped contact length = 16.5 [.650]

Wire Range mm ² / AWG	Wire Ins. Dia. mm / Inches	Material & Finish	Rec Part Number	
			Strip	Loose Piece
0.20 - 0.50 [24 - 20]	1.4 - 2.4 [.055 - .094]	Brass Pre-Tin	171630-1	171699-1
		Phos. Bronze Select Gold	171630-5	—
0.50 - 1.25 [20 - 16]	2.0 - 2.6 [.079 - .102]	Brass Pre-Tin	171662-1	173707-1
		Phos. Bronze Pre-Tin	171662-4	—
		Phos. Bronze Select Gold	171662-5	—

Econoseal J Series [Mark II+] (Continued)

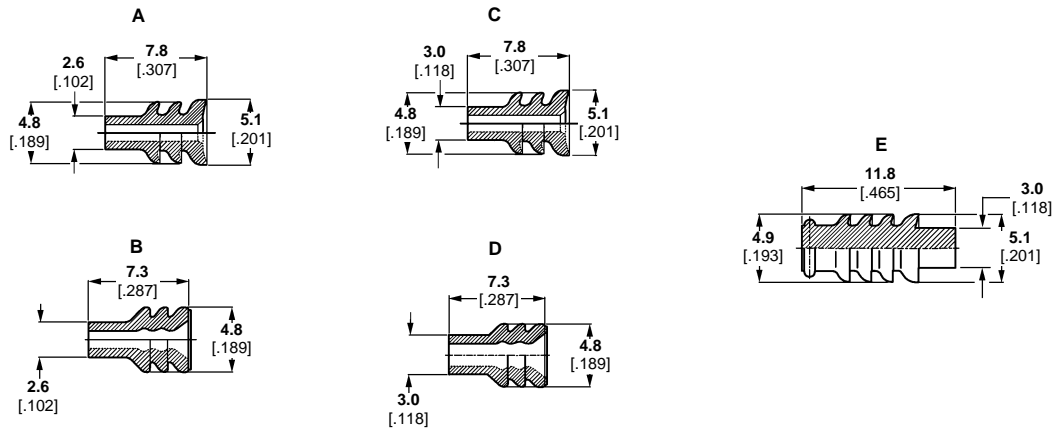
Wire Seals and Cavity Plugs

One wire seal is required for each contact.
Cavity plugs are used to seal unused connector cavities.



Description	Wire Range mm ² /AWG	Wire Ins. Dia. mm/Inches	Material & (Color)	Style	Wire Seal Part Number	Use With Contact Part Number
Wire Seals	0.2-0.5 [24-20]	1.4-2.4 [.055-.094]	NBR (Black)	A	172746-1	171631-1 171631-2 173600-1
		1.4-2.1 [.055-.083]		B		178210-1
	0.50-1.25 [20-16]	2.0-2.6 [.079-.102]	NBR (Gray)	C	172888-2	171661-1 171661-2 173706-1
		2.0-2.6 [.079-.102]		D		176886-2
Cavity Plug	—	—	NBR (Black)	E	172748-1	—
			NBR (Gray)		172748-2	

Wire Seals and Cavity Plugs . . . Dimensional Data



Econoseal J Series [Mark II+] (Continued)

Dimensional Data

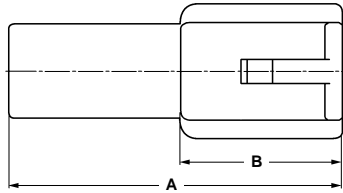


Figure #1
CAP HOUSING
Single Row Configuration

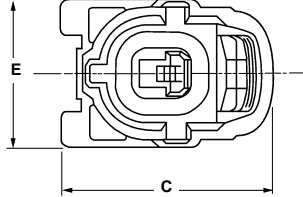
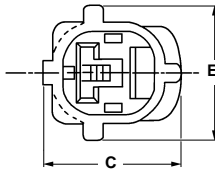


Figure #2
PLUG HOUSING
Single Row Configuration

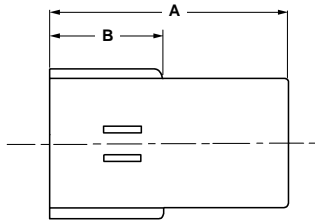
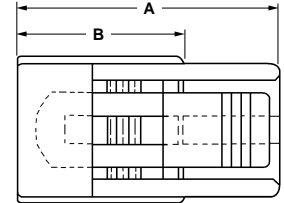


Figure #3
CAP HOUSING
Double Row Configuration

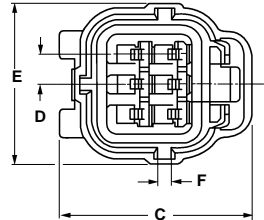
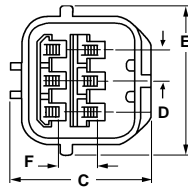
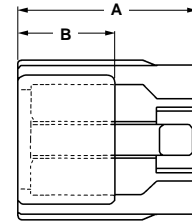


Figure #4
PLUG HOUSING
Double Row Configuration



Position Housing Type	Part Number	Figure	Rows Single/Double	Dim. "A"		Dim. "B"		Dim. "C"		Dim. "D"		Dim. "E"		Dim. "F"	
				mm	in.	mm	in.	mm	in.	mm	in.	mm	in.	mm	in.
1 / Cap	174879-2	1	1	32.5	[1.28]	15.7	[.618]	14.2	[.559]	—	—	13.5	[.531]	—	—
1 / Plug	174877-2	2	1	27.6	[1.09]	17.5	[.689]	22.0	[.866]	—	—	15.8	[.622]	—	—
2 / Cap	174354-2	1	1	32.5	[1.28]	15.7	[.618]	14.05	[.553]	4.8	[.189]	18.3	[.720]	—	—
2 / Plug	174352-2	2	1	27.6	[1.09]	17.5	[.689]	22.8	[.898]	4.8	[.189]	20.6	[.811]	—	—
3 / Cap	174359-2	1	1	32.5	[1.28]	15.7	[.618]	13.9	[.547]	4.8	[.189]	23.1	[.909]	—	—
3 / Plug	174357-2	2	1	27.6	[1.09]	17.5	[.689]	22.8	[.898]	4.8	[.189]	25.4	[1.00]	—	—
4 / Cap	174259-2	3	2	35.5	[1.40]	18.2	[.717]	20.6	[.811]	4.8	[.189]	18.3	[.720]	5.6	[.220]
4 / Plug	174257-2	4	2	27.6	[1.09]	21.5	[.846]	29.3	[1.15]	4.8	[.189]	20.6	[.811]	5.6	[.220]
6 / Cap	174264-2	3	2	35.5	[1.40]	18.2	[.717]	20.6	[.811]	4.8	[.189]	23.1	[.909]	5.6	[.220]
6 / Plug	174262-2	4	2	27.6	[1.09]	21.5	[.846]	29.3	[1.15]	4.8	[.189]	25.4	[1.00]	5.6	[.220]
8 / Cap	174984-2	3	2	36.5	[1.44]	19.7	[.776]	30.7	[1.21]	4.8	[.189]	27.9	[1.10]	5.6	[.220]
8 / Plug	174982-2	4	2	27.6	[1.09]	21.5	[.846]	33.2	[1.31]	4.8	[.189]	31.0	[1.22]	5.6	[.220]
10 / Cap	174657-2	3	2	36.5	[1.44]	19.7	[.776]	30.7	[1.21]	4.8	[.189]	32.7	[1.29]	5.6	[.220]
10 / Plug	174655-2	4	2	27.6	[1.09]	21.5	[.846]	33.2	[1.31]	4.8	[.189]	35.8	[1.41]	5.6	[.220]
12 / Cap	174663-2	3	2	36.5	[1.44]	19.7	[.776]	26.85	[1.06]	4.8	[.189]	37.5	[1.48]	5.6	[.220]
12 / Plug	174661-2	4	2	27.6	[1.09]	21.5	[.846]	33.2	[1.31]	4.8	[.189]	40.6	[1.60]	5.6	[.220]

Econoseal III ... 070 Series, Wire To Board Connectors

Contacts

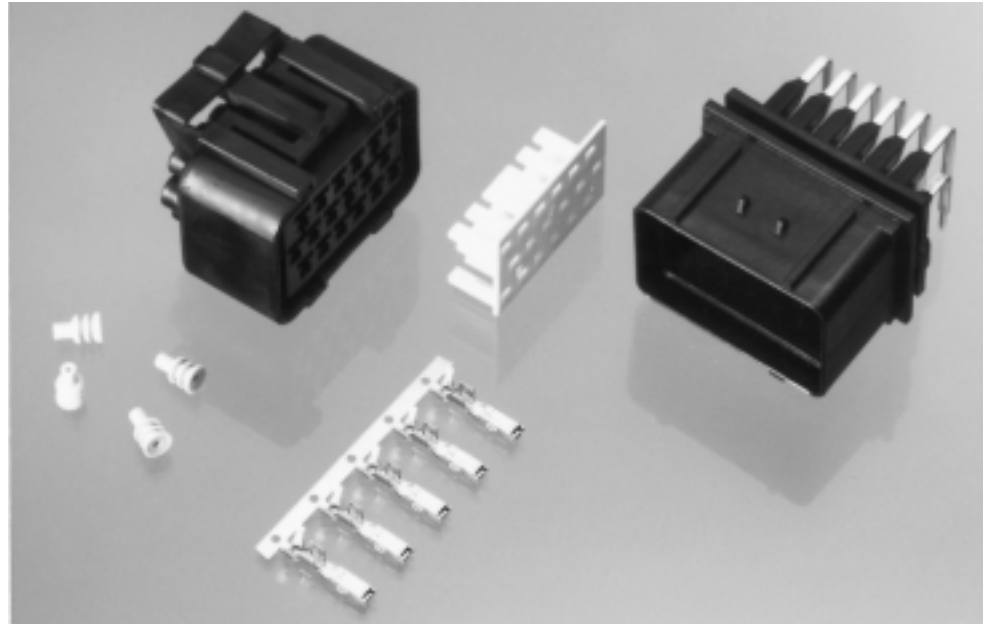
- 070 series tab contacts 1.8 mm [.071 in.] wide x 0.64 mm [.025 in.] thick.
- Receptacle contacts are gold plated, phosphor bronze.
- Header contacts are made from brass, selectively plated with tin lead and gold.
- Lanceless contact design to reduce tangling.
- Wire range 0.5 - 1.25 mm² [#20 - #16 AWG].
See Note 1

Wire Seals and Cavity Plugs

- Produced from silicon rubber.
- Wire seals and contacts crimped simultaneously.
- For insulation diameters 1.6 - 2.4 mm [.063 - .094 in.]

Connector Housings

- Horizontal header configuration with sealed receptacle housings.
- Headers are made from 13% glass filled nylon. Receptacle housings and double lock plates are produced from unfilled nylon.
- Available in 18 and 36 position versions.
- The receptacle housing requires a loose piece secondary lock (sold separately).
- Cavity plugs available to seal unused cavities.
- Protected locking lever.



Similar in design to the Econoseal J Series [Mark II+] connectors, the Econoseal III connectors utilize 070 series contacts for sealed wire to board applications.

The horizontal header includes factory loaded contacts with gold over nickel plating at the separable interface and tin lead plating at the board end. Gaskets for sealing around the outside of the header are not included.

Standard 070 receptacle contacts are used in the plug connector. Receptacle contacts are gold plated at the separable interface and tin plated in the wire crimp area. Every plug connector includes a factory installed interface seal.

Each plug connector requires a loose piece secondary lock plate be installed after the receptacle contacts are inserted into the connector housing. The lock plate

helps to detect partially mated contacts, increases contact retention, and helps prevent contact damage during mating or unmating of the connector. [Lock plates are sold separately.](#)

All sealed surfaces are located inside of the connector housing to reduce the possibility of damage during handling.

Note 1

2.0 mm² [#14 AWG] wires with thin wall insulation of 2.4 - 2.7 mm [.094 - .106 in.] can also be terminated. Applicators for this wire size are made to order. Call the Tooling Assistance Center at 1-800-722-1111 for more Information.

Product Performance

Temperature Rating

100° C maximum operating temperature including temperature rise due to current load.

Current Guidelines

See page 9 of the product specification for information.

Product Documentation

Product Specification

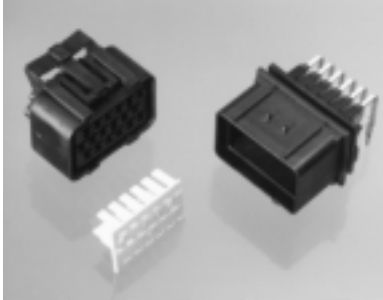
108-3114

Application Specification

114-3040

Econoseal III ... 070 Series, Wire To Board Connectors (Continued)

070 Series, Wire To Board, Connector Housings, Headers and Lock Plates

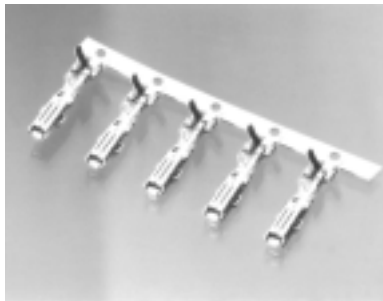


One lock plate is required for each plug connector housing. Double lock plates are sold separately. Lock plates are not required for the PCB Header. Plug housings include a factory assembled, silicon interface ring.

Positions	Plug Connectors		Printed Circuit Board Header
	Receptacle Housing Black Nylon	Contact 175104-2 Required Lock Plate White Nylon	
18	344106-1	344107-1	Housing, Black Nylon, Glass Filled 344103-1
36	344111-1	344112-1	344108-1

Header contacts are brass with selective gold plating at the separable interface and tin lead plating at the PCB interface.

070 Receptacle Contacts



Receptacle contacts are manufactured from 0.3 mm [.012 in.] thick material. Uncrimped contact length is 16.5 mm [.650 in.]

Wire Range mm ² / AWG	Wire Ins. Dia. mm / Inches	Material & Finish	Receptacle Part Number	
			Strip	Loose Piece
0.5-1.25 [20-16]	1.6-2.4 [.063-.094]	Phos. Bronze Selective Gold	175104-2	—

175104-2 can also be applied to 2.0 mm² [#14 AWG] wires with thin wall insulation in the range of 2.4-2.7 mm [.094-.106]. Applicators for terminating 2.0 mm² [#14 AWG] wire are made to order. Call the Tooling Assistance Center at 1-800-722-1111 for more information.

Wire Seals & Cavity Plugs

(One wire seal required per contact.)

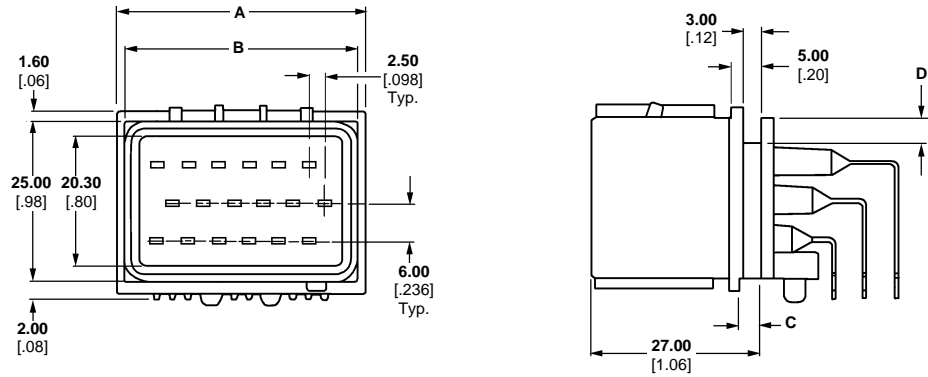


All wire seals and cavity plugs are manufactured from silicon rubber.

Description	Wire Range mm ² / AWG	Wire Ins. Dia. Inches / mm	Color	Part Number
Wire	0.5-1.25 [20-16]	1.6-2.4 [.063-.094]	Green	347874-1
Cavity Plug	—	—	Gray	348461-1

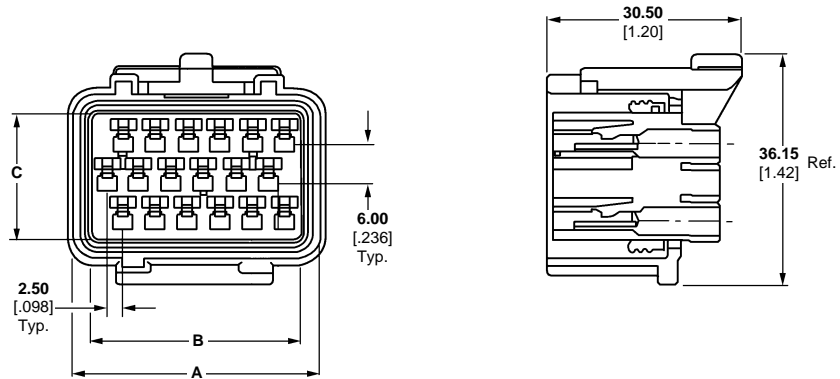
For 2.0 mm² [#14 AWG] wire with a 2.4 mm [.094] insulation diameter, use wire seal 347874-1. For 2 mm² [#14 AWG] wire with insulation diameters between 2.5-2.7 mm [.098-.106] wire seal 347875-1 should be used.

Econoseal III ... 070 Series, Wire To Board Connectors ... (Continued)
Header Dimensions



Part Number	Positions	Dim. "A"		Dim. "B"		Dim. "C"		Dim. "D"	
		mm	[in.]	mm	[in.]	mm	[in.]	mm	[in.]
344103-1	18	41.00	[1.61]	37.90	[1.49]	3.25	[0.13]	4.00	[0.16]
344108-1	36	70.80	[2.79]	67.88	[2.67]	3.50	[0.14]	3.90	[0.15]

Econoseal III ... 070 Series, Wire To Board Connectors ...
Plug Housing Dimensions



Part Number	Positions	Dim. "A"		Dim. "B"		Dim. "C"	
		mm	[in.]	mm	[in.]	mm	[in.]
344106-1	18	40.80	[1.61]	32.50	[1.28]	19.70	[0.78]
344111-1	36	70.80	[2.79]	62.20	[2.45]	19.50	[0.77]

Econoseal III ... 250 Series, Wire To Wire Connectors

Contacts

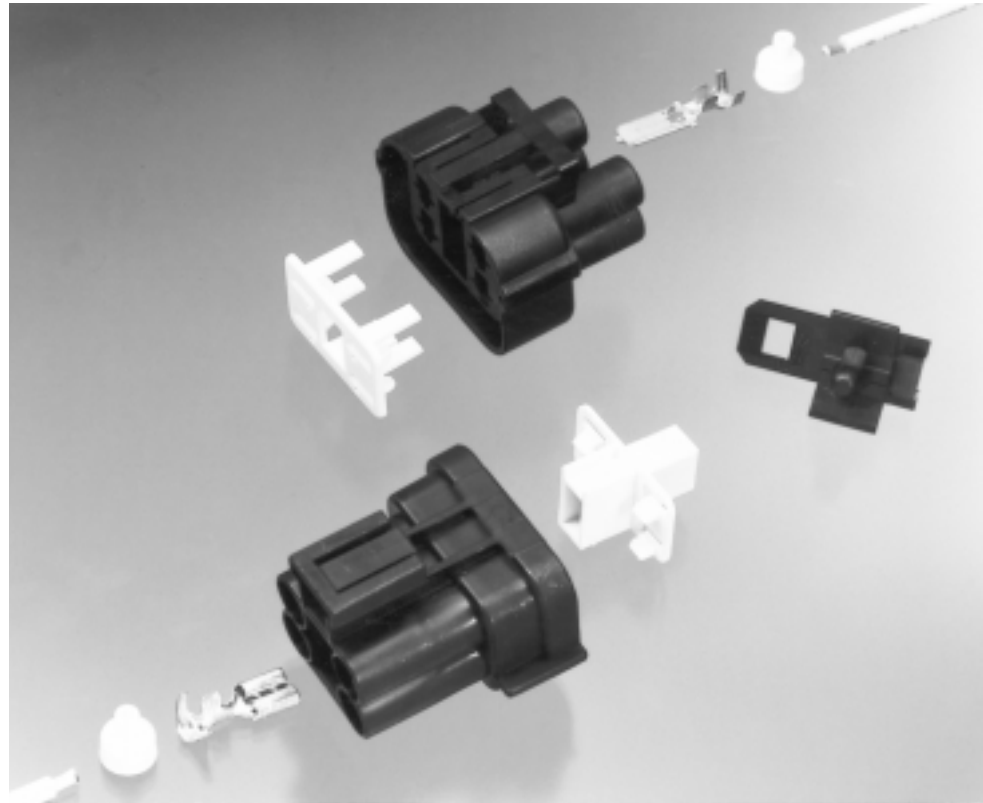
- .250 Series FASTON contacts.
- Tab and receptacle contacts are made from pre-tin plated brass.
- Wire range 0.5 - 3.0 mm² [#20 - #12] AWG.
- Lanceless contact design to reduce tangling.

Wire Seals And Cavity Plugs

- Made from silicon rubber.
- Wire seals and contacts crimped simultaneously
- For wire insulation diameters of 1.6 - 3.4 mm [0.063 - 0.134 in.]

Connector Housings

- Housings and double lock plates are made from nylon.
- Available in 2, 4, or 8 position versions.
- Each connector housing requires a loose piece secondary lock (sold separately).
- Audible click helps insure proper mating.
- Protected locking lever



A high current version of the Econoseal J Series [Mark II+] connector, this Econoseal III product family incorporates many of the basic housing and secondary lock plate features found in the Econoseal J Series [Mark II+] connector, with the current carrying capacity of the 250 Series FASTON contact family.

Waterproof protection is achieved via a silicon rubber wire seal which is inserted onto the wire and crimped simultaneously with the insulation support of the contact. Plug (receptacle) housings include a factory installed silicon rubber interface seal. Cavity plugs are available to seal contact positions

on the connector which are not used.

Each connector housing requires the use of a secondary lock plate which is sold separately.

The lock plate is inserted into the connector housing after the contacts have been loaded. The secondary lock helps to detect partially mated contacts, increases contact retention, and helps prevent contact damage during contact mating and unmating.

All sealed surfaces are located inside the connector housings to help prevent possible damage during handling.

Product Performance

Temperature Rating

100° C maximum operating temperature (including temperature rise due to applied current).

Current Guidelines

See page 10 of the product specification for information.

Product Documentation

Product Specification

108-3069

Application Specification

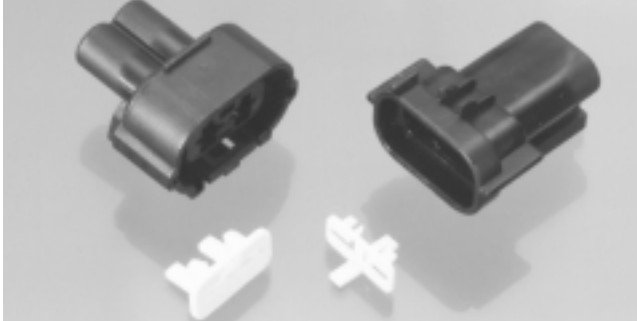
114-3036

Sample Kit

1242020

Econoseal III250 Series Wire To Wire Connectors (Continued)

.250 Series Wire To Wire Connector Housings and Lock Plates



Double lock plates are sold separately. One lock plate is required for each connector housing. Plug housings include a factory assembled, silicon seal ring.

Positions	Plug Connector Utilizes Receptacle Contacts		Cap Connector Utilizes Tab Contacts	
	Housing Black Nylon	Lock Plate White Nylon	Housing Black Nylon	Lock Plate White Nylon
2	344081-1	344089-1	344075-1	344090-1
4	344080-1	344087-1	344074-1	344088-1
8	344079-1	344085-1	344073-1	344086-1

.250 Series Tab Contacts



Tab thickness is 0.81 [.032]. Uncrimped contact length is approximately 24.70 [0.972] not including the cut-off tab.

Wire Range mm ² / AWG	Wire Ins. Dia. mm / Inches	Material & Finish	Tab Part Number	
			Strip	Loose Piece
0.5-1.5 [20-16]	1.6-2.4 [.063-.094]	Brass Pre-Tin	344069-1	344991-1
2.0-3.0 [14-12]	2.6-3.4 [.102-.134]		344008-1	344989-1

.250 Series Receptacle Contacts



Receptacle contacts are manufactured from 0.32 [.013] thick material. Uncrimped contact length is approximately 19.7 [0.776] not including the cut-off tab.

Wire Range mm ² / AWG	Wire Ins. Dia. mm / Inches	Material & Finish	Receptacle Part Number	
			Strip	Loose Piece
0.5-1.5 [20-16]	1.6-2.4 [.063-.094]	Brass Pre-Tin	344070-1	344995-1
2.0-3.0 [14-12]	2.6-3.4 [.102-.134]		344009-1	344993-1

Wire Seals & Cavity Plugs

(One wire seal required per contact.)

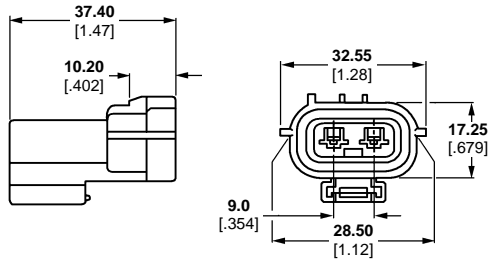


All wire seals and cavity plugs are manufactured from silicon rubber.

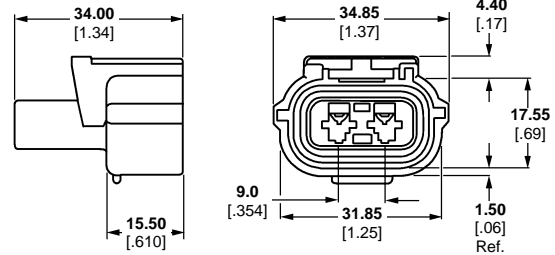
Description	Wire Range mm ² / AWG	Wire Ins. Dia. Inches / mm	Color	Part Number
Wire Seals	0.5-1.50 [20-16]	1.6-2.4 [.063-.094]	Orange	347707-1
	2.0-3.0 [14-12]	2.6-3.4 [.102-.134]	Yellow	347713-1
Cavity Plug	—	—	Gray	348462-1

Dimensional Data

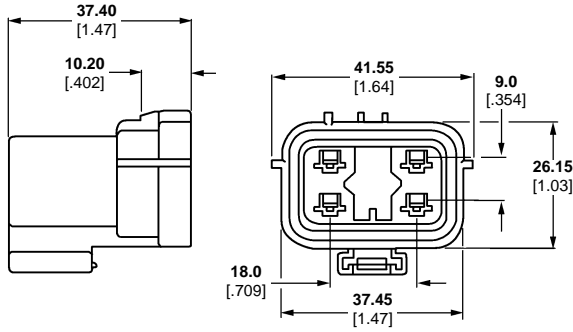
Econoseal III250 Series Wire To Wire Connectors (Continued)



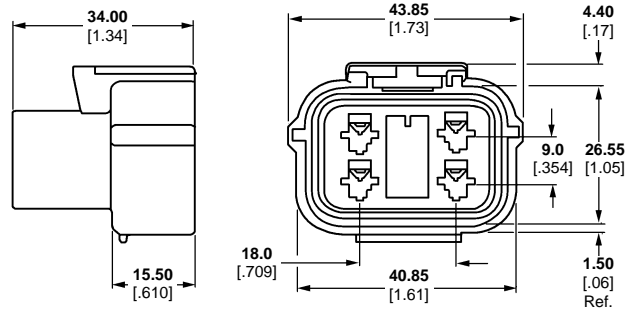
2 Position Tab Housing 344075-1



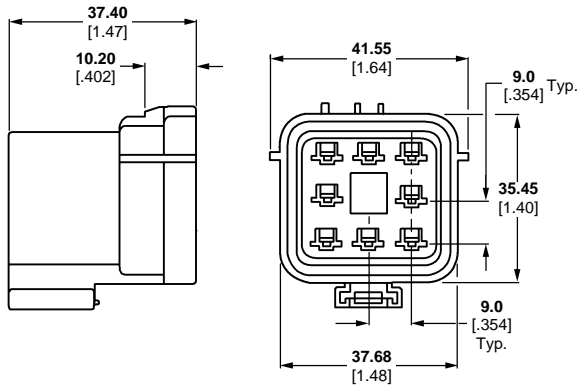
2 Position Receptacle Housing 344081-1



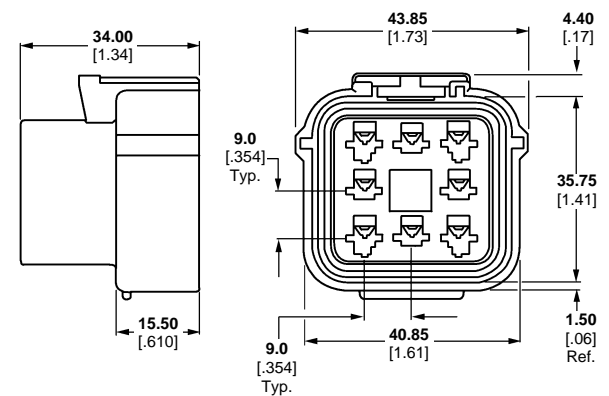
4 Position Tab Housing 344074-1



4 Position Receptacle Housing 344080-1



8 Position Tab Housing 344073-1



8 Position Receptacle Housing 344079-1

Superseal 1.5 Series . . . Wire To Wire Connectors . . . 6 mm Centers

Contacts

- 1.5 mm [.060 in.] wide tab contacts.
- Receptacle contacts are made from pre-tin plated phosphor bronze.
- Tab contacts are made from pre-tin plated brass.
- Lanceless contact design to reduce contact tangling.
- Wire range 0.3 - 2.0mm² [#22 - #14 AWG]

Wire Seals

- Silicon rubber material.
- For insulation diameters of 1.4 - 3.3 mm [.055 - .130 in.].
- Loose piece wire seals are crimped simultaneously with the contacts.

Connector Housings

- Housings and secondary locks produced from glass filled, 66 nylon.
- Single row connector configuration.
- Integral (factory installed) secondary locks.
- Resistant to ozone, salts, gasoline, diesel fuel, brake fluid, anti-freeze/coolant, transmission gear lubricant, and motor oil.
- Available in 1, 2, 3, 4, 5, and 6 position versions.

Designed for the automotive industry, Superseal connectors meet the sealing requirements outlined in IEC 529 and DIN 40050 I.P 6.7 specifications.

The cap and plug connector housings incorporate pre-assembled secondary locks to help insure correct and complete contact insertion into the housing and helps prevent the contacts from backing out during mating. The secondary lock cannot be closed if the contacts are not correctly inserted into the connector housing.

Cavity plugs are available for sealing unused connector cavities.

The double spring contact design (main spring and auxiliary anti-over-stress spring) insure low insertion and high contact forces.

Additional protective caps are available for the 2, 3,

and 5 position connectors.

Insertion and Extraction Tools

Contact Extraction Tool

P/N 784980-1

Extraction Tool For Secondary Lock Of Cap Housing

P/N 785084-1

Secondary Lock Insertion Tools For Cap Housings

- For 1 and 2 position housings P/N 785061-1
- For 3 - 6 position housings P/N 785061-2

Product Performance

Temperature Rating

-40°C to +125°C (including temperature rise due to current load).

Current Termination Resistance

3 mΩ (10mA test current).

Dielectric Strength

1.5 kVAC between adjacent contacts.

Product Documentation

Product Specification

108-20090

Application Specification

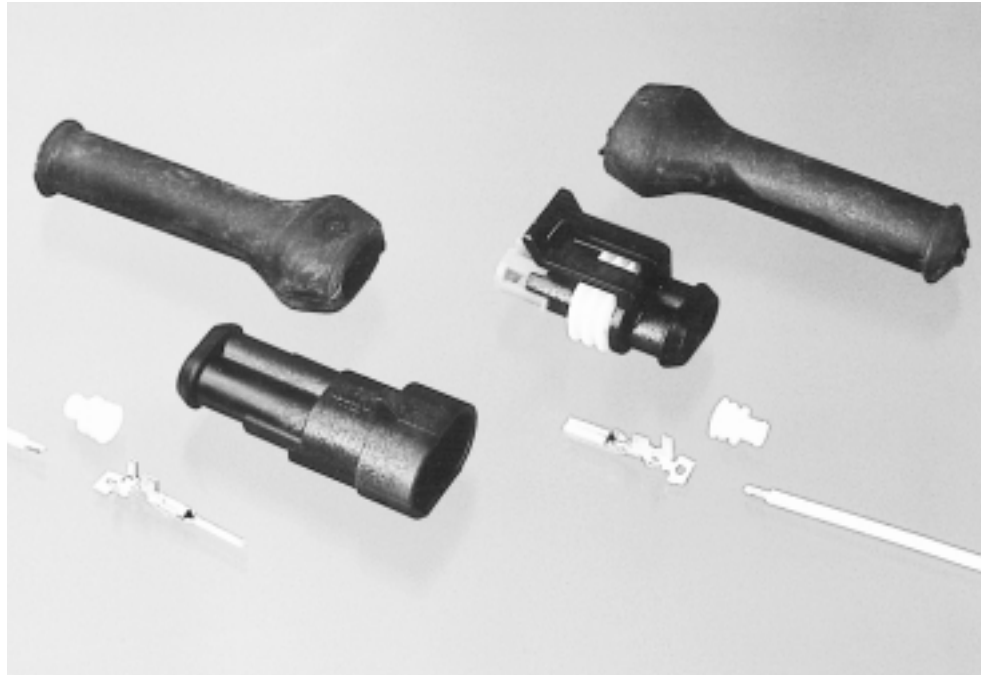
114-20045

Customer Manual

412-20000

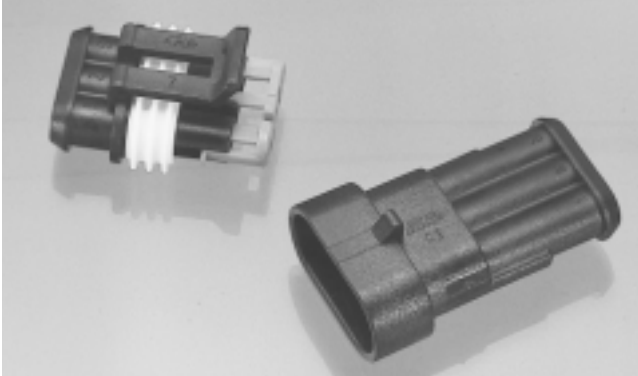
Sample Kit

889457



Superseal 1.5 Series . . . Wire To Wire Connectors . . . 6 mm Centers (Continued)

Connector Housings



Secondary locks are factory installed on all connector housings. Plug connectors include a factory installed interface seal. Connector housings and secondary locks are made from glass filled nylon.

Positions	Plug Connector Utilizes Receptacle Contacts	Cap Connector Utilizes Tab Contacts
1	282079-2	282103-1
2	282080-1	282104-1
3	282087-1	282105-1
4	282088-1	282106-1
5	282089-1	282107-1
6	282090-1	282108-1

Tab Contacts



Tab contacts are 1.5 [.059] wide by 0.8 [.032] thick. Uncrimped contact length is approximately 22.7 [.894]

Wire Range mm ² / AWG	Wire Ins. Dia. mm / Inches	Material & Finish	Tab Part Number	
			Strip	Loose Piece
0.3-0.5 [22-20]	1.4-1.7 [.055-.067]	Pre-Tin Plated Brass	282404-1	183036-1
0.5-1.5 [20-16]	1.8-3.3 [.071-.130]		282109-1	183024-1
1.5-2.5 [16-14]	1.8-3.3 [.071-.130]		282465-1	—

Receptacle Contacts



Receptacle contacts are manufactured from 0.3 [0.12] thick material, Uncrimped contact length is approximately 16.5 [.650]

Wire Range mm ² / AWG	Wire Ins. Dia. mm / Inches	Material & Finish	Rec. Part Number	
			Strip	Loose Piece
0.3-0.5 [22-20]	1.4-1.7 [.055-.067]	Pre-Tin Plated Phos. Bronze	282403-1	183035-1
0.5-1.5 [20-16]	1.8-3.3 [.071-.130]		282110-1	183025-1
1.5-2.5 [16-14]	1.8-3.3 [.071-.130]		282466-1	—

Superseal 1.5 Series . . . Wire To Wire Connectors . . . 6 mm Centers (Continued)

Wire Seals and Cavity Plugs



Wire seals and cavity plugs are manufactured from silicon rubber. One wire seal is required per contact.

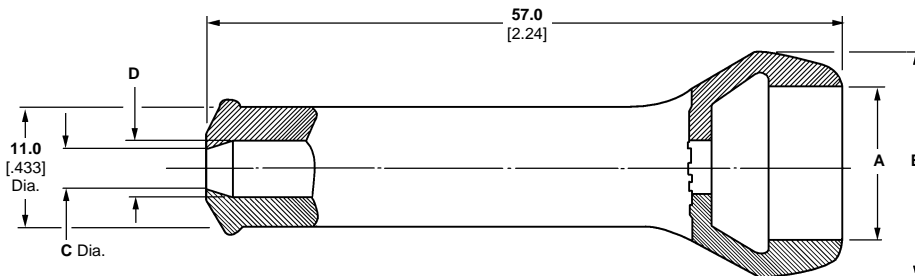
Description	Part Number	Wire Insulation Diameter mm/inches.			Seal Color
		Contact Part No.	Contact Part No.	Contact Part No.	
		Wire Size 0.3-0.5 mm ² [22-20 AWG]	Wire Size 0.5-1.5 mm ² [20-16 AWG]	Wire Size 1.5-2.5 mm ² [16-14 AWG]	
Wire Seal	281934-2	—	1.8-2.4 [.071-.094]	1.8-2.4 [.071-.094]	Yellow
	281934-3	—	2.6-3.3 [.102-.130]	2.6-3.3 [.102-.130]	Red
	281934-4	1.4-1.7 [.055-.067]	—	—	Green
Cavity Plug	282081-1	—	—	—	Red

Rubber Boots



Connector Housing Part No.	Description	Positions	Rubber Boot	Color
282080-1	Plug housing	2	880810-1	Black
282104-1	Cap Housing			
282087-1	Plug housing	3	880811-2	
282105-1	Cap Housing			
282089-1	Plug housing	5	880814-1	
282107-1	Cap Housing			

Rubber Boots . . . Dimensional Data

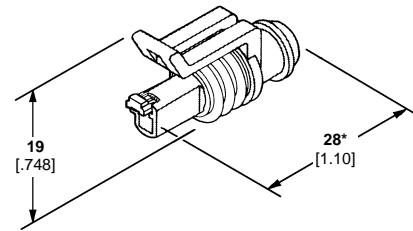
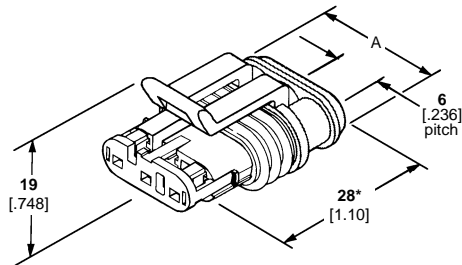


Boot Part Number	Number of Wires	Dimension "A"		Dimension "B"		Dimension "C"		Dimension "D"	
		mm	in.	mm	in.	mm	in.	mm	in.
880810-1	2	12.5	[.492]	20.5	[.807]	4.6	[0.18]	5.0	[0.20]
880811-2	3	17.5	[.689]	25.5	[1.004]	4.6	[0.18]	5.0	[0.20]
880814-1	5	27.5	[1.083]	35.0	[1.378]	6.5	[0.26]	7.0	[0.28]

Super Seal 1.5 Series ... Wire To Wire Connectors ... Dimension Data (Continued)

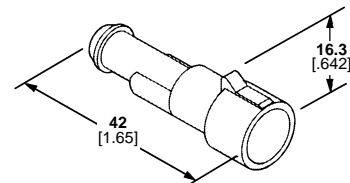
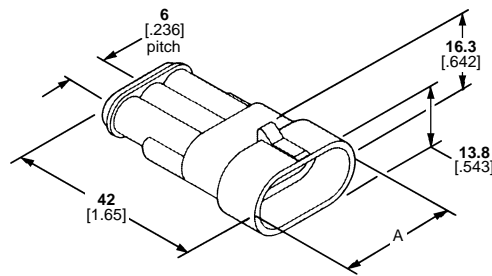
Plug Connectors

Positions	Part Number	Dimension "A"	
		mm	in.
1	282079-2	9.3	[.366]
2	282080-1	15.3	[.602]
3	282087-1	21.3	[.839]
4	282088-1	27.3	[1.07]
5	282089-1	33.3	[1.31]
6	282090-1	39.3	[1.55]

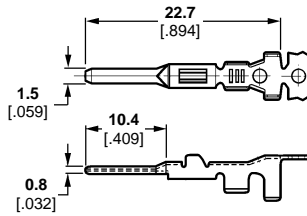


Cap Housing

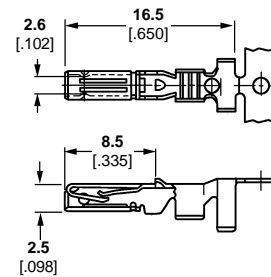
Positions	Part Number	Dimension "A"	
		mm	in.
1	282103-1	13.8	[.543]
2	282104-1	19.8	[.780]
	282105-1	25.8	[1.02]
4	282106-1	31.8	[1.25]
5	282107-1	37.8	[1.49]
6	282108-1	43.8	[1.72]



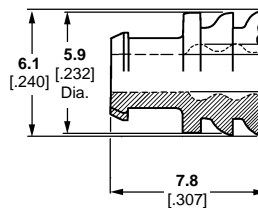
Tab Contacts



Receptacle Contacts



Wire Seal



Mini MULTILOCK Wire to Wire Connector

Contacts

- 0.8 mm [.031 in.] wide tab contacts.
- Tab contacts are made from pre-tin plated brass.
- Receptacle contacts are made from pre-tin plated phosphor bronze.
- Lanceless contact design to eliminate tangling.
- Wire range 0.3 - 0.5 mm² [#22 - #20 AWG].

Wire Seals

- A poke through (matte) wire seal design
- For insulation diameters 1.4 - 1.7 mm [.055 - .067 in.].
- Seal material is NBR.

Connector Housings

- Connector housings produced from green, glass filled PBT.
- Currently available only as a seven position connector.
- Cavity plugs are available to seal unused connector cavities.
- Easy inspection for improperly inserted contacts



AMP Mini MULTILOCK is among the worlds smallest waterproof connector systems. Originally designed for use with the rotary driving circuits of automobile door mirror units, they are suitable for most applications requiring small, water resistant connectors.

Assembly is simplified with the use of snap in crimp contacts and poke through wire seals. All seals are pre-loaded into the connector housings.

The connector housings are designed to prevent incorrect contact insertion. When contacts are properly inserted into the connector housing they produce an audible click to indicate the contact has been oriented correctly and completely inserted.

Cavity plugs are available to seal unused connector cavities for applications in which not all seven connector circuits are required.

All seals and sealing surfaces are located inside of the connector housing to help eliminate possible damage during handling.

Product Performance

Temperature Rating

-40° to 105° C. (including temperature rise due to current load).

Termination Resistance

10 m Ω (Initial)
20 m Ω (Final)

Dielectric Withstanding Voltage

1.0 kVAC for one minute.

Current Guidelines

See page 11 of product specification 108-5426 for information.

Product Documentation

Product Specification

108-5426

Application Specification

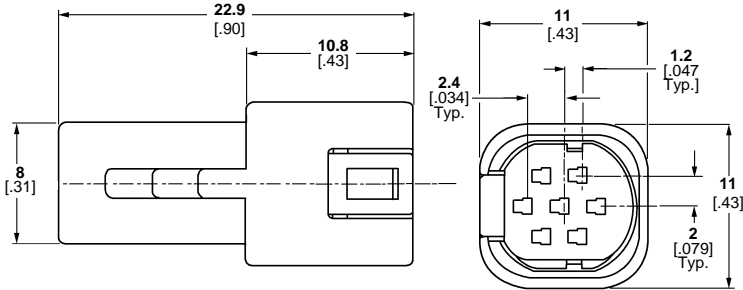
114-5193

Customer Manual

412-5653

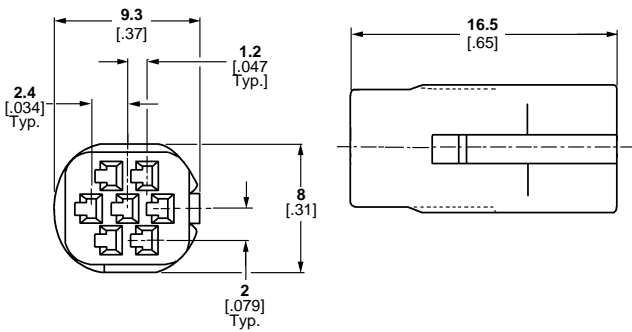
Mini MULTILOCK Connectors (Continued)

Seven Position Cap Housing . . . Use With Tab Contact 917309-1



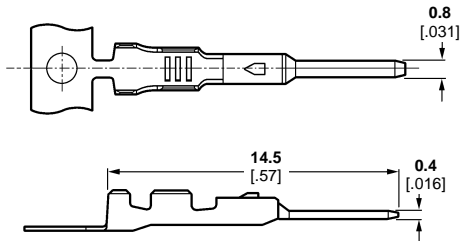
Part Number	Material	Color
917319-4	Glass Filled PBT	Green

Seven Position Plug Housing . . . Use With Receptacle Contact 917308-1



Part Number	Material	Color
917318-4	Glass Filled PBT	Green

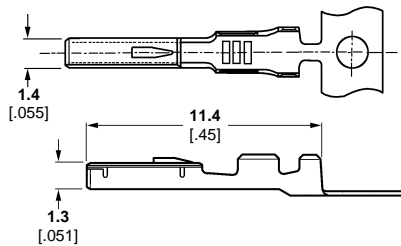
Tab Contact (available in strip form only) . . . Use With Cap Housing 917319-4



Tab contacts are manufactured from 0.2 [.008] thick material

Part Number	Wire Range mm ² /AWG	Wire Ins. Dia. mm/inches	Material & Finish
917309-1	0.3-0.5 [#22-20]	1.4-1.7 [.055-.067]	Brass Pre-Tin Plated

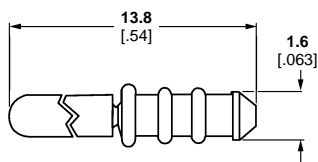
Receptacle Contact (available in strip form only) . . . Use With Plug Housing 917318-4



Receptacle contacts are manufactured from 0.2 [.008] thick material.

Part Number	Wire Range mm ² /AWG	Wire Ins. Dia. mm/inches	Material & Finish
917308-1	0.3-0.5 [#22-20]	1.4-1.7 [.055-.067]	Phosphor Bronze Pre-Tin Plated

Cavity Plug



Part Number	Material	Color
316390-7	PBT	Yellow

Two Position .187 Series Sealed Connector

Contacts

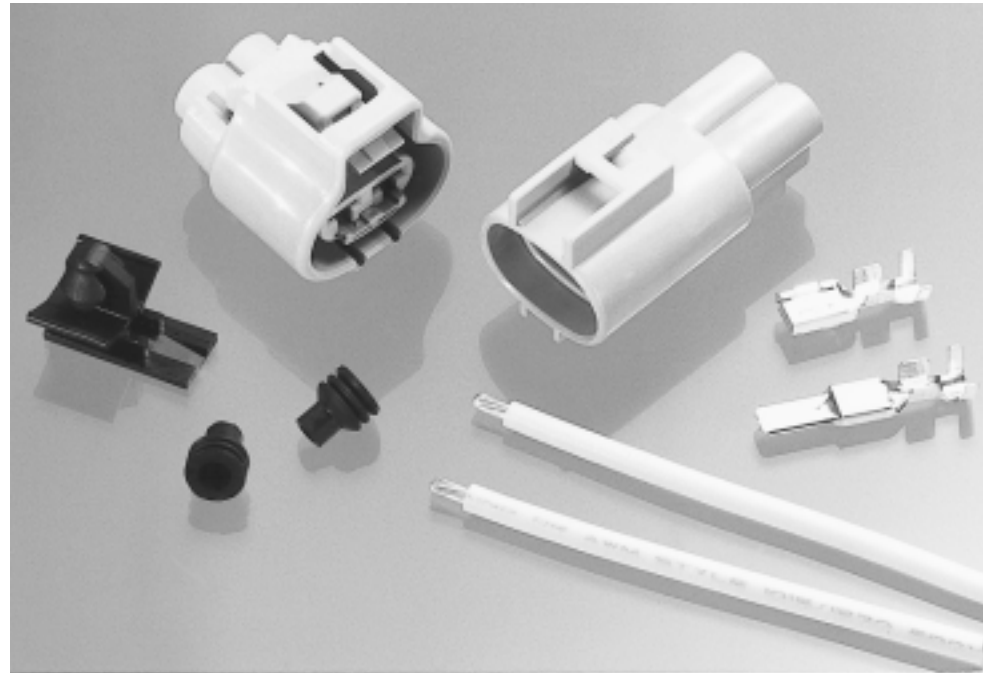
- .187 Series contacts
4.8 mm [.187 in.] tab
contact width
- Tab and receptacle contacts
are manufactured from
pre-tin plated brass
- Lanceless contact design to
reduce contact tangling
- Wire range 0.5 - 3.0 mm²
[#20 - #12 AWG]

Wire Seals

- Seals are produced from
NBR material
- Loose piece seals are
applied to the wire simul-
taneously with the contact
- For wire insulation
diameters of 1.8 - 3.8 mm
[.071 - .150 in.]

Connector Housings

- Produced from PBT
material
- Protected locking lever
- Integral secondary locking
mechanism



The AMP .187 Series Sealed Connector was originally developed for use in automotive engine compartments (specifically the cooling fan). This connector is suitable for use in most applications requiring a robust connector design along with waterproof protection.

Waterproof protection is provided by individual wire seals which are inserted over the wire prior to crimping the contact. The wire seal is crimped simultaneously with the insulation support of the contact.

The plug housing includes a factory installed interface seal for sealing against the cap housing.

Connector housings incorporate pre-assembled secondary locks to increase contact retention and reduce the possibility of contact damage during mating or unmating.

All sealing surfaces are located inside of the connector housing to help eliminate the possibility of damage during handling.

Product Performance

Temperature Rating

Temperature range -30° to 105° C.
(including rise due to current load).

Termination Resistance

3 mΩ (Initial)
10 mΩ (Final)

Dielectric Withstanding Voltage

1.0 kVAC between adjacent contacts.

Current Guidelines

See page 3 of product specification
108-5294 for information.

Product Documentation

Product Specification

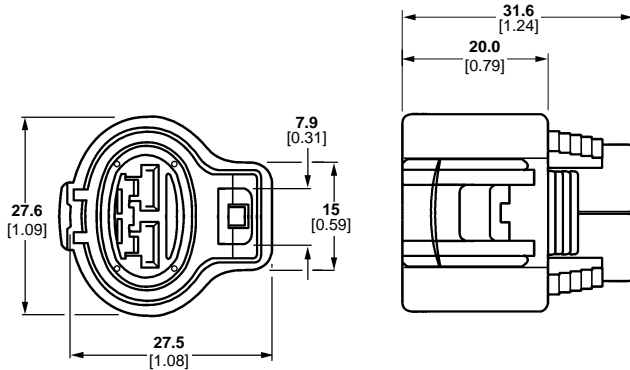
108-5294

Application Specification

114-5126

Two Position .187 Series Sealed Connector (Continued)

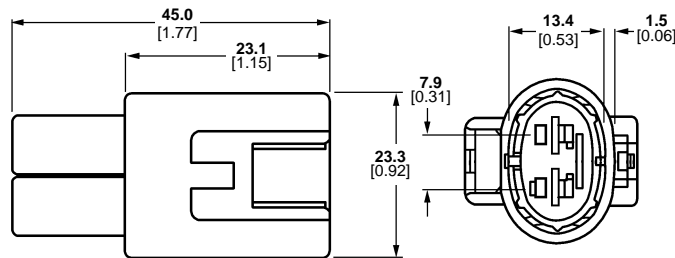
Plug Housing . . . Use With Receptacle Contacts



Includes factory installed silicon rubber interface seal.

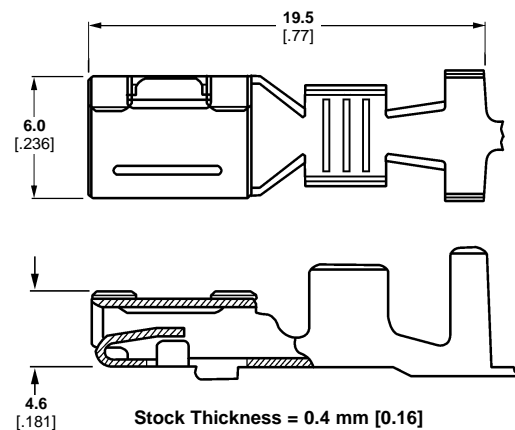
Part Number	Material	Color
6-176146-6	PBT	Light Gray

Cap Housing . . . Use With Tab Contacts



Part Number	Material	Color
6-176143-6	PBT	Light Gray

Receptacle Contact (available in strip form only) . . . Use With Plug Housing

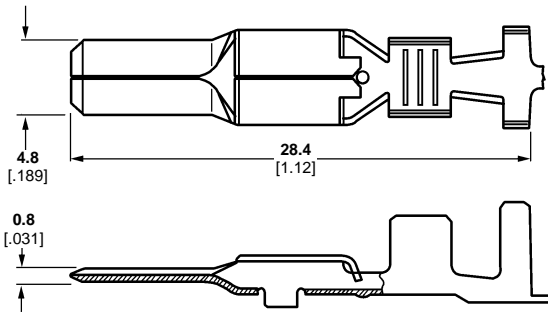


Receptacle contacts are manufactured from 0.40 [.016] thick material.

Part Number	Wire Range mm ² /AWG	Wire Ins. Dia. mm/inches	Material & Finish
175090-1	0.5-1.25 [20-16]	2.0-2.7 [.079-.106]	Pre-Tin Plated Brass
175091-1	2.0-3.0 [14-12]	2.9-3.8 [.114-.150]	

Two Position .187 Series Sealed Connector (Continued)

Tab Contact (available in strip form only) . . . Use With Cap Housing

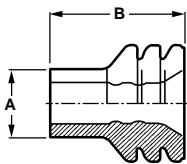


Stock Thickness = 0.4 [0.16]

Tab contacts are manufactured from 0.4 [.016] thick material.

Part Number	Wire Range mm ² /AWG	Wire Ins. Dia. mm/inches	Material & Finish
175087-1	0.5-1.25 [20-16]	2.0-2.7 [.079-.106]	Pre-Tin Plated Brass
175088-1	2.0-3.0 [14-12]	2.9-3.8 [.114-.150]	

Wire Seals



Wire Range mm ² /AWG	Wire Insulation Diameter mm/Inches	Material & (Color)	Dim. "A" mm/Inches	Dim. "B" mm/Inches	Use With Contact	Part Number
0.5-1.25 [20-16]	2.0-2.7 [.079-.106]	NBR Gray	7.9 [.311]	9.1 [.358]	175087-1 or 175090-1	85024-1
2.0-3.0 [14-12]	2.9-3.8 [.114-.150]	NBR Black	7.9 [.311]	9.0 [.354]	175088-1 or 175091-1	85011-1

Superseal Connectors . . . For Wire To Device Applications . . . 3.5 mm Centers

Contacts

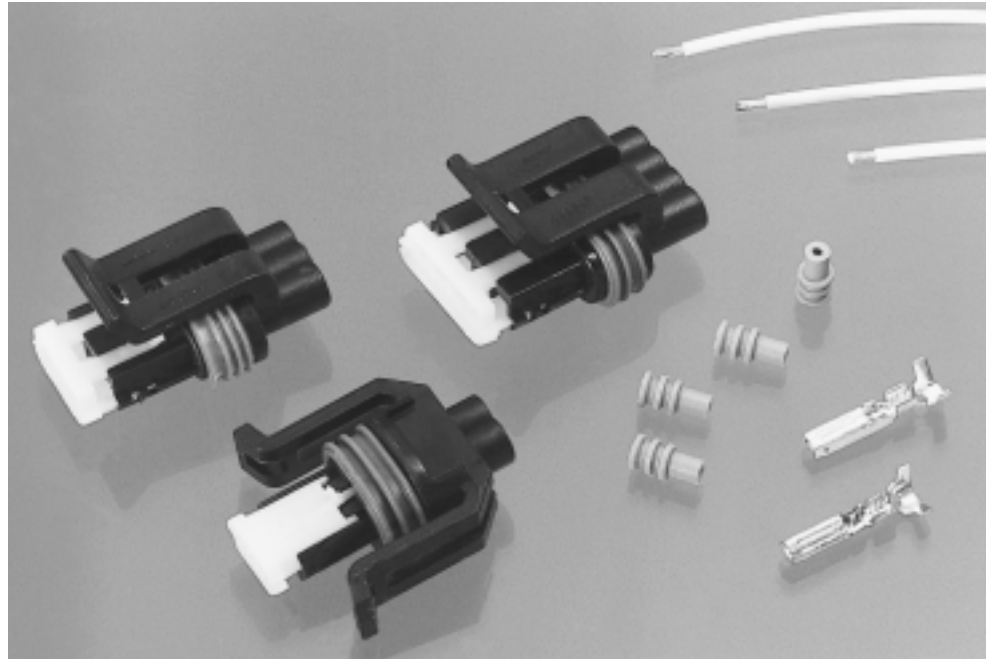
- Receptacle contacts are pre-tin plated phosphor bronze.
- Designed to mate with 1.5 mm [.059 in.] wide x 0.8 mm [.031 in.] thick tab contacts.
- Lanceless contact design to reduce contact tangling.
- Wire range 0.5 - 1.0 mm² [#20 - #18] AWG.

Wire Seals

- Silicon rubber material.
- For insulation diameters of 1.4 - 2.1 mm [.055 - .083 in.].
- Loose piece wire seals are crimped simultaneously with the contacts.

Connector Housings

- Available only as a plug connector. The tab contact must be molded into the customer's device. Interface requirements can be provided upon request.
- Housings and secondary locks produced from glass filled, 66 nylon.
- Single row connector configuration.
- Integral (factory installed) secondary locks.
- Available in 2, 3, and 4, position versions.



These connectors were originally designed to mate with a Packard, Metri-Pack™ 150 Series interface for fuel injection applications. Similar in design to the Superseal 1.5 Series product family, this connector offers the same basic features except the contacts are located on a 3.5 [0.138] centerline instead of the 6.0 [.236] pitch found used on the 1.5 Series Connector.

Currently available only in a plug connector version, this connector requires the tab contacts be molded into the mating device. Interface requirements can be provided for the mating connection.

Waterproof protection is provided by individual wire seals which are inserted over the wire then crimped simultaneously with the insulation barrel of the receptacle contact.

The connector housing incorporates a pre-assembled secondary lock to help insure correct and complete contact insertion into the housing and helps prevent contact back out during connector mating.

Product Performance

Temperature Rating

-30⁰ to 105⁰ C. (including temperature rise due to current load).

Contact Termination Resistance

3 mΩ Max (Initial)

Dielectric Withstanding Voltage

1.0 kVAC between adjacent contacts.

Current Guidelines

See page 4 of product specification 108-37021.

Product Documentation

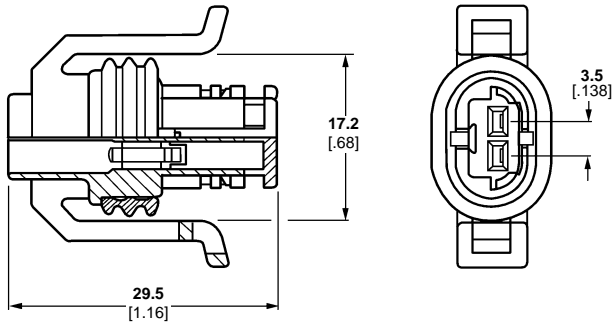
Product Specification

108-37021

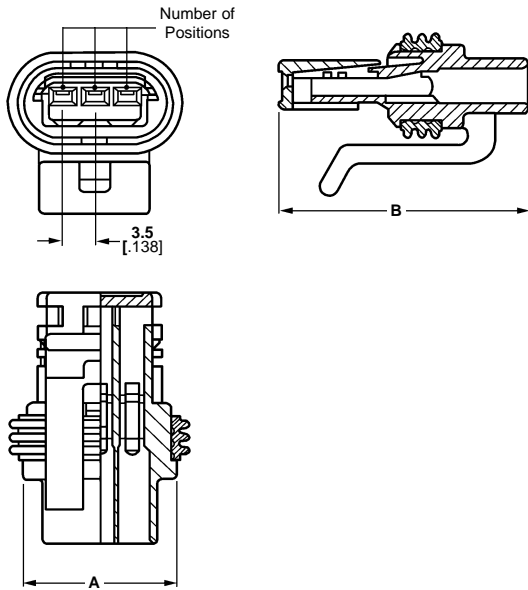
Superseal Connectors ... For Wire To Device Applications ... 3.5 mm Centers (Continued)

Connector Housings

Connector housings and secondary lock plates are made from glass filled, 66 nylon. Housings are black with yellow lock plates. The factory installed interface seal is a yellow silicon rubber.



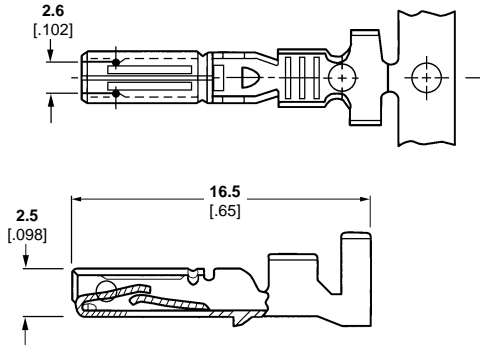
Two Position Connector
Part Number 444040-2



Part Number	Positions	Dim. "A" mm ² /inches	Dim. "B" mm/inches	Dim "C" mm/inches
444043-1	3	17.2 [.68]	29.5 [1.16]	9.3 [.35]
444046-1	4	20.7 [.81]	30.1 [1.19]	9.3 [.37]

Superseal Connectors . . . For Wire To Device Applications . . . 3.5 mm Centers (Continued)

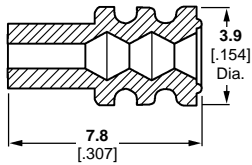
Receptacle Contact (available in strip form only)



Receptacle contacts are manufactured from 0.3 [.012] thick material.

Part Number	Wire Range mm ² /AWG	Wire Ins. Dia. mm/inches	Material & Finish
282438-1	0.5-1.0 [20-18]	1.4-2.1 [.055-.083]	Pre-Tin Plated Phosphor Bronze

Wire Seal



Part Number	Wire Range mm ² /AWG	Wire Ins. Dia. mm/inches	Material & Finish
963530-1	0.5-1.0 [20-18]	1.4-2.1 [.055-.083]	Silicon Rubber

Sealed Micro-Quadlock-System (MQS) Connectors . . . For Wire To Device Applications

Contacts

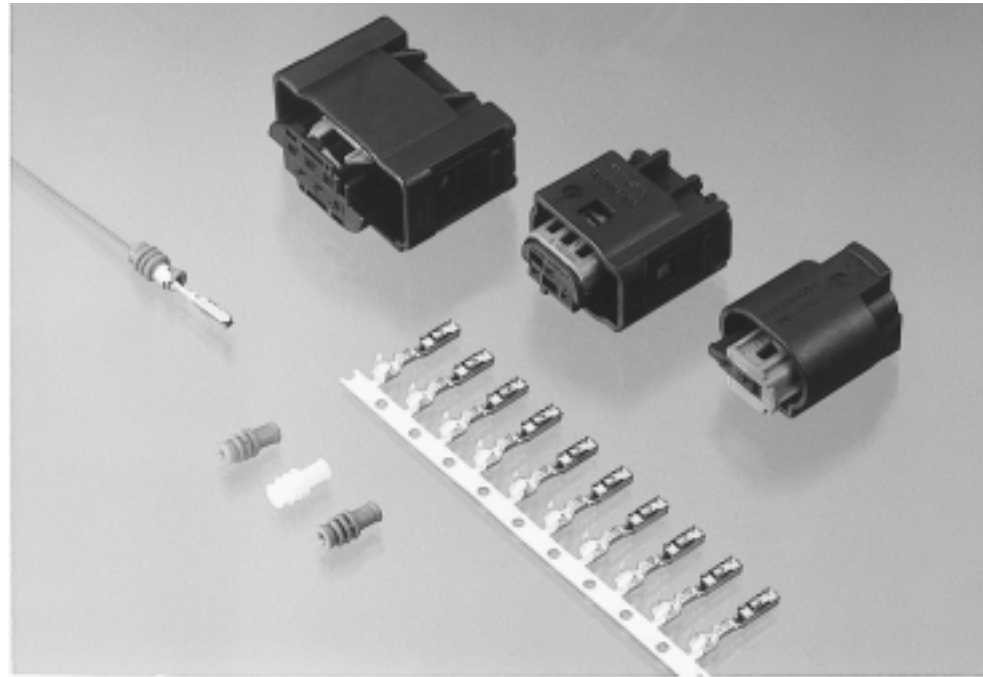
- Mates with a .63 mm [.025 in.] square post.
- Receptacle contacts are available with tin or gold plating.
- Rugged two piece construction with stainless steel jacket allows use of optimized CuNiSi contact material.
- Incorporates four points of contact with the post.
- Wire range 0.20 - 0.75 mm² [#24 - #18] AWG.

Wire Seals

- Made from silicon rubber material.
- Wire seal is crimped simultaneously with the receptacle contact.
- For wire insulation diameters of 0.9 - 1.9 mm [.035 - .075 in.]

Connector Housings

- Currently available in 2, 3, 4, and 6 position versions. Designs are available for 8 and 12 position versions.
- Cavity plugs are available for unused connector cavities.
- Circuit entries are completely closed.
- Includes a pre-assembled lock plate and peripheral seal.



AMP Micro-Quadlok-System Sealed Connectors have been developed for use in automobile engine compartments including direct mounting to on-engine devices. They offer one of the most compact packages available today with capability for waterproofing and resistance to conditions of extreme vibration.

Waterproofing is achieved with individual wire seals that can be automatically applied during the crimping process. Interfacial sealing is achieved by radial sealing of a multiple ridge design.

Vibration resistance is achieved with a four beam, four contact point system.

A high primary terminal locking force, for such a small size system, is achieved by the use of a stainless steel metal locking lance. The stainless steel jacket also helps to prevent damage to the small contacts and allows selection of a more optimal

material for electro-mechanical performance of the contact beams. Secondary locking is provided by a pre-assembled plastic device.

While only the 2, 3, 4, and 6 position versions are currently available for general sale, other customer specific designs are available (8 and 12) for the needs of specific OEM customers and the possible release of new parts for general sales. Designs also exist in many cases for free hanging wire mating components.

Information is available to assist vendors in developing appropriate mating interfaces when the AMP mating part is specified

Product Performance

Temperature Rating

-40^o to 120^o C. for tin plating.
-40^o to 140^o C. for gold plating.

Contact Termination Resistance

3 mΩ (Initial)

Contact Retention in Housing

60N Minimum, primary and secondary separately.

Current Guidelines

0.5 mm² wire
5 Amps Maximum
0.75 mm² wire
7.5 Amps Maximum

Product Documentation

Product Specification

108-18272
108-18030

Application Specification

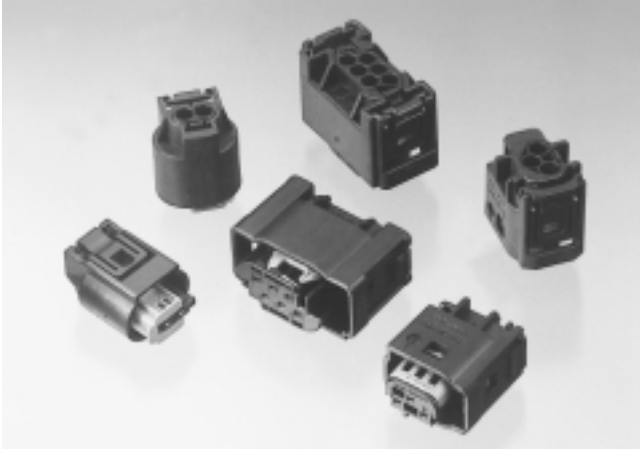
114-18025

Chart Drawings

116-18000-200 (Receptacles)
116-18000-201 (Pins)

Sealed Micro-Quadlock-System (MQS) Connectors . . . For Wire To Device Applications (Continued)

Plug Housings



Connector housings are made from PBT material with a silicon rubber interface seal

Positions	Keying Option	Housing Color	Part Number
2	A	Black	1-967644-1
	B	Gray	2-967644-1
3	A	Black	1-967642-1
	B	Gray	2-967642-1
4	A	Black	1-967640-1
	B	Gray	2-967640-1
6	A	Black	1-967616-1
	B	Gray	2-967616-1
8	A or B	See Note	
12	A or B	See Note	

Note: Part numbers for the 8 and 12 position versions are not yet released, contact AMP Incorporated for current product status.

Receptacle Contacts and Wire Seals



Contacts available in strip form only. Wire seals and cavity plugs are made from silicon rubber.

Wire Range mm ² / AWG	Insulation Diameter mm/Inches	Wire Seal Part Number	Contact Finish	Contact Part Number
0.2-0.5 [#24-20]	0.9-1.4 [.035-.055]	967067-2	Pre- Tin	962885-X
	1.4-1.9 [.055-.075]	967067-1	Gold	962885-X
0.75 [#18]	1.4-1.9 [.055-.075]	967067-1	Pre- Tin	965906-X

Use cavity plug part number 967056-1 to seal empty circuit cavities.

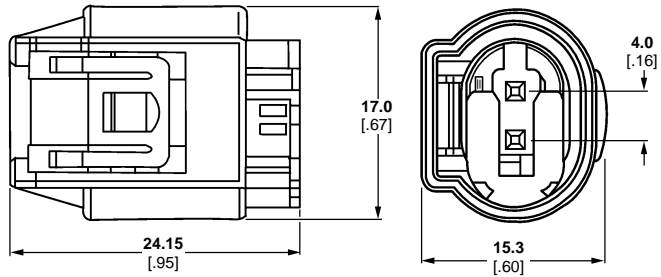
X = -1 for tin
X = -5 for gold

Note: All terminal part numbers are located on one table drawing, please order 116-18000-200 when ordering customer drawings.

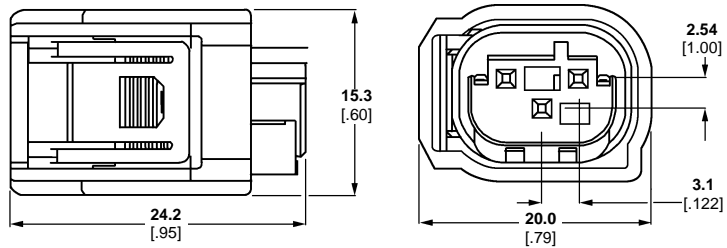
Sealed Micro-Quadlock-System (MQS) Connectors . . .
For Wire To Device Applications (Continued)

Dimensional Data

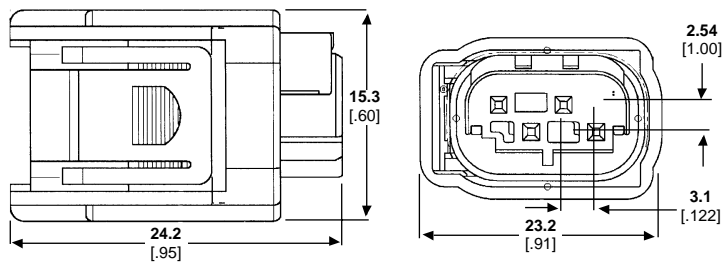
2 Position Plug Housings



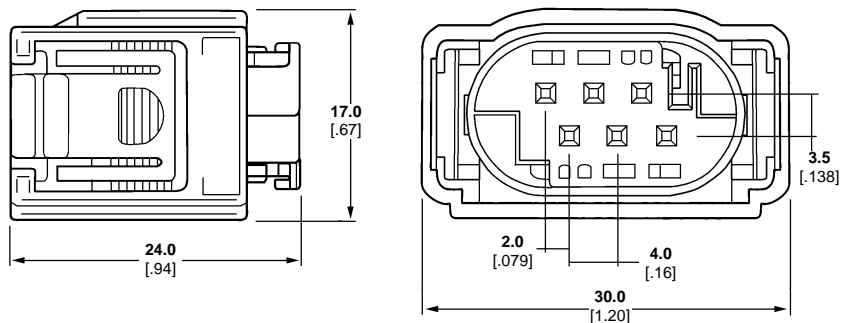
3 Position Plug Housings



4 Position Plug Housings



6 Position Plug Housings



Sealed Circular Connectors . . . 2.5mm and 1.5mm Systems

Contacts

- Available in 1.5 mm [.059 in.] and 2.5 mm [.098 in.] pin diameters.
- Available with either tin, silver or gold plating.
- Rugged two piece construction with stainless steel jacket allows the use of optimized (CuNiSi) contact material.
- Six points of contact (2.5 mm System) and five points of contact (1.5 mm System)
- 2.5 mm System wire range 0.2 - 2.5 mm² [#24 - #14] AWG.
- 1.5 mm System wire range 0.2 - 2.5 mm² [#24 - #14] AWG.

Wire Seals

- Made from silicon rubber material.
- Wire seal is crimped simultaneously with the contact.
- 2.5 mm System accommodates insulation diameters of 1.2 - 3.0 mm [.047 - .118 in.].
- 1.5 mm System accommodates insulation diameters of 1.2 - 3.0 mm [.047 - .118 in.].

Connector Housings

- Made from glass filled PBT material.
- 2.5 mm System will mate to customer interfaces made per DIN 72585.
- Pre-assembled interface and panel mounting seal.
- The 2.5 mm System is available in 4 position or in 2 and 3 positions with blocked cavities. Four keying options are available per position size.
- The 1.5 mm System is available only in a 7 position version.



AMP in conjunction with major European truck manufacturers has developed a standard system of circular sealed connectors to meet the demand for superior performance under environments of extreme vibration, physical shock and temperature change. Typical applications include magnetic valves, sensors for ABS and powertrain management (including direct engine mounting) and lighting.

The 2.5 mm System uses a standard outer shell which can be supplied in either 2 or 3 position versions with the extra cavities blocked or in a 4 position version. Each position size is available with four different keying options that are designated by color code. The 1.5 mm System uses the same outer shell but is available only in a 7 position version.

The shell standardization allows the use of the same

back shells for all parts. Back shells are available in 90° and 180° wire exit versions with the options for mounting 8.5 mm or 10 mm convoluted tubing or the use of our adjustable strain relief feature on the free wire version.

The housings are available as free hanging male and female connectors or for mating to a customer supplied pin interface according to DIN 72585, Part 1 (ISO 15170 pending). The free hanging pin housing is also suitable for through panel mounting and is supplied with a pre-assembled seal for panel sealing. The actual mounting is achieved with the use of a separately available locking ring.

Terminal construction is of a two piece design to allow optimization of electrical and mechanical performance. An outer stainless steel jacket provide protection against handling damage.

Product Performance

Temperature Rating

For tin plating -40° to 130° C
For silver plating -40° to 140° C
For gold plating -40° to 150° C

Dielectric Strength

1.0 KVAC between adjacent contact or to shell

Contact Termination Resistance

5 mΩ Max. (Initial)
10 mΩ Max. (Final)

Current Guidelines (Map Wire Size)

2.5 mm . . . 30 amps Max.
1.5 mm . . . 25 amps Max.
(Using the maximum wire size at 23°C)

Product Documentation

Product Specification

108-18621
108-18027, DIN 72585 (2.5 mm)
108-18028 (1.5 mm)

Application Specification

114-18255
114-18020 (2.5 mm)
114-18040 (1.5 mm)

Sealed Circular Connectors . . . 2.5mm and 1.5mm Systems (Continued)

Connector Housings



2.5 mm housings require 2.5 mm contacts. 1.5 mm housings require 1.5 mm contacts. Use cavity plug part number 828922-1 to seal unused connector cavities.

Connector Type	Positions	Pin Housing Part Number	Socket Housing Part Number
2.5 mm	2	1-967402-3	1-967325-3
	3	1-967402-2	1-967325-2
	4	1-967402-1	1-967325-1
1.5 mm	7	967447-1	967650-1

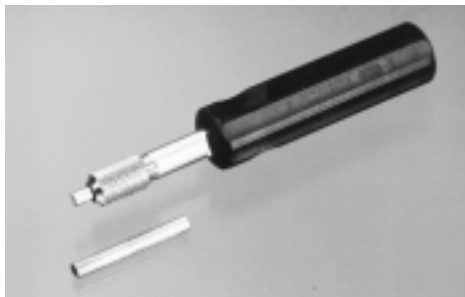
Keyed versions of the 2.5 mm housings are available, call AMP Incorporated for additional information

Accessories



Description	Part Number
Mounting Ring for Pin Housing	965687-1
Right Angle Cover with Universal Clamp	965576-1
Straight Cover with Universal Clamp	965784-1
Right Angle Cover for NW 8.5 mm Diameter Corrugated Tubing	965577-1
Right Angle Cover for NW 10 mm Diameter Corrugated Tubing	965783-1
Straight Cover for NW 8.5 mm Diameter Corrugated Tubing	965785-1
Straight Cover for NW 10 mm Diameter Corrugated Tubing	965786-1

Tools



Description	Part Number
Extraction Tool for 1.5 mm Contacts	518082-1
Spare Tube for 1.5 mm Contacts	548551-1
Extraction Tool for 2.5 mm Contacts	872070-1
Spare Tube for 2.5 mm Contacts	872992-1
Terminal Mounting Tool (for 0.2-1.0 mm ²)	965702-1

Sealed Circular Connectors . . . 2.5mm and 1.5mm Systems (Continued)

All contacts listed below are tin plated. Please refer to the customer drawing for additional plating options or call 1-800-522-6752 for more information.

2.5 mm Socket Contacts and Wire Seals



Wire Size		Insulation Diameter		Contact Part Number		Wire Seal
mm ²	AWG	mm	in.	On Strip	Loose Piece	
0.2-0.4	24-22	1.2-2.1	.047-.083	929973-1	962980-1	828920-1
0.5-1.0	20-18	1.2-2.1	.047-.083	929974-1	962981-1	828920-1
>1.0-2.5	16-14	2.2-3.0	.087-.118	929975-1	962982-1	828921-1

2.5 mm Pin Contacts and Wire Seals



Wire Size		Insulation Diameter		Contact Part Number		Wire Seal
mm ²	AWG	mm	in.	On Strip	Loose Piece	
0.2-0.4	24-22	1.2-2.1	.047-.083	929966-1	962970-1	828920-1
0.5-1.0	20-18	1.2-2.1	.047-.083	929967-1	962971-1	828920-1
>1.0-2.5	16-14	2.2-3.0	.087-.118	929968-1	962972-1	828921-1

1.5 mm Socket Contacts and Wire Seals



Wire Size		Insulation Diameter		Contact Part Number		Wire Seal
mm ²	AWG	mm	in.	On Strip	Loose Piece	
0.2-0.4	24-22	1.2-2.1	.047-.083	929988-1	962997-1	828904-1
0.5-1.0	20-18	1.2-2.1	.047-.083	929989-1	962998-1	828904-1
>1.0-2.5	16-14	2.2-3.0	.087-.118	929990-1	962999-1	828905-1

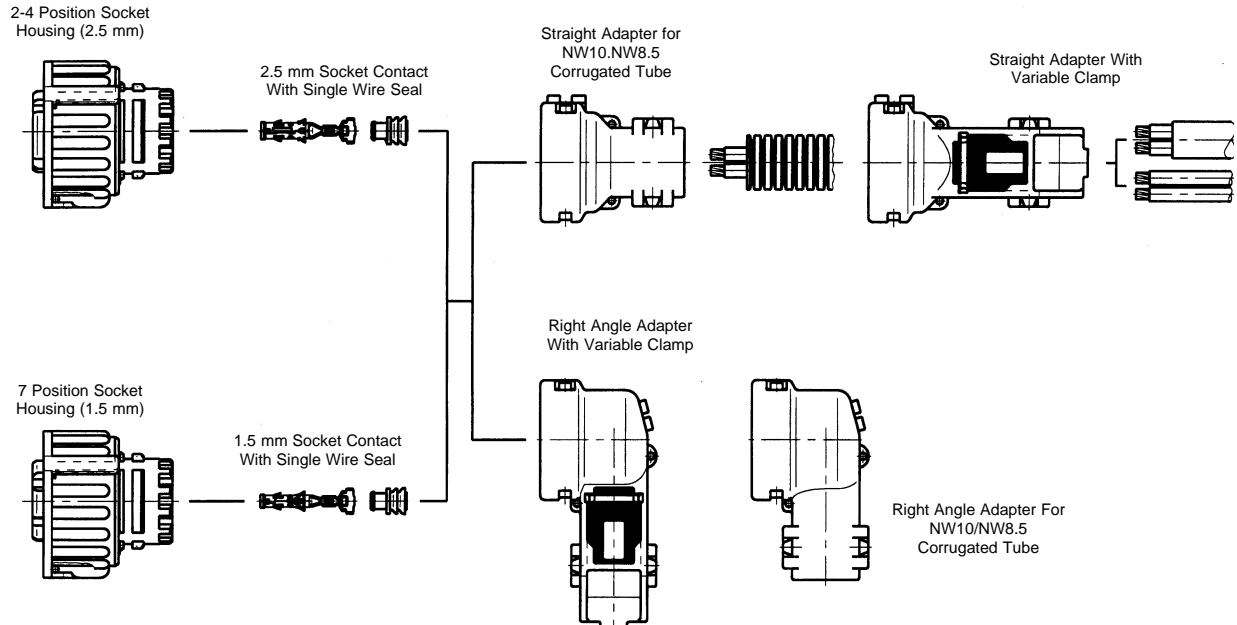
1.5 mm Pin Contacts and Wire Seals



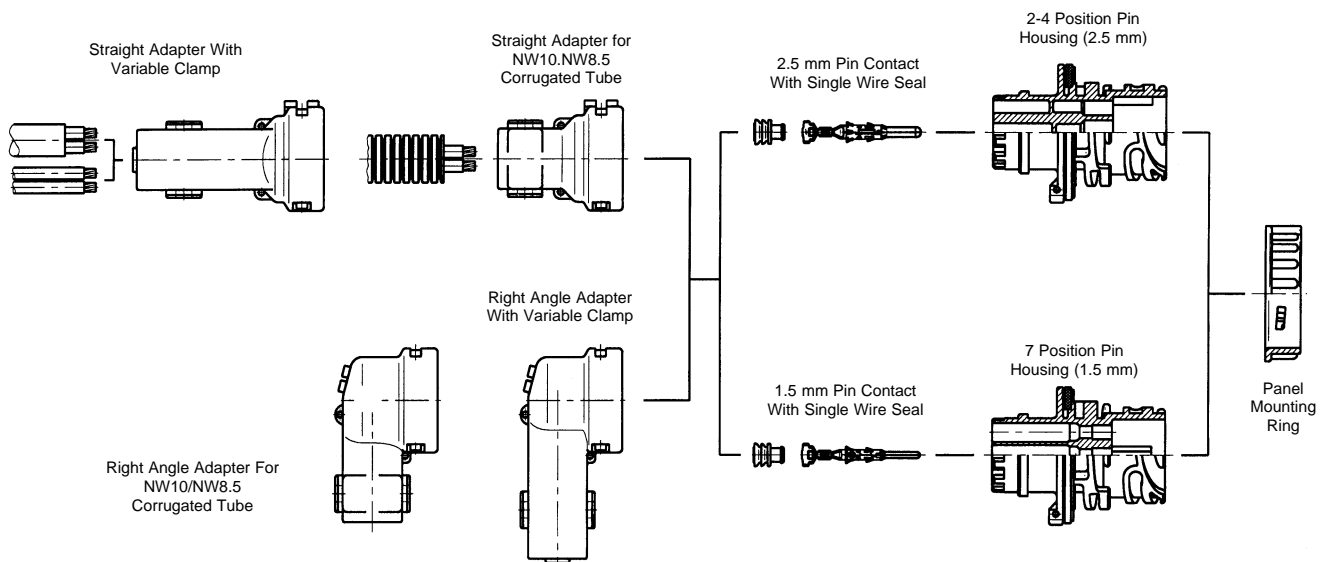
Wire Size		Insulation Diameter		Contact Part Number		Wire Seal
mm ²	AWG	mm	in.	On Strip	Loose Piece	
0.2-0.4	24-22	1.2-2.1	.047-.083	929982-1	962991-1	828904-1
0.5-1.0	20-18	1.2-2.1	.047-.083	929983-1	962992-1	828904-1
>1.0-2.5	16-14	2.2-3.0	.087-.118	929984-1	962993-1	828905-1

Sealed Circular Connectors . . . 2.5mm and 1.5mm Systems (Continued)

Socket Connector Assembly



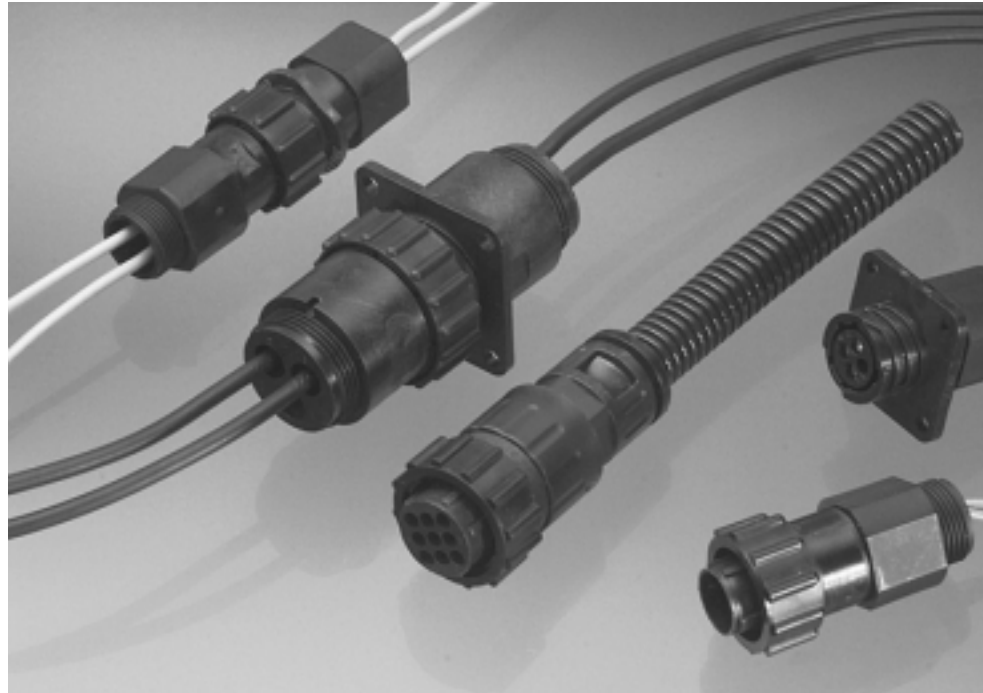
Pin Connector Assembly



Sealed Circular Plastic Connectors

Product Facts

- Economical environmentally sealed connector designed for industrial applications
- Meets major Industrial Standards
- High strength, impact resistant thermoplastic housing, rated UL 94V-0
- Contains wire entry, peripheral, and full interfacial seals
- AMP POWERBAND precision formed power contact (Series 5 and 6)
- Type III+ precision formed signal/low current contacts (Series 6)
- Other configurations in Series 1 can be made available, contact your local AMP Sales Engineer or AMP



Sealed CPC connectors are the latest additions to the growing family of AMP Circular Plastic Connectors. Sealed CPC connectors were developed as part of the Series 5 and 6 product line, specifically to meet the increasing demand for an economical environmentally sealed connector.

Sealed CPC connectors are designed to meet the requirements of UL, CSA, and VDE for environmentally sealed connectors used in industrial applications.

In addition, sealed CPC connectors are designed to meet the latest SAE and ASAE requirements as outlined in the standards listed here.

Sealed CPC connectors incorporated the latest technology in thermoplastic design and use the new AMP POWERBAND precision formed high current contact.

Illustrated above are the Series 5 (power) and Series 6 (power/signal mix) sealed

connector configurations. Other sizes are available in a Series 1 (signal/low current) configuration. Contact your local AMP Sales Engineer, or call AMP for the latest design information.

Industry Standards:

Sealed CPC connectors meet or are currently being tested to—

- SAE— J2030
- ASAE— EP455
- IP— 65, 66, 67
- UL— 498
- NEMA— Class 4

Performance Characteristics:

Operating Temperature Range—
-50°C - 125°C

Voltage Rating—
Series 5 600 V (AC or DC)
Series 6 250 V (AC or DC)

Power Contact
.125 POWERBAND 45 amps, single contact rating at 30°C T-Rise
Type III+ Contacts —
13 amps., single contact rating at 30°C T-Rise

Flammability Rating—
UL 94V-0 rated

Sealing Capability—
Per IP 66 and IP 67

Housing Material—
High strength, impact resistant thermoplastic

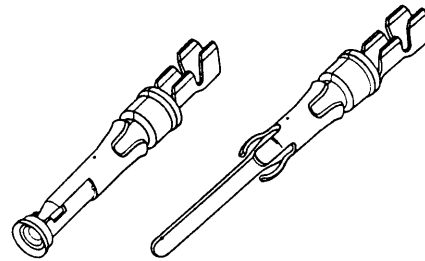
Fluid Resistance—
Diesel fuel, gear and engine fuel, gasoline, anti-freeze, hydraulic fluid, water

Sealed Circular Plastic Connectors (Continued)

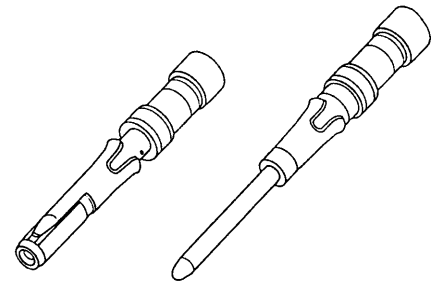
Multimate Size 16 Contact

Precision formed signal/low current

(Pin Diameter—1.57 [.062], test current 13 amps. max.)



Type III+
Precision Formed Contacts



Type II
Screw-Machined Contacts

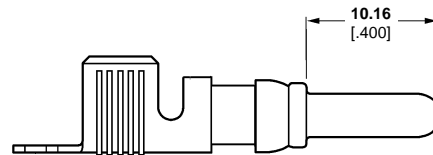
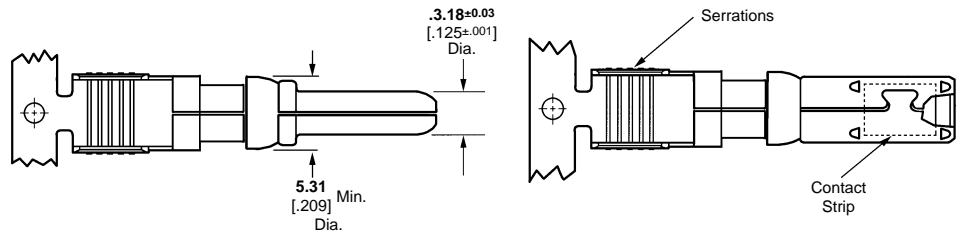
.125 POWERBAND Contact

Precision formed high current

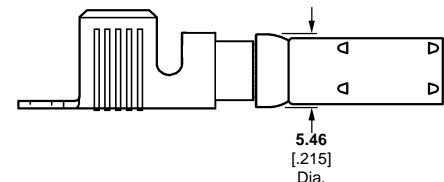
(Pin Diameter—3.175 [.125], test current 45 amps. max.)

Material and Finish:

Contacts—Copper with beryllium copper spring



.125 POWERBAND
Pin Contact



.125 POWERBAND
Socket Contact

AWG	Finish	Pin Length	Strip		Loose Piece	
			Pin	Socket	Pin	Socket
12-14	A	Standard	213845-2	213847-2	213845-4	213847-4
	B		213845-1	213847-1	213845-3	213847-3
8-10	A	Standard	213841-2	213843-2	213841-4	213843-4
	B		213841-1	213843-1	213841-3	213843-3

A Finish: Post plated 0.00076 [.000030] in mating area with 0.000127 [.000005] min. gold on remainder of contact, all over 0.00254 [.000100] min. nickel

B Finish: Post plated 0.00508 [.000200] silver in mating area with 0.000127 [.000005] min. gold on remainder of contact, all over 0.00254 [.000100] min. nickel

Extraction Tool Part No. 318813-1

Specifically designed for AMP CPC Connectors, Series 5 and 6, the new .125 POWERBAND contact offers the performance of a MIL-Spec screw machine Size 8 contact with the

economy of a stamped and form, strip-feed contact. Strip-feed contacts offer maximum production capabilities using standard AMP bench-mount, semi-automatic termination

equipment. For low volume, prototype or maintenance and repair requirements, the .125 POWERBAND contact is available in loose piece form.

Sealed Circular Plastic Connectors Series 5

CPC Connectors, Series 5 Sealed – Reverse Sex



Listed part numbers are for connectors only, contacts must be ordered separately.

Material:

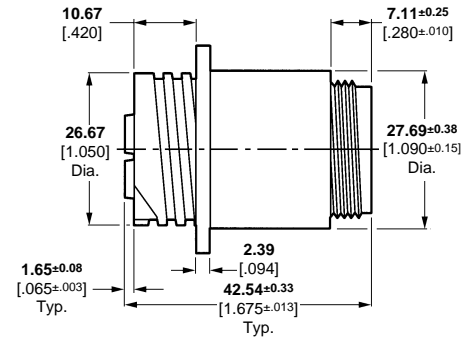
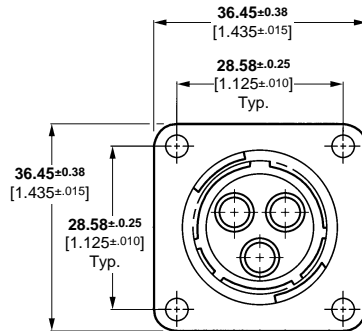
Housing—Nylon, glass-filled UL rated 94V-0, black

Related Product Data:

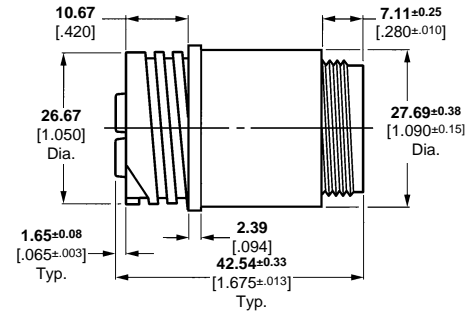
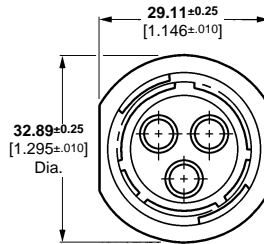
Contacts—Page 44

Application Tooling—Pages 69-75

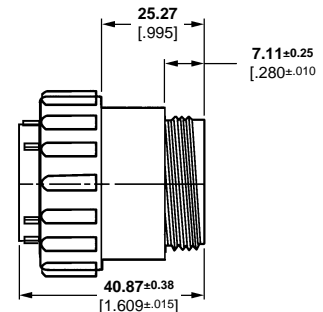
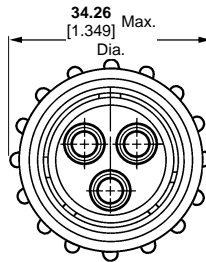
Square Flange Receptacle (Uses Flange Seal Part No. 81665-2)



Free-Hanging Receptacle



Plug (With Full Interfacial Seal)



Wire Entry Seals*

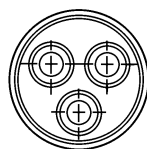
*Cable clamp kit 213902-1 required. (Similar to 206322-1. See page 46 for dimensional detail of cable clamp) or cable clamp kit 213904-1. (Similar to 206070-1. See page 46 for dimensional detail of cable clamp).

Arrangement	Square Flange Receptacle	Free-Hanging Receptacle	Plug
17-3 - Connector	213889-2	213890-2	213905-1
17-3 - Wire Entry Seal Kit	213899-1	213899-1	213899-1
23-7 Connector	—	—	—

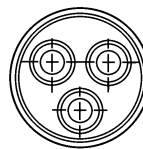
Kit includes (1) Silicon Wire Entry Seal and (1) Pressure Plate.
*Wire entry seals require cable clamp kits.

Replacement Coupling Rings

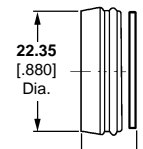
17-3	213810-1
------	----------



Rear View
Receptacles



Rear View
Plugs



Side View
Plugs/Receptacles

Note: Minimum insulation diameter is 3.96 [.156]; Maximum insulation diameter is 6.60 [.260].

Sealed Circular Plastic Connectors, Series 6

CPC Connectors, Series 6 Sealed – Reverse Sex



Listed part numbers are for connectors only, contacts must be ordered separately.

Material:

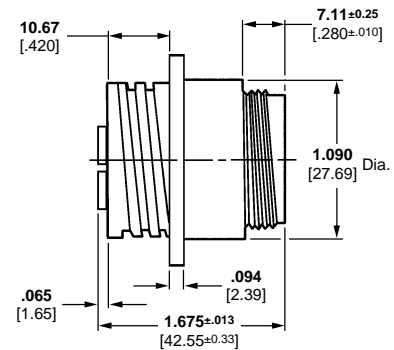
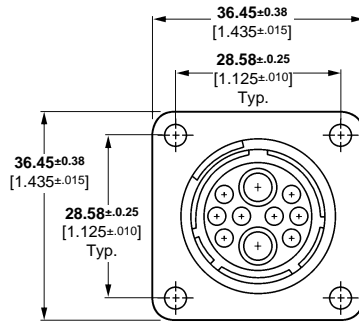
Housing—Nylon, glass-filled UL rated 94V-0, black

Related Product Data:

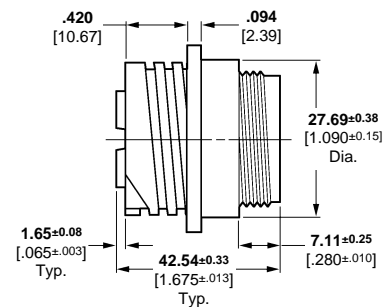
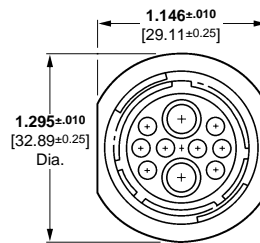
Contacts—Page 44

Application Tooling—Pages 69-75

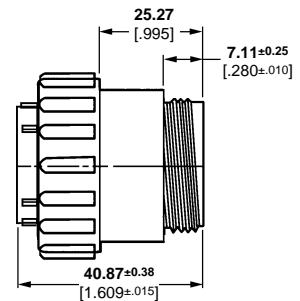
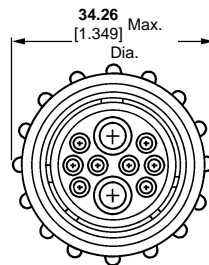
Square Flange Receptacle (Uses Flange Seal Part No. 81665-2)



Free-Hanging Receptacle



Plug (With Full Interfacial Seal)

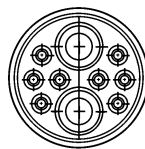


Arrangement	Square Flange Receptacle	Free-Hanging Receptacle	Plug
17-10 Connector	213893-2	213894-2	213906-1
17-10 Wire Entry Seal Kit	213900-1	213900-1	213900-1

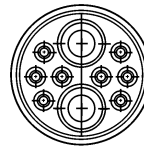
Kit includes (1) Silicon Wire Entry Seal and (1) Pressure Plate.
*Wire entry seals require cable clamp kits.

Wire Entry Seal*

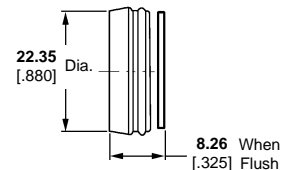
*Cable clamp kit 213902-1 required. (Similar to 206322-1. See page 46 for dimensional detail of cable clamp) or cable clamp kit 213904-1. (Similar to 206070-1. See page 46 for dimensional detail of cable clamp).



Rear View Receptacles



Rear View Plugs



Side View Plugs/Receptacles

Replacement Coupling Rings

17-10	213810-1
-------	----------

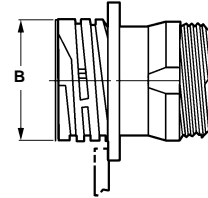
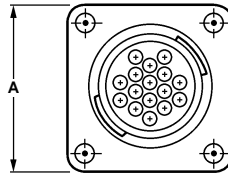
Note: Minimum insulation diameter is 3.96 [1.56]; maximum insulation diameter is 6.60 [2.60] for power contacts. Minimum insulation diameter is 1.50 [0.060]; maximum insulation diameter is 3.30 [1.30] for signal contacts.

Sealed Circular Plastic Connectors, Special Series 1

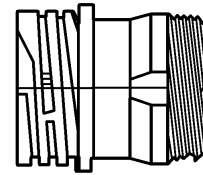
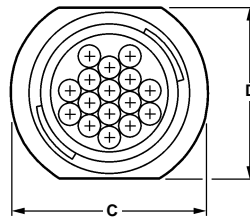
Sealed CPC Receptacles, Special Series I with Pre-Installed. Bonded Peripheral Seal



Square Flange Receptacle (Uses Flange Seal Part No. 81665-2)



Free-Hanging Receptacle



Listed part numbers are for connectors only, contacts must be ordered separately.

Material and Finish:

Housing—Thermoplastic, UL 94V-0 rated, black

Seal—Elastomer, gray

Related Product Data:

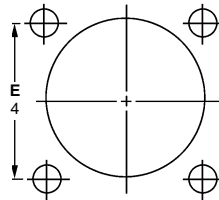
Contacts—Page 44

Contact Arrangement—Page 45

Accessories—Pages 38-50

Performance Characteristics—Page 44

Application Tooling—Pages 69-75



Recommended Panel Cutout

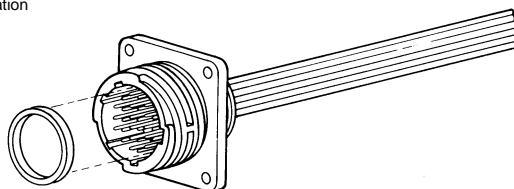
Shell Size	Dimension E
11	21.44 .844
13	24.61 .969
17	28.58 1.125
23	36.53 1.438

Shell Size	Dimensions		Contact Arrangement	Sex	Square Flange Part No.	Dimensions		Free-Hanging Part No.	Mates with Plug Part No.
	A	B				C	D		
11	28.58	15.42	11-4	Std.	206061-2	23.75	20.75	206153-2	206060-1
	1.125	.607							
13	32.54	20.62	13-9	Std.	206705-3	27.23	22.20	206705-4	206708-1
	1.281	.812							
17	36.45	26.67	17-16	Std.	206036-4	33.27	29.49	206036-5	206037-1
	1.435	1.050							
23	44.45	36.53	23-24	Std.	206838-3	44.02	38.23	206838-4	206837-1
	1.750	1.438							
			23-37		206306-3			206306-4	206305-1

Notes: 1. For detailed performance data on peripheral seals, refer to AMP Product Specification No. 108-10024.

2. Receptacle mates with Series 1 plugs found on page 10.

Seal shown outside of connector for illustration purposes only.



Receptacles with pre-installed, bonded peripheral seals are recommended for use in sealing/splash-proof applications, or where connectors will be subjected to vibration.

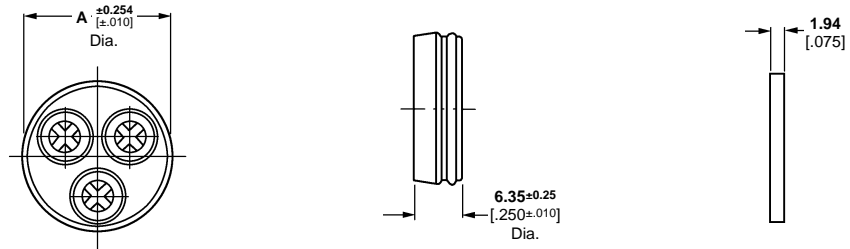
Circular Plastic Connector Sealing Accessories

Wire Entry Seal Kits for Plug and Receptacle Housings

Material and Finish:

Seal—Elastomer, red iron oxide

Pressure Plate—Nylon, black



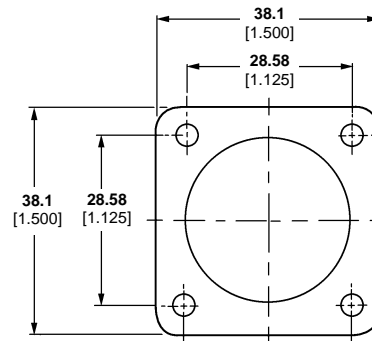
Arrangement No.	Insulation Dia. Range	Dimension A	Kit for Pins	Kit for Sockets
13-9	1.91-3.18 .075-.125	17.30 .681	213926-1	213925-1
17-3	4.52-6.73 .178-.265	20.07 .790	213899-1	213899-1
17-10	4.52-6.73 .178-.265 1.91-3.18 .075-.125	20.07 .790	213900-1	213900-1
17-14	1.91-3.18 .075-.125	20.07 .790	213919-2	213919-1
17-16	1.91-3.18 .075-.125	20.07 .790	213920-2	213920-1

- Notes:** 1. Kits include one Gang Seal and one pressure plate marked for cavity identification.
2. Arrangement No. 17--10 Insulation Range **4.52-6.73** [.176-.265] for two-holes, **1.95-3.18** [.075-.125] for eight holes.

Flange Seal

Material: Neoprene, black

Shell Size	Part No.
11	81665-3
13	81665-4
17	81665-2
23	81665-5



Circular Plastic Connector Sealing Accessories (Continued)

Sealing Caps – for Receptacles only

Sealing caps are used to protect exposed contacts of unmated receptacles.

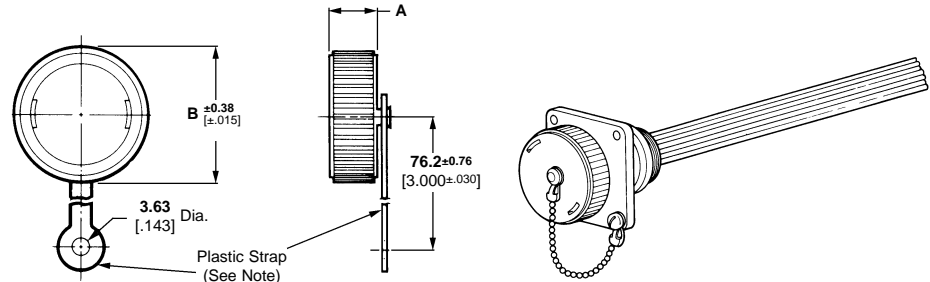
Material and Finish:

Cap—Thermoplastic, heat stabilized, fire resistant, self-extinguishing, 94V-1 rated, black

Sealing Gasket—Neoprene, black

Bead Chain—Steel, nickel plated

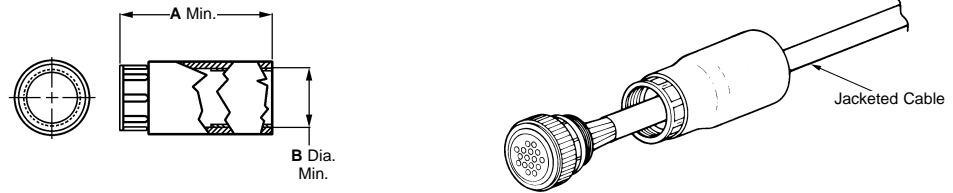
Bead Chain Coupling—Brass, plated nickel



Shell Size	Series	Dimensions		Plastic Strap Part No.	Metal Bead Chain Part No.
		A	B		
11	1 & 2	9.14 .360	23.55 .927	206903-1	208800-1
13	1	9.14 .360	26.80 1.055	211870-1	213485-1
17	1,2,& 3	9.14 .360	32.89 1.295	207445-1	208652-1
23	1, 3, & 4	11.68	43.89	207446-1	208680-1
	2	.460	1.728	207446-2	208680-2

Cable Entry Seals Heat Shrinkable Sealing Boots

Cable entry seals are used with jacketed cable to provide an environmentally sealed wire-to-connector system. They can be used with either plugs or receptacles.



Shell Size	Dimensions		Expanded Wall Thickness	Sealing Range (Dia.)	Max. Recovered Wall Thickness	Part No.
	A	B				
11	63.50 2.500	15.88 .625	2.03 .080 Ref.	6.60- 15.25 .260- .600	25.91 1.20 Ref.	54010-1
13	63.50 2.500	19.68 .775	2.03 .080 Ref.	7.62 - 18.42 .300 - .725	25.91 1.20 Ref.	54123-1
17	63.50 2.500	24.76 .975	2.03 .080 Ref.	10.16 - 22.22 .400 - .875	25.91 1.20 Ref.	54011-1
23	76.20 3.000	31.75 1.250	2.03 .080 Ref.	13.97 - 31.75 .550 - 1.250	25.91 1.20 Ref.	54012-1

Thick Wall Boots

Material:

Internal Sleeve—Nylon

Outer Tubing—Polyolefin

Thin Wall Boots

Material:

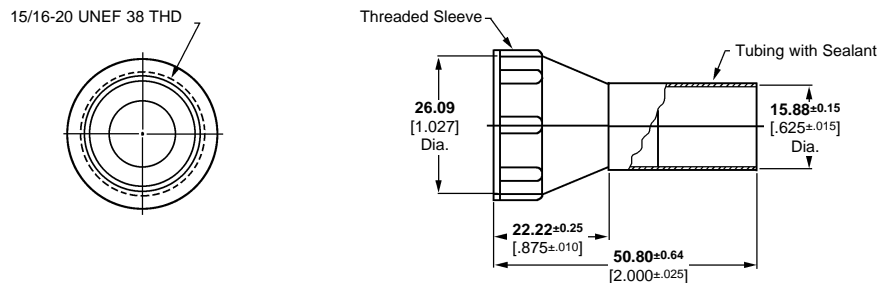
Inter Sleeve—Nylon

Outer Tubing—Polyolefin

Expanded Wall Thickness—
0.51 [.020]

Max. Recovered Wall Thickness—
10.16 [.400]

Sealing Range—6.35 [.250]-
12.70 [.500]



Shell Size 17
Part No. 213933-1

Circular Plastic Connector Sealing Accessories (Continued)

Jacketed Cable Seals (for Shell Size 23)

A jacketed cable seal kit provides an environmentally sealed connection for jacketed cable.

Material:

Peripheral Seal—Grey elastomer

Collar—Aluminum

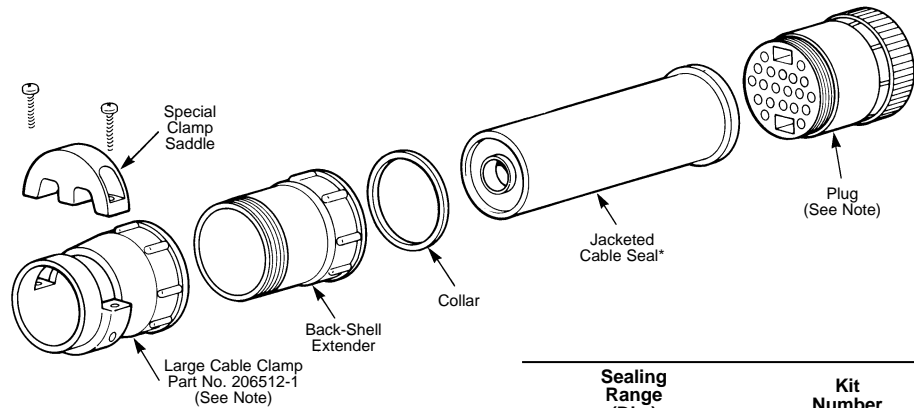
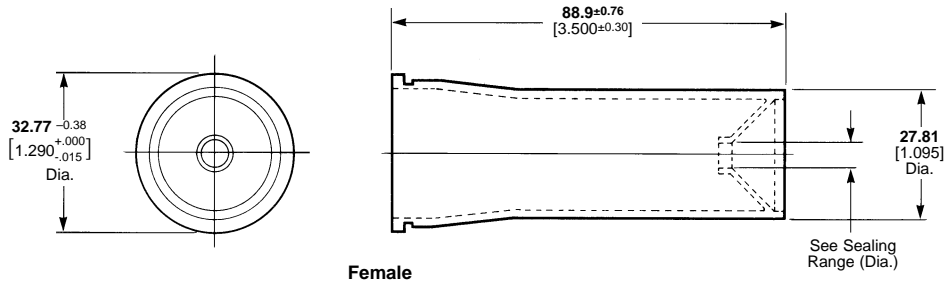
Jacketed Cable Seal—Black rubber

Back-Shell Extender—Black glass-filled thermoplastic

Special Clamp Saddle—Black thermoplastic

Note: Jacketed cable seals must be used with large cable clamps and can be used on plugs or receptacles. Large cable clamps are to be ordered separately (see page 46). Each jacketed cable seal kit includes:

- Peripheral Seal—to be discarded if kit is used on plug. Additional seals may be purchased
- Collar—provides bearing surface for back-shell extender
- Jacketed Cable Seal
- Back-Shell Extender
- Special Clamp Saddle—to be used in lieu of clamping insert supplied with large cable clamp



*Jacketed cable seal is pressed flush against rear connector face when back-shell extender is threaded onto rear of connector.

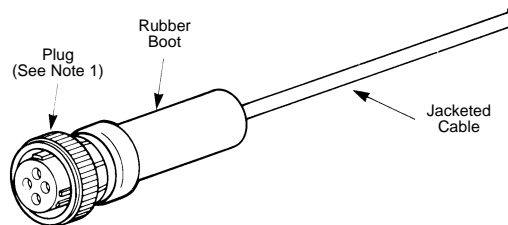
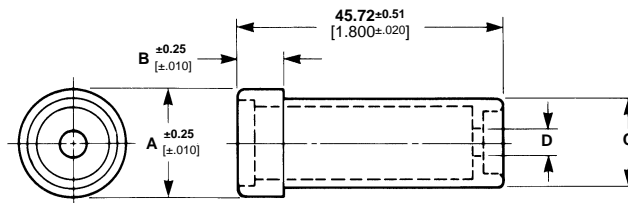
Sealing Range (Dia.)	Kit Number
7.62-11.43 .300-.450	207052-1
11.43-15.24 .450-.600	207052-2
15.24-22.22 .600-.875	207052-3

Rubber Boots

Rubber boots are used with jacketed cable to provide splash-proof connections for Series 1 and Series 3 connectors.

Material:

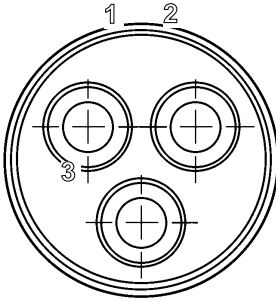
Black neoprene



Shell Size	Cable Dia. Sealing Range	Dimensions				Part No.
		A	B	C	D	
11	5.56-11.13 .219-.438	19.05 .750	7.62 .300	15.24 .600	4.32 .170	206304-1

- Notes:**
1. Rubber boots are recommended for use with jacketed cable and can be used on plugs or receptacles, except Series 2 connectors.
 2. For detailed performance data on rubber boots, refer to AMP Product Specification No. 108-10024.

Connector Series and Types



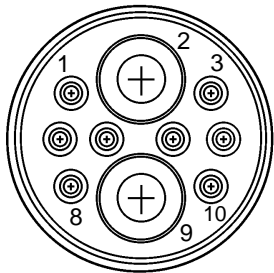
Series 5—Power Contacts .125 POWERBAND

Series 5 connectors combine the revolutionary performance of the new AMP POWERBAND, high current contact in configurations similar to the Series 3 connectors. AMP POWERBAND contacts offer the electrical

performance of the best Mil Spec Size 8 screw-machined contacts with the economy and productivity of strip-fed, precision formed contacts.

Series 5 connectors are environmentally sealable to meet IEC IP 65, IP 66 and

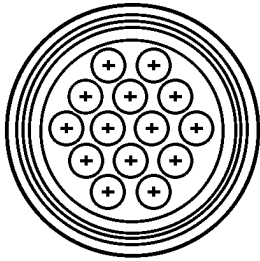
IP 67 specifications. Rated at 600 VAC or VDC, 45 amperes maximum in a single contact, the connectors are available in free-hanging and panel-mount applications—**two connector configuration containing 3- and 7- .125**



Series 6—Combination, Size 16 and .125 POWERBAND Contacts

Series 6 combines the high current and environmental sealing capability of Series 5, POWERBAND contacts, and the reliability of signal carrying, low current Type III+ contacts. This

combination of power and signal contacts is offered in **one connector configuration containing 2- .125 POWERBAND contacts and 8-Type III+ signal pin**

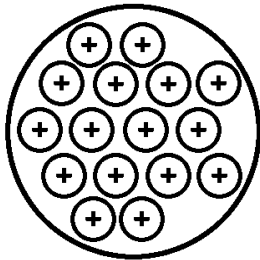


MIL-C 5015 Style—Size 16 Contacts

This new addition to the AMP Circular Plastic Connector Line is specifically designed to be **intermateable with Metal-Shell size 20-14 and 18-10, MIL-C 5015 Style connector systems**. The high impact resistant plastic housing offers the

advantages of light weight and lower cost than existing metal-shell connectors. In addition the connector design prevents mismatching when used with other insert arrangements. As part of the AMP Multimate family of connectors, the MIL-C 5015

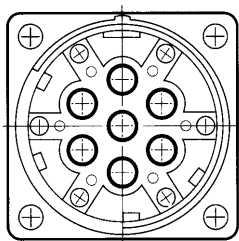
style connector offers the economies of crimp Type III+ pin and socket contacts in reel-mounted, strip-form for high volume automatic machine termination, as well as in loose piece-form for low volume, prototype or maintenance and repair.



Metal-Shell, Circular Plastic Connectors

Metal-Shell CPC connectors consist of a black thermoplastic insert in a nickel-plated, zinc alloy shell.

These connectors are currently available in **shell sizes 14, 22 and 28, and in two basic configurations consisting of plugs and**



Power IV Connectors

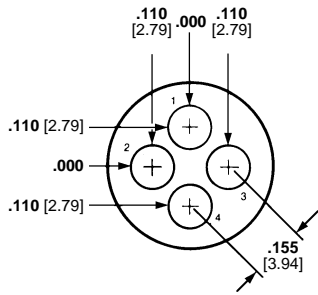
A **7-position, high current circular plastic connector available in standard and reverse sex pin and receptacle housings** designed to meet UL, CSA, and VDE requirements. Fully loaded the connector is capable of carrying up to 56

amps, max. per circuit, at 600 VAC using 4 AWG [21mm²] wire. High impact resistant UL 94V-0 rated material used in housings offer excellent cost savings when compared to similar metal-shell circular connectors. Pin contacts are

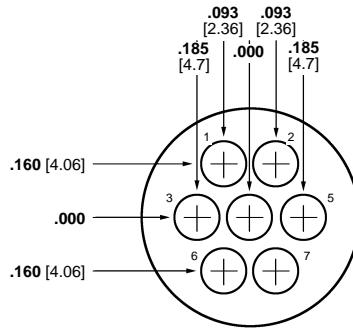
bronze, and socket contacts are beryllium copper, all plated silver over nickel, **available in sizes that will accept 4, 6, 8 and 10 AWG [21, 14, 8 and 6mm²] wire.**

Contact Arrangements, Series 1

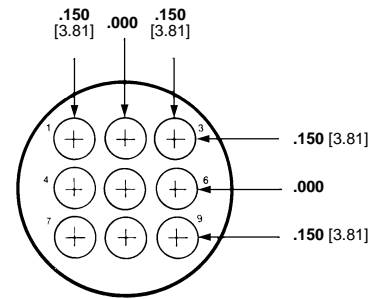
Shell Sizes 11 and 13



Arrangement 11-4
Max. Wire Ins. Dia. = .100 [2.54]

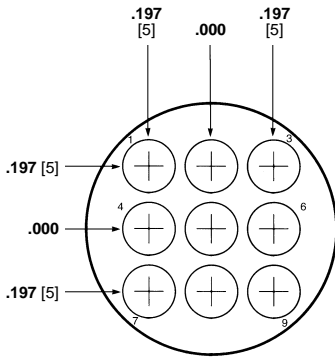


Arrangement 13-7
Max. Wire Ins. Dia. = .100 [2.54]

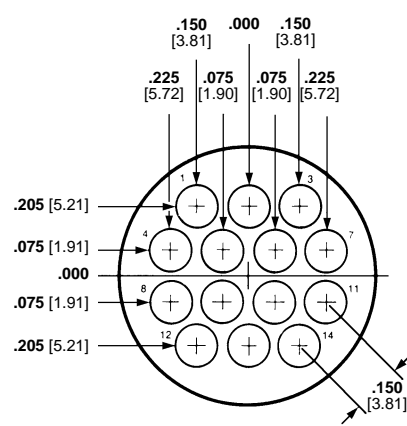


Arrangement 13-9
Max. Wire Ins. Dia. = .100 [2.54]

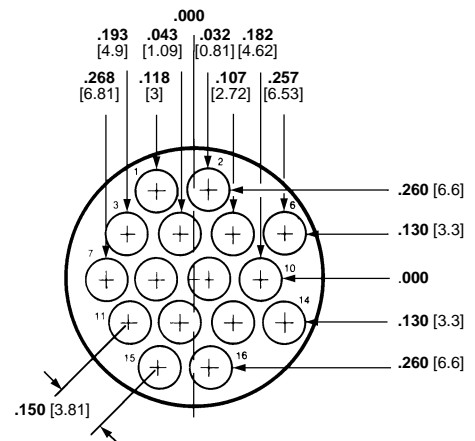
Shell Size 17



Arrangement 17-9
Max. Wire Ins. Dia. = .150 [3.81]

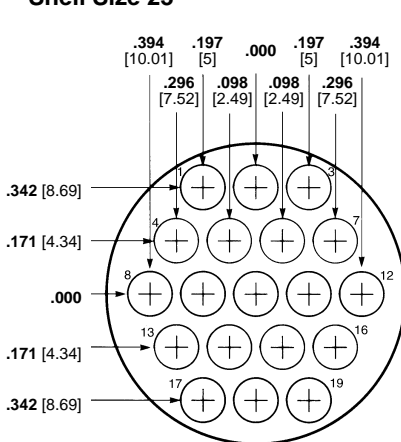


Arrangement 17-14
Max. Wire Ins. Dia. = .100 [2.54]

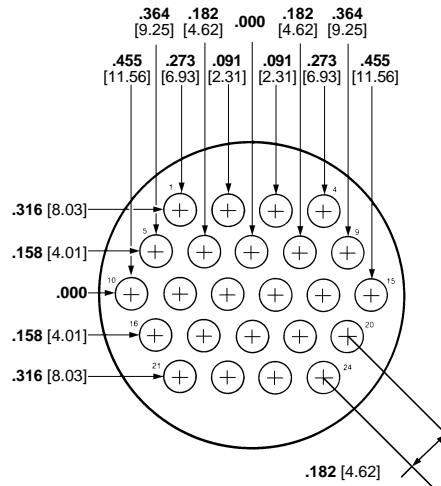


Arrangement 17-16
Max. Wire Ins. Dia. = .100 [2.54]

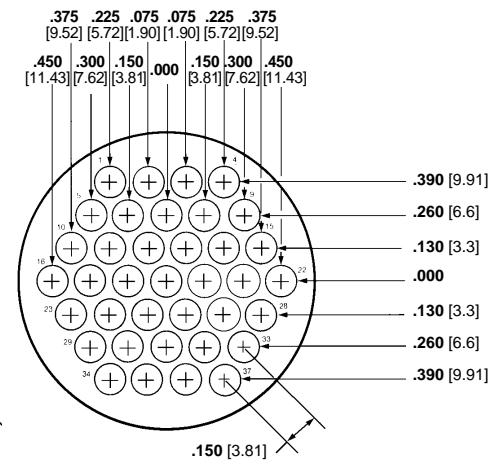
Shell Size 23



Arrangement 23-19
Max. Wire Ins. Dia. = .150 [3.81]



Arrangement 23-24
Max. Wire Ins. Dia. = .150 [3.81]



Arrangement 23-37
Max. Wire Ins. Dia. = .100 [2.54]

Note: Contact arrangements shown are for pin mating face (plug or receptacle). Socket mating face is mirror image.

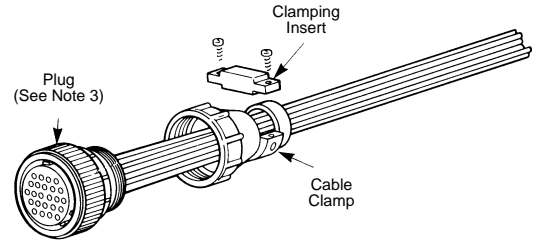
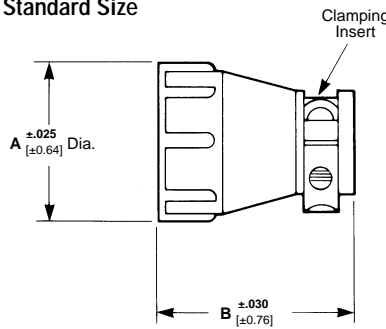
Circular Plastic Connector Accessories Cable Clamps

Cable clamps provide strain relief and can be used on all series receptacles and plugs.

Material:

Black thermoplastic heat-stabilized, fire-resistant, self-extinguishing, 94V-1 rated

Standard Size

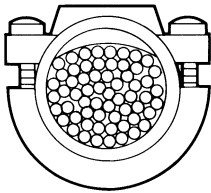


Shell Size	Dimensions		Cable O.D. (Max.)	Thread Size	Part No.	
	A	B			Individually Packaged	Bulk Packaged*
11	.825 20.96	1.250 31.75	.329 8.36	5/8-24 UNEF-2B	206062-3	206062-4** (400)
13	.950 24.13	1.400 35.56	.453 11.51	3/4-20 UNEF-2B	206966-1	206966-2** (200)
17	1.125 28.58	1.400 35.56	.453 11.51	15/16-20 UNEF-2B	206070-1	206070-3** (200)
23	1.600 40.64	1.555 39.5	.703 17.86	1-3/8-18 UNEF-2B	206138-1	206138-2** (100)

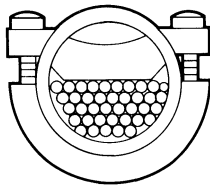
*Numbers in parentheses specify, in multiples, the minimum quantity of parts that can be ordered.

**Packaging includes two screws: shell sizes 11-17; screw length .500 [12.7]; shell size 23, screw length .625 [15.88].

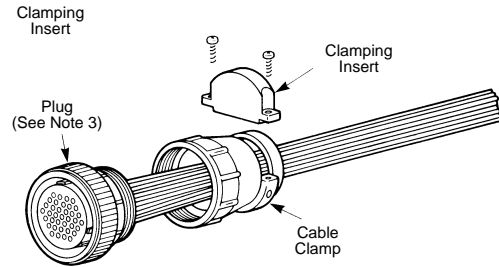
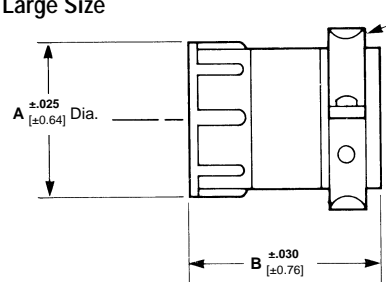
- Notes:**
1. Clamping areas adjustable by inverting or changing clamping inserts. The quantity of inserts supplied with each assembly is as follows: for size 11 cable clamps, one insert; for all other cable clamps, two inserts.
 2. Components for all cable clamps are packaged unassembled. This includes the cable clamp, two screws and the clamping inserts.
 3. Cable clamps can be threaded directly onto plugs or receptacles, or onto back-shell extenders (page 38).
 4. Replacement screws are available in the following sizes: 3/8 in. [9.52]—**19024-1**, 1/2 in. [12.7]—**19024-2**, 5/8 in. [15.88]—**19024-3**, 1 in. [25.4]—**19024-4**, 3/4 in. [19.05]—**19024-5**.
 5. Cable clamp inserts not sold separately.



The clamping area can be adjusted by reversing the clamping insert as shown below.



Large Size



Shell Size	Dimensions		Cable O.D. (Max.)	Thread Size	Part No.	
	A	B			Individually Packaged	Bulk Packaged*
11	.850 21.59	1.450 36.83	.453 11.51	5/8-24 UNEF-2B	206358-1	206358-2** (200)
13	1.131 28.73	1.655 42.04	.703 17.86	3/4-20 UNEF-2B	207008-1	207008-2** (100)
17	1.131 28.73	1.655 42.04	.703 17.86	15/16-20 UNEF-2B	206322-1	206322-2** (100)
23	1.600 40.64	1.655 42.04	1.125 28.58	1-3/8-18 UNEF-2B	206512-1	206512-2** (75)

*Numbers in parentheses specify, in multiples, the minimum quantity of parts that can be ordered.

**Packaging includes two screws: shell size 11; screw length .500 [12.7]; shell sizes 13-23, screw length .625 [15.88].

- Notes:**
1. Clamping areas adjustable by inverting or changing clamping inserts. The quantity of inserts supplied with each assembly is as follows: for size 23 cable clamps, four inserts; for all other cable clamps, two inserts.
 2. Components for all cable clamps are packaged unassembled. This includes the cable clamp, two screws and the clamping inserts.
 3. Cable clamps can be threaded directly onto plugs or receptacles, or onto back-shell extenders (page 38).
 4. Replacement screws are available in the following sizes: 3/8 in. [9.52]—**19024-1**, 1/2 in. [12.7]—**19024-2**, 5/8 in. [15.88]—**19024-3**, 1 in. [25.4]—**19024-4**, 3/4 in. [19.05]—**19024-5**.
 5. Cable clamp inserts not sold separately.

Circular Plastic Connector Accessories

Self-Centering (for Shell Size 23)

The self-centering cable clamp is used in applications where strain relief protection is required and the cable or wire bundle is large and/or stiff.

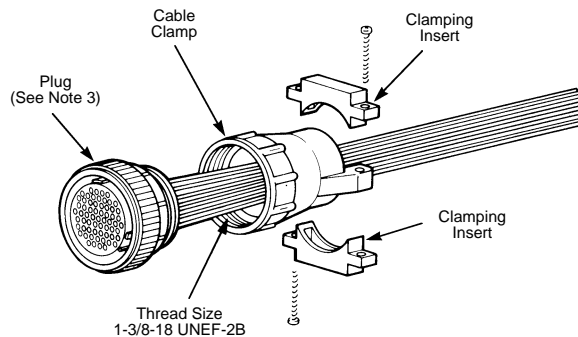
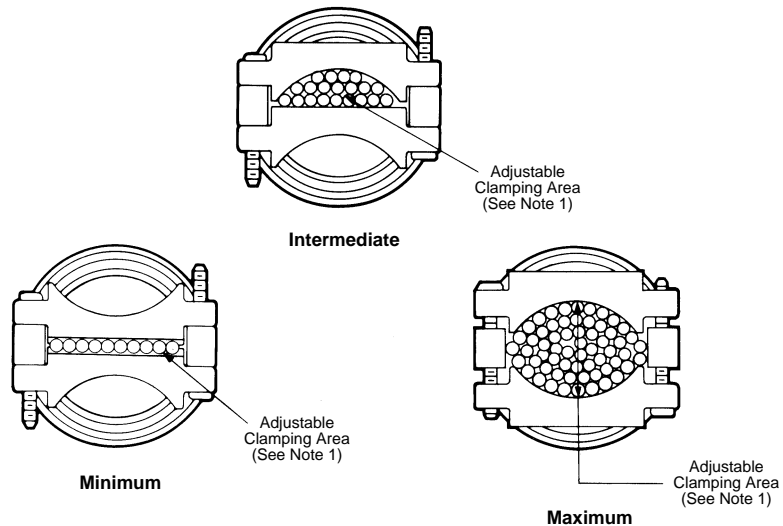
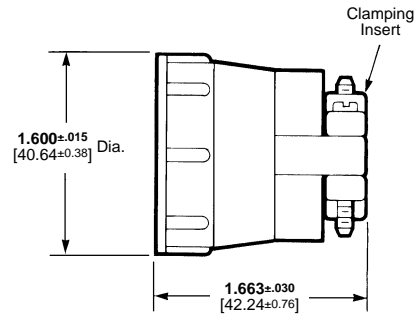
Material:

Black thermoplastic

Part Numbers

207774-1 (individually packaged)

207774-2 (bulk packaged)



- Notes:**
1. Clamping area is adjustable by inverting clamping inserts; maximum cable diameter is 1.125 [28.58].
 2. Components for cable clamp are packaged unassembled. This includes the cable clamp, two screws (1.00 [25.4]) and the clamping inserts.
 3. Cable clamp can be threaded directly onto plugs or receptacles, or onto back-shell extenders (page 38).

Circular Plastic Connector Accessories (Continued)

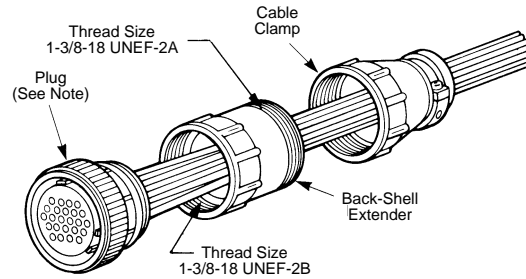
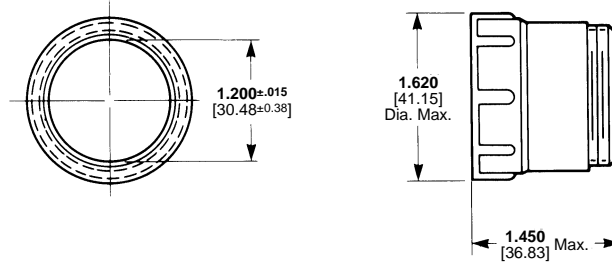
Back-Shell Extender (for Shell Size 23)

A back-shell extender is used with a cable clamp in applications where added length and/or additional wire breakout are required.

Material:

Black glass-filled thermoplastic

Part No. 207055-1



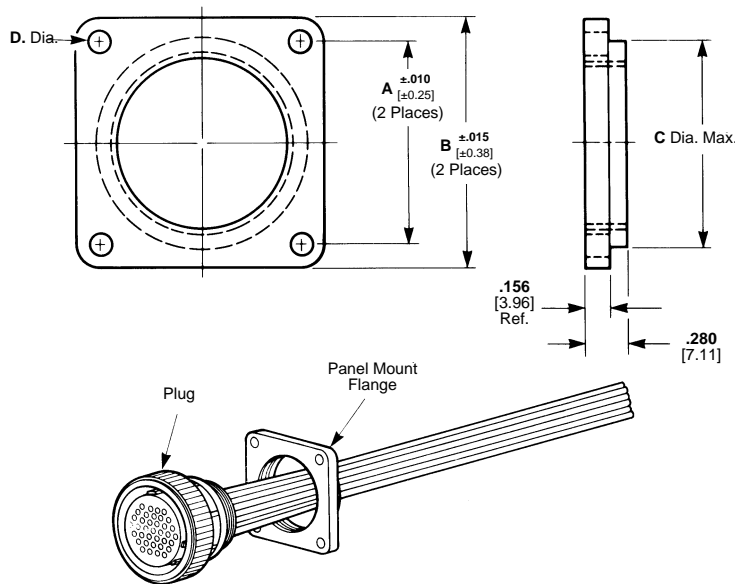
Note: Back-shell extenders can be threaded directly onto plugs or receptacles and will accept cable clamps of the appropriate size (pages 46 and 47).

Panel Mount Flanges (for Plugs only)

A panel mount flange is used in applications that require the plug half of a connector to be panel mounted.

Material:

Black thermoplastic

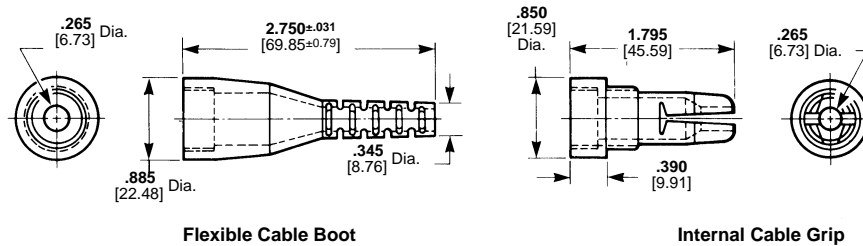


Shell Size	Dimensions				Part No.
	A	B	C	D	
11	.844 21.44	1.125 28.58	.750 19.05	.125 3.18	207299-1
13	.969 24.61	1.280 32.51	.875 22.22	.125 3.18	207299-2
17	1.125 28.58	1.435 36.45	1.110 28.19	.150 3.81	207299-3
23	1.438 36.53	1.750 44.45	1.510 38.35	.150 3.81	207299-4

Circular Plastic Connector Accessories (Continued)

Flexible Cable Boot and Internal Cable Grip (for Shell Size 11)

Flexible cable boots, with internal cable grip installed, provide strain relief capabilities for jacketed cable in applications where aesthetic appearance is essential. They can be threaded onto plugs or receptacles.



Material:

Black thermoplastic

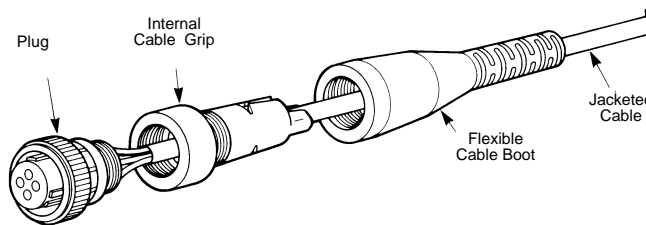
Cable Range:

.150-.250 [3.81-6.35]

Part Numbers

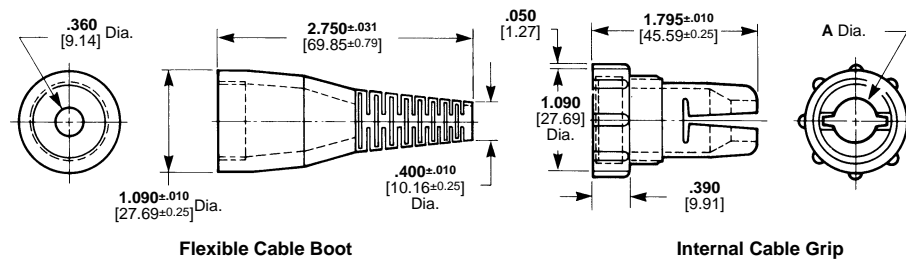
207489-1 (Cable Boot)

207490-1 (Cable Grip)



Flexible Cable Boot and Internal Cable Grip (for Shell Size 17)

Flexible cable boots, with internal cable grip installed, provide strain relief capabilities for jacketed cable in applications where aesthetic appearance is essential. They can be threaded onto plugs or receptacles.



Material:

Black thermoplastic

Part Numbers

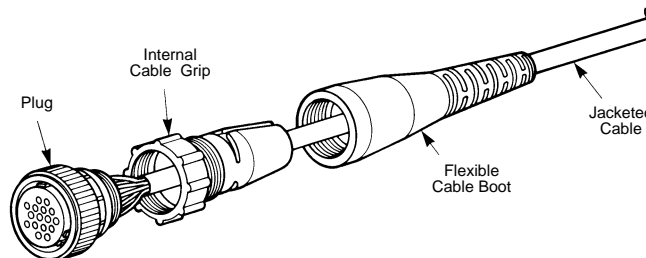
207241-1 (Cable Boot)

207387-1 (Cable Grip)

A Dia. = .325 [8.26] for cable range of .200-.250 [5.08-6.35]

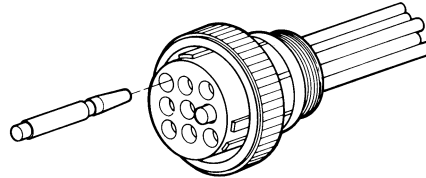
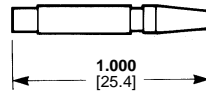
207387-2 (Cable Grip)

A Dia. = .385 [9.78] for cable range of .250-.350 [6.35-8.89]

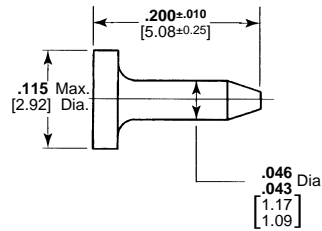


Circular Plastic Connector Keying Plugs

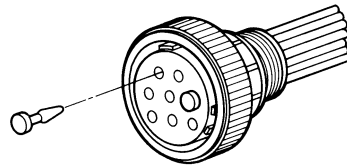
Keying plugs are used to provide keying capabilities for all connector series. Keying plugs are used in socket cavities of standard sex plugs and reverse sex receptacles, except when used with sealing caps.



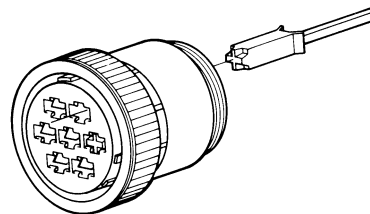
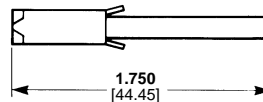
Series 1 and Series 4 Keying Plug
(for Types III+ and Subminiature COAXICON)
Part No. 200821-1



Part No. 206509-1





Series 2 Keying Plug
(for Size 20 DM and 20 DF Contacts)

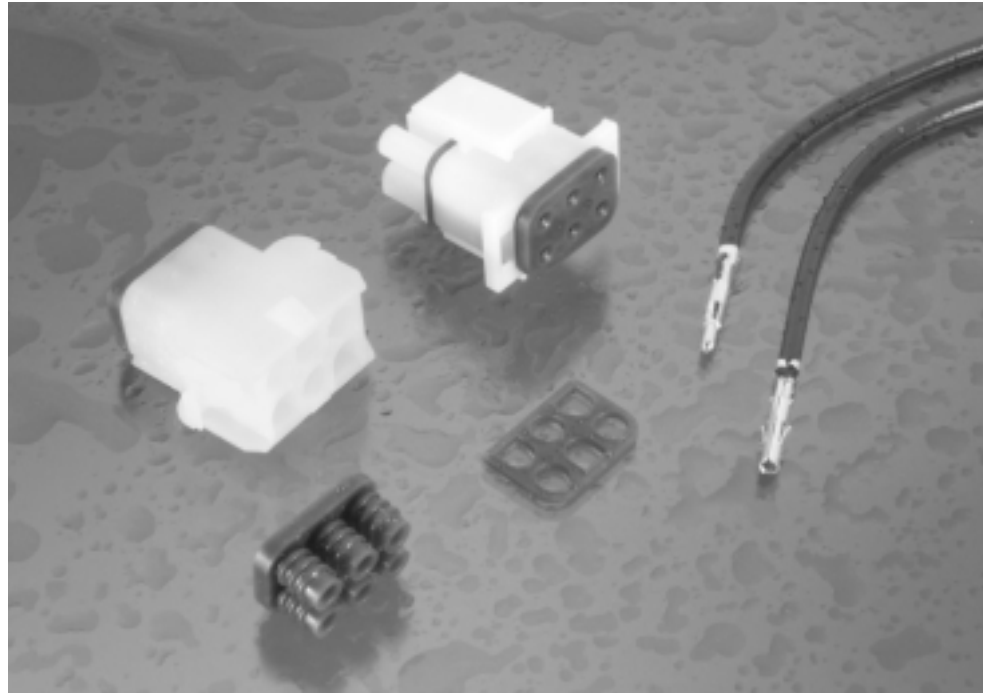


Series 3 and Series 4 Keying Plugs
(for Type XII Contacts)
Part Nos. 206508-1 (Socket Cavities)
207597-1 (Pin Cavities)

Splash Proof/Sealed Universal MATE-N-LOK Connectors

Product Facts

- Pins and sockets can be intermixed in the same housing
- Positive polarization
- Rear cavity identification
- Contacts completely enclosed in housings
- Positive locking housings
- Insulation capability of .060 - .130 mm [1.52 - 3.30 in.]
- Removable, crimp snap-in contacts
- Low contact mating force
- Contacts accept .05 - 5.0 mm² [#24 - #22] AWG wire sizes
- Contacts available with pre-tin or gold plating
- Dual locking lances provide optimum contact stability
- Panel mount or free hanging
- Mate with Universal MATE-N-LOK II Housings
- Available in UL 94V-0 flame retardant material. Meets the material requirements of table 25.1 of U.L. Standard 1410 (television receivers and video products)
- Not for interrupting current
- Harness to PC Board capability using pin or socket headers
- Pin and socket headers are available in both vertical and right angle style
- Solderability—headers meet MIL-STD 202 Method 208
- Contacts are on 6.35 mm [.250 in.] centerline spacing
- Recognized under the Component Program of  Underwriters Laboratories, Inc. File No. E28476
- Certified by Canadian Standards Association  File No. LR 7189
- Passed test by VDE under their Registration Number 5618/Continuous Surveillance



Performance Characteristics

The Universal MATE-N-LOK Connector performance characteristics are based on the hanging and panel mount connectors, loaded with contacts crimped on stranded wire.

Dielectric Withstanding Voltage

5.0 KVAC or 10.0 KVDC between adjacent circuits

Insulation Resistance

1000 megohms minimum initial between adjacent circuits

Voltage Rating

600V AC or DC

Connector Mating

Solid Pin—3.0 lb. max. per circuit
Split Pin—1.5 lb. max per circuit

Connector Unmating

Solid Pin—.7 lb. min. per circuit
Split Pin—.5 lb. min per circuit

Contact Insertion Force

5.0 lb. max. per contact

Contact Retention

15 lb. min. per contact

Durability

50 cycles, mating and unmating

Technical Documents

Product Specifications

108-1031 Universal MATE-N-LOK Connectors

108-1053 Universal MATE-N-LOK PC Board Headers

108-1031-1 Splash Proof Seal, Universal MATE-N-LOK Connectors

Application Specification

114-1010 Universal MATE-N-LOK Contacts

Instruction Sheet

408-7714 Plug, Cap, Headers, Pin, Socket and Accessories

408-3392 Universal MATE-N-LOK Splash Proof Seals

Splash Proof/Sealed Universal MATE-N-LOK Connectors (Continued)

Performance Characteristics (Continued)

Maximum Current Maximum current rating of Universal MATE-N-LOK connectors is limited by the maximum operating temperature of the housings which is 125°C including the temperature rise of the contacts which is a maximum of 30°C. There are several variables which have a direct effect on this maximum current-carrying capability for a given connector and must be considered for each application. These variables are:

Wire Size Large diameter wire will carry more current since it has less internal resistance to current flow and thus generates less heat. Longer wire lengths also enhance current carrying capabilities since the wire conducts heat away from the connector

Connector Size In general, the more circuits in a connector, the less current can be carried.

Ambient Temperature The higher the ambient temperature, the less current can be carried in any given connector.

Printed Wiring Board Conductor Size The finished trace conductor width and thickness should be maximized to allow for the greatest current carrying capacity and heat dissipation.

Universal MATE-N-LOK connectors also will withstand the following tests:

Vibration 10-55-10 cycles per minute at .06 inch total excursion

Physical Shock 18 drops, 50 g sawtooth at 10 milliseconds

Housing Panel Retention 75 lb min.

Housing Lock Strength 30 lb. min.

Thermal Shock -55°C to +85°C

Temperature-Humidity Cycling 25°C to 65°C at 95 RH

Corrosion 48 hr. at 5% salt concentration

Related Product Data

Product Specifications

106-1031 Universal MATE-N-LOK Connectors

108-1053 Universal MATE-N-LOK Headers

Current Rating Verification for 30°C Maximum Temperature Rise 100% Energized

Wire-to-Wire UMNL Calculated Current Table

Number of Circuits	Wire Gauge									
	10	12	14	16	18	20	22	24	26	30
2	19.00	18.00	17.00	14.50	13.00	10.00	8.00	6.50	5.50	3.50
3	17.50	16.50	15.50	13.00	12.00	9.00	7.50	6.00	5.00	3.00
4	16.50	15.50	15.00	12.50	11.00	8.50	7.00	5.50	4.50	3.00
6	15.00	14.00	13.00	11.00	9.50	7.850	6.00	5.00	4.00	2.50
9	13.50	12.50	11.50	9.50	8.50	6.50	5.50	4.50	3.50	2.00
12	12.50	12.00	11.00	9.00	8.00	6.00	5.00	4.00	3.00	2.00
15	12.00	11.50	10.00	8.50	7.50	6.00	4.50	4.00	3.00	2.00

Values are based on initial Temperature Rise versus Current Testing and are intended to be a guide in the selection of a connector family. All applications should be tested by the end user. The values listed are per circuit for fully loaded housings being 100% energized. **Note:** All combinations were not tested, and this chart contains interpolated and extrapolated values.

Minimum Wire Lengths for T-Rise vs. Current Testing

AWG	Min. Length (in.)
24	129.5 [5.1]
20	198.1 [7.8]
18	238.8 [9.4]
16	287.0 [11.3]
14	348 [13.7]

Notes: If wire lengths used are less than those listed above, the current carrying ability of the system will be reduced due to less heat being conducted away from the connector. The customer should fully test all applications

Wire-to-Board

Due to the vast differences in trace geometry and printed circuit board configurations, we are unable to provide a separate current carrying chart for our printed circuit board header products. However, the above Wire-to-Wire charts may be used as a guideline for headers if the trace width and thickness is equal to the listed wire gauge. For vertical headers, only 75% of the Wire-to-Wire value should be used. The chart values are only a tool for connector selection and will require the customer to fully test their application.

Termination Resistance/Contact Crimp Tensile Force

Wire Size		Termination Resistance		Contact Crimp Tensile Force	
AWG	mm ²	Test Current (Amps)	Resistance Milliohms (Max. Init.)	Force (Min.) lbs.	N
24	.2	1.5	3.50	8	36
22	.3	3	3.50	14	62
20	.5	4.5	3.00	14	62
18	.8	6	3.00	30	133
16	1.2	8	2.75	45	200
14	2.0	10	2.75	50	222

Notes: This is the total resistance between wire crimps of a mated pin and socket.

Splash Proof/Sealed Universal MATE-N-LOK Connectors (Continued)

Connector Seals

Product Facts

- Economical splash proof/immersible sealed connector system
- No design changes to existing Universal MATE-N-LOK product
- Existing applications utilizing Universal MATE-N-LOK connectors can be upgraded to a splash proof system
- Utilizes two wire seals and one interface seal
- Wire AWG range is .5 - 2.0 mm [#20 - #14] with insulation diameter range 1.52 - 3.30 mm [.060 - .130 in.]
- 2.79 - 3.30 mm [.110 - .130 in.] insulation diameter passed European IP sealing level #5/7 (swirling dust/immersion to 1 meter for 30 minutes)
- 1.52 - 2.79 mm [.060 - .110 in.] insulation diameter passed European IP sealing level #5/6 (swirling dust/heavy seas)
- Universal MATE-N-LOK II keying plug can be used to seal unused circuits
- Primary application is for wire-to-wire, wire-to-board application must use a closed bottom header

Material:

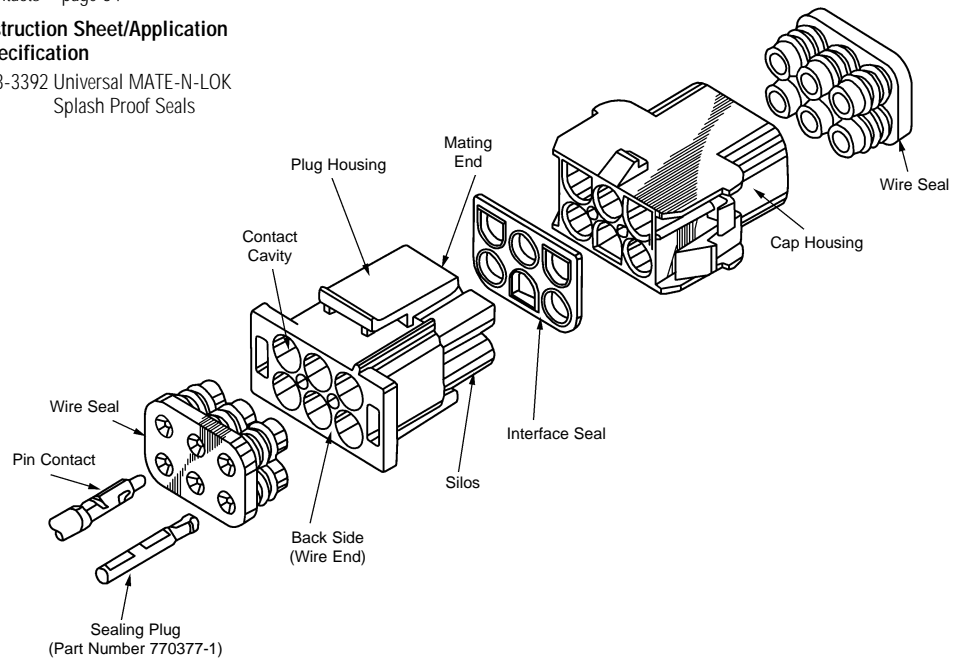
Silicone rubber, blue color

Technical Documents:

Product Specification
108-1031-1 Splash Proof Seal,
Universal MATE-N-LOK
Connectors

Contacts—page 54

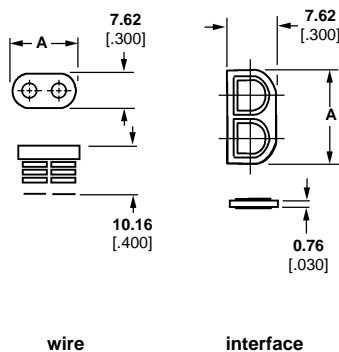
Instruction Sheet/Application Specification
408-3392 Universal MATE-N-LOK
Splash Proof Seals



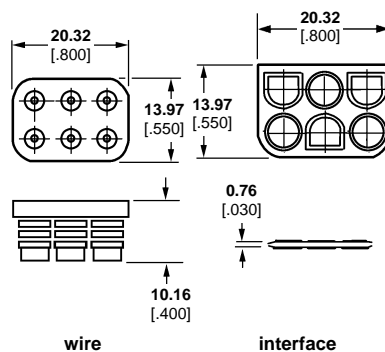
Number of Circuits	A Dim.	Interface Seal Part Numbers	Wire Seal Part Number
2	14.0 [.550]	794269-1	794270-1
3	20.3 [.800]	794271-1	794272-1
4	26.7 [1.050]	794273-1	794274-1
6	—	794275-1	794276-1
9	20.3 [.800]	794277-1	794278-1
12	26.7 [1.050]	794279-1	794280-1
15	26.7 [1.300]	794281-1	794282-1

Note: One interface seal and two wire seals required per mated assembly.

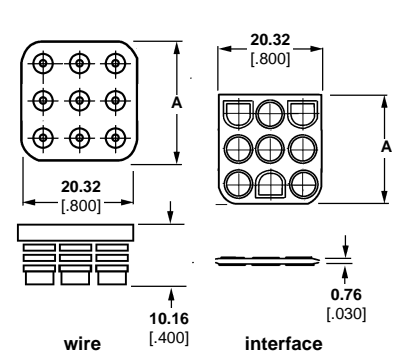
2, 3, 4 Circuit, In-Line



6 Circuit, Matrix



9, 12, and 15 Circuit, Matrix



Splash Proof/Sealed Universal MATE-N-LOK Connectors (Continued)

Contacts Used With Splash Proof Seals

Solid pin diameter 2.13 [.084]

Split pin diameter 2.18 [.086]

Stock thickness .305 [.012] unless otherwise specified

These contacts can be used in either Universal MATE-N-LOK Plug or Cap housings only

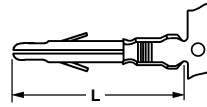
Related Product Data:

Product Specification

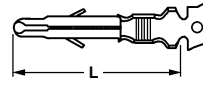
108-1031 Universal MATE-N-LOK Connectors

Application Specification

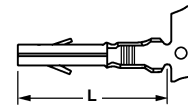
114-1010 Universal MATE-N-LOK Contacts



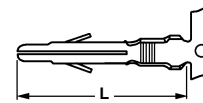
Solid Pin



Split Pin



Solid Socket



Grounding Pin

2.54 [.100] longer than standard pin
(Mate first, break last, not for interrupting current)

Wire Size Range AWG/mm ²	Ins. Dia. Range	L Dim.		Material & Finish	Style	Contact Part Numbers				HDM Applicator Part No.	Hand Tool Part No.
		Pin	Socket			Pin		Socket			
						Strip Form	Loose Form	Strip Form	Loose Form		
.2-8 24-18	1.52-2.54 .060-.100	20.06 .790	19.30 .760	Brass, Pre-tin	Solid	350561-1	350690-1	350851-1 350570-14	350689-14	466320-1 ³ 466320-2 ³ 466320-4 ³	90300-2
				Brass, Gold ¹		350561-2	350690-2	350851-2 350570-24	640347-2 350689-24		
				Brass, Select Gold ²		350561-7	350690-7	350851-7 350570-74	350689-74		
				Phos. Brz., Pre-tin		350561-3	350690-3	350570-34	350689-34		
				Phos. Brz., Select Gold ²		—	—	350570-64	—		
.2-8 24-18	1.52-2.54 .060-.100	20.06 .790	—	Brass, Pre-tin	Split	350699-1	350706-1	—	—	466320-1 ³ 466320-2 ³ 466320-4 ³	90300-2
				Brass, Gold ¹		350699-2	350706-2	—	—		
				Brass, Select Gold ²		350699-7	350706-7	—	—		
.2-8 24-18	1.52-3.30 .060-.130	22.60 .890	—	Brass, Pre-tin	Ground	770210-1	—	—	—	567216-2 ³ 567216-3 ³	—
				Brass, Gold ¹		—	—	—	—		
.5-2.0 20-14	1.52-3.30 .060-.130	20.06 .790	19.30 .760	Brass, Pre-tin	Solid	350218-1	350547-1	350536-1	350550-1	687763-1 ³ 687763-2 ³ 687763-6 ³	90296-2
				Brass, Gold ¹		350218-2	350547-2	350536-2	350550-2		
				Brass, Select Gold ²		350218-7	350547-7	350536-7	350550-7		
				Phos. Brz., Pre-tin		350218-3	350547-3	350536-3	350550-3		
				Phos. Brz., Select Gold ²		350218-6	350547-6	350536-6	350550-6		
				Brass, Pre-tin		350687-1	350705-1	—	—		
				Brass, Gold ¹		350687-2	350705-2	—	—		
Brass, Select Gold ²	350687-7	350705-7	—	—							
		22.60 .890	—	Brass, Pre-tin	Ground	350684-1	350669-1	—	—		

¹Gold Finish—Plated with 0.000762 [.000030] min. gold in mating area and inside wire barrel over 0.00127 [.000050] min. nickel underplate on entire contact.

²Select Gold Finish—Plated with 0.000762 [.000030] min. gold in mating area and inside wire barrel over 0.00127 [.000050] min. nickel underplate on entire contact.

³HDM Applicator part number ending in -1, is used on AMPOMATOR CLS Machine with T or G Terminators, -2 is used on AMP-O-LECTRIC Model K Machine, -4 & -6 are used on AMP-O-LECTRIC Model G Machine. See pages 72-73 for further information.

⁴Socket Contact—0.254 [.010] stock thickness

Notes:

- AMP recommends split pins be used in housings having 6, 8, 12 and 15 circuits to reduce mating force.
- Phosphor bronze material contacts are available for use in high temperature/humidity cycling applications, consult AMP.

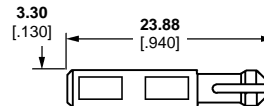
UMNL II Keying Plug/ Splash Proof Sealing Plug

Related Product Data:

Housings—page 55

Instruction Sheets

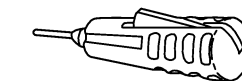
408-3392



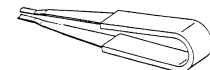
Part Number 770377-1
UL 94V-0 Nylon material



Seal Latch Tool
Part No. 794381-1
IS 408-3392



Contact Extraction Tool
Part No. 318851-1
IS 408-4370



Contact Insertion Tool (For inserting contacts applied to small diameter wire)
Part No. 91002-1
IS 408-7347

Splash Proof/Sealed Universal MATE-N-LOK Connectors (Continued)

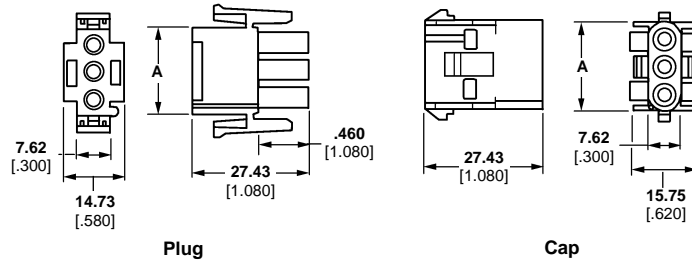
Housings

Free Hanging or Panel Mount

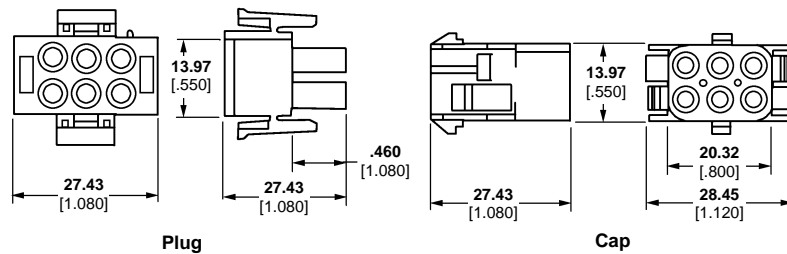
.250 [6.35] Centerline spacing

Plugs and caps can accept pin or socket contacts

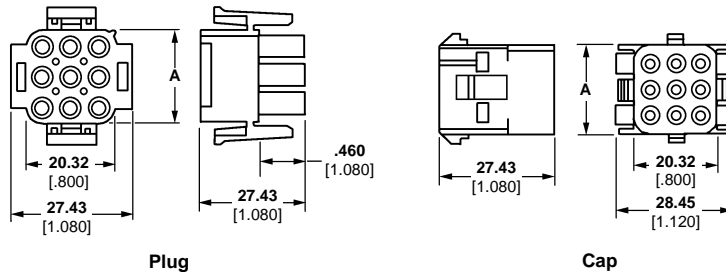
2, 3, 4, 5, 6, 8 and 10 Circuit, In-Line



6 Circuit, Matrix



9, 12 and 15 Circuit, Matrix



Number of Circuits	A Dim.	Housing Part Numbers			
		UL 94V-2 Nylon, Natural Color		UL 94V-0 Nylon	
		Plug	Cap	Plug	Cap
2	13.97 .550	1-480698-0 ¹	1-480699-0 ¹	350777-1 ¹	350778-1 ¹
3	20.32 .800	1-480700-0 ¹	1-480701-0 ¹	350766-1 ¹	350767-1 ¹
4	26.67 1.050	1-480702-0 ¹	1-480703-0 ¹	350779-1 ¹	350780-1 ¹
6	—	1-480704-0	1-480705-0	350715-1	350781-1
9	20.32 .800	1-480706-0	1-480707-0	350720-1	350782-1
12	26.67 1.050	1-480708-0	1-480709-0	350735-1	350783-1
15	33.02 1.300	1-480710-0	1-480711-0	350736-1	350784-1

¹In-Line style.

SSC (Sealed Sensor Connector) System

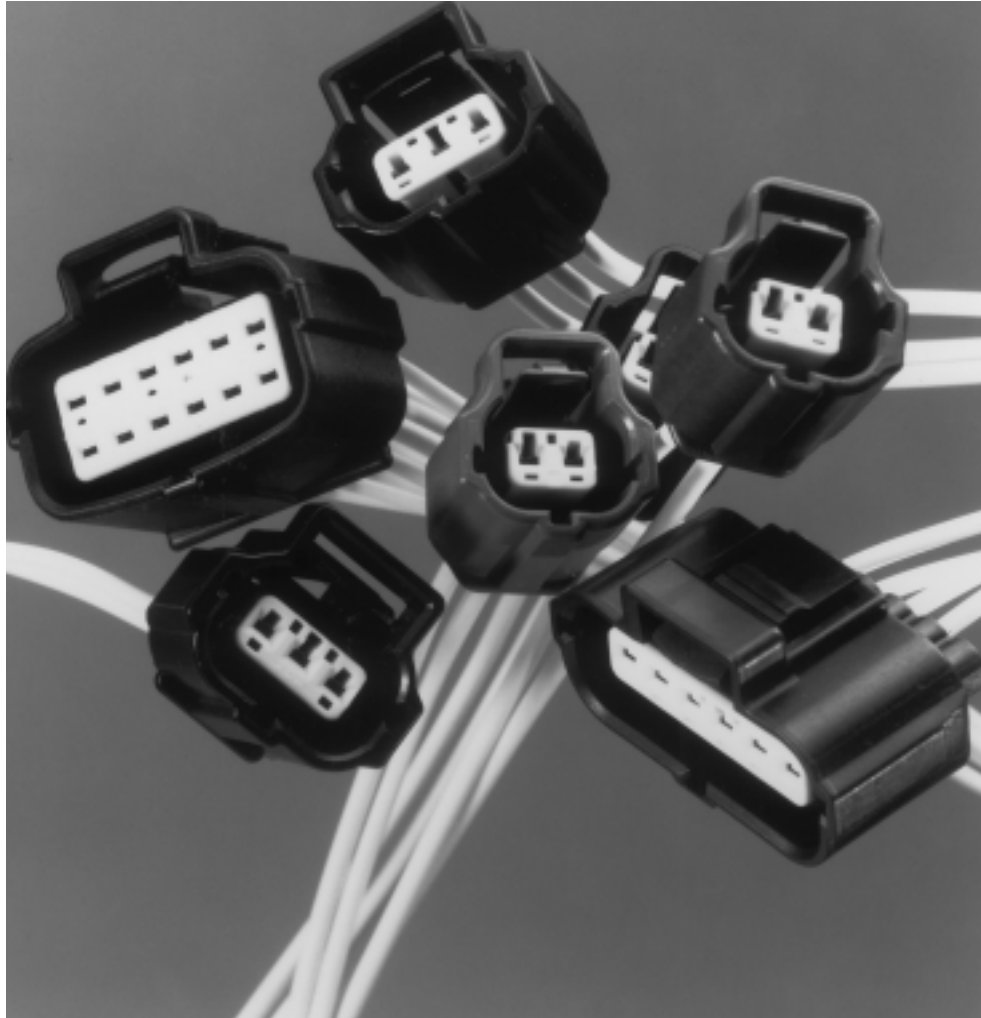
Features

- Robust housing, glass filled PBT for high temperature applications
- Terminal Position Assurance (TPA) to assure proper position of contact in housing
- Damage protected internal silicone seal interface
- Industry common .070 series receptacle and tab available in gold or tin plate
- High density 5mm centerline spacing
- Audible "Click" during mating
- Multiple positions available
- Multiple keying and housing colors available

Technical Documents:

Product Specification:
108-1790

Application Specification:
114-8004



The AMP SSC System has been developed to meet the severe requirements of the automotive under hood environment.

However, the system's waterproof and high temperature capabilities make it ideal for many different severe environmental applications.

Both the wire seal and the connector seal ring are made of high temperature silicone and have 3 sealing ridges on their external circumferences for effective sealing and ease of assembly and connector mating.

Wire sealing is achieved by means of an individual wire seal which is inserted on the

wire and crimped in the insulation support of the contact simultaneously with the contact. Interfacial sealing is achieved with a pre-assembled seal ring located in the plug assembly.

Another important feature of the plug assembly is the yellow double-lock plate. This preassembled plate is shipped in the "open" position and once closed provides additional retention of the contact in the housing as well as helping to detect contacts which are not fully seated.

Also, when mating, the AMP SSC Housing provides an audible "click" to indicate proper connector mating. For applications where more than

one connector is required, various keying and colors are available.

The contact used in the system is an industry standard .070 tab and receptacle and comes in tin or gold platings.

Performance Specifications:

Resistance:
3 m Ω max. (initial)
10 m Ω max. (final)

Insulation Resistance:
100 m Ω max. (initial)

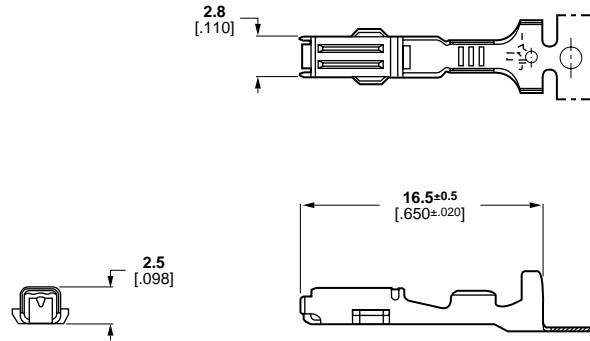
Dielectric Strength:
1.0 K Vac

Sealing:
7 Psi initial
4 Psi after heat age
Conforms to IEC 529 I.P. 65/67 standard

Temperature Range:

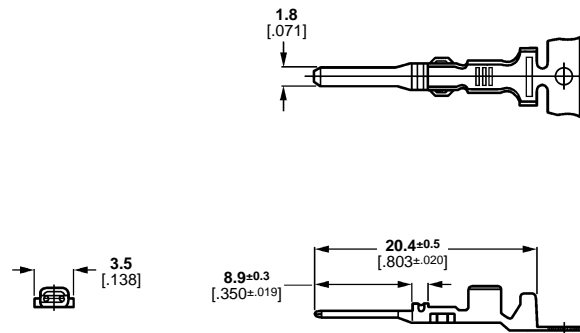
SSC (Sealed Sensor Connector) System (Continued)

Receptacles



Wire Range		Wire Ins. Dia.	Material and Finish	Part Number	Tooling	
AWG	mm ²				Applicator	Hand Tool
20-14	0.50-1.25	1.2-2.7	Phos. Bro./Pre-tin Phos. Bro./Select Gold	184030-3 184030-1	680144-2	755262-1
22-18	0.50-1.00	1.2-2.1	Phos. Bro./Select Gold Phos. Bro./Pre-tin	184095-1 184095-2	680143-2 680143-2	—

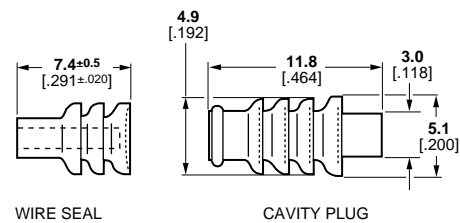
Tabs



Wire Range		Wire Ins. Dia.	Material and Finish	Part Number	Tooling	
AWG	mm ²				Applicator	Hand Tool
20-16	0.50-1.25	2.0-2.6	Brass/Pre-tin Brass/Select Gold	171661-1 171661-2	567266-2	755241-1

Wire Seal (Crimp with Contact) and

Cavity Plug (for Unloaded Cavity)



Description	Wire Insulation Diameter	Material (color)	Part Number
Wire Seal	1.2-1.7	Silicone (blue)	184139-1
	1.6-2.1	Silicone (orange)	184140-1
	2.2-2.7	Silicone (purple)	184141-1
Cavity Plug	—	NBR (black)	172748-1
	—	NBR (grey)	172748-2

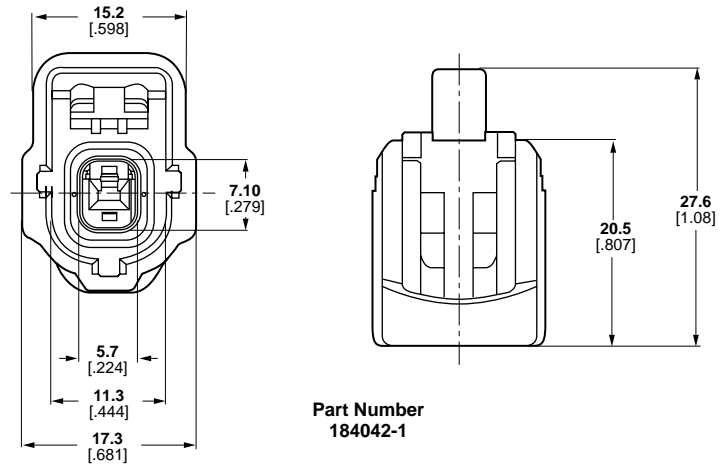
SSC (Sealed Sensor Connector) System (Continued)

Plug Assemblies

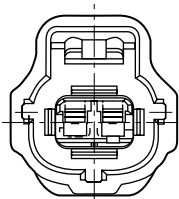
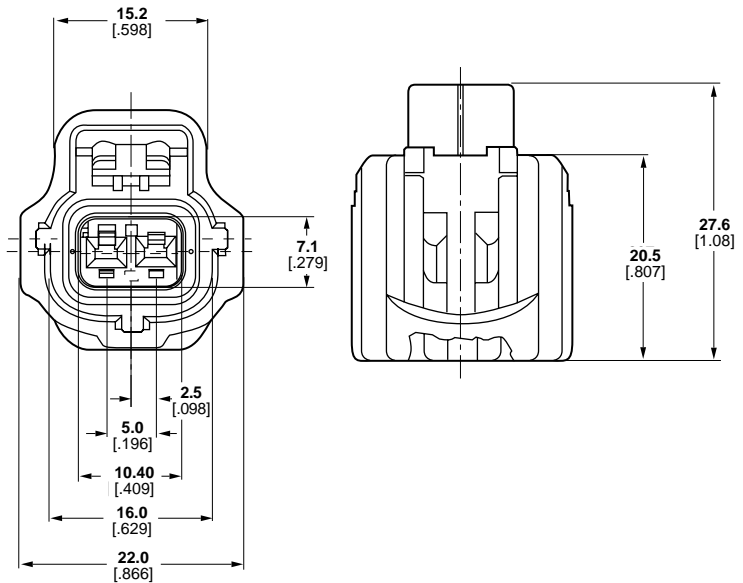
Material and Finish:

- Housing—Glass-filled PBT
- Seal Ring—Silicone
- Double-Lock Plate—PBT, yellow

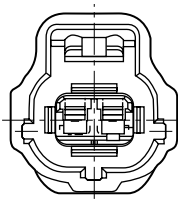
One Position



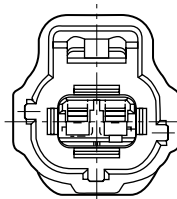
Two Position



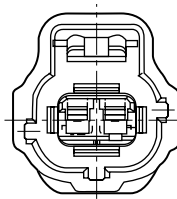
184000-1
BLACK, KEY A



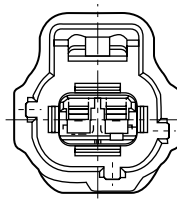
184002-1
GRAY, KEY B



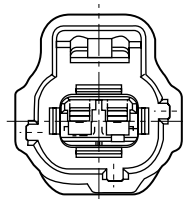
184004-1
BLACK, KEY C



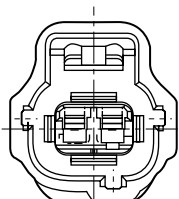
184006-1
GREEN, KEY D



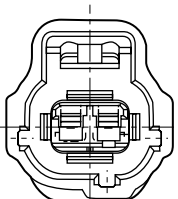
184008-1
BLACK, KEY E



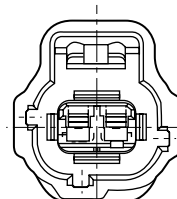
184010-1
BLACK, KEY F



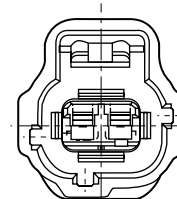
184012-1
GREY, KEY G



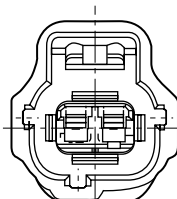
184014-1
BLACK, KEY H
184014-2
GREEN, KEY H
184014-3
BROWN, KEY H



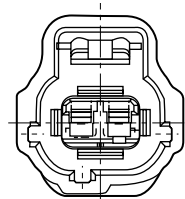
184016-1
BLACK, KEY J



184018-1
BLACK, KEY K



184020-1
NATURAL, KEY L

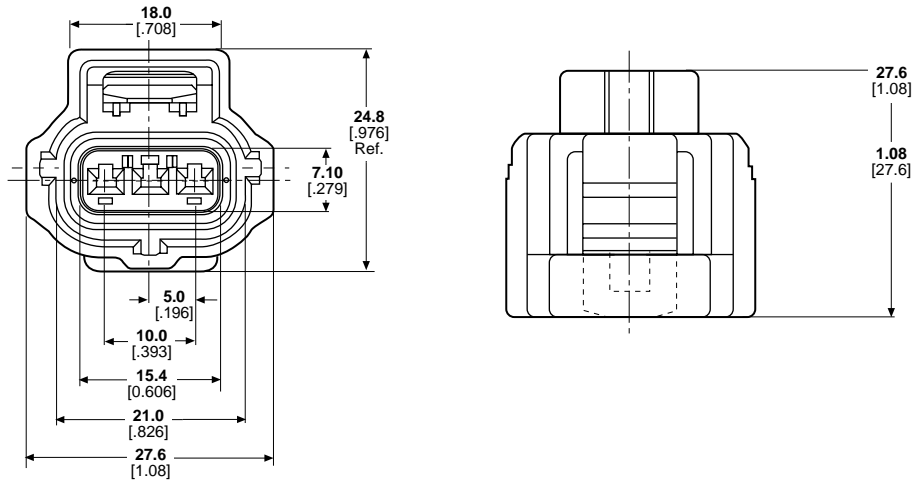


184022-1
BLACK, KEY M

SSC (Sealed Sensor Connector) System (Continued)

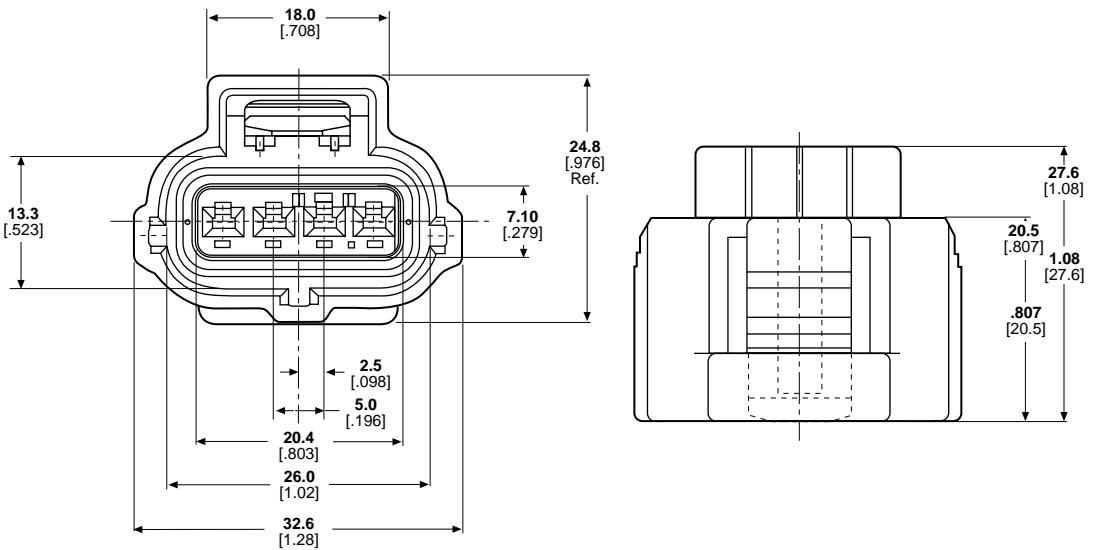
Plug Assemblies (Continued)

Three Position



Part Number 184032-1
Black

Four Position

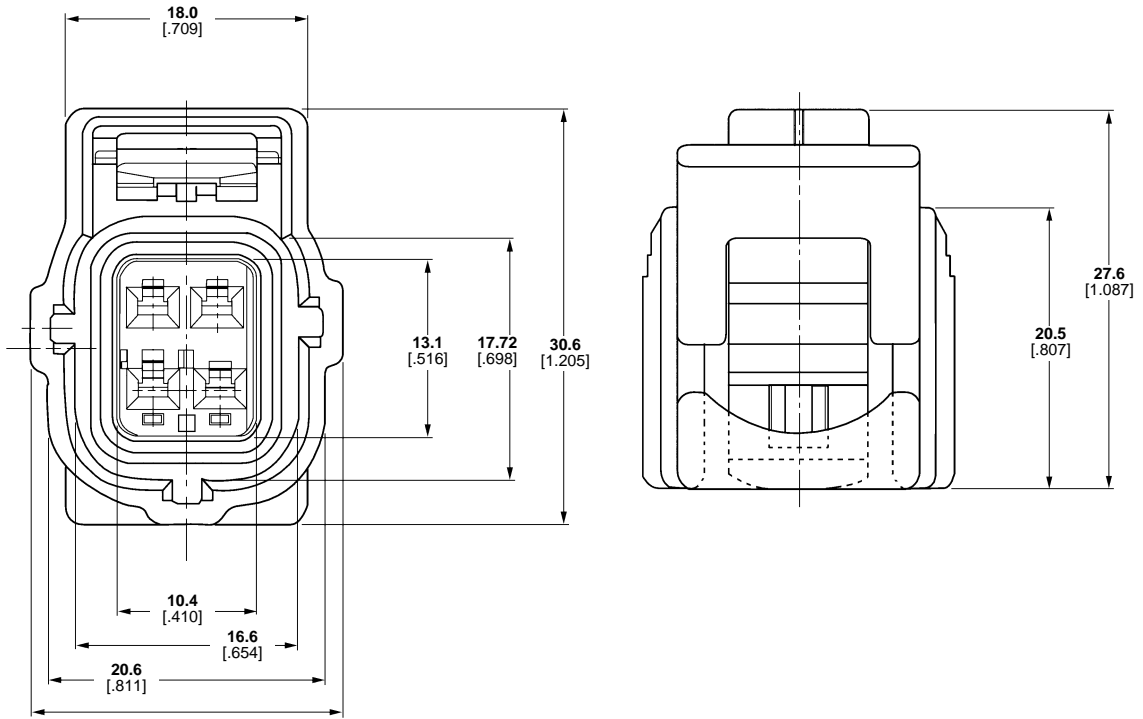


Part Number 184046-1
Black

SSC (Sealed Sensor Connector) System (Continued)

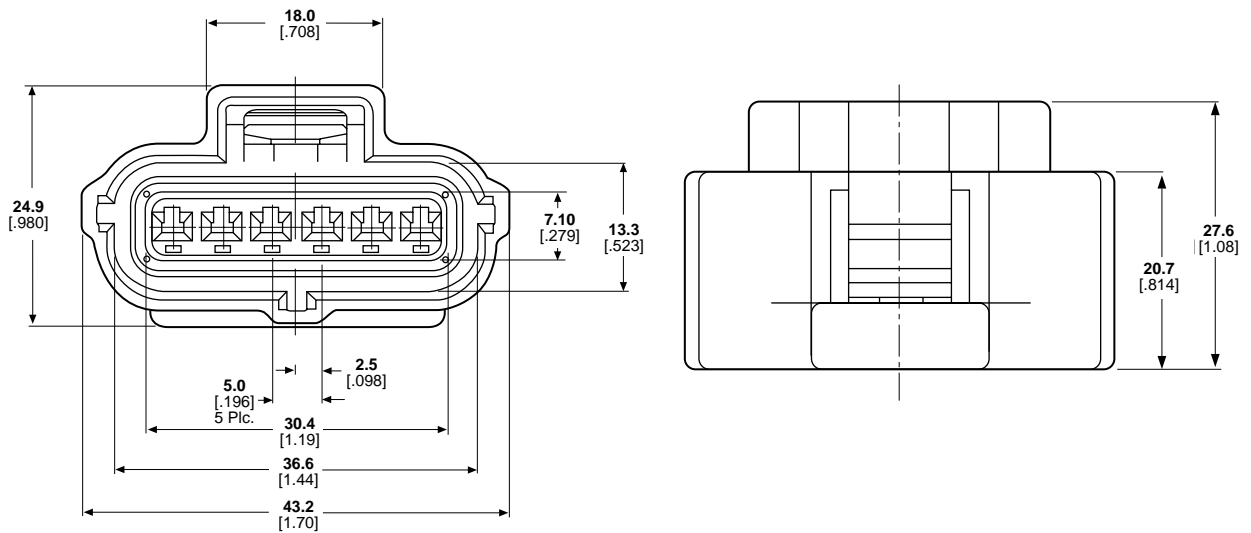
Plug Assemblies (Continued)

Four Position 2x2



Part Number 184248-1
Black

Six Position

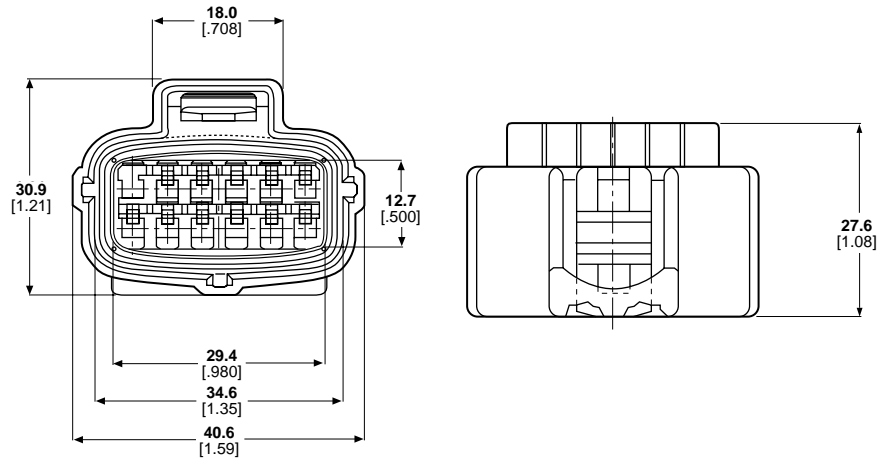


Part Number 184060-1
Black

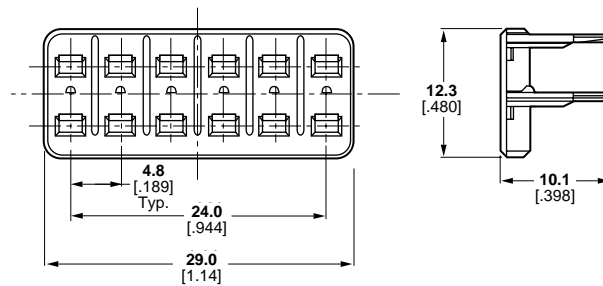
SSC (Sealed Sensor Connector) System (Continued)

Plug Assemblies (Continued)

Twelve Position



Part Number—See chart page 55 for possible combinations



Part Number 184058-1
Double-Lock Plate (Yellow)

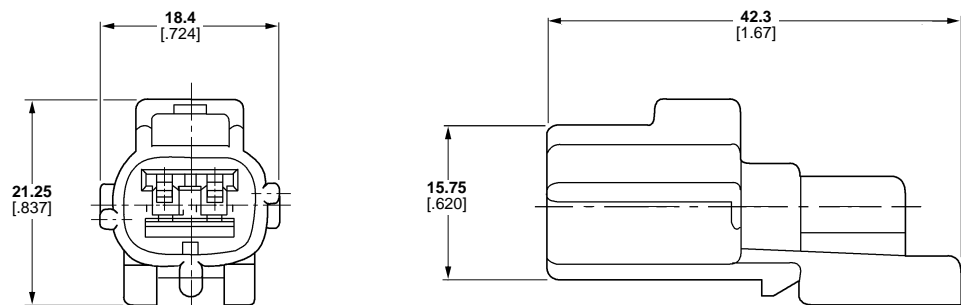
CAP Housings and Lock Plates

Material:

Housing—Glass-filled PBT

Lock Plate—PBT, yellow

Two Position



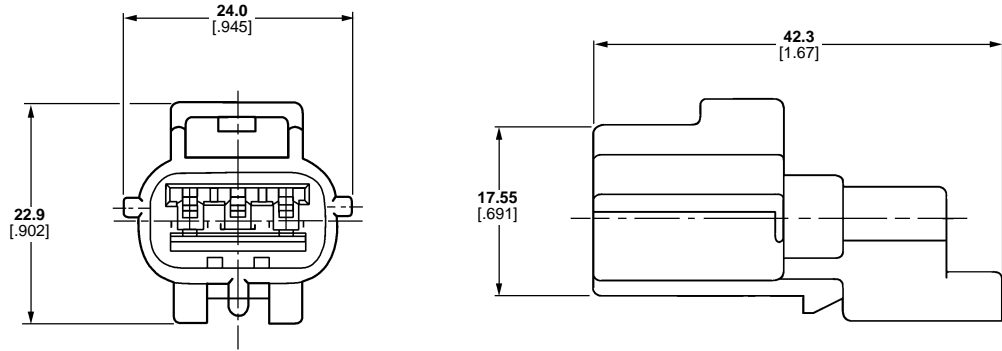
CAP Housing Part Number—See chart on page 55 for possible combinations



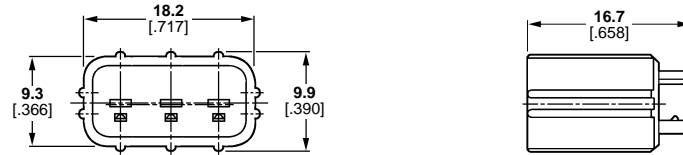
Lock Plate Part Number 184175-1

SSC (Sealed Sensor Connector) System (Continued)

Three Position



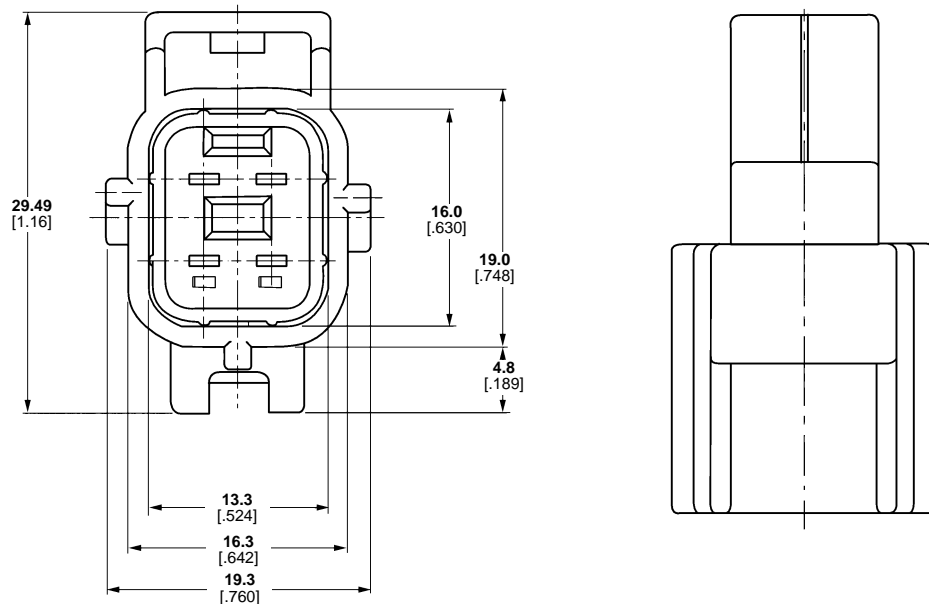
CAP Housing Part Number—See chart on page 55 for possible combinations



Lock Plate Part Number 184196-1

Note: CAP housings with circuits blocked for END CAP applications are available—contact product engineering.

Four Position 2x2



Part Number 184246-1
Black

SSC (Sealed Sensor Connector) System (Continued)

Connector Part Number List

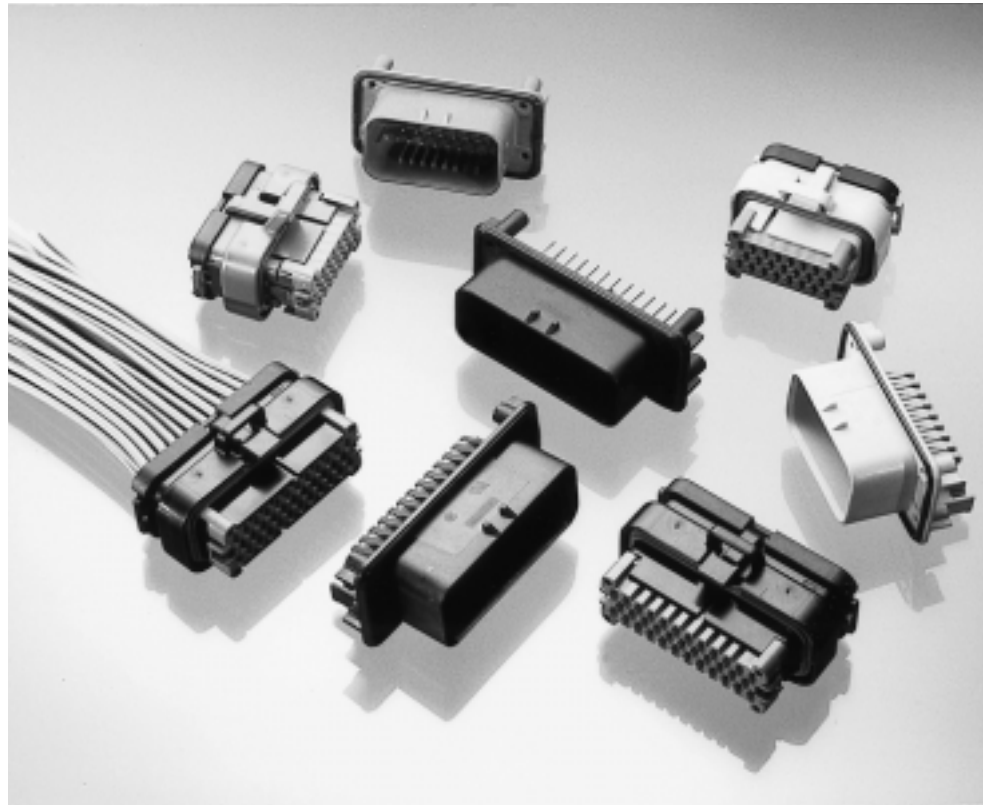
No. of Positions	Type	Keying	Color	Additional Notes	Part Numbers
1	Plug Assembly	A	Black		184042-1
1	Plug Assembly	A	Natural		184042-2
1	Plug Assembly	B	Black		184240-1
2	Plug Assembly	A	Black		184000-1
2	Plug Assembly	B	Gray		184002-1
2	Plug Assembly	C	Black		184004-1
2	Plug Assembly	D	Green		184006-1
2	Plug Assembly	D	Gray		184006-2
2	Plug Assembly	E	Black		184008-1
2	Plug Assembly	F	Black		184010-1
2	Plug Assembly	G	Gray		184012-1
2	Plug Assembly	H	Black		184014-1
2	Plug Assembly	H	Green		184014-2
2	Plug Assembly	H	Brown		184014-3
2	Plug Assembly	J	Black		184016-1
2	Plug Assembly	K	Black		184018-1
2	Plug Assembly	L	Natural		184020-1
2	Plug Assembly	M	Black		184022-1
2	Plug Assembly	H	Brown	Circuit #2 Blocked	184116-1
2	Cap Housing	A	Black		184163-1
2	Cap Housing	B	Black		184164-1
2	Cap Housing	C	Black		184165-1
2	Cap Housing	D	Black		184166-1
2	Lock Plate for Cap	—	Yellow	Required with all 2 pos. Cap Housings	184175-1
2	Plug Assembly	J	Black	High Temp Material for 150 C Rating	184207-1
3	Plug Assembly	A	Black		184032-1
3	Plug Assembly	B	Black		184034-1
3	Plug Assembly	C	Black		184036-1
3	Plug Assembly	D	Black		184038-1
3	Plug Assembly	A	Black	Circuit #2 Blocked	184292-1
3	Cap Housing	A	Black		184192-1
3	Cap Housing	B	Black		184193-1
3	Cap Housing	C	Black		184194-1
3	Cap Housing	D	Black		184195-1
3	Lock Plate for Cap	—	Yellow	Required with all 3 pos. Cap Housings	184196-1
4	Plug Assembly	A	Black		184046-1
4	Plug Assembly	B	Black		184048-1
4	Plug Assembly	C	Black		184050-1
4	Plug Assembly	D	Black		184052-1
6	Plug Assembly	A	Black	Circuits #1 and #6 Blocked	184026-1
6	Plug Assembly	A	Black		184060-1
6	Plug Assembly	B	Black		184124-1
6	Plug Assembly	C	Black		184126-1
6	Plug Assembly	D	Black		184128-1
2x2	Plug Assembly	A	Black		184248-1
2x2	Plug Assembly	A	Black	Circuit #2 Blocked	184282-1
2x2	Cap Assembly	A	Black		184246-1
12	Housing and Seal	A	Black	Circuit #6 Blocked	184056-1
12	Double Lock Plate	—	Yellow		184058-1
12	Housing and Seal	A	Black	Circuit #1 Blocked	184097-1
12	Housing and Seal	A	Black	Circuits #1, #7 and #8 Blocked	184099-1
12	Housing and Seal	A	Black		184115-1
12	Plug Assembly	A	Black	Circuits #1, #2, #3, #6, #7 and #8 Blocked	184286-1
12	Plug Assembly	A	Black	Circuits #1, #7, #8, #9 and #11 Blocked	184291-1

*Note: Assembly includes; Housing, Housing Seal and Double Lock Plate.

AMPSEAL Automotive Plug Connector and Header Assembly

Product Facts

- Sealing of interface, wires, and panel provides for environmental integrity
- Secondary contact locking and lanceless contacts ensure positive contact seating, without backout
- High-temperature materials available to withstand surface mount applications
- Lanceless receptacle contacts reduce tangling during storage and handling
- Integral latches firmly hold mated connector halves together without additional hardware
- Contacts accept 20 to 16 AWG wire with insulation diameter of 1.7 - 2.7 mm [.067 - .106 in.]
- Designed to comply to ISO-8092-2 Test Standard
- Mechanical and color keying
- Available in 8 position, 14 position, 23 position and 35 position right angle or vertical headers
- Temperature range
Gold pins +125° C
Tin lead +105° C
-40° C
- Available in tin-lead or gold
- Current rating up to 17 amps
- Recognized under the Component Program of Underwriters Laboratories Inc., File No. E28476



AMPSEAL automotive connectors provide rugged reliability, easy use, and superior environmental sealing. They are available in cable plugs and pc board-mounting headers that are designed to stand up to high-temperature underhood applications.

The preassembled plug connector features built-in contact sealing to eliminate individual wire-sealing grommets, while an integral interfacial seal protects mated connectors. All circuits are sealed by a diaphragm in the rubber wire seal. When the connector is assembled, the diaphragm is pierced as the contact passes through it. Unused circuit cavities remain sealed.

The housing uses a two-piece contact-holding design that provides secondary locking which protects against contact backout. After contacts are inserted into the housing, the housing snaps shut to firmly position all contacts.

The connectors use a three-row contact grid on 4-mm centerlines. Plastic pins can be used to plug empty cavities in applications requiring selective loading.

The pc board-mounting connector is designed to be flange mounted.

Available with or without a formed in place flange seal.

Material and Finish:

Housing—UL94V-0 rated thermoplastic

Contacts—

Receptacles—Copper nickel alloy

Pins—Copper zinc alloy

Seals—Silicone rubber

Header Gasket—Silicone rubber

Seal Plug—Nylon

Performance Specifications:

Product Specification
108-1329

Application Specification
114-16016

AMPSEAL Automotive Plug Connector and Header Assembly (Continued)

Connector Part Number List

No. of Positions	Type	Color	Additional Notes	Part Numbers
8	Plug Assembly	Black		776286-1
8	Plug Assembly	Natural		776286-2
8	Plug Assembly	Gray		776286-4
8	Plug Assembly	Blue		776286-5
8	Right Angle Header	Black	Without Seal, Tin Pins	776279-1
8	Right Angle Header	Natural	Without Seal, Tin Pins	776279-2
8	Right Angle Header	Black	Without Seal, Gold Pins	1-776279-1
8	Right Angle Header	Natural	Without Seal, Gold Pins	1-776279-2
8	Right Angle Header	Black	With Seal, Tin Pins	776280-1
8	Right Angle Header	Natural	With Seal, Tin Pins	776280-2
8	Right Angle Header	Black	With Seal, Gold Pins	1-776280-1
8	Right Angle Header	Natural	With Seal, Gold Pins	1-776280-2
8	Vertical Header	Black	Without Seal, Tin Pins	776275-1
8	Vertical Header	Natural	Without Seal, Tin Pins	776275-2
8	Vertical Header	Black	Without Seal, Gold Pins	1-776275-1
8	Vertical Header	Natural	Without Seal, Gold Pins	1-776275-2
8	Vertical Header	Black	With Seal, Tin Pins	776276-1
8	Vertical Header	Natural	With Seal, Tin Pins	776276-2
8	Vertical Header	Black	With Seal, Gold Pins	1-776276-1
8	Vertical Header	Natural	With Seal, Gold Pins	1-776276-2
14	Plug Assembly	Black		776273-1
14	Plug Assembly	Natural		776273-2
14	Plug Assembly	Gray		776273-4
14	Plug Assembly	Blue		776273-5
14	Right Angle Header	Black	Without Seal, Tin Pins	776266-1
14	Right Angle Header	Natural	Without Seal, Tin Pins	776266-2
14	Right Angle Header	Gray	Without Seal, Tin Pins	776266-4
14	Right Angle Header	Blue	Without Seal, Tin Pins	776266-5
14	Right Angle Header	Black	Without Seal, Gold Pins	1-776266-1
14	Right Angle Header	Natural	Without Seal, Gold Pins	1-776266-2
14	Right Angle Header	Gray	Without Seal, Gold Pins	1-776266-4
14	Right Angle Header	Blue	Without Seal, Gold Pins	1-776266-5
14	Right Angle Header	Black	With Seal, Tin Pins	776267-1
14	Right Angle Header	Natural	With Seal, Tin Pins	776267-2
14	Right Angle Header	Gray	With Seal, Tin Pins	776267-4
14	Right Angle Header	Blue	With Seal, Tin Pins	776267-5
14	Right Angle Header	Black	With Seal, Gold Pins	1-776267-1
14	Right Angle Header	Natural	With Seal, Gold Pins	1-776267-2
14	Right Angle Header	Gray	With Seal, Gold Pins	1-776267-4
14	Right Angle Header	Blue	With Seal, Gold Pins	1-776267-5
14	Vertical Header	Black	Without Seal, Tin Pins	776261-1
14	Vertical Header	Natural	Without Seal, Tin Pins	776261-2
14	Vertical Header	Gray	Without Seal, Tin Pins	776261-4
14	Vertical Header	Blue	Without Seal, Tin Pins	776261-5
14	Vertical Header	Black	Without Seal, Gold Pins	1-776261-1
14	Vertical Header	Natural	Without Seal, Gold Pins	1-776261-2
14	Vertical Header	Gray	Without Seal, Gold Pins	1-776261-4
14	Vertical Header	Blue	Without Seal, Gold Pins	1-776261-5
14	Vertical Header	Black	With Seal, Tin Pins	776262-1
14	Vertical Header	Natural	With Seal, Tin Pins	776262-2
14	Vertical Header	Gray	With Seal, Tin Pins	776262-4
14	Vertical Header	Blue	With Seal, Tin Pins	776262-5
14	Vertical Header	Black	With Seal, Gold Pins	1-776262-1
14	Vertical Header	Natural	With Seal, Gold Pins	1-776262-2
14	Vertical Header	Gray	With Seal, Gold Pins	1-776262-4
14	Vertical Header	Blue	With Seal, Gold Pins	1-776262-5
23	Plug Assembly	Black		770680-1
23	Plug Assembly	Natural		770680-2
23	Plug Assembly	Gray		770680-4
23	Plug Assembly	Blue		770680-5

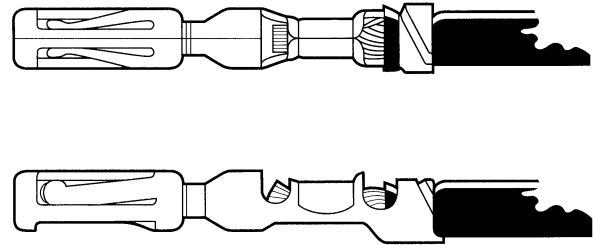
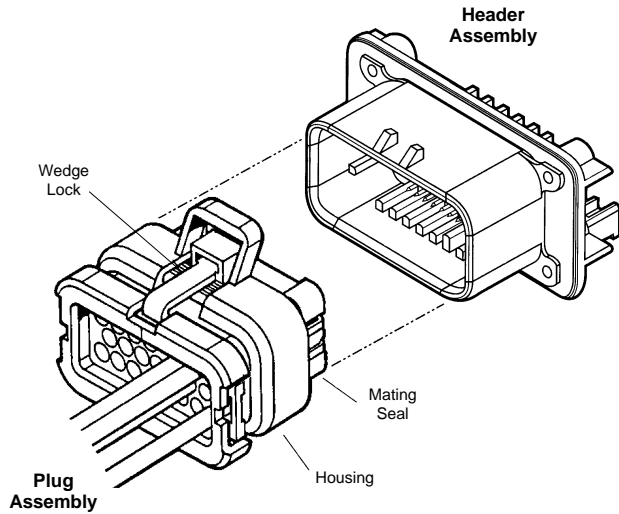
AMPSEAL Automotive Plug Connector and Header Assembly (Continued)

Connector Part Number List (Continued)

No. of Positions	Type	Color	Additional Notes	Part Numbers
23	Right Angle Header	Black	With Flange Seal, Tin Pins	776087-1
23	Right Angle Header	Natural	With Flange Seal, Tin Pins	776087-2
23	Right Angle Header	Gray	With Flange Seal, Tin Pins	776087-4
23	Right Angle Header	Blue	With Flange Seal, Tin Pins	776087-5
23	Right Angle Header	Black	With Flange Seal, Gold Pins	1-776087-1
23	Right Angle Header	Natural	With Flange Seal, Gold Pins	1-776087-2
23	Right Angle Header	Gray	With Flange Seal, Gold Pins	1-776087-4
23	Right Angle Header	Blue	With Flange Seal, Gold Pins	1-776087-5
23	Right Angle Header	Black	Without Flange Seal, Tin Pins	770669-1
23	Right Angle Header	Natural	Without Flange Seal, Tin Pins	770669-2
23	Right Angle Header	Gray	Without Flange Seal, Tin Pins	770669-4
23	Right Angle Header	Blue	Without Flange Seal, Tin Pins	770669-5
23	Right Angle Header	Black	Without Flange Seal, Gold Pins	1-770669-1
23	Right Angle Header	Natural	Without Flange Seal, Gold Pins	1-770669-2
23	Right Angle Header	Gray	Without Flange Seal, Gold Pins	1-770669-4
23	Right Angle Header	Blue	Without Flange Seal, Gold Pins	1-770669-5
23	Vertical Header	Black	Without Flange Seal, Tin Pins	776200-1
23	Vertical Header	Natural	Without Flange Seal, Tin Pins	776200-2
23	Vertical Header	Gray	Without Flange Seal, Tin Pins	776200-4
23	Vertical Header	Blue	Without Flange Seal, Tin Pins	776200-5
23	Vertical Header	Black	Without Flange Seal, Gold Pins	1-776200-1
23	Vertical Header	Natural	Without Flange Seal, Gold Pins	1-776200-2
23	Vertical Header	Gray	Without Flange Seal, Gold Pins	1-776200-4
23	Vertical Header	Blue	Without Flange Seal, Gold Pins	1-776200-5
23	Vertical Header	Black	With Flange Seal, Tin Pins	776228-1
23	Vertical Header	Natural	With Flange Seal, Tin Pins	776228-2
23	Vertical Header	Gray	With Flange Seal, Tin Pins	776228-4
23	Vertical Header	Blue	With Flange Seal, Tin Pins	776228-5
23	Vertical Header	Black	With Flange Seal, Gold Pins	1-776228-1
23	Vertical Header	Natural	With Flange Seal, Gold Pins	1-776228-2
23	Vertical Header	Gray	With Flange Seal, Gold Pins	1-776228-4
23	Vertical Header	Blue	With Flange Seal, Gold Pins	1-776228-5
35	Plug Assembly	Black		776164-1
35	Plug Assembly	Natural		776164-2
35	Plug Assembly	Gray		776164-4
35	Plug Assembly	Blue		776164-5
35	Right Angle Header	Black	Without Flange Seal, Gold Pins	1-776180-1
35	Right Angle Header	Natural	Without Flange Seal, Gold Pins	1-776180-2
35	Right Angle Header	Gray	Without Flange Seal, Gold Pins	1-776180-4
35	Right Angle Header	Blue	Without Flange Seal, Gold Pins	1-776180-5
35	Right Angle Header	Black	With Flange Seal, Gold Pins	1-776163-1
35	Right Angle Header	Natural	With Flange Seal, Gold Pins	1-776163-2
35	Right Angle Header	Gray	With Flange Seal, Gold Pins	1-776163-4
35	Right Angle Header	Blue	With Flange Seal, Gold Pins	1-776163-5
35	Vertical Header	Black	Without Flange Seal, Tin Pins	776230-1
35	Vertical Header	Natural	Without Flange Seal, Tin Pins	776230-2
35	Vertical Header	Gray	Without Flange Seal, Tin Pins	776230-4
35	Vertical Header	Blue	Without Flange Seal, Tin Pins	776230-5
35	Vertical Header	Black	Without Flange Seal, Gold Pins	1-776230-1
35	Vertical Header	Natural	Without Flange Seal, Gold Pins	1-776230-2
35	Vertical Header	Gray	Without Flange Seal, Gold Pins	1-776230-4
35	Vertical Header	Blue	Without Flange Seal, Gold Pins	1-776230-5
35	Vertical Header	Black	With Flange Seal, Tin Pins	776231-1
35	Vertical Header	Natural	With Flange Seal, Tin Pins	776231-2
35	Vertical Header	Gray	With Flange Seal, Tin Pins	776231-4
35	Vertical Header	Blue	With Flange Seal, Tin Pins	776231-5
35	Vertical Header	Black	With Flange Seal, Gold Pins	1-776231-1
35	Vertical Header	Natural	With Flange Seal, Gold Pins	1-776231-2
35	Vertical Header	Gray	With Flange Seal, Gold Pins	1-776231-4
35	Vertical Header	Blue	With Flange Seal, Gold Pins	1-776231-5

AMPSEAL Automotive Plug Connector and Header Assembly (Continued)

Contacts



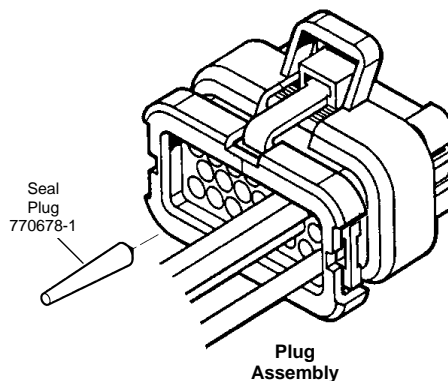
Type	Additional Notes	Part Numbers
Socket Contact	Tin	770520-1
Socket Contact	Gold	770520-3
Socket Contact	Tin, Loose Piece	770854-1
Socket Contact	Gold, Loose Piece	770854-3
Wire Seal Plug		770678-1

Wire		Applicator Part No.**	Hand Tool Part No.
Size (AWG)	Ins. Dia. Range		
20	1.7-2.7 .067-.106	567333-2	58440-1
18	1.7-2.7 .067-.106	567333-2	58440-1
16	1.7-2.7 .067-.106	567333-2	58440-1

**Dash 1 is used in "T" Terminator with automatic equipment. Dash 2 is used in the AMP-O-ELECTRIC Model "K" Machine 565435-5.
Refer to Applicator Instruction Sheet AI 8040 for applicator information.

Seal Plug

All circuits are sealed by a diaphragm in the rubber wire seal. During plug connector assembly, the diaphragm is pierced as the contact passes through it. Unused circuit cavities, unless accidentally perforated, will remain sealed. AMPSEAL Automotive Seal Plug **770678-1** is designed to keep out contaminants if diaphragm is pierced.



Mounting Clips

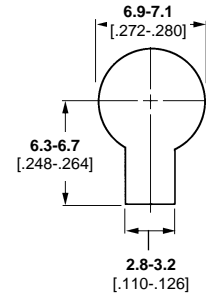
Panel cut-out dimensions are for reference only, see current AMP customer drawing for details.

For Econoseal J Series Mark II+ Connectors . . . Type 1

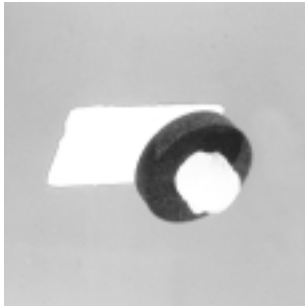


Part Number	Material and Color	Panel Thickness
85000-1	Nylon, Black	0.7-1.6 [0.028-0.063]

Panel Cut-Out Dimensions

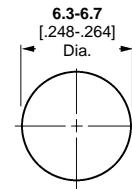


For Econoseal J Series Mark II+ Connectors . . . Type 2



Part Number	Material and Color	Panel Thickness
626897-1	Nylon, Natural	0.56-5.10 [.022-.201]

Panel Cut-Out Dimensions

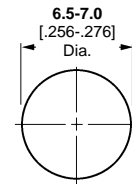


For Econoseal III, .250 Series Wire To Wire Connectors



Part Number	Material and Color	Panel Thickness
345485-1	Nylon, Black	0.8-1.6 [.031-.063]

Panel Cut-Out Dimensions

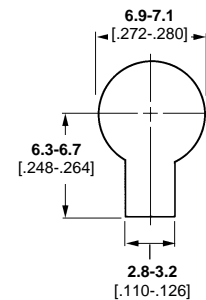


For .187 Series Sealed Connectors



Part Number	Material and Color	Panel Thickness
85003-2	Nylon, Black	2.5 [.098]

Panel Cut-Out Dimensions



Application Tooling

Applicators for Strip Mounted Contacts . . . List is in numerical order by contact part number.

Contact		Applicator Part Number			
Description	Strip Mounted Part Number	AMP-O-LECTRIC Model "K" Bench Machine*	AMP-O-LECTRIC Model "G" Bench Machine	AMPOMATOR CLS IV+ and Komax Lead-Making Machines	AMP-O-MATIC Stripper-Crimper Machine
Econoseal J Series Mark II+ Receptacle	171630 (-1 and -5)	567458-2	—	—	—
Econoseal J Series Mark II+ Tab	171631 (-1 and -2)	567376-2	—	—	—
Econoseal J Series Mark II+ Tab	171661 (-1 and -2)	567266-2	567266-3	—	—
Econoseal J Series Mark II+ Receptacle	171662 (-1, -2, & -5)	567317-2	567317-3	567317-1	567932-1
.187 Series Sealed Tab	175087-1				
.187 Series Sealed Tab	175088-1				
.187 Series Sealed Receptacle	175090-1				
.187 Series Sealed Receptacle	175091-1				
Applicators made to order. Call the TECHNICAL SUPPORT CENTER for information					
Econoseal III .250 Series Receptacle	175104-2	567317-2	567317-3	567317-1	567932-1
AMP SUPERSEAL 1.5 SERIES Tab	282109-1	567464-2	567464-3	—	—
AMP SUPERSEAL 1.5 SERIES Receptacle	282110-1	567465-2	—	—	—
AMP SUPERSEAL 1.5 SERIES Receptacle	282403-1	680295-2	680295-3	680295-1	—
AMP SUPERSEAL 1.5 SERIES Tab	282404-1	—	680155-3	680155-1	—
Applicators made to order. Call the TECHNICAL SUPPORT CENTER for information					
Superseal (3.5 mm Centers) Receptacle	282438-1				
AMP SUPERSEAL 1.5 SERIES Tab	282465-1	680419-2	680419-3	680419-1	—
AMP SUPERSEAL 1.5 SERIES Receptacle	282466-1	680070-2	—	680070-1	—
Econoseal III .250 Series Tab	344008-1	680007-2	—	680070-1	—
Econoseal III .250 Series Receptacle	344009-1	680010-2	680010-1	680010-1	—
Econoseal III .250 Series Tab	344069-1	680072-2	—	—	—
Econoseal III .250 Series Receptacle	344070-1	680369-2	680369-1	680369-1	—
Mini MULTILOCK Receptacle	917308-1				
Mini MULTILOCK Tab	917309-1				
Applicators made to order. Call the TECHNICAL SUPPORT CENTER for information					
Sealed Circular Connector (2.5 mm) Pin	929966-1	—	—	—	—
Sealed Circular Connector (2.5 mm) Pin	929967-1	680320-2	680320-3	680320-1	—
Sealed Circular Connector (2.5 mm) Pin	929968-1	680321-2	—	680321-1	—
Applicators made to order. Call the TECHNICAL SUPPORT CENTER for information					
Sealed Circular Connector (2.5 mm) Socket	929973-1				
Sealed Circular Connector (2.5 mm) Socket	929974-1	680320-2	680320-3	680320-1	—
Sealed Circular Connector (2.5 mm) Socket	929975-1	680321-2	680321-3	680321-1	—
Applicators made to order. Call the TECHNICAL SUPPORT CENTER for information					
Sealed Circular Connector (1.5 mm) Pin	929982-1				
Sealed Circular Connector (1.5 mm) Pin	929983-1	680320-2	680320-3	680320-1	—
Sealed Circular Connector (1.5 mm) Pin	929984-1	680321-2	680321-3	680321-1	—
Applicators made to order. Call the TECHNICAL SUPPORT CENTER for information					
Sealed Circular Connector (1.5 mm) Socket	929988-1				
Sealed Circular Connector (1.5 mm) Socket	929989-1	680320-2	680320-3	680320-1	—
Sealed Circular Connector (1.5 mm) Socket	929990-1	680321-2	680321-3	680321-1	—
Sealed Circular Connector (2.5 mm) Pin	962800-1				
Applicators made to order. Call the TECHNICAL SUPPORT CENTER for information					
Sealed MQS Receptacle	962885-1	680060-2	680055-3	680060-1	—
Sealed MQS Receptacle	962885-5	680060-2	680055-3	680060-1	—
Sealed MQS Receptacle	965906-1	680093-2	—	—	—

*The Model "K" has been superseded by the Model "G".

Related Tooling Data

Descriptions and Specifications

- Applicators—Page 71
- Bench Machines—Pages 71, 72
- CQM—Page 72
- Lead Makers—Page 73
- Wire Strippers—Page 74

FOR APPLICATION TOOLING ASSISTANCE CALL 1-800-522-6752

Application Tooling (Continued)

Hand Tools for Loose Piece Contacts . . . List is in numerical order by contact part number.

Description	Contact		Hand Tool	
	Loose Piece Part Number	Strip Mounted Part Number (For Reference)	Part Number With Die Set	Description
Econoseal J Series Mark II+ (Note 2)	173600-1	171631-1	753890-1	CERTI-CRIMP Straight Action Hand Tool
	171699-1	171630-1		
	173706-1	171661-1	755241-1	CERTI-CRIMP Double Action Hand Tool
	173707-1	171662-1	755262-1	
AMP SUPERSEAL 1.5 SERIES (Note 3)	183036-1	282404-1	—	PRO-CRIMPER II Hand Tool and Die Set (Die Set Part Number 58583-2 also available separately.)
	183024-1	282109-1	58583-1	
	183035-1	282403-1	—	
	183025-1	282110-1	58583-1	
Econoseal III .250 Series (Note 4)	344991-1	344069-1	525316-3	CERTI-CRIMP Hand Tool With Die Set
	344989-1	344008-1	525316-1	
	344995-1	344070-1	525316-4	
	344993-1	344009-1	525316-1	
Sealed Circular Connectors	(Note 1)	929967-1 (Note 1)	58606-1	PRO-CRIMPER II Hand Tool and Die Set (Die Set Part Number 58606-2 also available separately.)
Sealed Circular Plastic Connectors (Note 5)	213845-3,-4	213845-1,-2	Hand Tool 69710-1	CERTI-CRIMP "C" Head Hand Tool
	213847-3,-4	213847-1,-2	Requires Die Set 356612-1	
	213841-3,-4	213841-1,-2	Hand Tool 69710-1	
	213843-3,-4	213843-1,-2	Requires Die Set 356611-1	
Splash Proof/Sealed Universal MATE-N-LOK Connectors (Note 6)	350690-1,-2,-3,-7	350561-1,-2,-3,-7	90300-2 or 90548-1	CERTI-CRIMP Straight Action Hand Tool or PRO-CRIMPER II Hand Tool and Die Set (Die Set Part Number 90548-2 also available separately.)
	350706-1,-2,-7	350689-1,-2,-3,-7		
	640347-2	350851-1,-2,-7	—	—
	350689-1,-3,-7	350570-3,-6	—	—
	—	770210-1	—	—
	350547-1,-2,-3,-6,-7	350218-1,-2,-3,-6,-7	90296-2 or 90546-1	CERTI-CRIMP Straight Action Hand Tool or PRO-CRIMPER II Hand Tool and Die Set (Die Set Part Number 90546-2 also available separately.)
	350705-1,-2,-7	350687-1,-2,-7		
	350669-1	350684-1		
350550-1,-2,-3,-6,-7	350356-1,-2,-3,-6,-7	—	—	

Notes:

1. A loose piece part number is not currently available. This hand tool is designed to crimp the strip mounted product after removal from the carrier.
2. These hand tools are not designed to crimp strip mounted product. Loose piece insulation support barrels are different than those of strip mounted product. Wire barrel designs of the 173706-1 and 173707-1 also differ from the strip mounted product.
3. This hand tool will also crimp the strip mounted product after removal from the carrier.
4. These hand tools are not designed to crimp strip mounted product. The loose piece wire and insulation support barrels are different than those of the strip mounted product.
5. For strip mounted contacts, use Extraction Tool **Part Number 318813-1**.
6. For loose piece contacts (except 350669-1) and strip mounted contacts (except 350684-1 and 350356-□), use Extraction Tool **Part Number 318851-1**. For strip mounted contacts (except 350356-□, 350684-1 and 350689-□), use Insertion Tool **Part Number 455830-1**.

Related Tooling Data

Descriptions and Specifications

Hand Tools—Pages 74, 75
Wire Strippers—Page 74
626 Pneumatic Tool System—
Page 74

FOR APPLICATION TOOLING ASSISTANCE CALL 1-800-522-6752

Application Tooling (Continued)

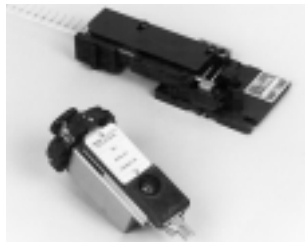
Side-Feed Heavy-Duty Miniature Applicators (coded HDM)



Interchangeable applicators for crimping products reeled side-by-side on single or dual carrier strips (primarily closed-barrel terminals and open-barrel contacts). Similar design as the end-feed version. All side-feed applicators include a wire stop to help correctly position the wire end in the crimping target area.

For more information, request Instruction Sheet **408-8040**.

Stripper-Crimper Applicators (coded SCA)



Interchangeable applicators for crimping products in AMP-O-MATIC Stripper-Crimper Machines. Consist of separate ram and lower tooling assemblies. Similar dial-in settings for different wire sizes and insulation diameters as HDM applicators. Available with sensors for use with the Crimp Quality Monitor.

For more information, request Catalog **65004 (AMP-O-MATIC Stripper-Crimper Machines)**, Catalog **82275 [Crimp Quality Monitor (CQM)]**.

AMP-O-MATIC Stripper-Crimper Machines, 854040-3, -4



Semiautomatic bench crimping machines that also strip the wire, and are therefore used for terminating jacketed cable. Feature manual precision adjustment of crimp height, keyed strip blades for faster, more accurate setups, and an efficient scrap removal system. All adjustments can be made from the front of the machines without special tools. Available with crimp quality monitoring.

Specifications

Width—14 [355]

Depth—18 [457]

Height—33 [838] without reel

Weight—150 lb [68 kg]

Electrical—120 VAC, 50 or 60 Hz, .5 A

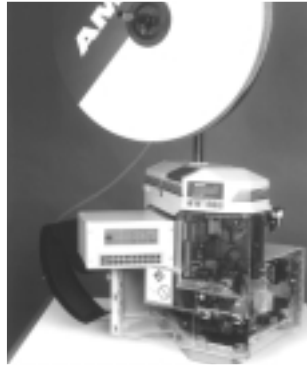
Air—80-100 psi [5.52-6.90 bar], 3.5 scfm [0.00165 m³/s]

Wire Range—32-14 AWG [0.03-2 mm²]

For more information, request Catalog **65004**, Video **198075**, Catalog **82275 [Crimp Quality Monitor (CQM)]**, Video **198094**.

Application Tooling (Continued)

AMP-O-LECTRIC Model "G" Terminating Machines, 354500-1, -9, -11



Semiautomatic bench machines for crimping reeled terminals and contacts, featuring a quiet and reliable direct motor drive, microprocessor controls for ease of setup and operation, and guarding and lighting designed for operator convenience and safety. All models are equipped with either manual or automatic precision adjustment of crimp height. Machine-mounted sensors are available for crimp quality monitoring using conventional miniature-style applicators.

Specifications

Width—18.7-25.3 [475-643] depending on applicator type
Depth—21.5-28.1 [546-713] depending on applicator type
Height—20 [508]
Weight—240 lb [110 kg]
Electrical—120 or 220 VAC, 50 or 60 Hz; 310 VA
Air—90-110 psi [6.21-7.59 bar], 6 scfm [0.00282 m³/s] when required with air-feed applicators
Wire Range—26-10 AWG [0.12-6 mm²] solid or stranded, depending on product applied
 For more information, request Catalog **65828**, Video **198116**, Catalog **82275 [Crimp Quality Monitor (CQM)]**, Video **198094**.

Crimp Quality Monitor (CQM)

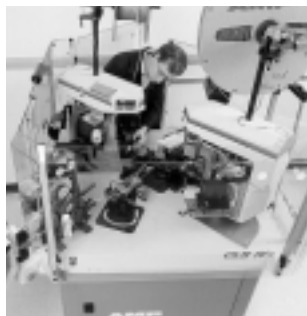


The unique system provides 100% on-the-fly crimp inspection. It measures the crimp height of each termination, and evaluates the quality of each crimp. If a crimp is questionable, the monitor alerts the operator with both visual and audible alarms. It also provides ports for printing and networking. When used with AMP-O-LECTRIC Model "G" Termination Machines, the monitor is mounted to the machine. When used with AMPOMATOR CLS IV Lead Making Machines, it is integrated into the machine's operating system.

Specifications

Width—8.5 [216]
Depth—9 [229]
Height—4.5 [114]
Electrical—120 VAC, 50 or 60 Hz, or 200 VAC, 50 or 60 Hz
 For more information, request Catalog **82275**.

AMPOMATOR CLS IV+ Lead-Making Machines, 356500-1, -2



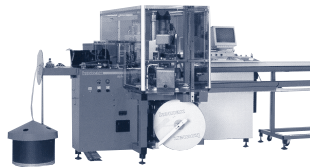
Fully-automatic machines that measure, cut, strip and terminate single leads. Microprocessor-controlled, and programmed and operated using an easy-to-follow, menu-driven touchscreen. Features include direct-drive terminating units with precision crimp height adjustment, fully programmable setups, wire runout and splice detection, and motorized pre-feed with wire straightener. Crimp quality monitoring is also available.

Specifications

Width—159 [4 040]
Depth—68 [1 730]
Height—86 [2 185] with 24 [610] dia. reel
Weight—2 000 lb [907 kg]
Electrical—220 VAC, 50 or 60 Hz, single phase, 25 A, with neutral and ground
Air—90 psi [6.21 bar], 15 scfm [0.0071 m³/s] sustained
Wire Range—26-10 AWG [0.12-6 mm²] stranded, 26-16 AWG [0.12-1.4 mm²] solid
Lead Lengths—3-90 [76.2-2 285], 90-1 000 [2 285-25 400] with long lead conveyors
 For more information, request Catalog **124324**, Video **198142 (NTSC)**, **199609 (PAL)**.

Application Tooling (Continued)

Komax 411 alpha Lead-Making Machine

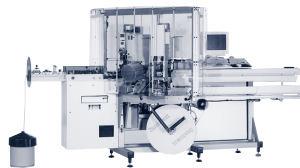


Designed with flexibility and expandability in mind, the Komax 411-S alpha can accommodate up to three processing stations. In the standard version, stations 2 and 3 are equipped with a crimping press. Station 1 can be with a seal applicator. Optional equipment is available for other processes such as tinning, marking, and intermediate stripping. Other features include fast terminal reel exchange, graphic user interface, and good/bad sorting.

Specifications

Width—147 [3 722] with wire deposition 2 meter; 225 [5 722] with wire deposition 4 meter
Depth—63 [1 610]
Height—106 [2 700] with cover open; 75 [1 900] with cover closed
Weight—2 293 lb [1 040 kg] with two crimp terminators
Electrical—208-460 VAC, 50-60 Hz, three phase, 20 kVA
Air—72-87 psi [5-6 bar], 4.6 scfm [8 m³/h]
Wire Range—24-12 AWG [0.22-4 mm²], optional up to 10 AWG [6 mm²]
Lead Lengths—2.4-394 [60-10 000], optional from 1.18 [30]
 For more information, request Catalog **1307790**

Komax 433-S alpha Lead-Making Machine



The 433-S alpha offers maximum flexibility for applying seals to one or both ends of the wire with the corresponding terminal. When equipped with the mci 711 crimp terminator and mci 761 seal applicator, the fully-automated 433-S alpha forms a highly compact system with optimum accessibility. Dynamic servo-drives provide fine travel settings on all motor axes and the wire straightening unit with quick-release lock and automatic lead-in feature reduces wire changeover time. The TopWin software provides for fast, simple data input.

Specifications

Width—151 [3 823]
Depth—67 [1 698]
Height—114 [2 900] with cover open; 79 [2 000] with cover closed
Weight—2 381 lb [1 080 kg] with two mci 711 or two mci 761
Electrical—208-480 VAC, 50-60 Hz, three phase, 10 kVA
Air—72-87 psi [5-6 bar]
Wire Range—24-10 AWG [0.20-6 mm²]
Lead Lengths—2.4-2 559 [60-65 000]
 For more information, request Catalog **1307801**

Komax gamma 333 PC Lead-Making Machine



This fully-automatic, PC-controlled leadmaker can be equipped with up to three processing stations enabling the crimping of both ends of the wire, double-crimp connections with three different contacts, single-ended seal applications, tinning or ink-jet marking. Features include ultra-short conversion times, easy-to-use graphic-based TopWin interface with multiple-language capability, crimp force analyzer with statistical analysis, seal monitoring, and integrated

Specifications

Width—124 [3 137]
Depth—54 [1 377]
Height—105 [2 670] with cover open; 71 [1 790] with cover closed
Weight—1 852 lb [840 kg] with two crimp modules
Electrical—208-480 VAC, 50-60 Hz, three phase, 6 kVA
Air—72-87 psi [5-6 bar], 3.8 scfm [6.5 m³/h]
Wire Range—26-10 AWG [0.12-6 mm²]
Lead Lengths—2.36-393 [60-10 000]
 For more information, request Catalog **1307823**.

Application Tooling (Continued)

Automatic Cut and Strip Machine, 1214316-1



Fully electric, microprocessor-controlled bench machine for processing wire and round and flat cable. Features LED display prompts for easy-to-follow setups and operation, automatic wire loading and unloading, and universal V-type blades. Prefeeder, 1214317-1, and wire stacker, 1214318-1, available for unattended operation. Process 5 200 wires per hour (22 AWG [0.3 mm²], 4 [100] length, partial strip

Specifications

Width—14.6 [370]
Depth—16.1 [410]
Height—10.8 [275]
Weight—48.6 lb [23 kg]
Electrical—120 or 220 VAC, 50 or 60 Hz, 160 VA
Wire Range—32-10 AWG [0.05-6 mm²] stranded, 32-16 AWG [0.05-1.5 mm²] solid
Wire Lengths—.04 [1.0]-3 280 ft [1 000 m]
Strip Lengths—up to 1.77 [45]
 For more information, request Catalog **1307238**.

Semiautomatic Wire Stripper Machine, 1214315-1



Compact, lightweight, air-powered bench machine for stripping wires up to 14 AWG [1.65 mm²], and cable up to .13 [3.2] OD. Features automatic sensor activation and universal V-type blades for processing varying wire sizes without changing blades. Full or partial stripping. Approximately .3 sec. machine cycle time for longest strip length.

Specifications

Width—2.5 [60]
Depth—9.0 [220]
Height—6.5 [160]
Weight—5.3 lb [2.4 kg]
Air—75-105 psi [5.17-7.24 bar], .01 ft³ [0.00028 m³]/operation
Wire Range—32-14 AWG [0.05-1.65 mm²]
Strip Lengths—.06-.79 [1.5-20]
 For more information, request Catalog **1307238**.

626 Pneumatic Tool System



Lightweight, air-operated modular tooling system. Accepts a wide variety of interchangeable heads for crimping various types of contacts, terminals and splices onto wires ranging 6-26 AWG [13-0.12 mm²], plus coaxial and fiber optic cable. Available with either hand- or foot-actuation switch. Optional ratchet control available to provide complete crimp cycle.

Specifications

Outside Diameter—1.83 [46.5]
Length—11.6-12.9 [295-327]
Grip Span—2.19 [55.6] over button/handle
Weight—2.3-3.3 lb [1.0-1.5 kg]
Air—90-100 psi [6.21-6.89 bar], 11.14 in³ [0.00018 m³]
Cycle Time—0.7-0.8 sec (16-14 AWG [1.3-2 mm²] PIDG Terminals)
 For more information, request Catalog **124208**.

Application Tooling (Continued)

CERTI-CRIMP "C" Head Straight Action Hand Tool (SAHT), 69710-1



Premium grade hand tool. Features ratchet control to provide complete crimp cycle. The interchangeable die sets close in a straight line to minimize contact or terminal rotation during crimping. When applicable, user-assist features, such as a contact or terminal locator and a wire stop, are built into the die set. Approximate weight 1.9 lb [0.86 kg].

For more information, request Catalog **65780**, Instruction Sheet **408-2095**.

PRO-CRIMPER II Hand Tool, 354940-1



Commercial grade hand tool for crimping various products. Features ratchet control to provide complete crimp cycle. Accepts both pinned- and shouldered-style die sets. Locators are provided with pinned-style die sets for proper contact and wire positioning, and to help minimize contact rotation and bending during crimping. Approximate weight 1.3 lb [0.60 kg].

For more information, request Catalog **82276**, Instruction Sheet **408-9930**.

CERTI-CRIMP Double Action Hand Tools (DAHT)



Premium grade hand tools. Feature ratchet control to provide complete crimp cycle. Die sets close in an arc-like path. When applicable, user assist features, such as a contact or terminal locator and a wire stop are included. Approximate weight 1.2 lb [0.54 kg]

For more information, request Catalog **65780**.

CERTI-CRIMP Straight Action Hand Tools (SAHT)



Premium grade hand tools. Feature ratchet control to provide complete crimp cycle. Die sets close in a straight line. Include a contact locator and wire stop, plus an insulation crimp adjustment lever, when applicable. Approximate weight 1.3 lb [0.59 kg]

For more information, request Catalog **65780**.

Note: This index lists all cataloged parts by base no. only. Complete part nos. (with prefixes and/or suffixes) are shown on the page(s) indicated.

Part Number Index

Part No.	Page	Part No.	Page	Part No.	Page	Part No.	Page
54010	42	179906	9	206037	40	282088	18, 20
54011	42	183024	18	206043	40	282089	18-20
54012	42	183025	18	206044	40	282090	18, 20
54123	42	183035	18	206060	40	282103	18, 20
81665	41	183036	18	206061	40	282104	18-20
85000	68	184000	58, 63	206062	46	282105	18-20
85003	68	184002	58, 63	206070	46	282106	18, 20
85011	25	184004	58, 63	206138	46	282107	18-20
85024	25	184006	58, 63	206150	40	282108	18, 20
171630	8-9	184008	58, 63	206151	40	282109	18
171631	8-9	184010	58, 63	206304	43	282110	18
171661	8-9, 57	184012	58, 63	206305	40	282403	18
171662	8-9	184014	58, 63	206306	40	282404	18
171699	8-9	184016	58, 63	206322	46	282438	28
172746	9	184018	58, 63	206358	46	282465	18
172748	9, 57	184020	58, 63	206429	40	282466	18
172888	9	184022	58, 63	206430	40	282934	19
173600	8-9	184026	63	206509	50	316390	22, 24-25
173706	8-9	184030	57	206512	46	318813	37
173707	8	184032	59, 63	206705	40	318851	54
173737	9	184034	63	206708	40	344008	15
174257	8	184036	63	206837	40	344009	15
174258	8	184038	63	206838	40	344069	15
174259	8	184042	63	206903	42	344070	15
174260	8	184046	59, 63	206966	46	344073	15-16
174262	8	184048	63	207008	46	344074	15-16
174263	8	184050	63	207052	43	344075	15-16
174264	8	184052	63	207055	48	344079	15-16
174265	8	184056	63	207241	49	344080	15-16
174352	8	184058	61, 63	207299	48	344081	15-16
174353	8	184060	60, 63	207387	49	344085	15
174354	8	184095	57	207445	42	344086	15
174355	8	184097	63	207489	49	344087	15
174357	8	184099	63	207490	49	344088	15
174358	8	184115	63	207597	50	344089	15
174359	8	184116	63	207774	47	344090	15
174360	8	184124	63	208652	42	344103	12-13
174611	8	184126	63	208680	42	344106	12-13
174655	8	184128	63	208800	42	344107	12
174656	8	184139	57	211870	42	344108	12-13
174657	8	184140	57	213485	42	344111	12-13
174658	8	184141	57	213810	38	344112	12
174662	8	184163	63	213841	37	344989	15
174663	8	184164	63	213843	37	344991	15
174664	8	184165	63	213845	37	344993	15
174877	8	184166	63	213847	37	344995	15
174878	8	184175	61, 63	213889	38	345485	68
174879	8	184192	63	213890	38	347707	15
174880	8	184193	63	213893	39	347713	15
174982	8-9	184194	63	213894	39	347874	12
174983	8-9	184195	63	213899	38, 41	348461	12
174984	8	184196	62-63	213900	39, 41	348462	15
174985	8	184207	63	213905	38	350218	54
175087	25	184240	63	213906	39	350536	54
175088	25	184246	62-63	213919	41	350547	54
175090	24-25	184248	60, 63	213920	41	350550	54
175091	24-25	184282	63	213925	41	350561	54
175104	12	184286	63	213926	41	350570	54
176143	24	184291	63	213933	42	350687	54
176146	24	184292	63	282079	18, 20	350689	54
176886	9	200821	50	282080	18-20	350690	54
178210	9	206036	40	282087	18-20	350699	54

Part Number Index

Part No.	Page	Part No.	Page	Part No.	Page	Part No.	Page
350705	54	626897	68	794272	53	929988	34
350706	54	640347	54	794273	53	929989	34
350766	55	770210	54	794274	53	929990	34
350767	55	770377	54	794275	53	962885	30
350777	55	770520	67	794276	53	962970	34
350778	55	770669	65	794277	53	962971	34
350780	55	770678	67	794278	53	962972	34
350781	55	770680	65	794279	53	962980	34
350782	55	770854	67	794280	53	962981	34
350783	55	776087	65	794281	53	962982	34
350784	55	776163	66	794282	53	962997	34
350851	54	776164	66	794381	54	962998	34
444043	27	776180	66	828904	34	962999	34
444046	27	776200	65	828905	34	963530	28
480698	55	776228	65	828920	34	965576	33
480699	55	776230	66	828921	34	965577	33
480700	55	776231	66	872070	33	965687	33
480701	55	776261	65	872992	33	965702	33
480702	55	776262	65	880810	19	965783	33
480703	55	776266	65	880811	19	965784	33
480704	55	776267	65	880814	19	965785	33
480705	55	776273	65	917308	22	965786	33
480706	55	776275	65	917318	22	965906	30
480707	55	776276	65	917319	22	967325	33
480708	55	776279	65	929966	34	967402	33
480709	55	776280	65	929967	34	967616	30
480710	55	776286	65	929968	34	967640	30
480711	55	794269	53	929973	34	967642	30
518082	33	794270	53	929974	34	967644	30
548551	33	794271	53	929975	34		

Engineering Notes

A large grid area for engineering notes, consisting of a uniform grid of small squares covering most of the page.

Americas

Argentina – Buenos Aires
Phone: + 54-1-733-2000
Fax: + 54-1-717-0988

Brazil – Sao Paulo
Phone: + 55-11-861-1311
Fax: + 55-11-861-0397

Canada – Toronto
Phone: + 1-905-475-6222
Fax: + 1-905-474-5520

Chile – Santiago
Phone: + 56-2-739-1230
Fax: + 56-2-739-1227

Colombia – Bogota
Phone: + 57-1-231-9398
Fax: + 57-1-240-3769

Mexico – Mexico City
Phone: + 52-5-729-0400
Fax: + 52-5-361-8545

United States – Harrisburg, PA
Phone: + 1-717-564-0100
Fax: + 1-717-986-7575

Venezuela – Caracas
Phone: + 58-2-986-7774
Fax: + 58-2-986-9739

For Latin/South American Countries not shown
Phone: +54-11-4733-2015
Fax: +54-11-4733-2083

Asia/Pacific

Australia – Sydney
Phone: + 61-2-9840-8200
Fax: + 61-2-9899-5649

India – Bangalore
Phone: + 91-80-841-0200
Fax: + 91-80-841-0210

Indonesia – Jakarta
Phone: + 6221-526-7852
Fax: + 6221-526-7856

Japan – Tokyo
Phone: + 81-44-844-8111
Fax: + 81-44-812-3207

Korea – Seoul
Phone: + 82-2-3274-0535
Fax: + 82-2-3274-0524/0531

Malaysia – Selangor
Phone: + 60-3-7053055
Fax: + 60-3-7053066

New Zealand – Auckland
Phone: + 64-9-634-4580
Fax: 64-9-634-4586

People's Republic of China
Hong Kong
Phone: + 852-2735-1628
Fax: + 852-2735-0243

Shanghai
Phone: + 86-21-6485-0602
Fax: + 86-21-6485-0728

Shunde
Phone: + 86-765-7751368
Fax: + 86-765-7752823

Philippines – Makati City
Phone: + 632-867-8641
Fax: + 632-867-8661

Singapore – Singapore
Phone: + 65-482-0311
Fax: + 65-482-1012

Taiwan – Taipei
Phone: + 886-2-2325-0391
Fax: + 886-2-2325-0398

Thailand – Bangkok
Phone: + 66-2-955-0500
Fax: + 66-2-955-0505

Vietnam – Ho Chi Minh City
Phone: + 84-8-8232-5467
Fax: + 84-8-8221-443

Europe/Middle East/Africa

Austria – Vienna
Inside: Phone: + 0222-277-97-0
Fax: + 0222-277-97-333
Outside: Phone: + 43-1-277-97-0
Fax: + 43-1-277-97-333

Belgium – Kessel-Lo
Phone: + 32-16-352-300
Fax: + 32-16-352-352

Bulgaria – Sofia
Phone: + 359-2-971-2152
Fax: + 359-2-971-2153

Czech Republic – Kurim
Phone: + 420-5-41-162-111
Fax: + 420-5-41-162-223

Denmark – Viby
Phone: + 45-86-295-055
Fax: + 45-86-295-133

Egypt – Cairo
Phone: + 20-2-417-76-47
Fax: + 20-2-419-23-34

Estonia – Haabneeme
Phone: + 372-6205-900
Fax: + 372-6205-980

Finland – Helsinki
Phone: + 358-9-512-3420
Fax: + 358-9-512-34250

France – Cergy-Pontoise Cedex
Phone: + 33-1-3420-8888
Fax: + 33-1-3420-8600

Germany
Bensheim
Phone: + 49-6251-133-0
Fax: + 49-6251-133-600

Langen
Phone: + 49-6103-709-0
Fax: + 49-6103-709-223

Great Britain – London
Phone: + 44-181-954-2356
Fax: + 44-181-954-6234

Greece – Athens
Phone: + 30-1-9370-396/7
Fax: + 30-1-9370-655

Holland – 's-Hertogenbosch
Phone: + 31-73-6246-246
Fax: + 31-73-6212-365

Hungary – Budapest
Phone: + 36-1-350-8633
Fax: + 36-1-350-8634

Ireland – Dublin
Phone: + 353-1-820-3000
Fax: + 353-1-820-9790

Israel – Tel Aviv
Phone: + 972-3-649-1482
Fax: + 972-3-648-4041

Italy – Torino
Phone: + 39-011-4012-111
Fax: + 39-011-4031-116

Lithuania – Vilnius
Phone: + 370-2-231-402
Fax: + 370-2-231-403

Norway – Nesbru
Phone: + 47-66-77-8899
Fax: + 47-66-77-8855

Poland – Warsaw
Phone: + 48-22-611-59-30
Fax: + 48-22-672-47-88

Portugal – Lisbon
Phone: + 351-1-387-70-16
Fax: + 351-1-387-71-72

Romania – Bucharest
Phone: + 40-1-311-3479/3596
Fax: + 40-1-312-0574

Russia
Moscow
Phone: + 7-095-926-5506/07/08/09
Fax: + 7-095-926-5505

St. Petersburg
Phone: + 7-812-325-30-83
Fax: + 7-812-325-32-88

Slovakia – Banká Bystřica
Phone: + 421-88-415-20-11/12
Fax: + 421-88-415-20-13

Slovenia – Ljubljana
Phone: + 386-61-161-3270
Fax: + 386-61-161-3240

South Africa – Midrand
Phone: + 27-11-314-10-89
Fax: + 27-11-314-19-10

Spain – Barcelona
Phone: + 34-93-291-0330
Fax: + 34-93-201-7879

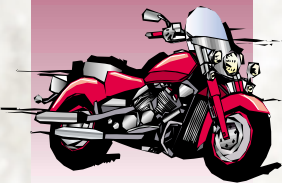
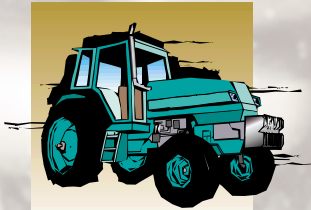
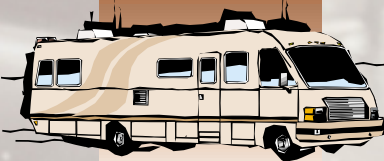
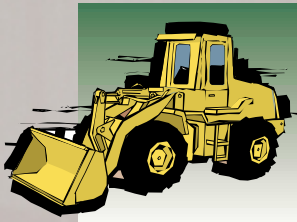
Sweden – Järfälla
Phone: + 46-8-580-833-00
Fax: + 46-8-580-194-70

Switzerland – Steinach
Phone: + 41-71-447-0447
Fax: + 41-71-447-0444

Turkey – Istanbul
Phone: + 90-212-281-8181/2/3
Fax: + 90-212-281-8184

Ukraine – Kiev
Phone: + 38-044-246-5501
Fax: + 38-044-246-5501

For Middle East/African Countries not shown
Phone: +33-1-34-20-83-83
Fax: +33-1-34-20-86-09



tyco / *Electronics* / **AMP**