

ZF 4HP24 Box Code: 1043 030 xxx

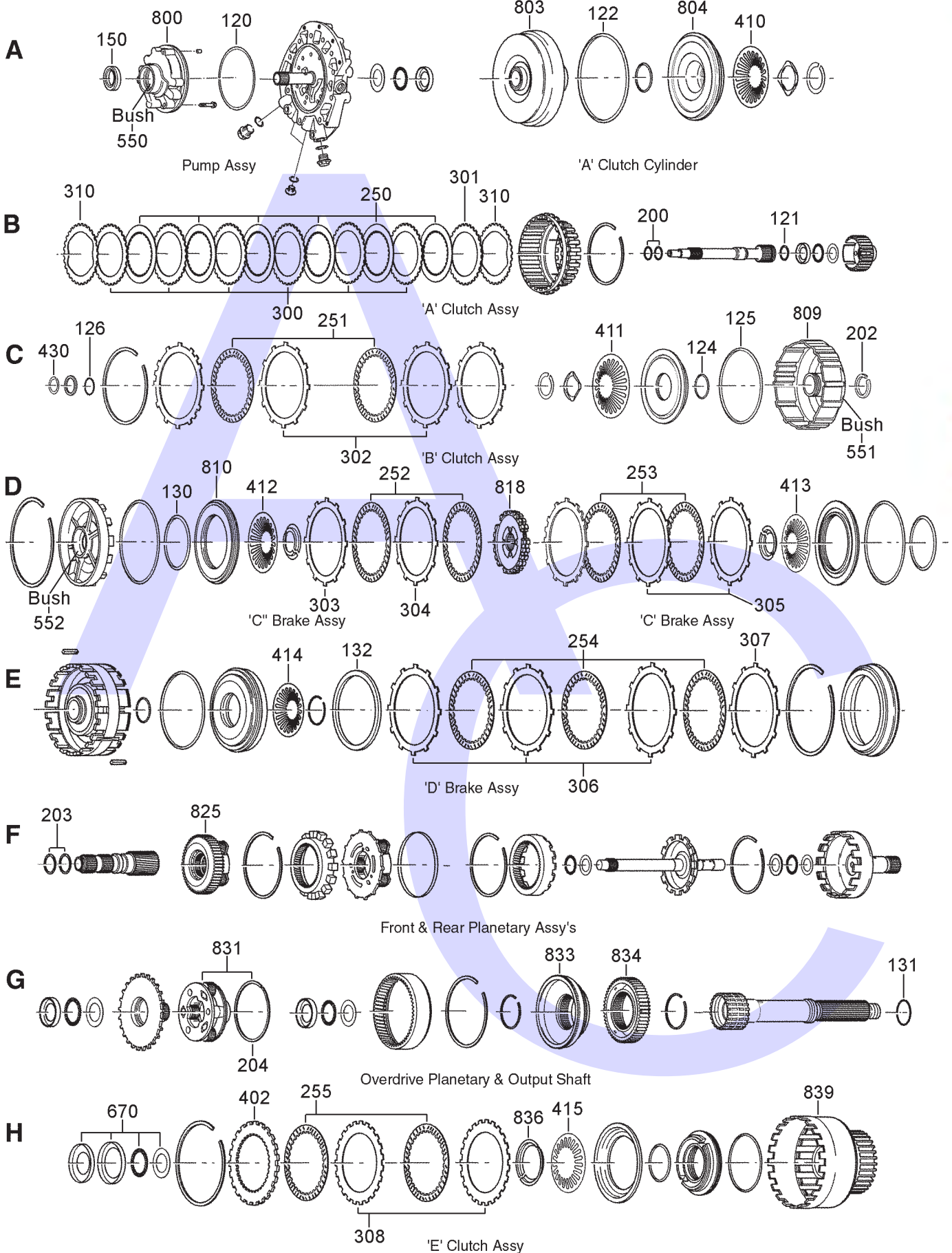
4 SPEED RWD (Electronic Control)



AUTOMATIC CHOICE



THE AUTOMATIC TRANSMISSION PARTS WAREHOUSE

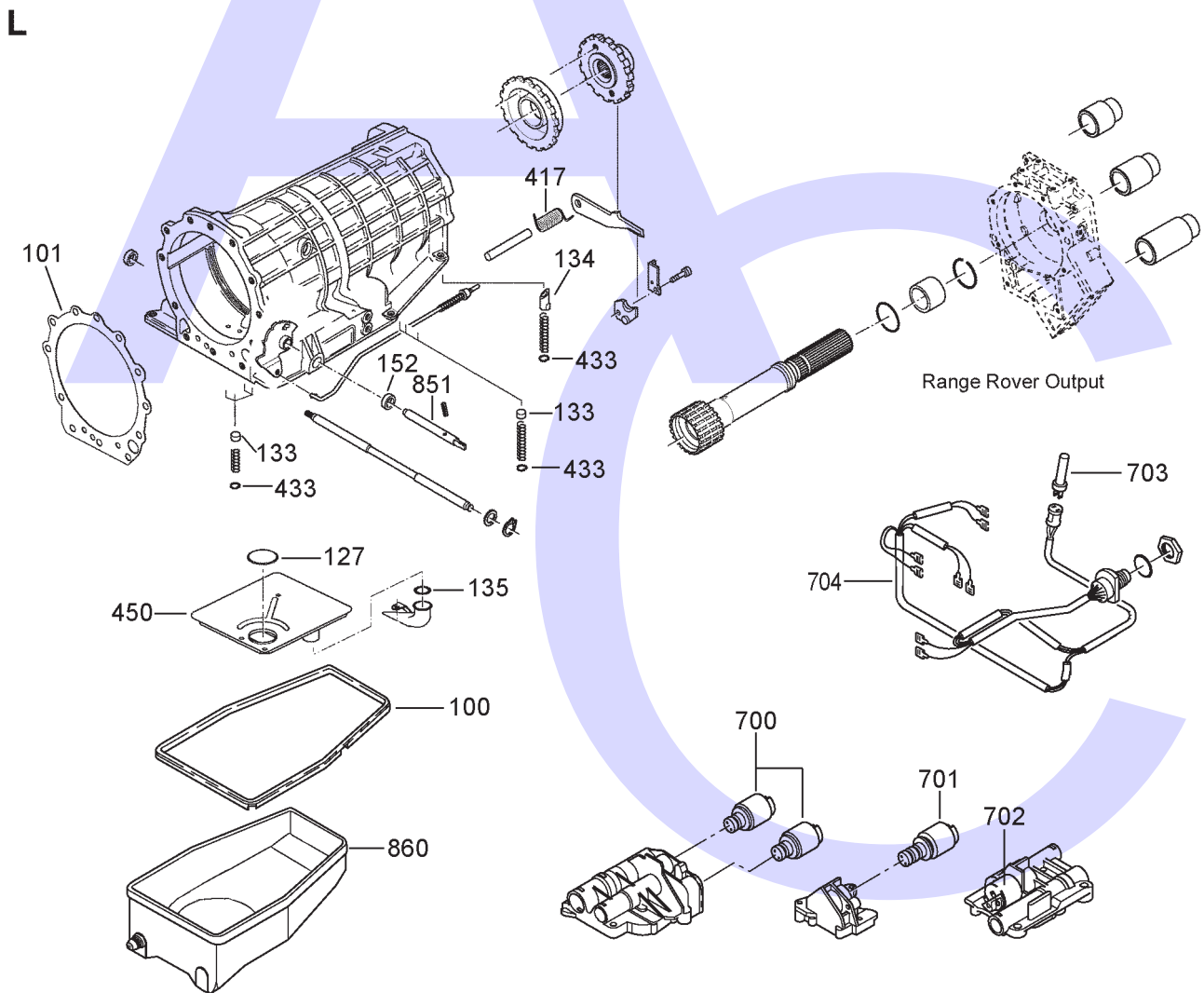
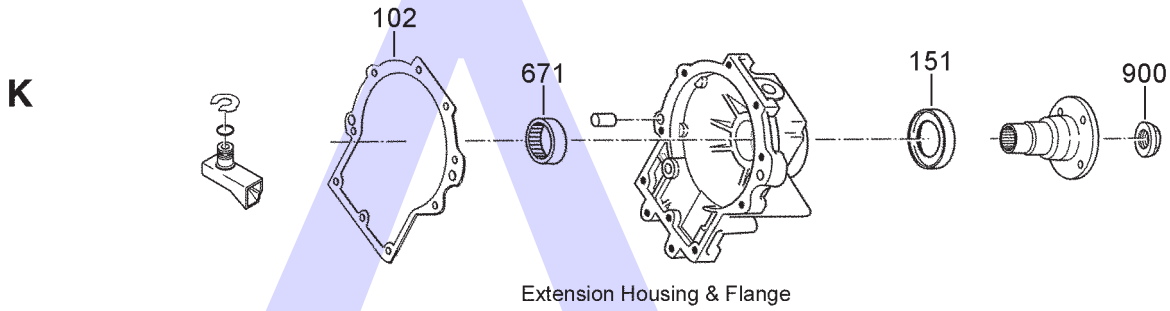
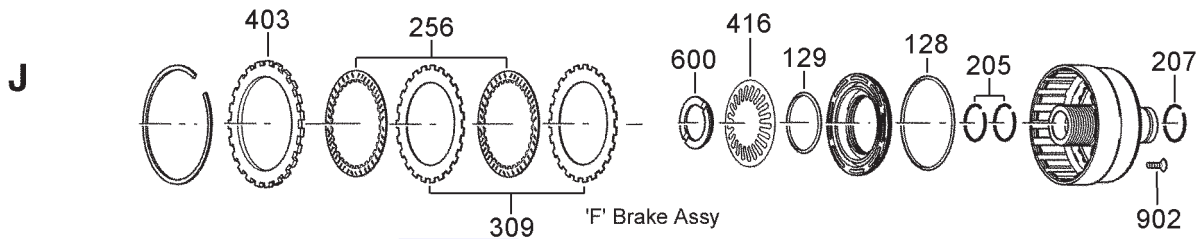


ZF 4HP24 Box Code: 1043 030 xxx

4 SPEED RWD (Electronic Control)



AUTOMATIC CHOICE



THE AUTOMATIC TRANSMISSION PARTS WAREHOUSE

ZF 4HP24 Box Code: 1043 030 xxx

4 SPEED RWD (Electronic Control)



AUTOMATIC CHOICE



THE AUTOMATIC TRANSMISSION PARTS WAREHOUSE

| ILL NO. | DESCRIPTION | YEARS | QTY | PART NO |
|--------------------------|---|-------|-----|--------------------|
| KITS | | | | |
| Kit | Overhaul Kit (Transtec)..... | 87-ON | 1 | 4HP22.OHK03 |
| Kit | Overhaul Kit (OEM) (BMW, Jaguar)..... | 87-ON | 1 | 4HP22.OHK05 |
| Kit | Overhaul Kit (OEM) (Land/Range Rover)..... | 94-ON | 1 | 4HP22.OHK06 |
| GASKETS | | | | |
| 100L | Pan Gasket..... | 87-ON | 1 | 4HP22.GAS01 |
| 101L | Stator to Case..... | 87-ON | 1 | 4HP22.GAS02 |
| 101L | Stator to Case (OEM)..... | 87-ON | 1 | 4HP22.GAS22 |
| 102K | Extension Housing..... | 87-ON | 1 | 4HP22.GAS03 |
| NI | Valve Body Gasket Except Box Codes: (1043 030 012, 019, 021, 026 & 058)..... | 87-ON | 1 | 4HP22.GAS08 |
| RUBBER COMPONENTS | | | | |
| 120A | Pump 'O' Ring..... | 87-ON | 1 | 4HP24.OR01 |
| 121B | Input Shaft 'O' Ring..... | 87-ON | 1 | 4HP22.OR14 |
| 122A | 'A' Clutch Outer 'O' Ring..... | 87-ON | 1 | 4HP22.OR01 |
| 124C | 'B' Clutch Inner 'O' Ring..... | 87-ON | 1 | 4HP22.OR12 |
| 125C | 'B' Clutch Outer 'O' Ring..... | 87-ON | 1 | 4HP22.OR06 |
| 125C | 'B' Clutch Outer 'O' Ring Codes: 1043 030 049, 051-056, 059-061, 063-065, 067-069) | 87-ON | 1 | 5HP19.OR09 |
| 126C | 'B' Clutch to Sun Shaft 'O' Ring..... | 87-ON | 1 | 4HP22.OR14 |
| 127L | Filter to Valve Body 'O' Ring..... | 87-ON | 1 | 4HP22.OR11 |
| 128J | 'F' Brake Outer 'O' Ring..... | 87-ON | 1 | 4HP22.OR04 |
| 129J | 'F' Brake Inner 'O' Ring..... | 87-ON | 1 | 4HP22.OR07 |
| 130D | 'C1' Brake Inner 'O' Ring..... | 87-ON | 1 | 4HP22.OR05 |
| 131G | Output Shaft 'O' Ring..... | 87-ON | 1 | 4HP22.OR15 |
| 132E | 'D' Brake Cushion Rubber (Some Models)..... | 87-ON | 1 | 4HP22.CUS01 |
| 133L | V. Body to Case Seal..... | 87-ON | 8 | 4HP22.RUB01 |
| 134L | V. Body to Case Seal Angled ... | 87-ON | 1 | 4HP22.RUB02 |
| 135L | Lower Spout 'O' Ring (L.Rov) ... | 87-ON | 1 | 4HP22.OR19 |
| NI | Angled Rubber Spacer Kit..... | 87-ON | 1 | 4HP22.RK01 |
| NI | Rubber Spacer & Clip Kit (For Valve Body)..... | 87-ON | 1 | 4HP22.RK02 |
| METAL CLAD SEALS | | | | |
| 150A | Front Pump Body (OEM)..... | 87-ON | 1 | 3HP22.MCS01 |
| 150A | Front Pump Body (AM)..... | 87-ON | 1 | 3HP22.MCS51 |
| 151K | Extension Housing (OEM)..... | 87-ON | 1 | 3HP22.MCS02 |
| 151K | Extension Housing (AM)..... | 87-ON | 1 | 3HP22.MCS52 |
| 152J | Selector Shaft..... | 87-ON | 1 | 3HP22.MCS03 |
| NI | Transfer Case Range Rover Later Chain Driven Unit (70mm OD x 48mm ID)..... | 87-ON | 2 | 4HP22.MCS06 |
| SEALING RINGS | | | | |
| Kit | Sealing Ring Kit..... | 87-ON | 1 | 4HP22.SRK01 |
| 200B | Input Shaft..... | 87-ON | 2 | 4HP22.SSR01 |
| 202C | 'B' Clutch Drum..... | 87-ON | 1 | 4HP22.SSR02 |
| 203F | Sun Gear Shaft..... | 87-ON | 2 | 4HP22.SSR03 |
| 204G | Planetary Set..... | 87-ON | 1 | 4HP22.SSR07 |
| 205J | 'F' Brake to 'E' Clutch..... | 87-ON | 2 | 4HP22.SSR04 |
| 207J | 'F' Brake to Park Ring..... | 87-ON | 1 | 4HP20.SSR02 |

| ILL NO. | DESCRIPTION | YEARS | QTY | PART NO |
|-------------------------------|--|-------|-----|--------------------|
| FRICITION PLATES | | | | |
| Kit | Friction Plate..... | 87-ON | 1 | 4HP24.FRK02 |
| Kit | Friction Plate (Alto)..... | 87-ON | 1 | 4HP24.FRK53 |
| 250B | 'A' Clutch (Forward)..... | 87-ON | 6 | 4HP22.FRP11 |
| 251C | 'B' Clutch (Third & Reverse)..... | 87-ON | 5 | 3HP22.FRP22 |
| 252D | 'C1' Brake (Intermediate & Overrun)..... | 87-ON | 2 | 3HP22.FRP23 |
| 253D | 'C' Brake (Intermediate)..... | 87-ON | 3 | 3HP22.FRP23 |
| 254E | 'D' Clutch..... | 87-ON | 5 | 4HP24.FRP22 |
| 254E | 'D' Clutch (Alto)..... | 87-ON | 5 | 4HP24.FRP51 |
| 255H | 'E' Clutch (Overdrive Clutch)..... | 87-ON | 4 | 4HP22.FRP11 |
| 256J | 'F' Brake (Overdrive Brake)..... | 87-ON | 4 | 4HP22.FRP11 |
| 256J | 'F' Brake (OD Brake) (Alto)..... | 87-ON | 4 | 4HP22.FRP52 |
| STEEL PLATES | | | | |
| Kit | Steel Plate..... | 87-ON | 1 | 4HP24.STK01 |
| Kit | Steel Plate (Alto)..... | 87-ON | 1 | 4HP24.STK51 |
| 300B | 'A' Clutch (2.10mm)..... | 87-ON | 5 | 4HP22.STP01 |
| 301B | 'A' Clutch Selective (2.10mm) ... | 87-ON | 1 | 4HP22.STP01 |
| 301B | 'A' Clutch Selective (1.50mm) ... | 87-ON | 1 | 4HP22.STP02 |
| 302C | 'B' Clutch (2.10mm)..... | 87-ON | 5 | 3HP22.STP04 |
| 303D | 'C1' Brake (1.80mm)..... | 87-ON | 1 | 3HP22.STP03 |
| 304D | 'C1' Brake (2.10mm)..... | 87-ON | 1 | 3HP22.STP04 |
| 305D | 'C' Brake (2.10mm)..... | 87-ON | 3 | 3HP22.STP04 |
| 306E | 'D' Brake (1.20mm)..... | 87-ON | 5 | 4HP24.STP01 |
| 307E | 'D' Brake Selective (2.10mm).... | 87-ON | 1 | 4HP24.STP04 |
| 307E | 'D' Brake Selective (1.80mm).... | 87-ON | 1 | 4HP24.STP03 |
| 307E | 'D' Brake Selective (1.50mm).... | 87-ON | 1 | 4HP24.STP02 |
| 307E | 'D' Brake Selective (1.20mm).... | 87-ON | 1 | 4HP24.STP01 |
| 308H | 'E' Clutch (1.50mm)..... | 87-ON | 5 | 4HP22.STP02 |
| 309J | 'F' Brake (2.10mm)..... | 87-ON | 4 | 4HP22.STP01 |
| 310B | 'A' Clutch Waved..... | 87-ON | 2 | 4HP22.STP05 |
| 311C | 'B' Clutch Waved (Some Models)..... | 87-ON | 1 | 4HP22.STP06 |
| PRESSURE PLATES | | | | |
| 402H | 'E' Clutch..... | 87-ON | 1 | 4HP22.PP05 |
| 403J | 'F' Brake..... | 87-ON | 1 | 4HP22.PP06 |
| SPRINGS & CIRCLIPS | | | | |
| 410A | 'A' Clutch Diaphragm Spring..... | 87-ON | 1 | 4HP24.DIA01 |
| 411C | 'B' Clutch Diaphragm Spring..... | 87-ON | 1 | 4HP22.DIA05 |
| 412D | 'C1' Brake Diaphragm Spring..... | 87-ON | 1 | 4HP22.DIA06 |
| 413D | 'C' Brake Diaphragm Spring..... | 87-ON | 1 | 4HP22.DIA06 |
| 414E | 'D' Brake Diaphragm Spring..... | 87-ON | 1 | 4HP22.DIA03 |
| 415H | 'E' Clutch Diaphragm Spring..... | 87-ON | 1 | 4HP22.DIA04 |
| 416J | 'F' Brake Diaphragm Spring..... | 87-ON | 1 | 4HP22.DIA02 |
| 417L | Spring, Parking Pawl Return..... | 87-ON | 1 | 4HP22.SPR12 |
| 430C | Circlip 'B' Clutch to Sun Shaft ... | 87-ON | 1 | 4HP22.CIR01 |
| 433L | Circlip Case sealing Rubber Compression Spring..... | 87-ON | 8 | 4HP22.CIR03 |
| FILTERS | | | | |
| 450L | Filter (Flat)..... | 87-ON | 1 | 4HP22.FIL01 |
| 450L | Filter (Flat OEM)..... | 87-ON | 1 | 4HP22.FIL11 |
| 450L | Filter (Range Rover/DAF)..... | 87-ON | 1 | 4HP22.FIL02 |
| 450L | Filter (OEM) (Range Rover/DAF)..... | 87-ON | 1 | 4HP22.FIL12 |
| 450L | Filter (With Spout)..... | 87-ON | 1 | 4HP22.FIL03 |

ZF 4HP24 Box Code: 1043 030 xxx

4 SPEED RWD (Electronic Control)



AUTOMATIC CHOICE



THE AUTOMATIC TRANSMISSION PARTS WAREHOUSE

| ILL NO. | DESCRIPTION | YEARS | QTY | PART NO |
|--------------------------------------|--|-------|-----|---------------------|
| BUSHINGS | | | | |
| 550A | Front Pump Body Bush (17mm Wide) | 87-ON | 1 | 4HP22.BUS01 |
| 551B | 'A' Clutch Housing..... | 87-ON | 1 | 4HP18.BUS01 |
| 552D | C1 Clutch Housing..... | 87-ON | 1 | 4HP18.BUS01 |
| NI | Centre Support..... | 87-ON | 1 | 4HP18.BUS01 |
| THRUST WASHERS & BEARINGS | | | | |
| 600J | 'F' Brake Retainig 'C' Clip..... | 87-ON | 1 | 4HP22.THW01 |
| 670H | Bearing Kit, 'E' Clutch to Overdrive OWC..... | 87-ON | 1 | 4HP22.TK07 |
| 671K | Bearing, Extension Housing (35mm x 42mm x 12mm)..... | 87-ON | 1 | 4HP22.BE10 |
| ELECTRICAL COMPONENTS | | | | |
| 700L | Shift Solenoid..... | 87-ON | 2 | 5HP18.SOL01 |
| 701L | Lock Up Solenoid..... | 87-ON | 1 | 5HP18.SOL03 |
| 702L | Pressure Control Solenoid (0501 311 845, OEM)..... | 87-ON | 1 | 5HP18.SOL02 |
| 702L | Pressure Control Solenoid (0501 209 948, OEM) | 87-ON | 1 | 4HP22.SOL05 |
| 703L | Inductive Speed Sensor..... | 87-ON | 1 | 4HP22.ELE01 |
| 704L | Valve Body Loom (E9 Electrics 4 Sol V. Body) | 87-ON | 1 | 4HP22.ELE06 |
| NI | Range Switch (Range Rover Code 1043 030 069)..... | 94-ON | 1 | 4HP22.ELE05 |
| VALVE BODY COMPONENTS | | | | |
| NI | Aluminum Tube 'U' Shape..... | 87-ON | 1 | 4HP22.TU01 |
| NI | Valve Body Plastic Check Ball (6.50mm)..... | 87-ON | AR | 4HP22.BALL01 |
| NI | Valve Body Plastic Check Ball (4.50mm)..... | 87-ON | AR | 4HP22.BALL02 |
| NI | Encapsulated Plastic Ball Valve Fits in Rear of Lower Valve Body (Fits All Except Codes 1043 030 012, 019, 021, 041) | 87-ON | 1 | 4HP22.VA01 |
| NI | "C" Accumulator Spring (Codes; 1043 030 019,051, 052, 053, 054, 055, 056, 059, 060, 061, 063, 064, 065, 067, 068, 069) | 87-ON | 1 | 4HP14.SPR23 |
| NI | "C" " Accumulator Spring, Outer (Codes 1043 030 027, 034, 035, 039-043, 045, 046, 048, 050-056, 059, 060) | 87-ON | 1 | 4HP22.SPR13 |
| NI | "C" " Accumulator Spring, Inner (Codes 1043 030 012, 019, 021, 026, 034, 035, 039-041, 045, 046, 050, 058) | 87-ON | 1 | 4HP22.SPR14 |
| NI | "E" Accumulator Spring (Codes 1043 030 049, 061, 063, 064, 065, 067, 068, 069) | 87-ON | 1 | 4HP22.SPR11 |
| NI | "F" Brake Accumulator Spring (Codes; 1043 030 012,019, 021, 026, 034, 035, 039, 040, 041, 042, 043, 045, 046, 048, 050, 051, 052, 053, 054, 055, 056, 058, 059, 060) | 87-ON | 1 | 4HP14.SPR24 |
| NI | Spring, Pressure Regulator (Codes: 1043 030 019, 021, 026, 058) | 87-ON | 1 | 5HP24.SPR02 |

| ILL NO. | DESCRIPTION | YEARS | QTY | PART NO |
|--|--|-------|-----|--------------------|
| HARD PARTS | | | | |
| 800A | Pump Body & Gears Box Codes (1043 030 012 & 019 Only)..... | 87-ON | 1 | 4HP24.PUM01 |
| 800A | Pump Body & Gears Box Codes (1043 030 059, 060, 065, 067, 068, & 069 Only)..... | 87-ON | 1 | 4HP22.PUM03 |
| 800A | Pump Body & Gears Box Codes: (Except Above)..... | 87-ON | 1 | 4HP24.PUM02 |
| 803A | 'A' Clutch Cylinder (Codes: 1043 030 012, 019, 021, 026, 027, 034, 035, 039-043, 045, 046, 048-056, 058-061, 063-065, 067-069) | 87-ON | 1 | 4HP22.DRU11 |
| 804A | 'A' Clutch Piston (Codes: 1043 030 012, 019, 021, 026, 027, 034, 035, 039-043, 045, 046, 048-056, 058-061, 063-065, 067-069) | 87-ON | 1 | 4HP22.PIS01 |
| 809C | 'B' Clutch Cylinder (4 Plate) | 87-ON | 1 | 4HP22.DRU09 |
| 810D | 'C1' Brake Piston..... | 87-ON | 1 | 4HP24.PIS03 |
| 818D | 'C' One Way Clutch, only available as ZF Factory Reman | 87-ON | 1 | NLA |
| 825F | Planetary Assembly (4 Pinion) .. | 87-ON | 1 | 4HP24.PL02 |
| 831G | Over Drive Planet Assembly | 87-ON | 1 | 4HP22.PL01 |
| 833G | Overdrive One Way Clutch Assy..... | 87-ON | 1 | 4HP22.OWC02 |
| 834G | Splined Hub Overdrive One Way Clutch | 87-ON | 1 | 4HP22.HUB02 |
| 836H | Retainer 'E' Clutch Diaphragm.. | 87-ON | 1 | 4HP22.CIR05 |
| 839H | 'E' Clutch Drum (Codes 1043 030 012, 019, 021, 026, 027, 034, 035, 039, 040, 041, 042, 043, 045, 046, 048, 049, 050, 051, 052, 053, 054, 055, 056, 058, 059, 060, 061, 063, 064, 065, 067, 068, 069) | 91-ON | 1 | 4HP22.DRU10 |
| 851L | Selector Shaft (Short) (Codes 1043 030 049, 061, 063-065, 067, 068) | 91-ON | 1 | 4HP24.SH01 |
| 860L | Oil Pan, With Filler Level Plug (4HP24 Land Rover) (Codes: 1043 030 065, 068, 069) | 98-ON | 1 | 4HP22.PAN01 |
| SPECIAL ITEMS | | | | |
| 900K | Output Shaft Nut | 87-ON | 1 | 4HP22.NUT02 |
| 902J | 'F' Brake to Case Screw..... | 83-ON | 10 | 4HP22.NUT01 |
| NI | Range Rover Sump Bung (Allen Head No Magnet) | 87-ON | 1 | 4HP22.PLU01 |
| NI | Range Rover Sump Bung (17mm Head With Magnet)..... | 87-ON | 1 | 4HP22.PLU02 |
| TOOLS & MANUALS | | | | |
| Click here to view special tools for this transmission | | | | |