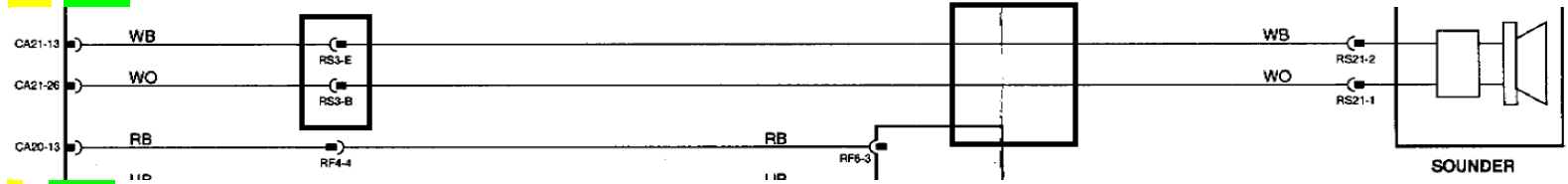
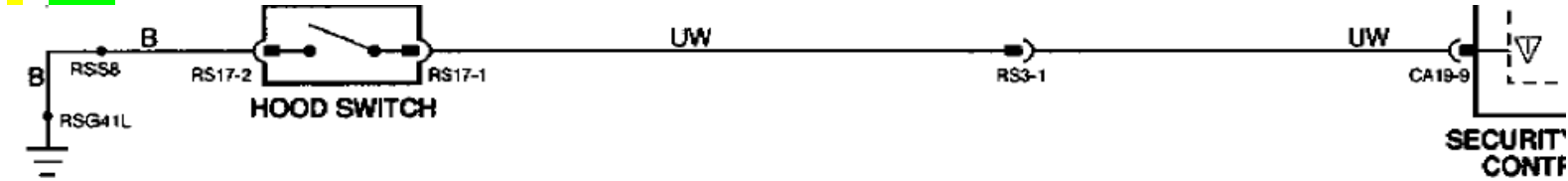


# JAGUAR X300 RS3 Connector

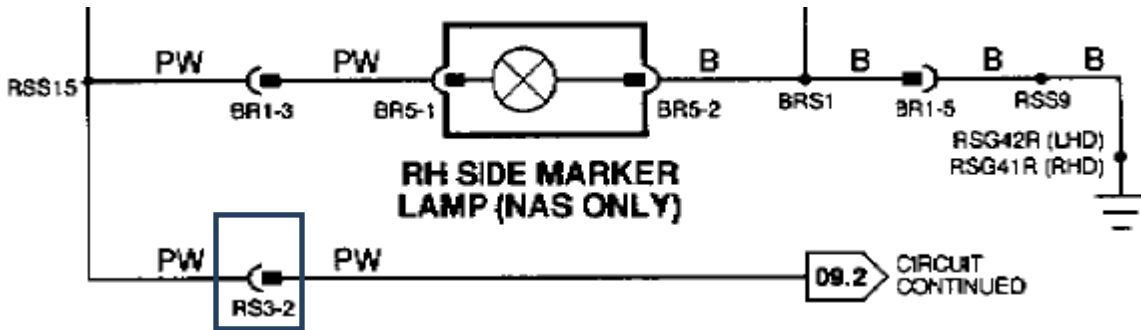
E B 15 - 5



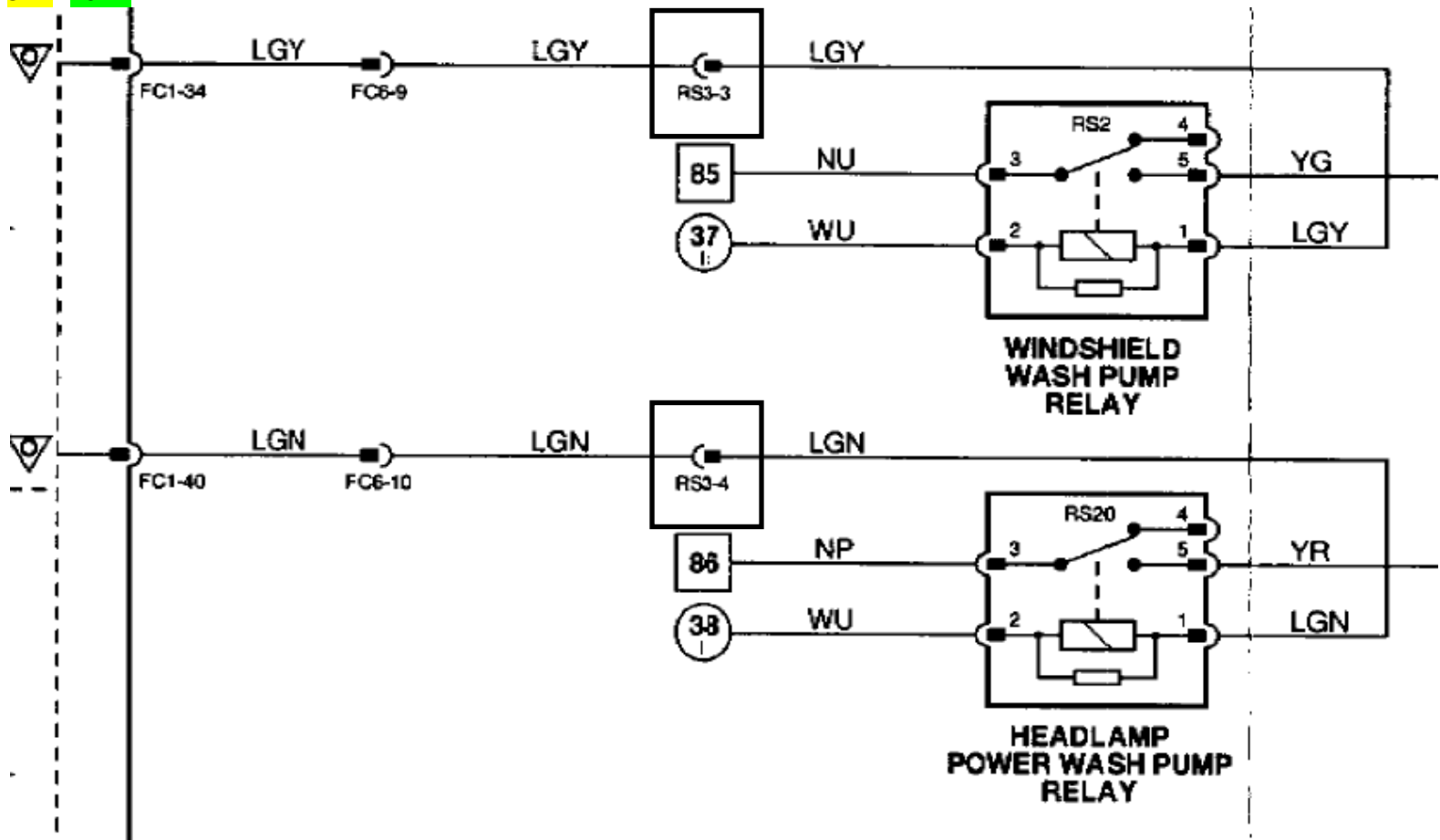
1 15 - 5



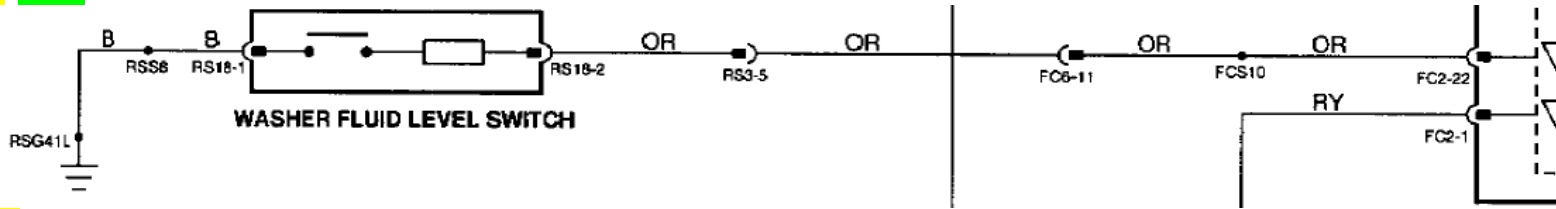
2



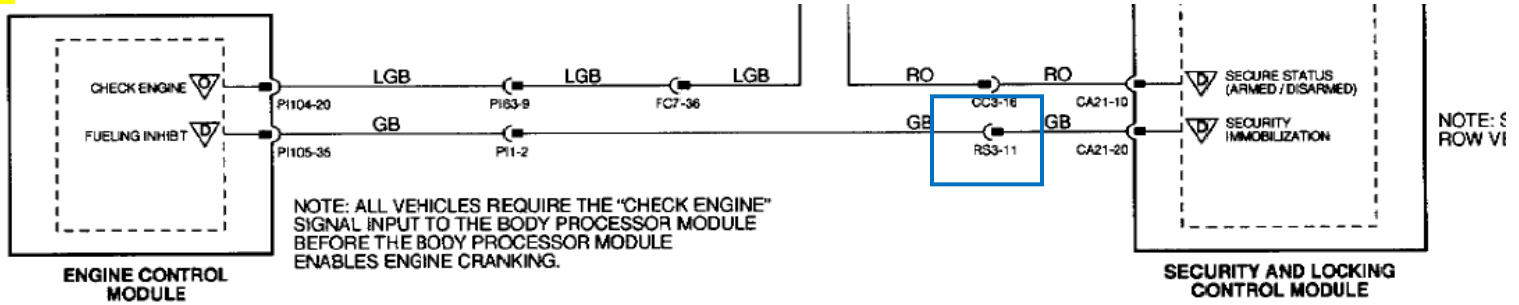
3 4 16 - 1



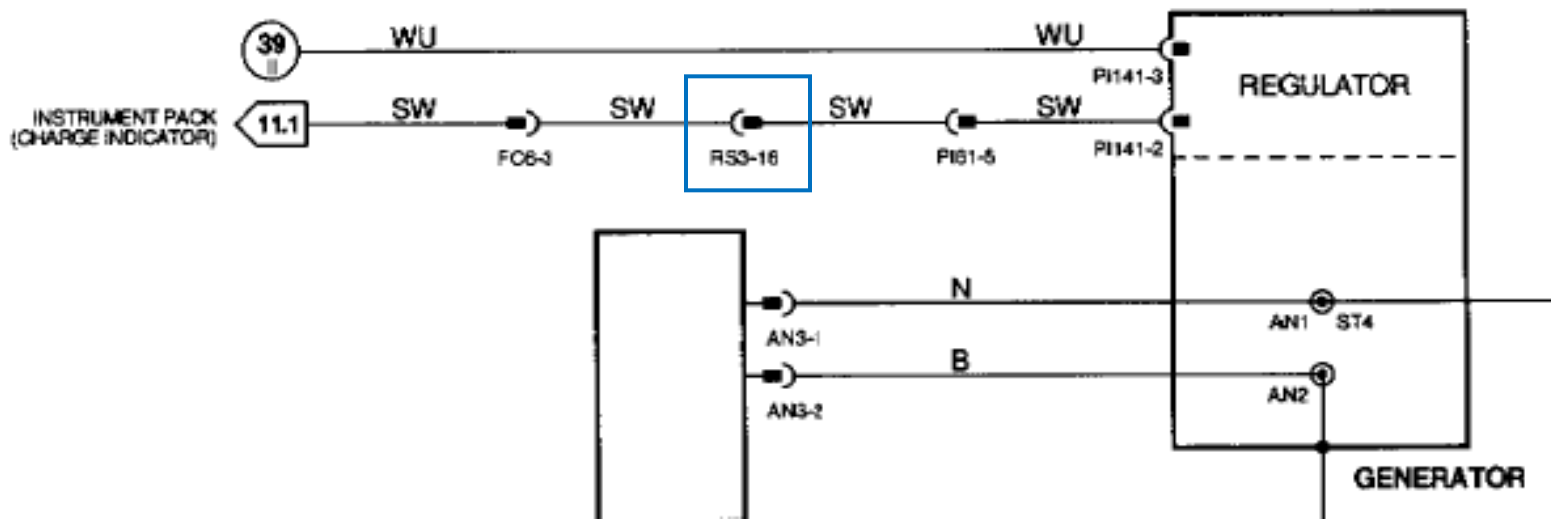
5 16-1



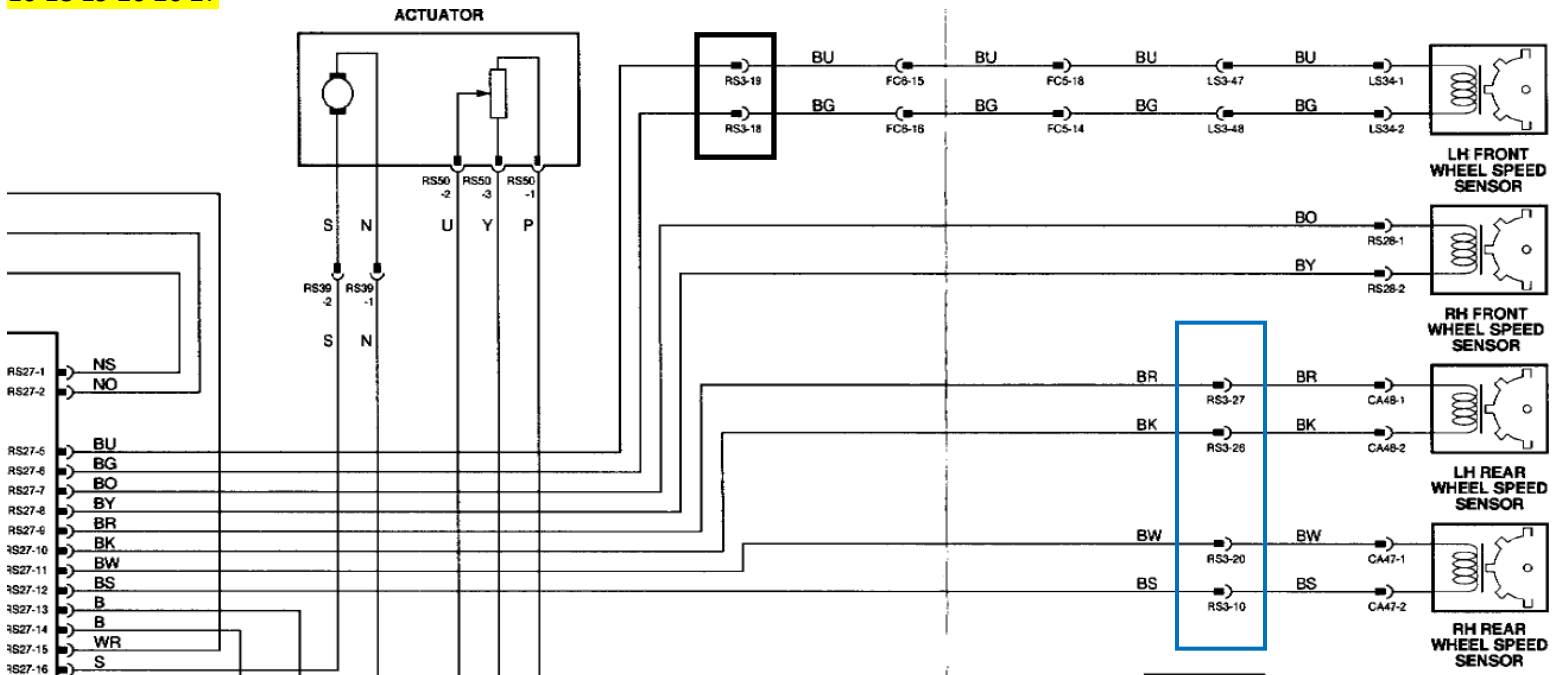
11



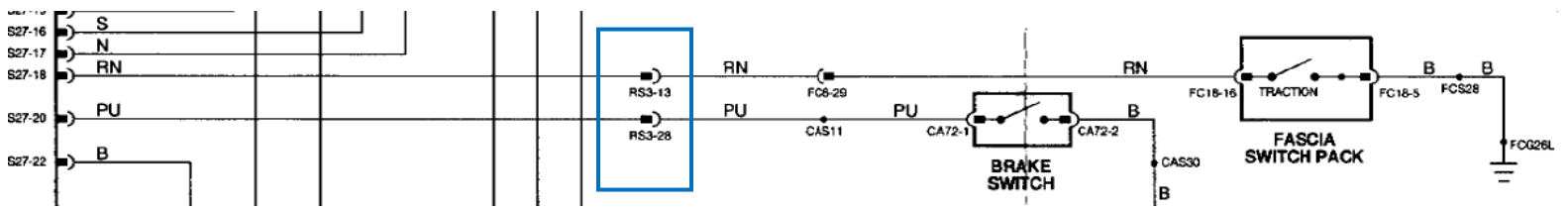
16



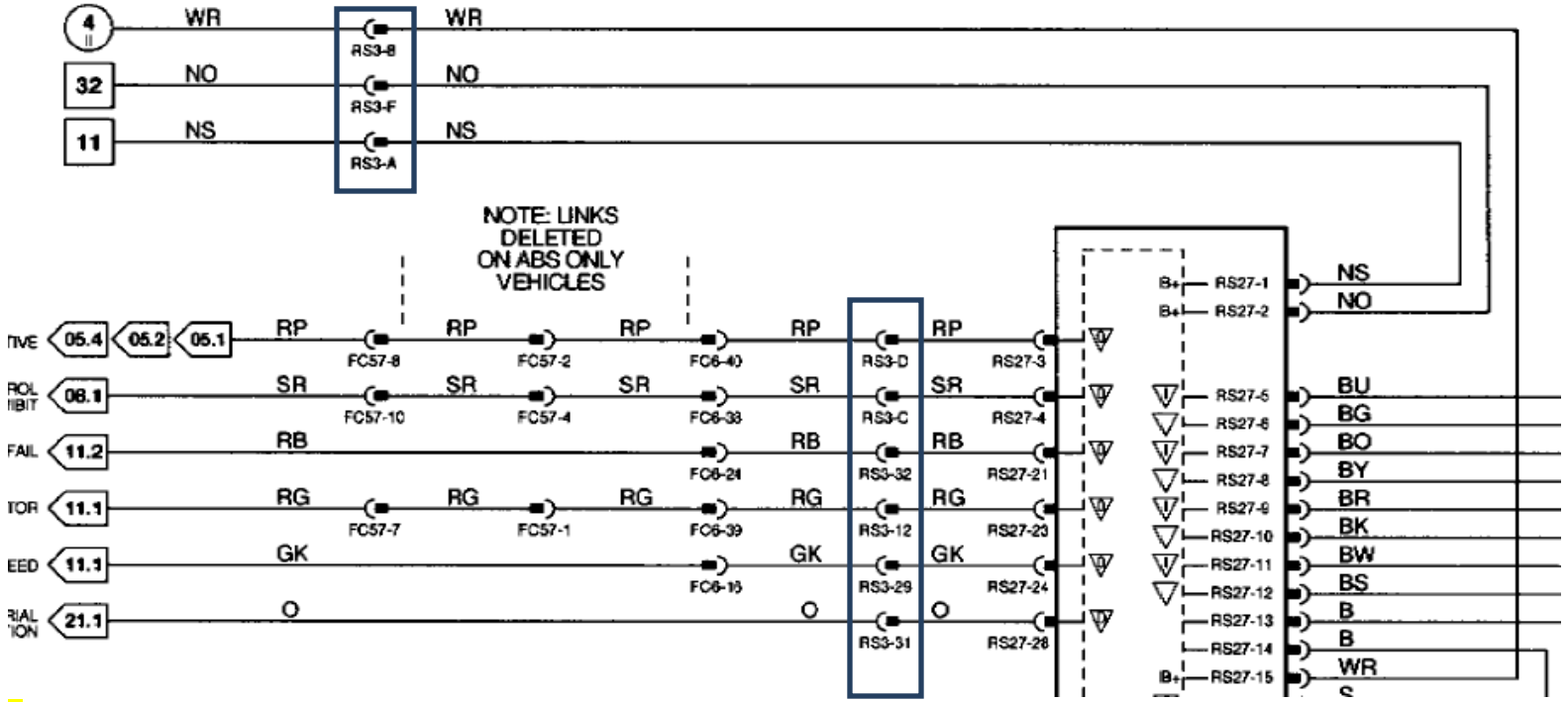
10 18 19 20 26 27



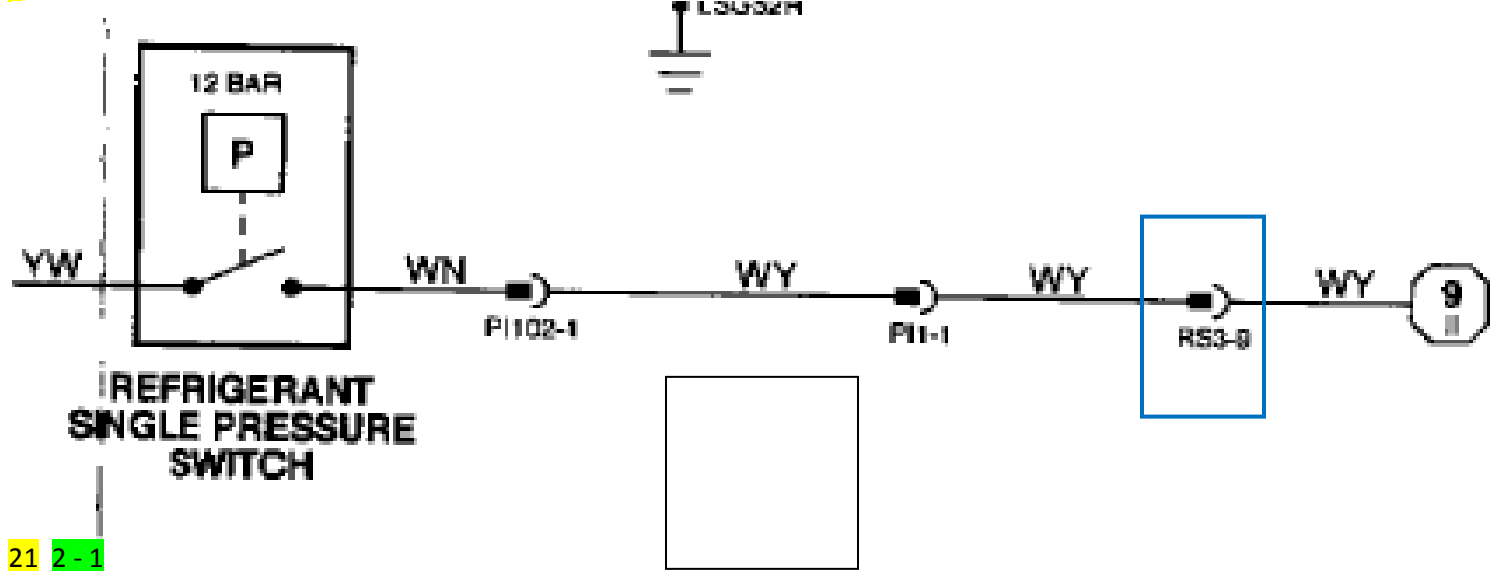
13 28



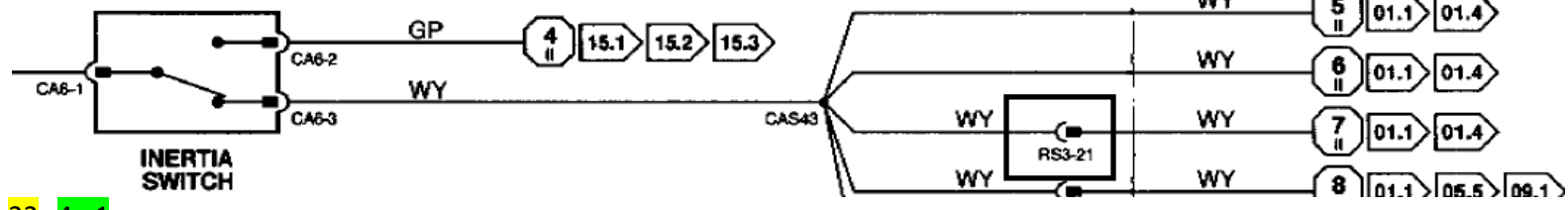
A F 8 D C 32 12 29 31



9

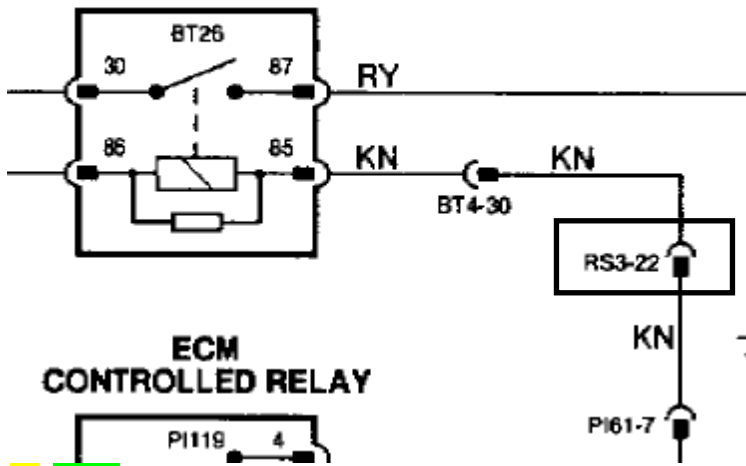


21 2-1

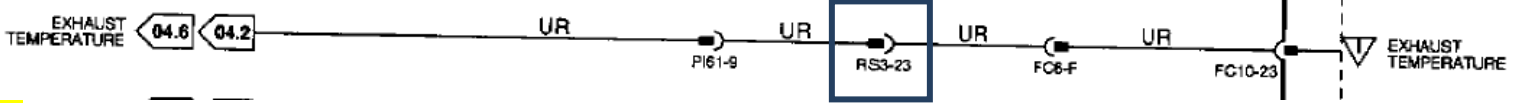


22 4-1

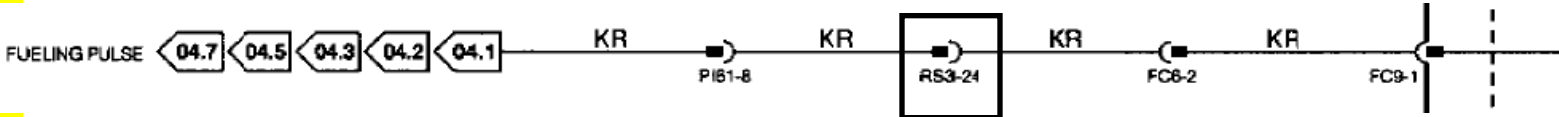
### FUEL PUMP RELAY (1)



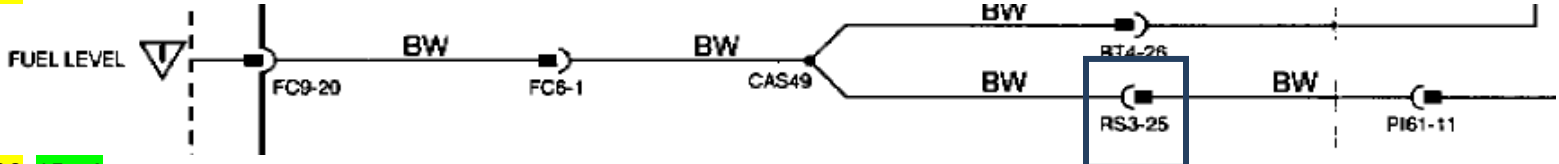
23 11-2



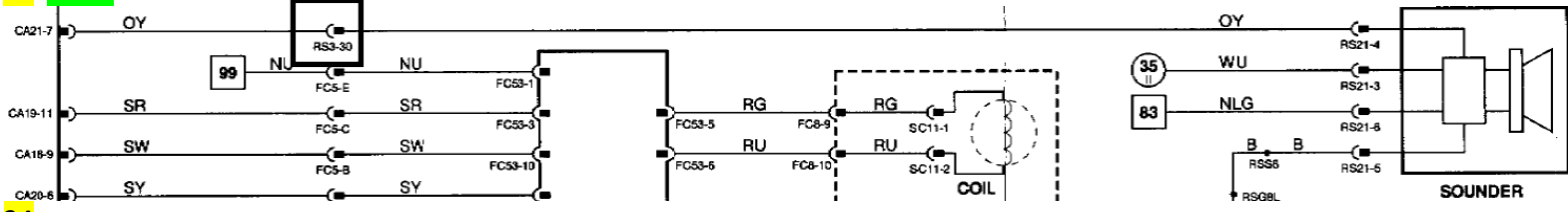
24



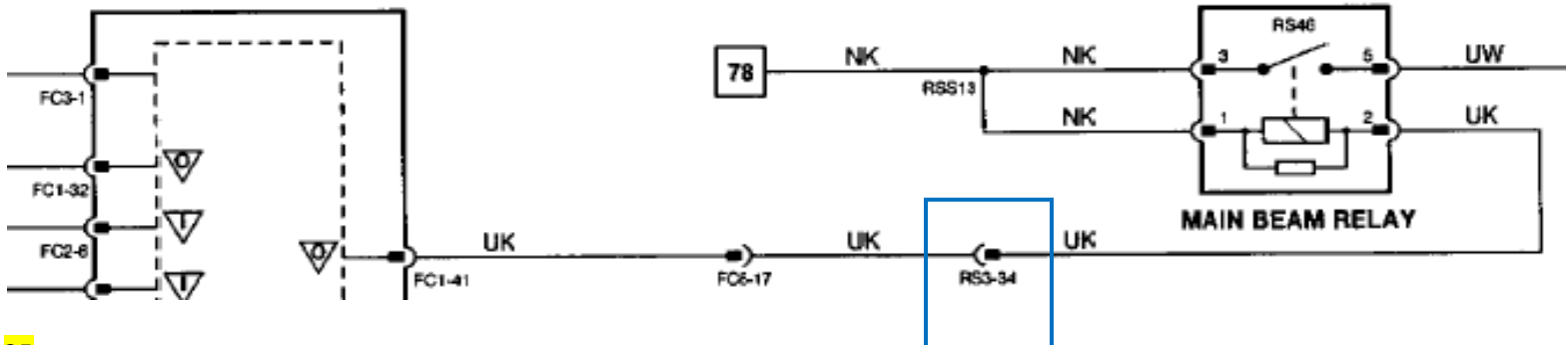
25



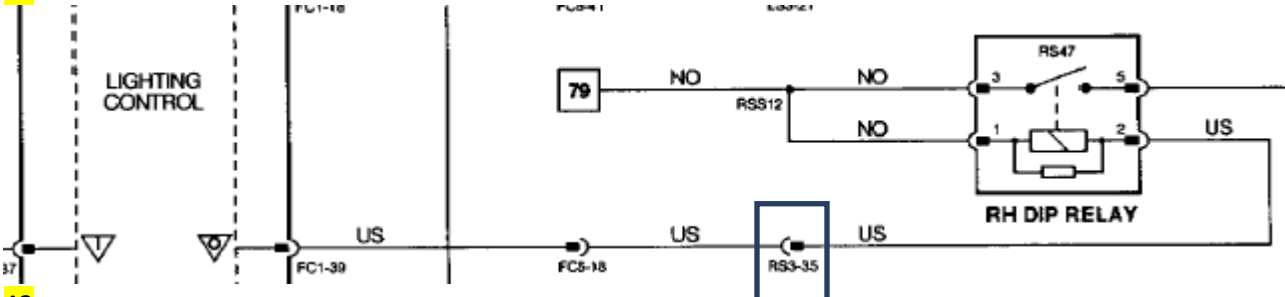
30 15-4



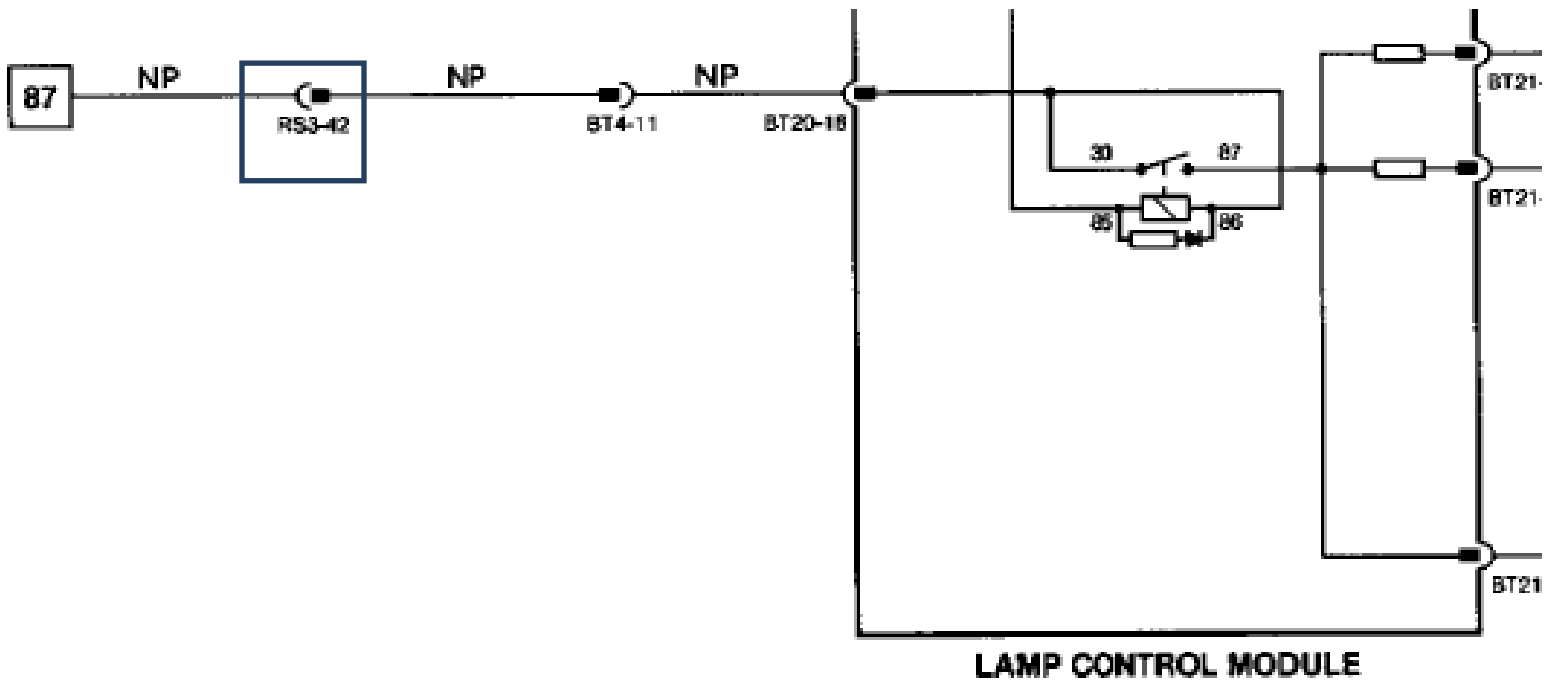
34



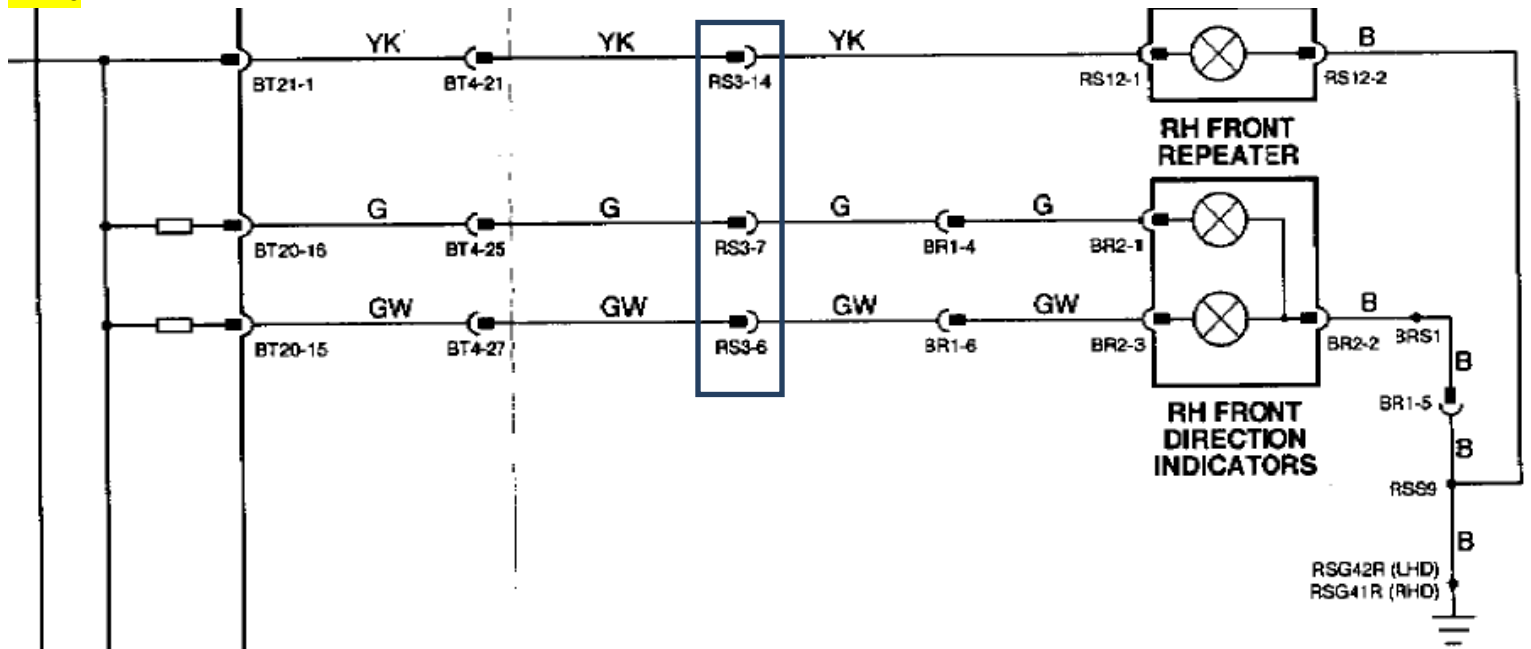
35



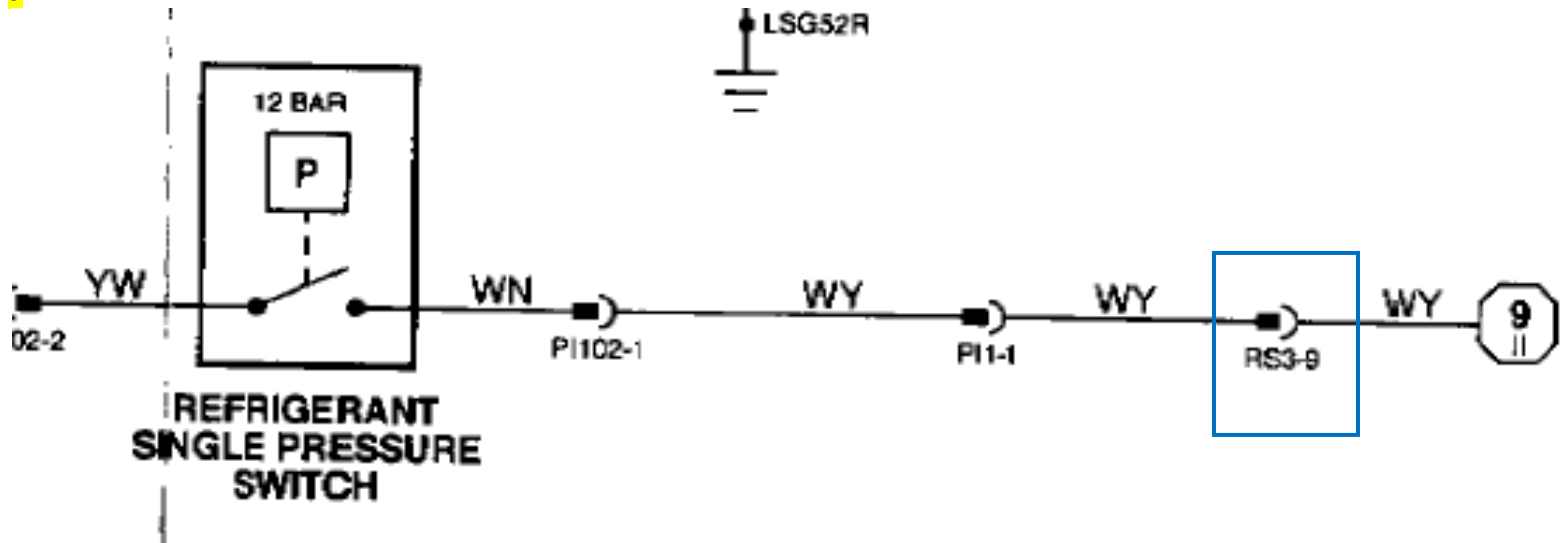
42



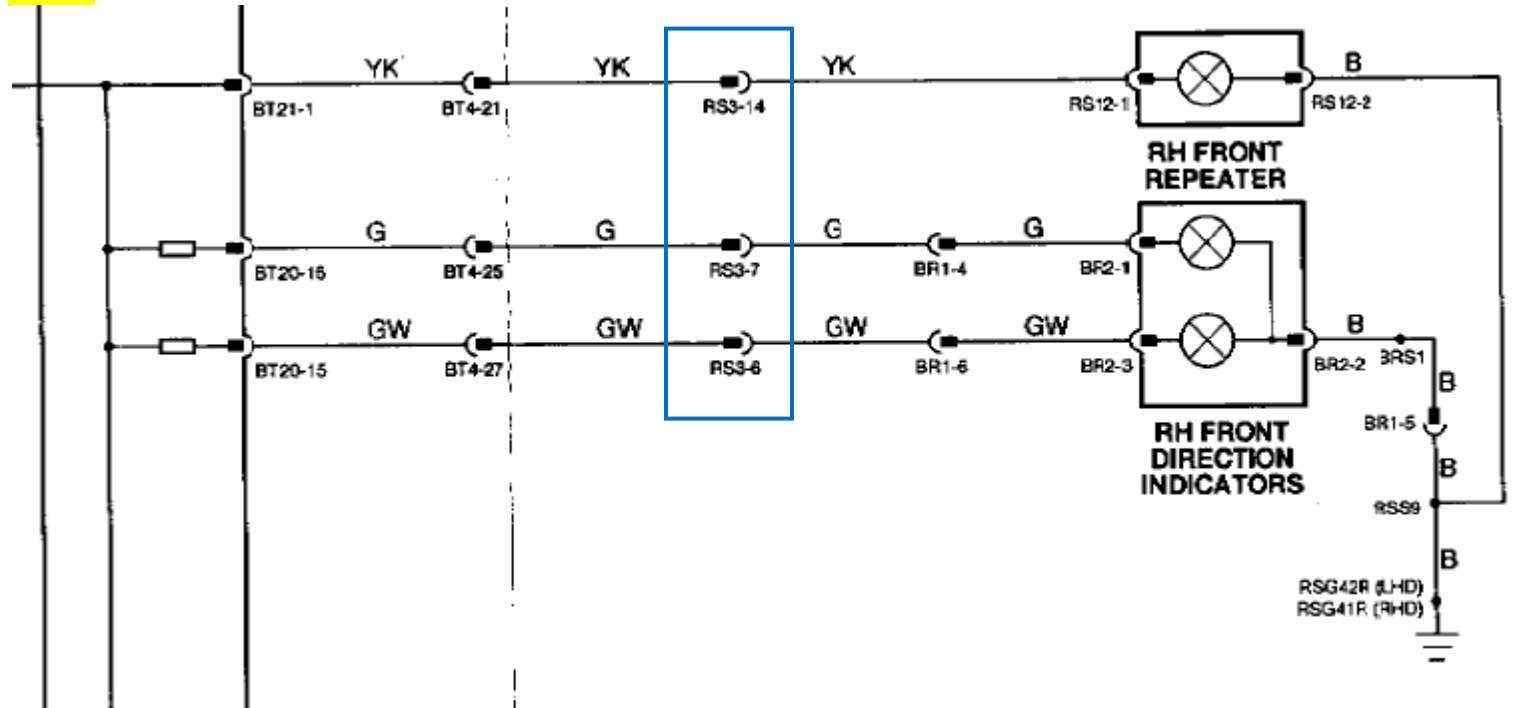
14 7 6



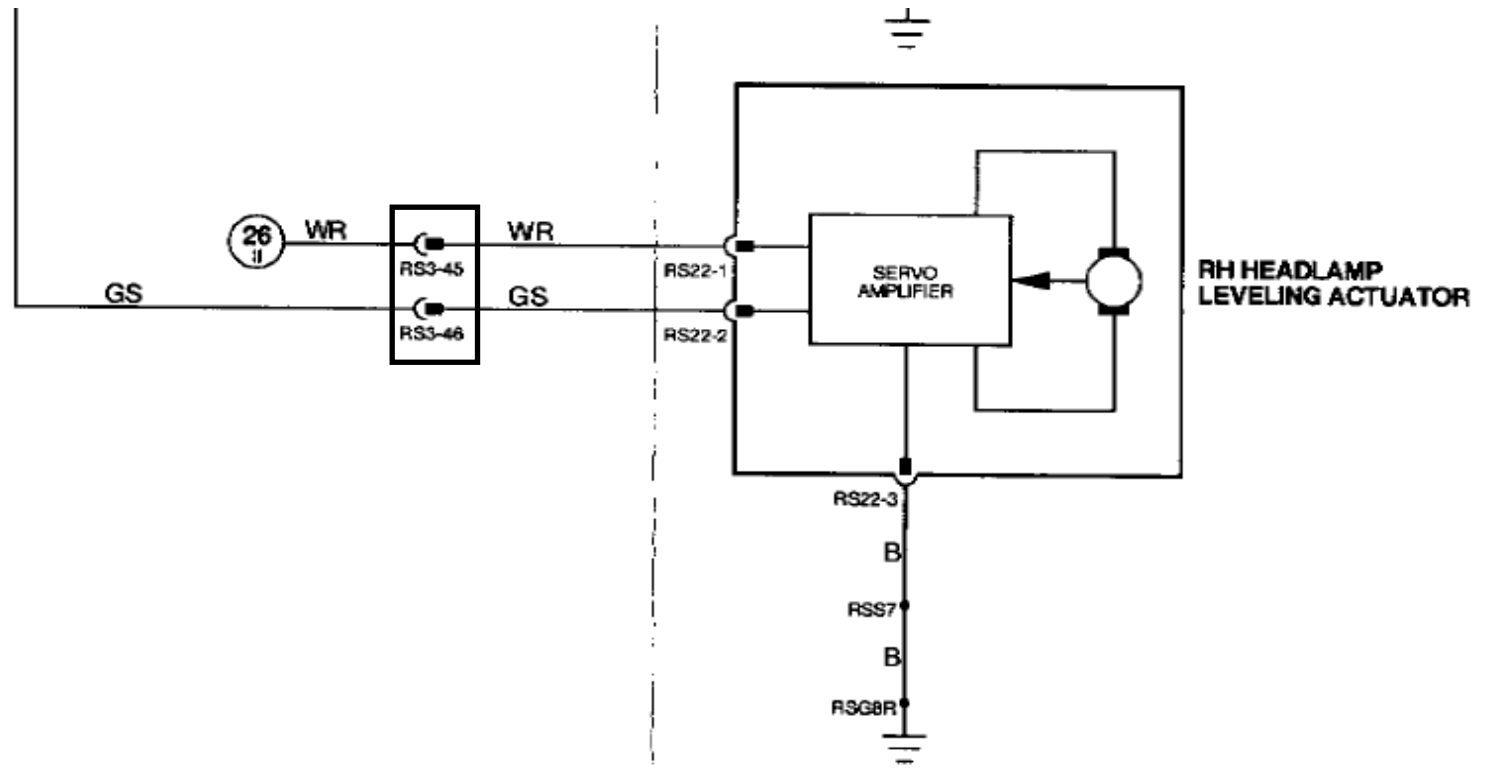
9



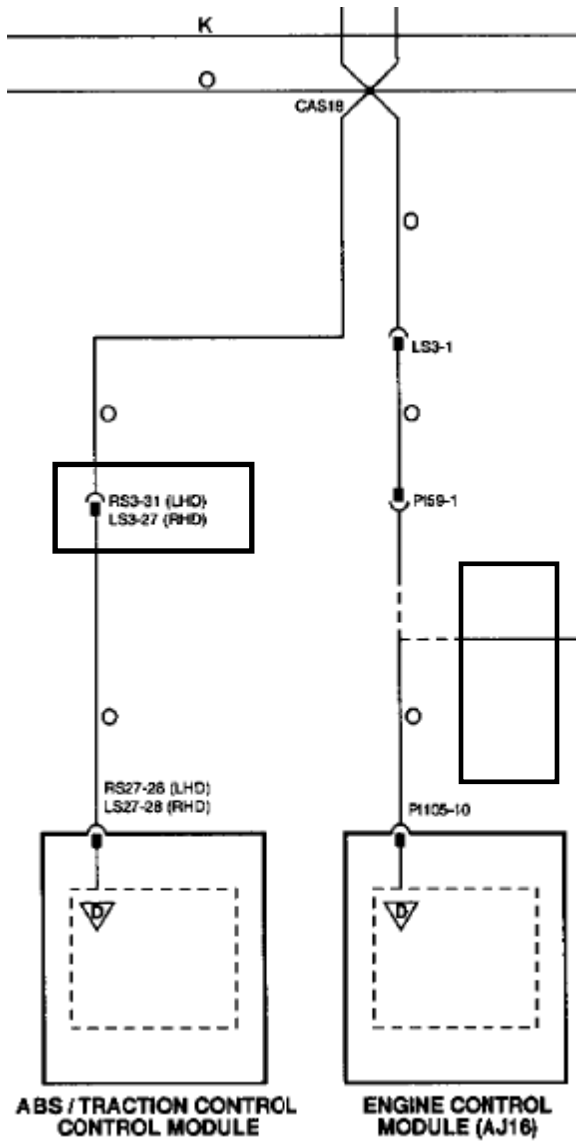
6 7 14



45 46



31 21 - 1



47 48

