

# 1998 XJ RANGE - Rear Suspension - 204-02

## Stabilizer Bar Bushing Vehicles With: Supercharger 64.35.18

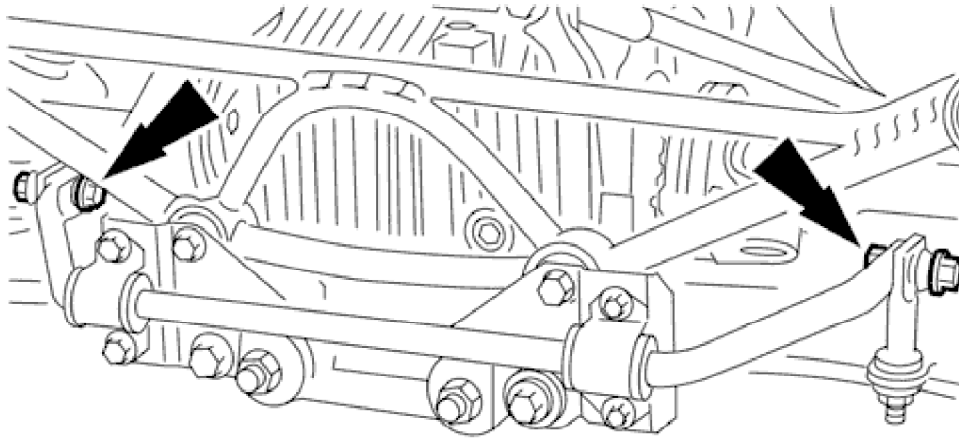
Rubber Suspension Insulator Lube

Castrol NTR

### Removal

-  **CAUTION:**  
**Replacement of nuts and bolts: Various thread-locking devices are used on nuts and bolts throughout the vehicle. These devices restrict the number of times a nut or bolt can be used. See section <<100-00>> for information.**

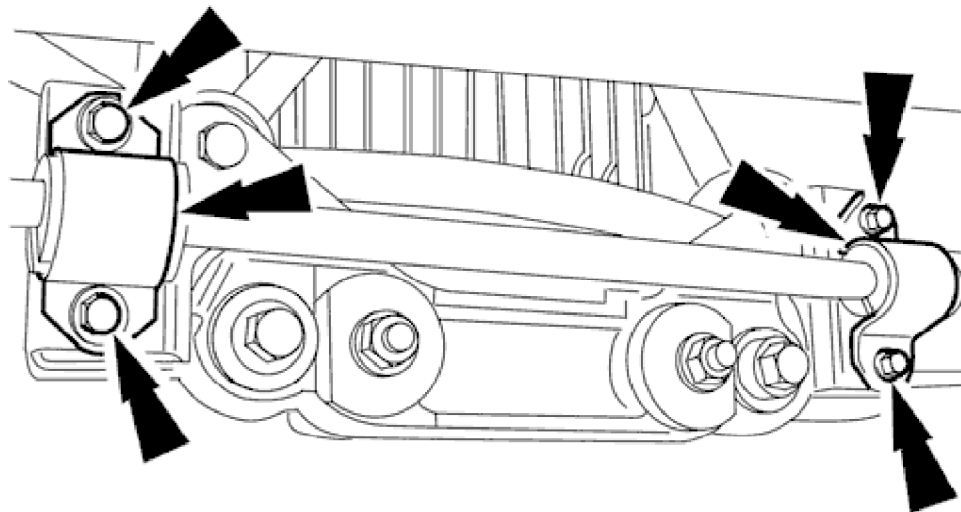
Raise vehicle on a four-post lift. Refer to section <<100-02>>.



E32322

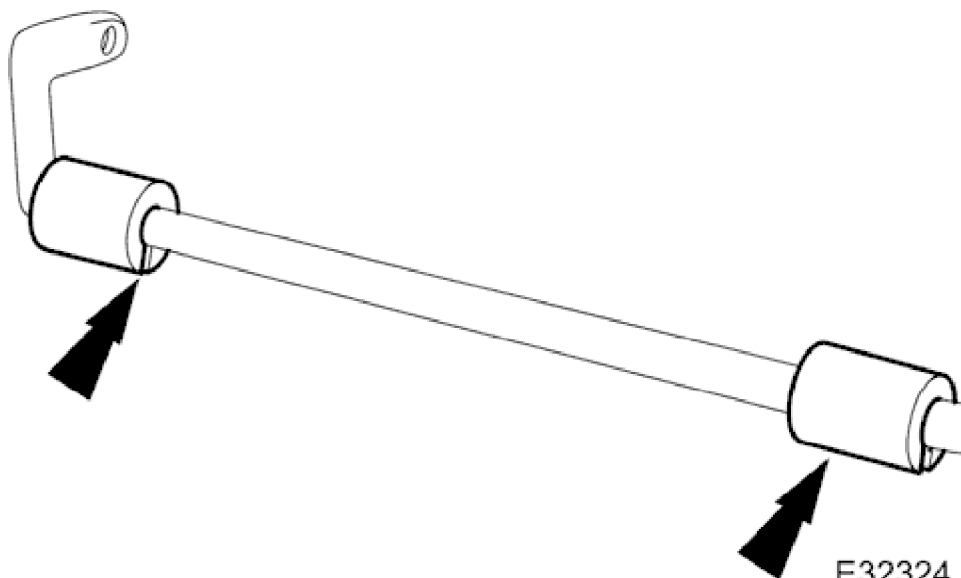
2. Remove nuts and bolts securing stabilizer bar to links.

# 1998 XJ RANGE - Rear Suspension - 204-02



E32323

- 3. Remove stabilizer bar mounting-brackets.
  - Remove bolts.
  - Remove brackets.

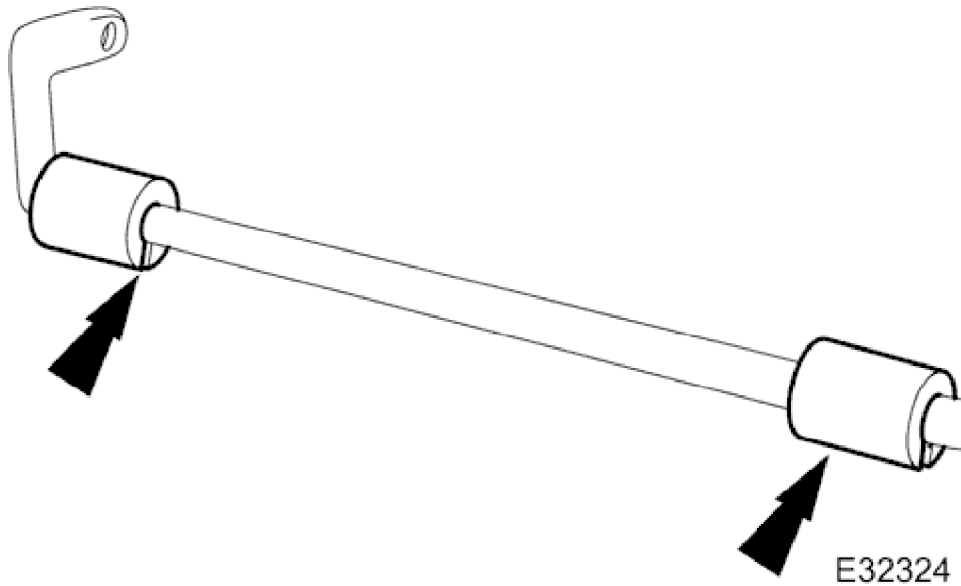


E32324

- 4. Remove stabilizer bar from vehicle.
  - Remove bushes.
- 5. Clean relevant parts.

## Installation

## 1998 XJ RANGE - Rear Suspension - 204-02

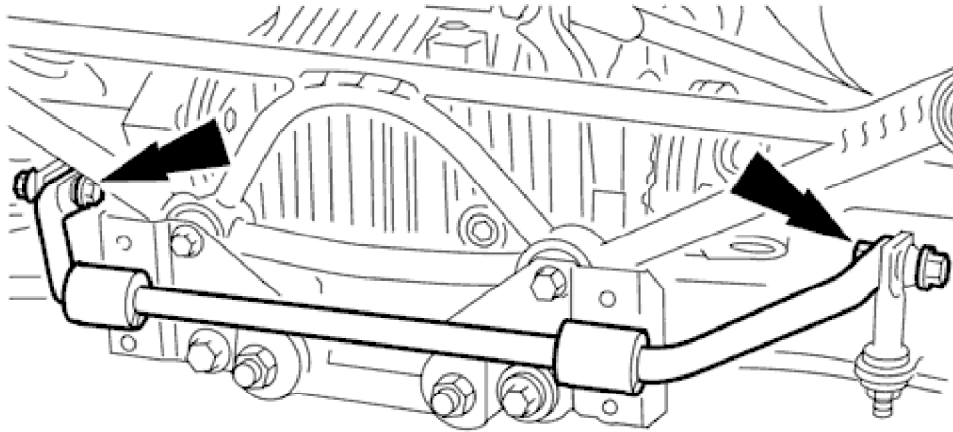


1. **CAUTION:**

**Make sure the Castrol NTR grease is only applied to the inner surface of the mounting bushes. Failure to follow this instruction may affect the retention of the bushes in the retaining brackets.**

Fit bushes to stabilizer bar.

- Apply a thin film of Castrol NTR grease to the inner surface of the bushes.

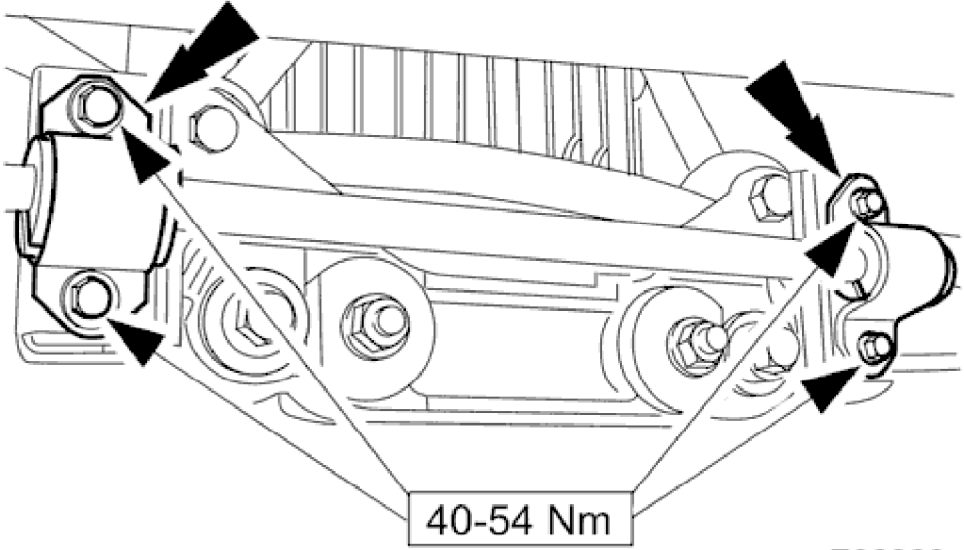


E32325

2. Position stabilizer bar to vehicle.

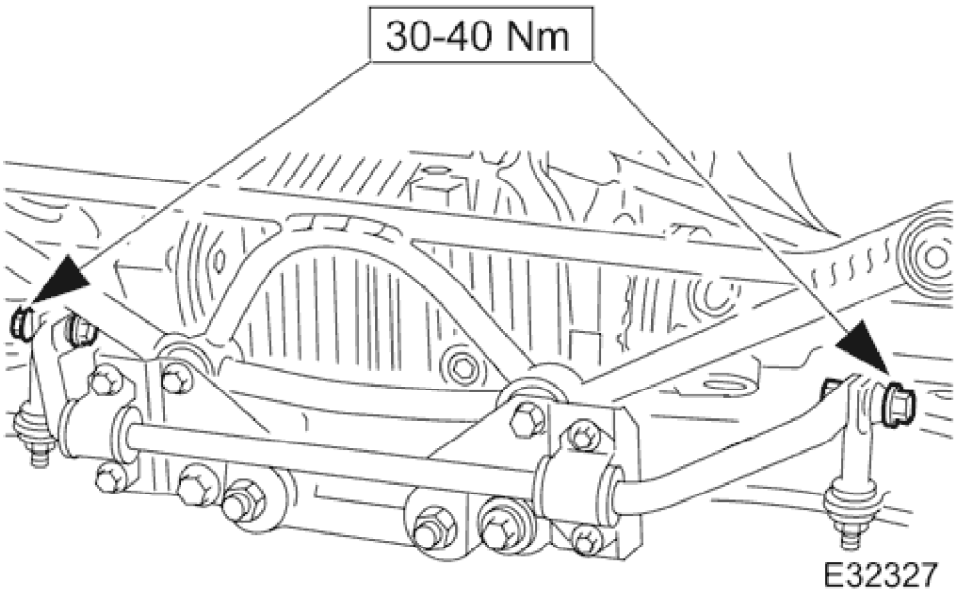
- Position stabilizer bar to links.
- Fit nuts and bolts, DO NOT tighten at this stage.

# 1998 XJ RANGE - Rear Suspension - 204-02



E32326

- 3. Fit mounting brackets to stabilizer bar.
  - Align bushes and fit mounting brackets.
  - Fit and tighten bolts.



E32327

- 4. Tighten nuts securing stabilizer bar to links.
- 5. Lower four-post lift.