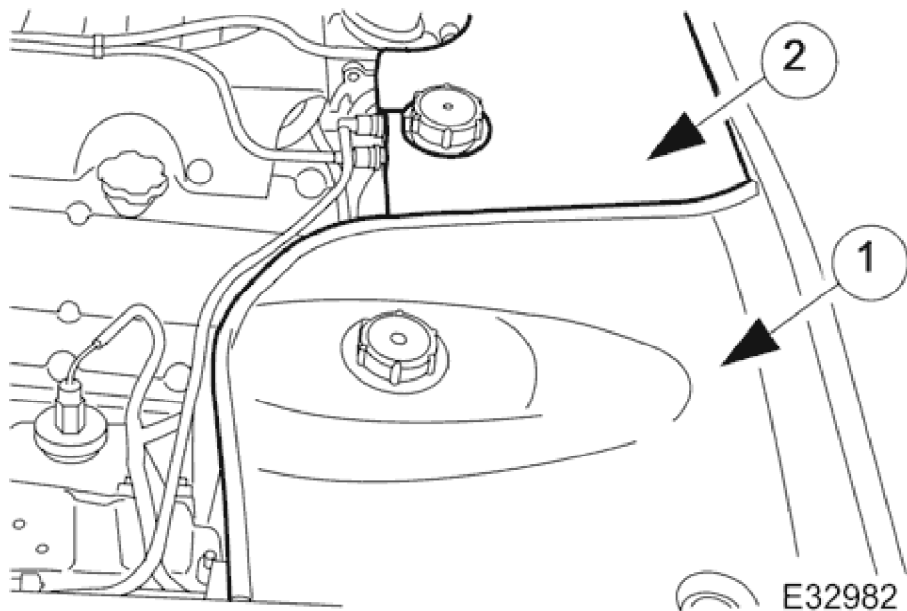


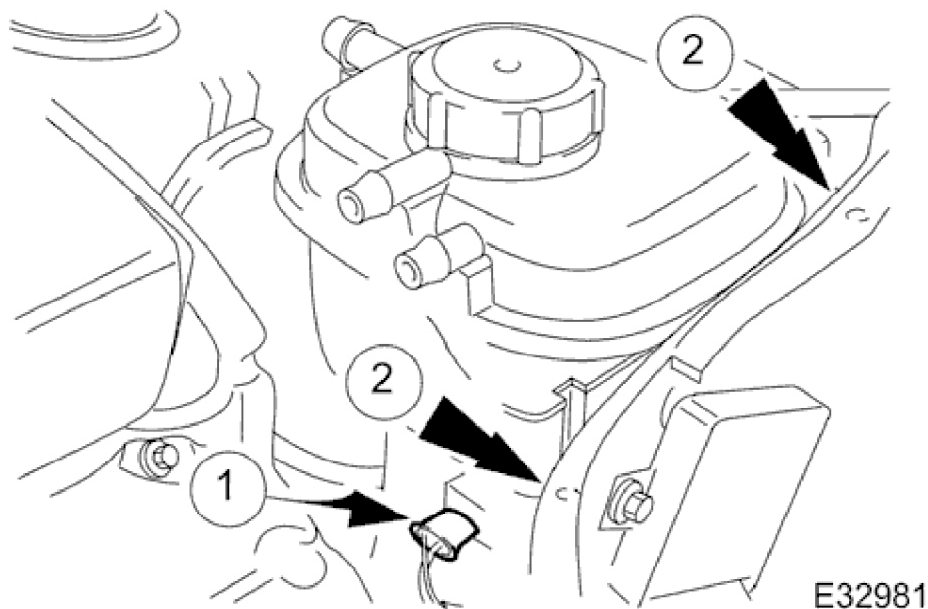
Catalytic Converter Gasket LH Vehicles Without: Supercharger 17.50.06

Removal

1. Open the engine compartment and fit paintwork protection sheets.
2. Remove the front muffler; refer to Operation <<30.10.18>> in this section.

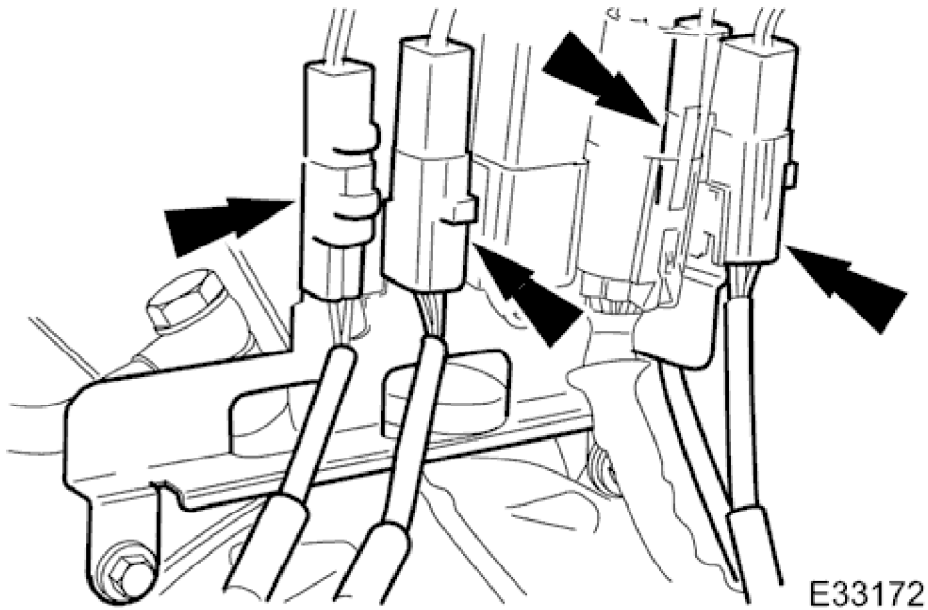



3. Remove the centre trim panel from the engine compartment.
 1. Remove the left hand side enclosure panel.
 2. Remove the centre trim panel.



1998 XJ RANGE - Exhaust System - 309-00

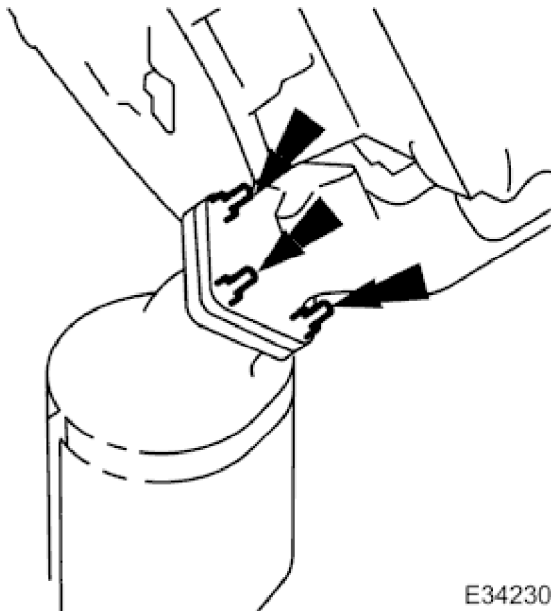
4. Reposition the expansion tank from the mounting.
 1. Disconnect the coolant level sensor connector.
 2. Remove the nuts which secures the tank.



5.  **CAUTION:**
Note the position of the upstream and downstream (where fitted) oxygen sensor multiplugs for reassembly.

Disconnect the oxygen sensor multiplugs.

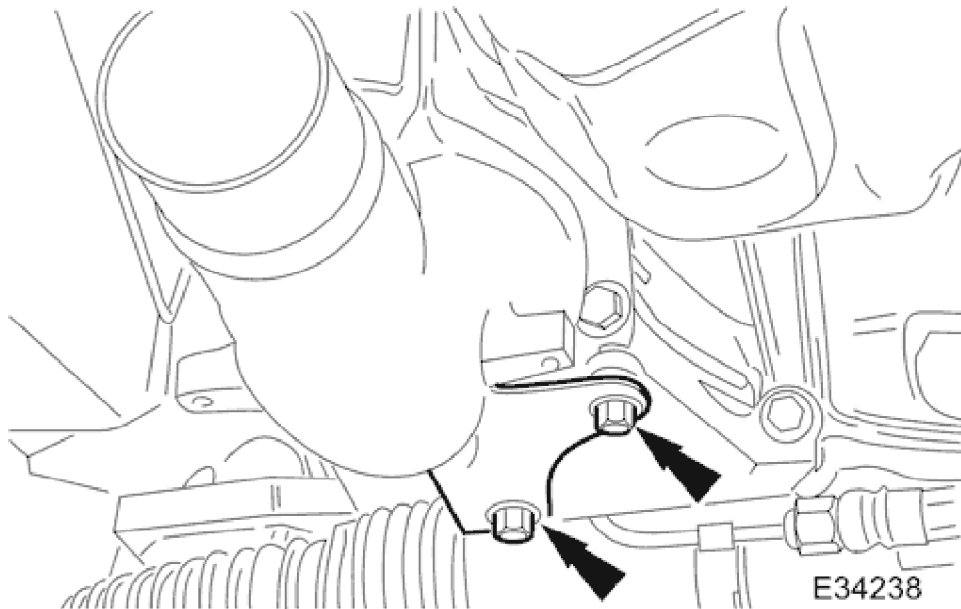
- Release the multiplugs from the engine mounting bracket.
- Disconnect the plug(s) from the oxygen sensor(s)



6. Remove the four nuts which secure the downpipe catalytic converter to the exhaust manifold.

1998 XJ RANGE - Exhaust System - 309-00

7. Raise the vehicle on a ramp.

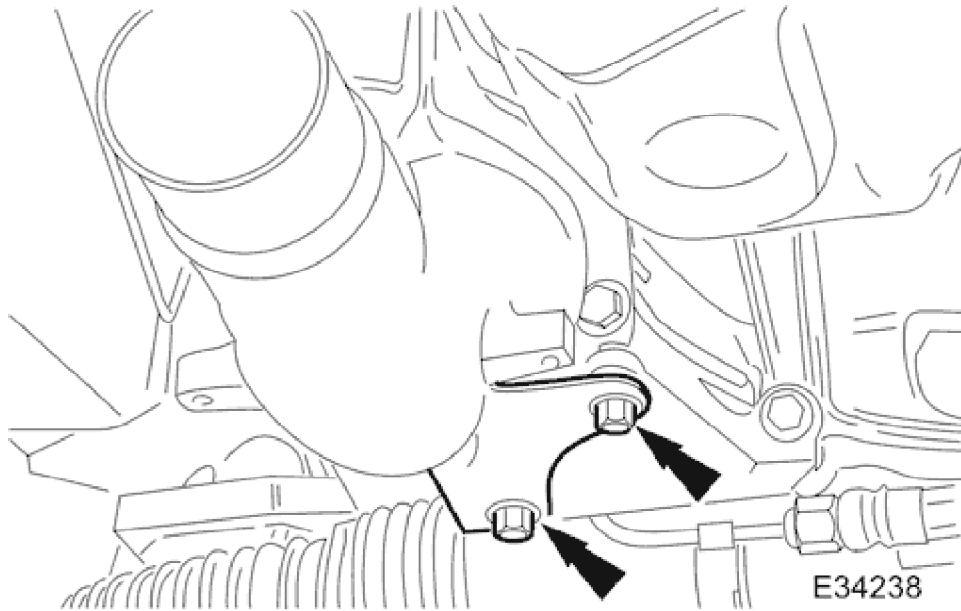


8. Remove the downpipe catalytic converter.
 - Remove the bolts which secure the downpipe lower mounting bracket.
 - Remove the downpipe assembly.
9. Remove gasket from the manifold flange.
 - Clean and inspect the manifold joint faces.
 - Clean and inspect the threads on the downpipe studs.

Installation

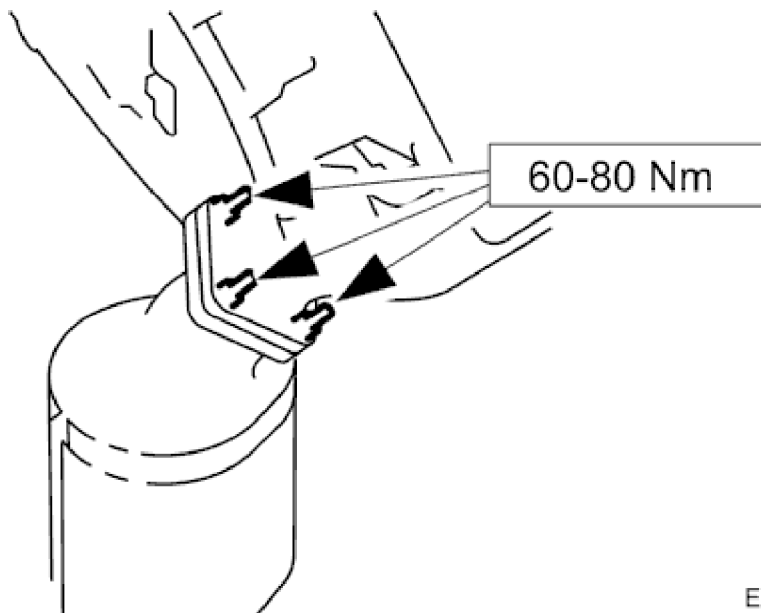
1. Fit a new gasket to the manifold mating flange on the downpipe.

1998 XJ RANGE - Exhaust System - 309-00



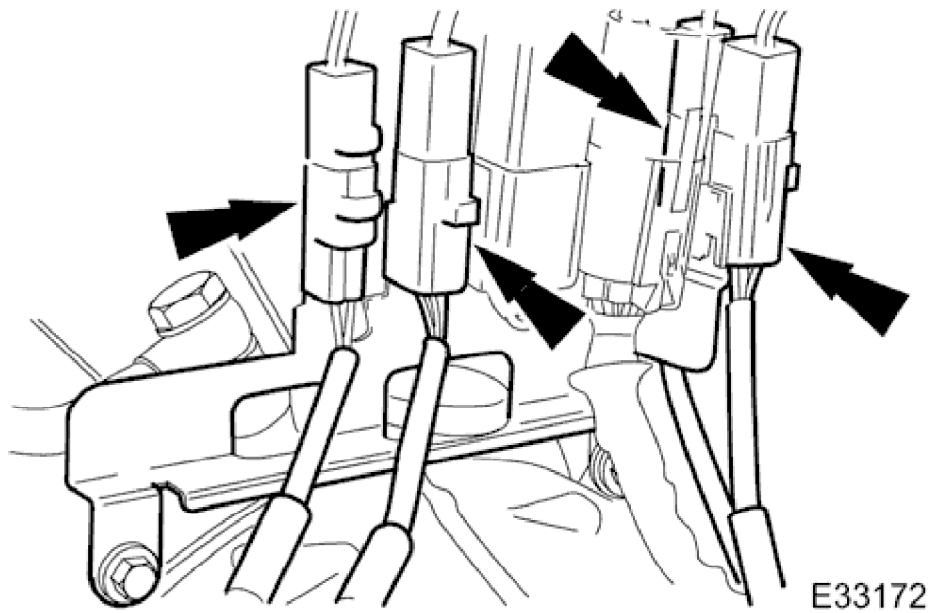
2. Fit the downpipe catalytic converter.
 - Fit the downpipe assembly to the manifold
 - Fit, but do not fully tighten, the mounting bracket securing bolts. (Leave loose until the nuts securing the downpipe to the exhaust manifold are fitted.)

3. Lower the ramp.

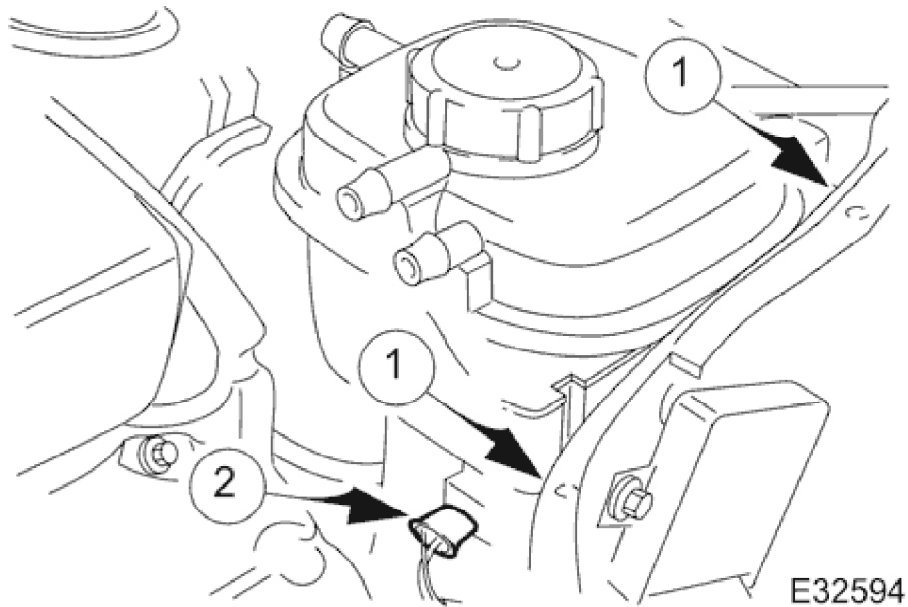


4. Tighten the nuts securing the downpipe flange to the manifold flange.

1998 XJ RANGE - Exhaust System - 309-00

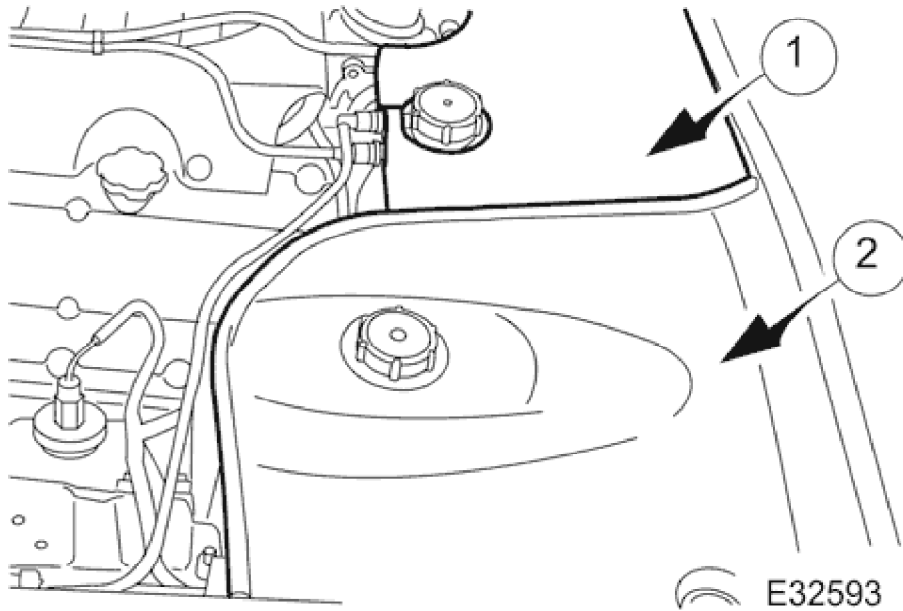


5. Connect the oxygen sensor multiplugs.
- Connect the plug(s) to the respective (previously noted) sensor(s).
 - Correctly position the multiplugs on the mounting bracket.



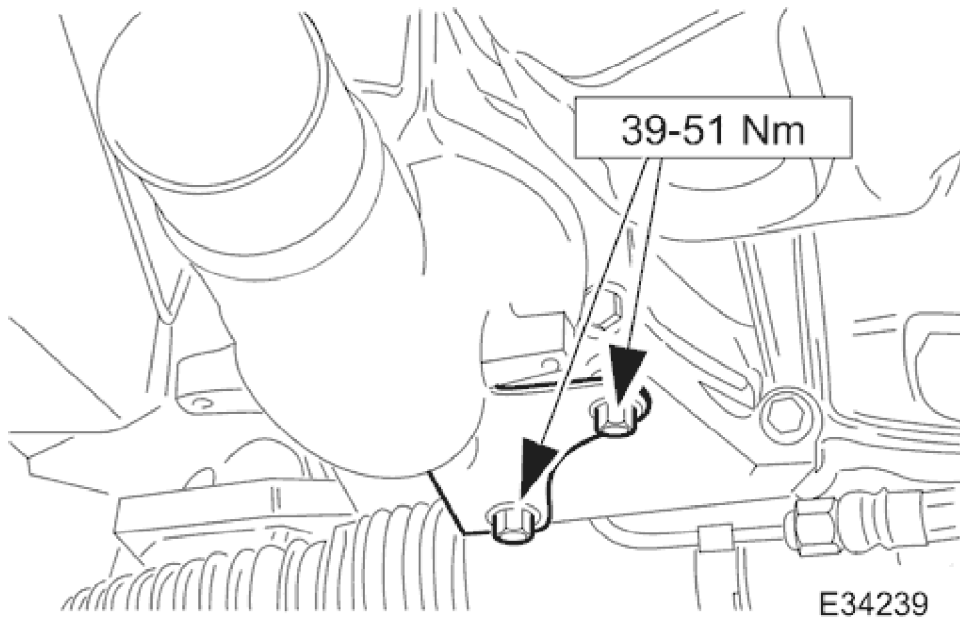
6. Fit the coolant header tank.
1. Reposition the tank and fit the securing nuts.
 2. Connect the harness connector

1998 XJ RANGE - Exhaust System - 309-00



7. Refit the centre trim panel and the left hand enclosure panel to the engine compartment.
 1. Refit the centre trim panel.
 2. Refit the left hand enclosure panel.

8. Raise the ramp.



9. Tighten the mounting bracket securing bolts.
10. Fit the front muffler; refer to Operation <<30.10.18>>.
11. Lower the ramp.

1998 XJ RANGE - Exhaust System - 309-00

12. Remove the paintwork protection sheets and close the engine cover.