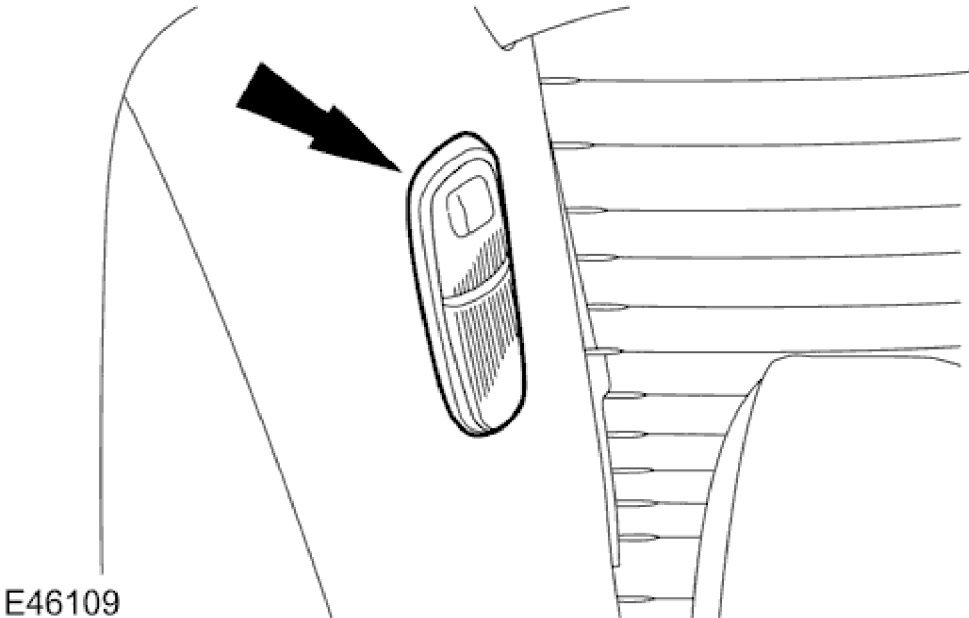


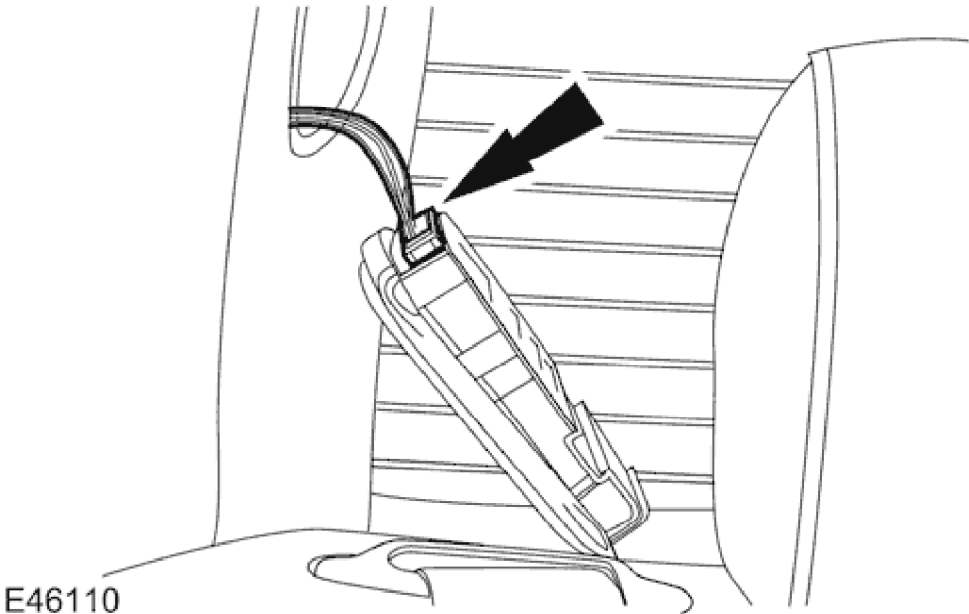
C-Pillar Trim Panel 76.13.73

Removal

- 1. Remove the passenger assist handle. <<Passenger Assist Handle>>



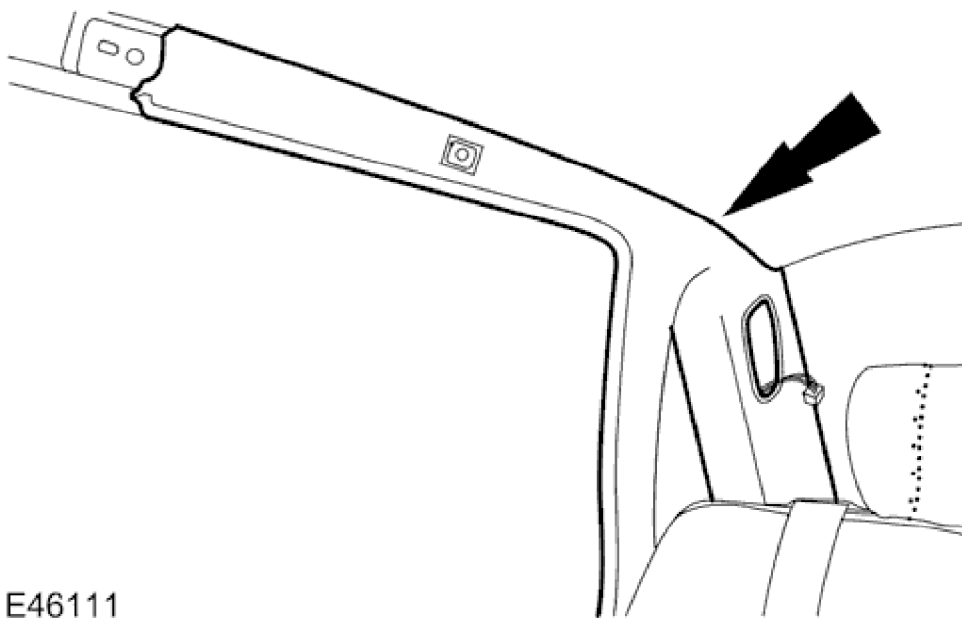
- 2. Detach the rear courtesy/reading light.



- 3. Remove the rear courtesy/reading light.
 - Disconnect the electrical connector.

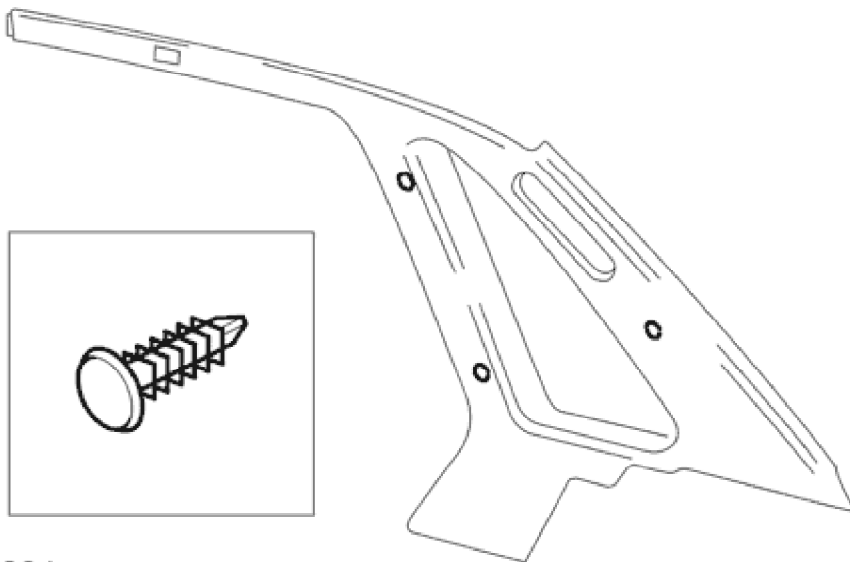
1998 XJ RANGE - Interior Trim and Ornamentation - 501-05

4. Detach the door aperture weatherstrip.



E46111

5. Detach the C-pillar trim panel fir tree fasteners from the BIW.

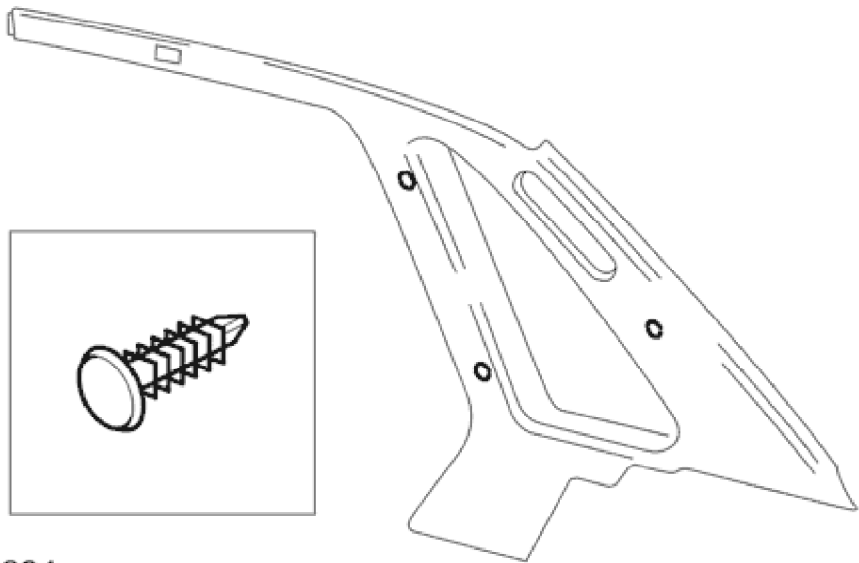


E36224

6. Remove the C-pillar trim panel and discard the fir tree fasteners.

Installation

1998 XJ RANGE - Interior Trim and Ornamentation - 501-05



E36224

- 1. To install, reverse the removal procedure.
 - Fit new fir tree fasteners to the C-pillar trim panel.