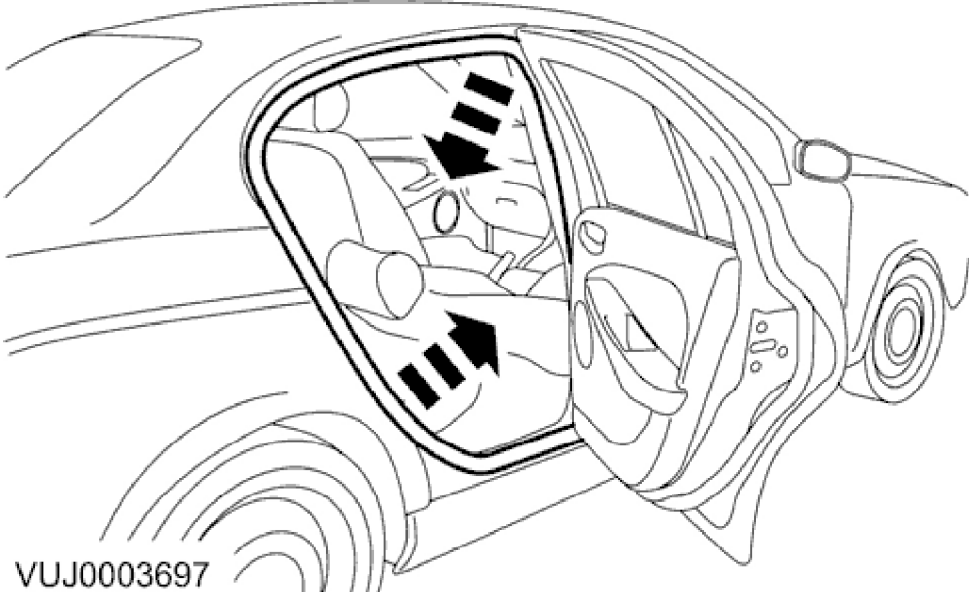


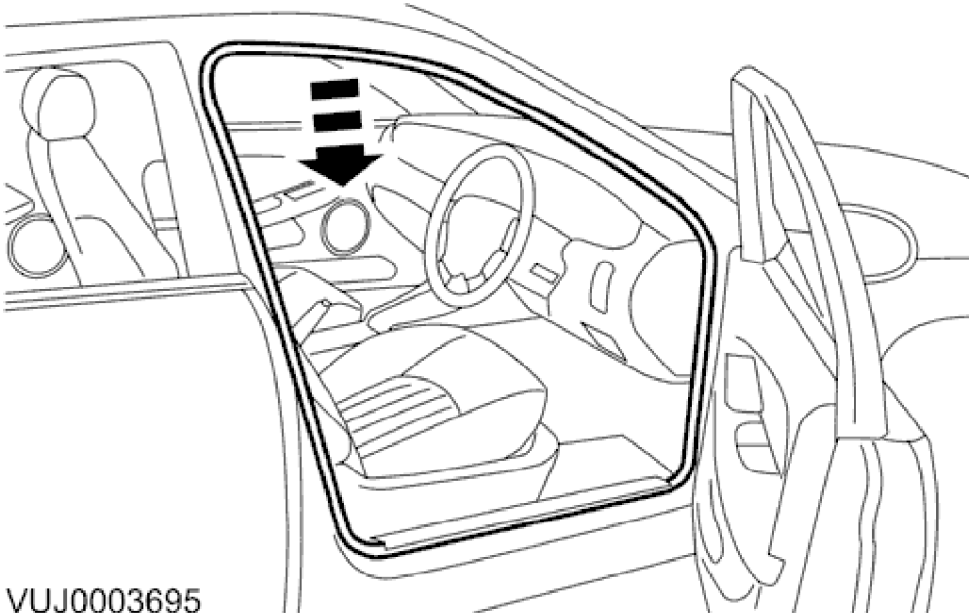
B-Pillar Upper Trim Panel 76.13.28

Removal



VUJ0003697

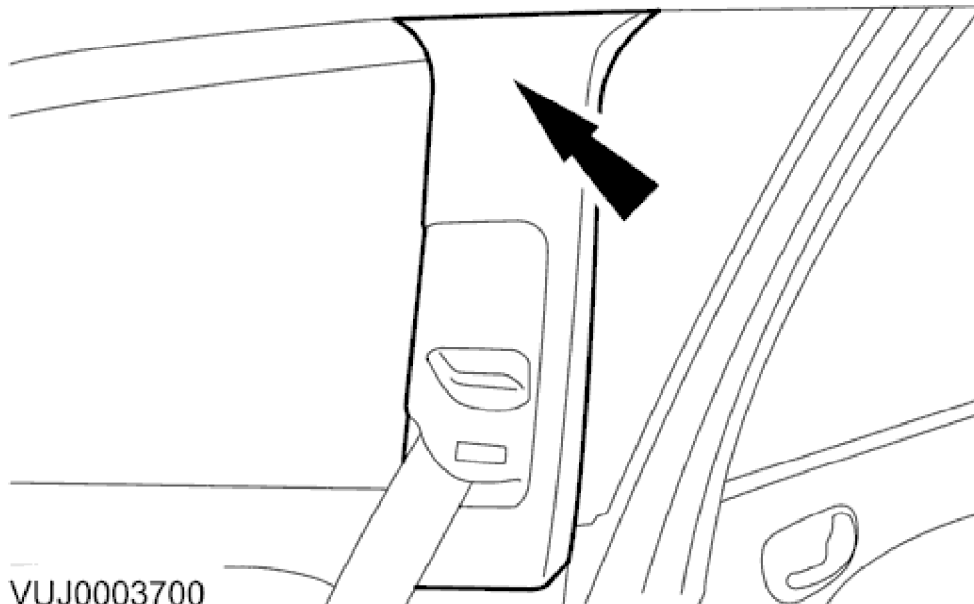
1. Detach the rear door opening weather-strip.



VUJ0003695

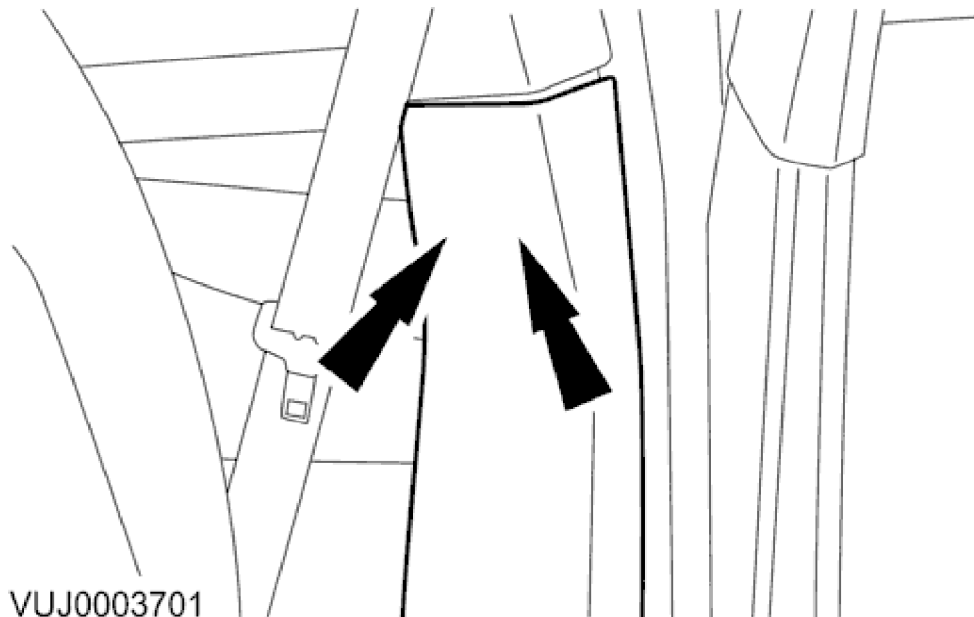
2. Detach the front door opening weather-strip.

2004.25 X-TYPE - Interior Trim and Ornamentation - 501-05



VUJ0003700

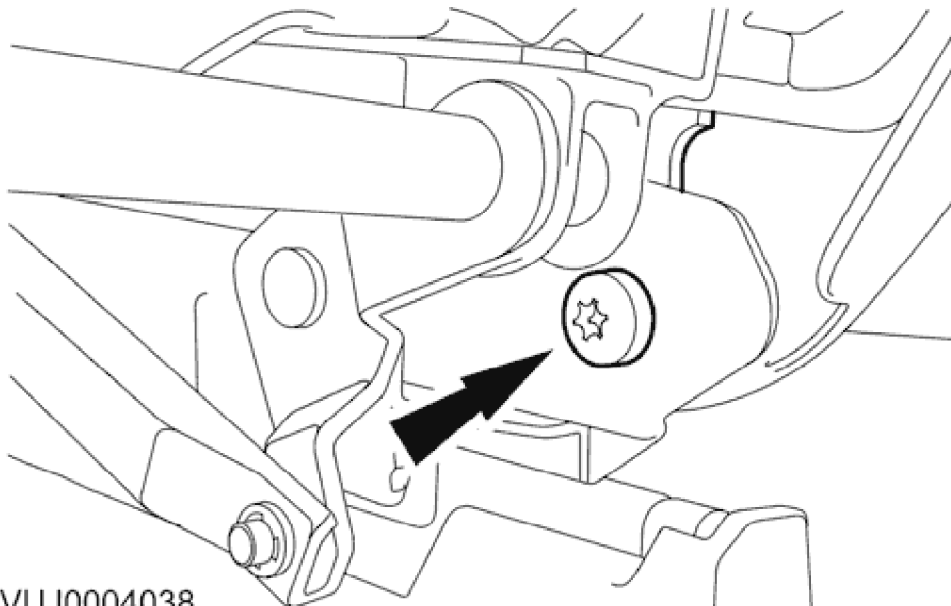
3. Detach the B-Pillar upper trim panel.



VUJ0003701

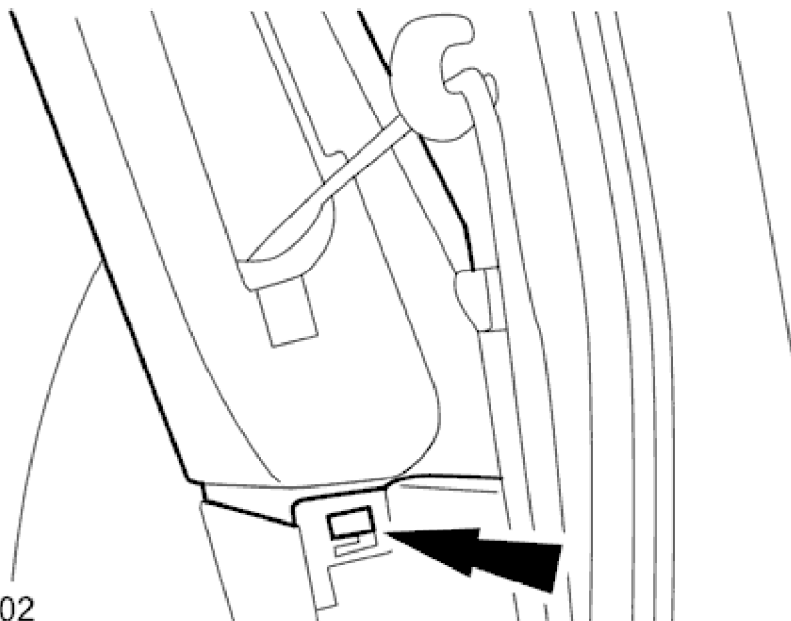
4. Detach the B-pillar lower trim panel.

2004.25 X-TYPE - Interior Trim and Ornamentation - 501-05



VUJ0004038

5. Detach the safety belt lower anchor from the underside of the seat.

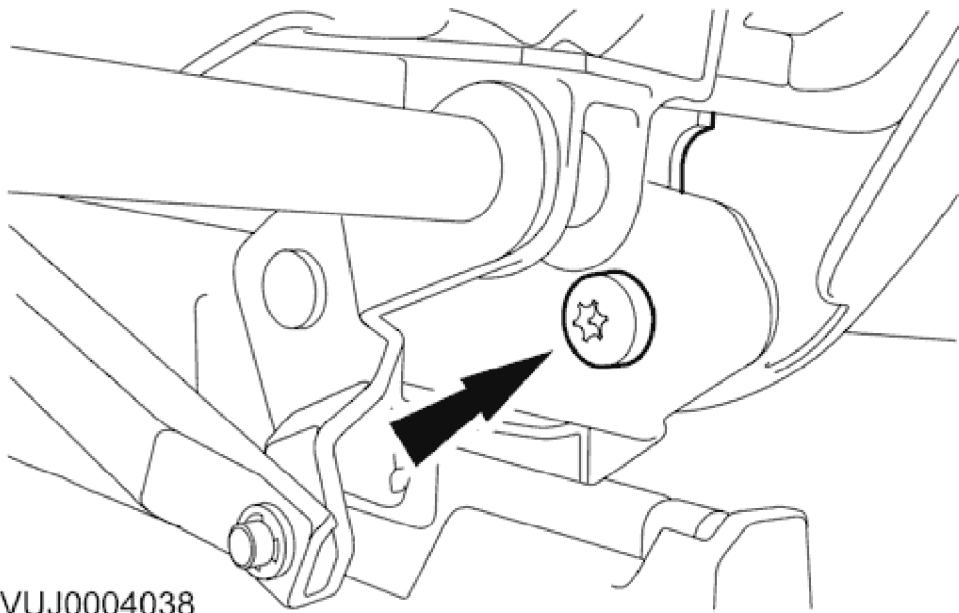


VUJ0003702

6. Remove the B-pillar upper trim panel.

Installation

2004.25 X-TYPE - Interior Trim and Ornamentation - 501-05



VUJ0004038

- 1. To install, reverse the removal procedure.
 - Tighten to 55 Nm.