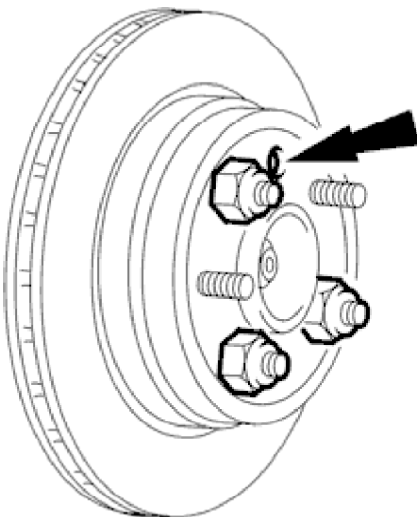


# 2003 XJ RANGE - Parking Brake and Actuation - 206-05

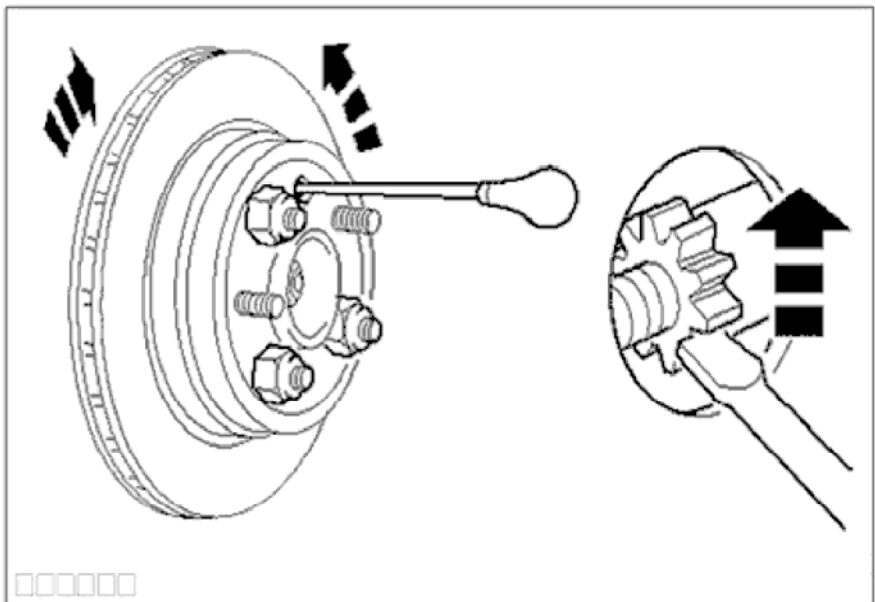
## Parking Brake Shoe and Lining Adjustment

1. Raise rear of vehicle and support on stands. See section <<100-02>>.
2. Remove both rear wheels.
3. Make sure that the parking brake lever is in the released position, and the gear selector lever is in neutral (N).



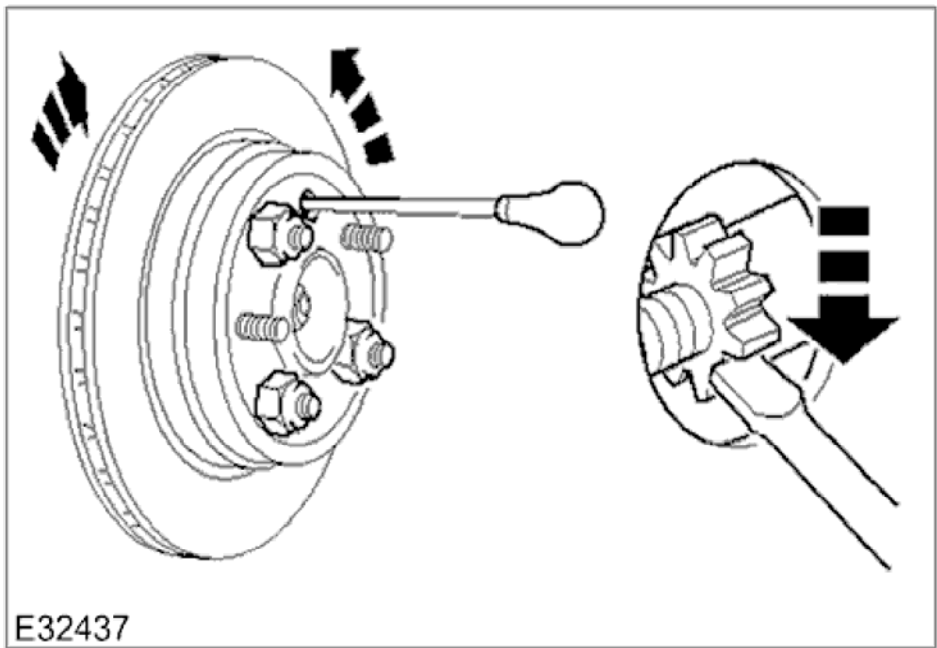
E33772

4. Align brake disc access hole with parking brake adjuster.
  - Install three wheel nuts to secure brake disc to hub. Tighten nuts to 20 Nm.
  - Remove plug from access hole.
  - Rotate brake disc until access hole is aligned with adjuster.



# 2003 XJ RANGE - Parking Brake and Actuation - 206-05

5. Using a flat-bladed screwdriver rotate the adjuster anticlockwise until the brake disc cannot be rotated.



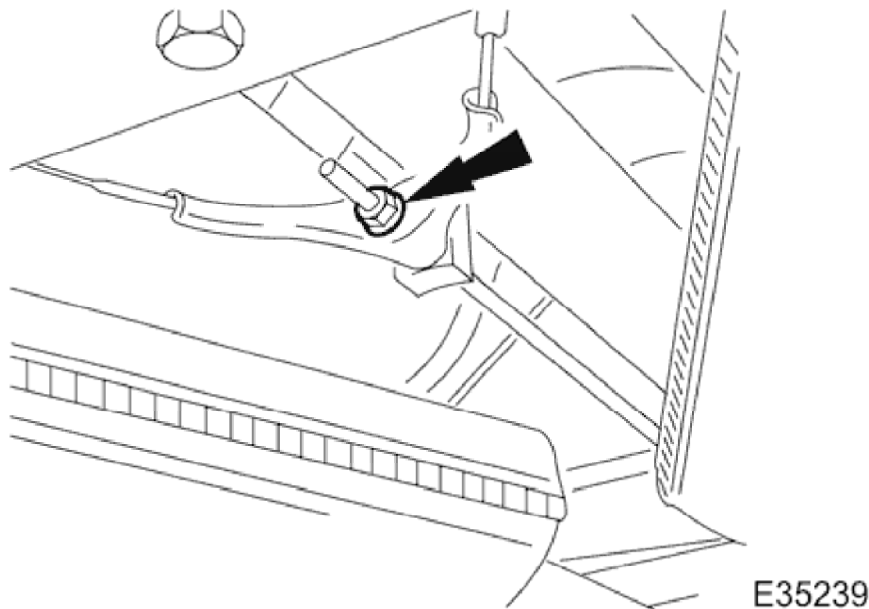
6. **NOTE:**

The brake shoe return-spring next to the adjuster prevents the adjuster from rotating under normal operating conditions. Make sure that the spring is seated between the adjuster spokes, when brake adjustment is complete.

Rotate the adjuster gradually clockwise until the brake disc rotates freely.

- Install plug to access hole.

7. Repeat parking brake setting procedure on opposite-side of vehicle.



## 2003 XJ RANGE - Parking Brake and Actuation - 206-05



8. **CAUTION:**

**Make sure that the rear wheels rotate freely when the parking brake lever is released.**

Adjust parking brake cable.

- Rotate adjusting nut, until the parking brake can be applied by raising the parking brake lever 3 to 5 clicks.

9. Remove wheel nuts.

10. Fit rear wheels. See section <<204-04>>.

11. Remove stands and lower vehicle.