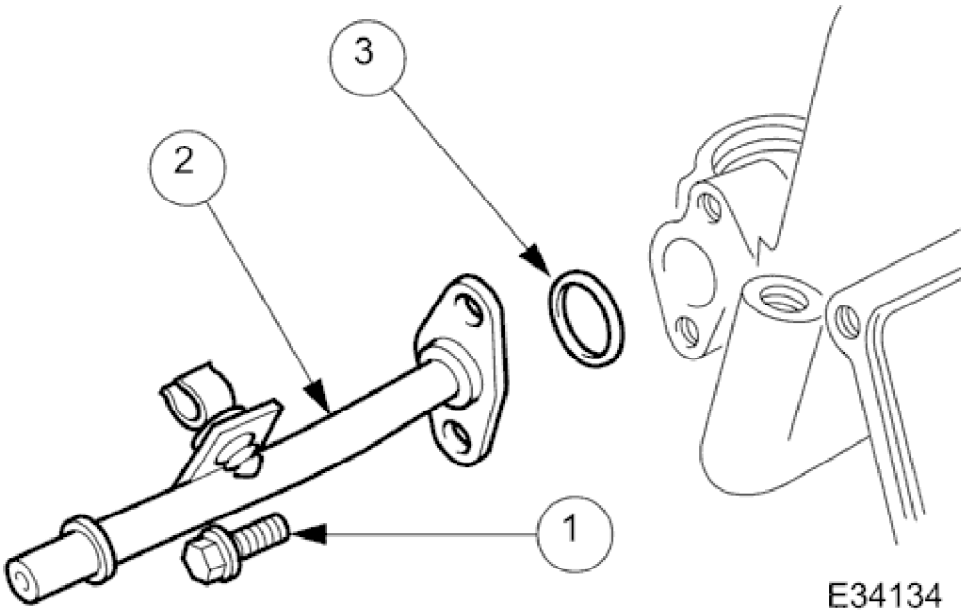


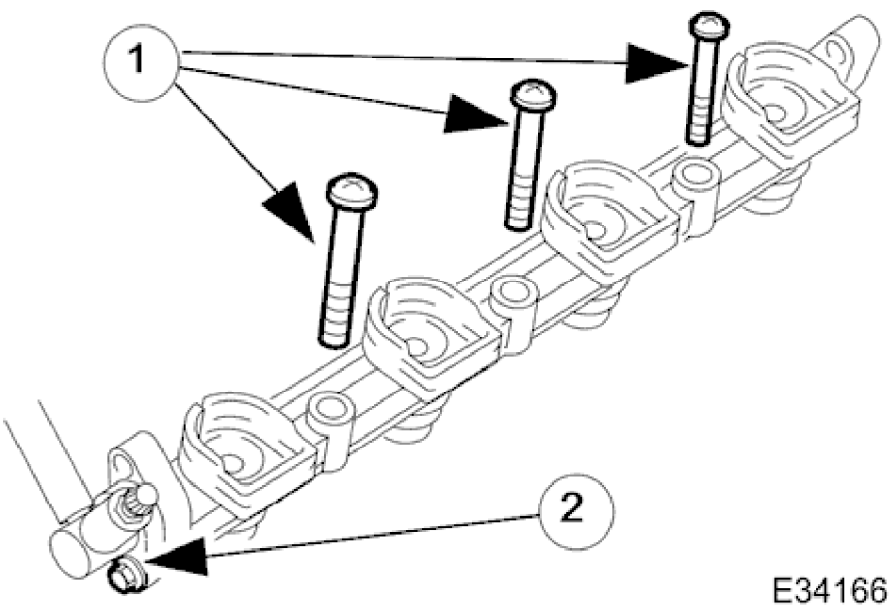
Fuel Injection Supply Manifold LH 19.60.05

Removal

- 1. Remove fuel injectors; refer to (SC) <<18.10.01>>.



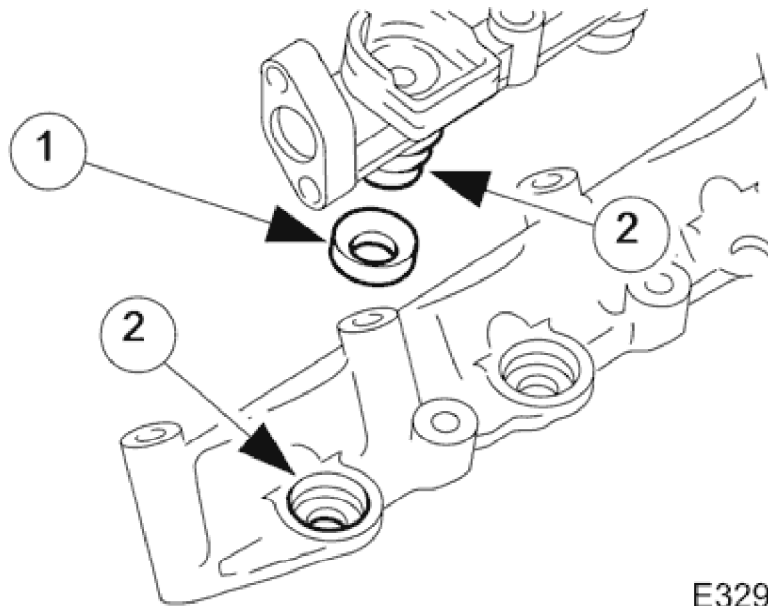
- 2. Disconnect fuel feed pipe from fuel rail.
 - 1. Remove two bolts.
 - 2. Reposition fuel feed pipe.
 - 3. Discard O-ring.



- 3. Remove fuel rail from charge air cooler adaptor.
 - 1. Remove three bolts.

1998 XJ RANGE - Fuel Charging and Controls - 303-04

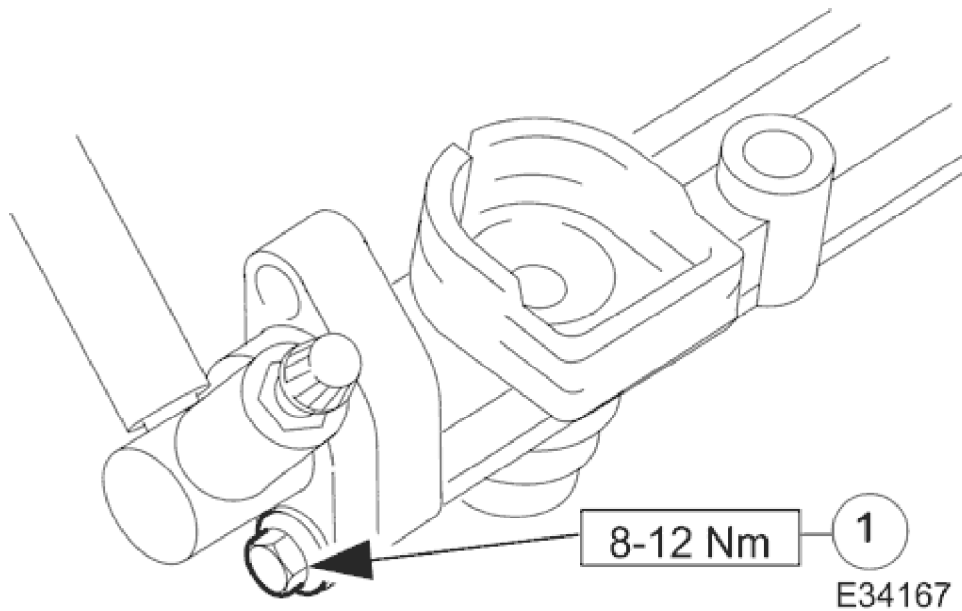
- 2. Reposition fuel rail and remove cross-over pipe securing bolt.
 - Discard O-ring from fuel cross-over pipe.
 - Remove fuel rail.



- 4. Remove seals between fuel rail and charge air cooler adaptor.
 - 1. Discard seals.
 - 2. Clean and inspect mating faces.

Installation

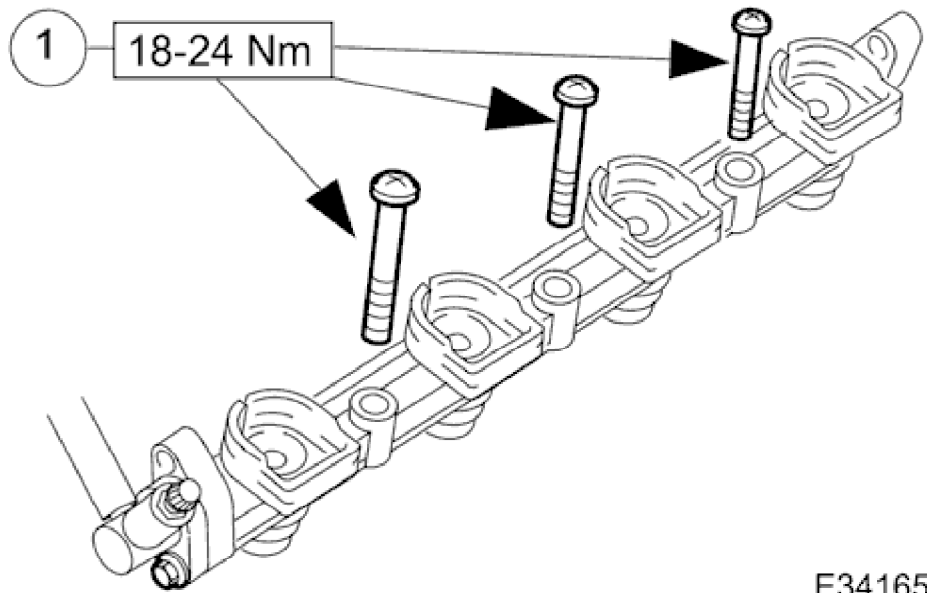
- 1. Install new seals between fuel rail and charge air cooler adaptor ensuring that they are fully seated.



- 2. Install fuel rail to fuel cross-over pipe.

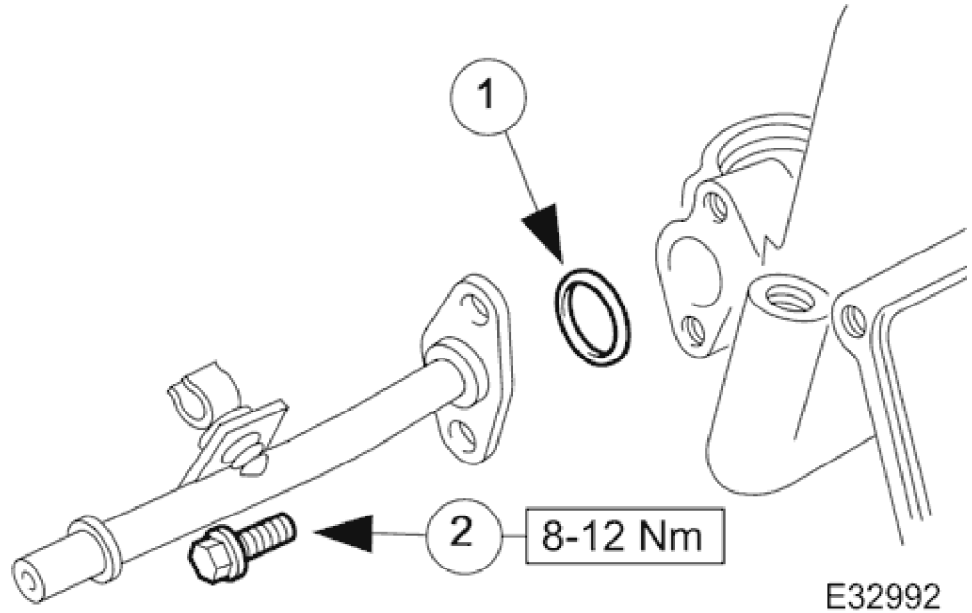
1998 XJ RANGE - Fuel Charging and Controls - 303-04

- Install new O-ring and lubricate with petroleum jelly.
1. Install bolt.



E34165

- 3. Install fuel rail to charge air cooler adaptor.
 - Locate fuel rail into adaptor.
1. Install bolts.



E32992

- 4. Connect fuel feed pipe to fuel rail.
 - 1. Install new O-ring and lubricate with petroleum jelly.
2. Install two bolts.

5. Install fuel injectors; refer to (SC) <<18.10.01>>.