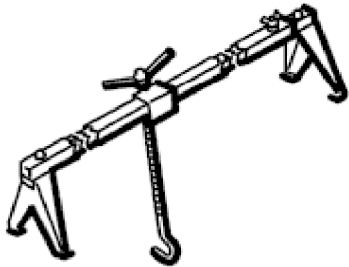


## Transmission - Removal 44.20.01

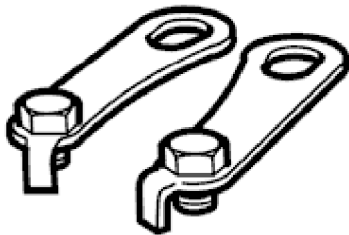
### Special Service tools



E36400

Engine support  
303-021

---



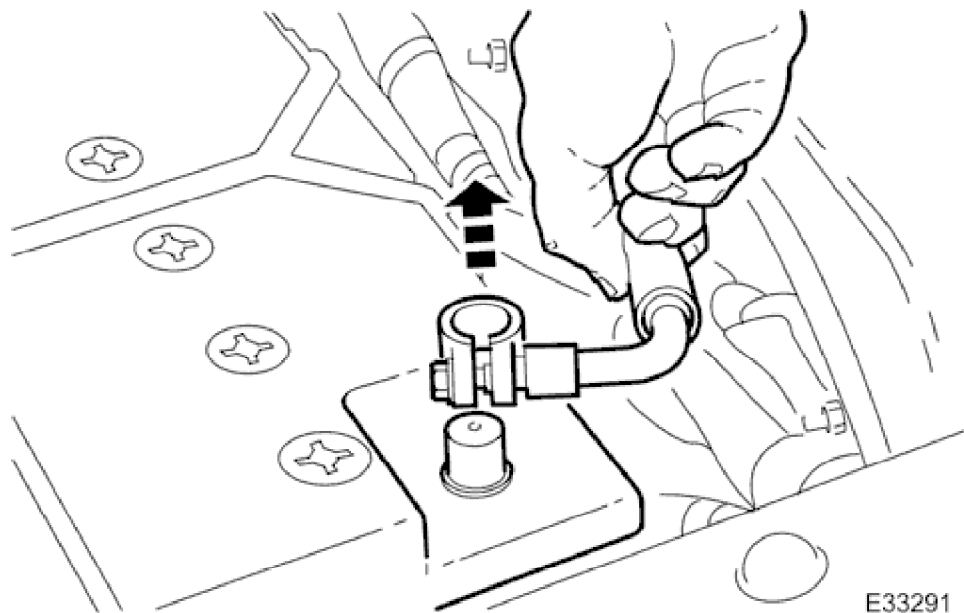
E36403

Engine lifting brackets  
303-536

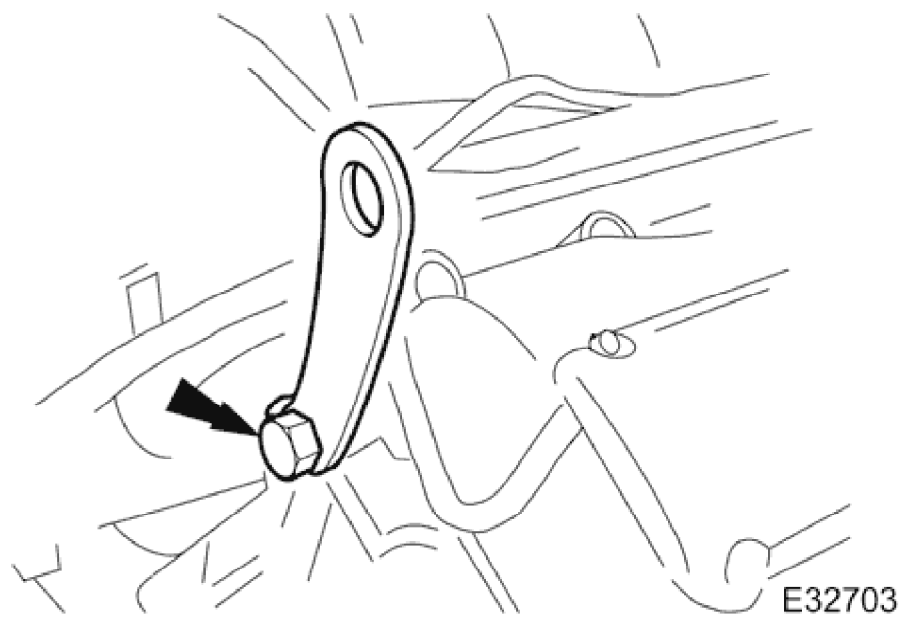
---

### Removal

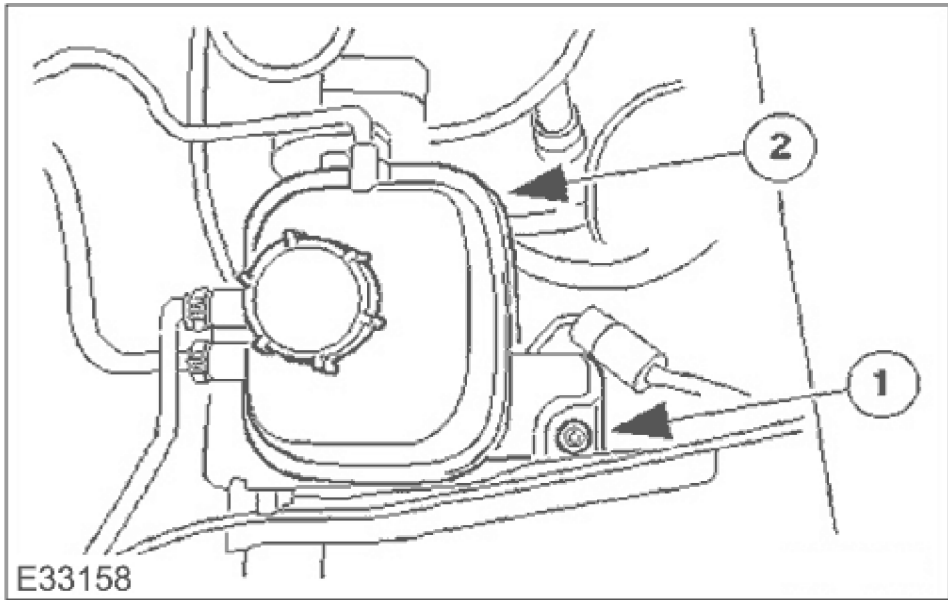
1. Select N gear position.
2. Open the engine compartment and fit paintwork protection sheets.



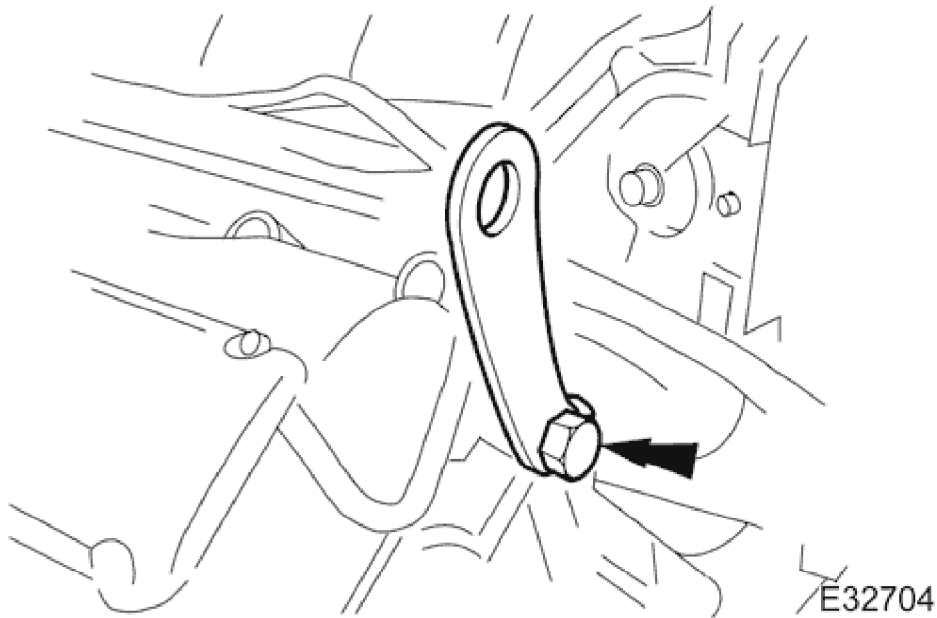
- 3. Disconnect battery ground cable.
  - Remove the battery cover.
  
- 4. Remove the engine covers (12.30.06).
  
- 5. Remove the air intake tube, MAFM and air cleaner cover assy, (19.10.30).



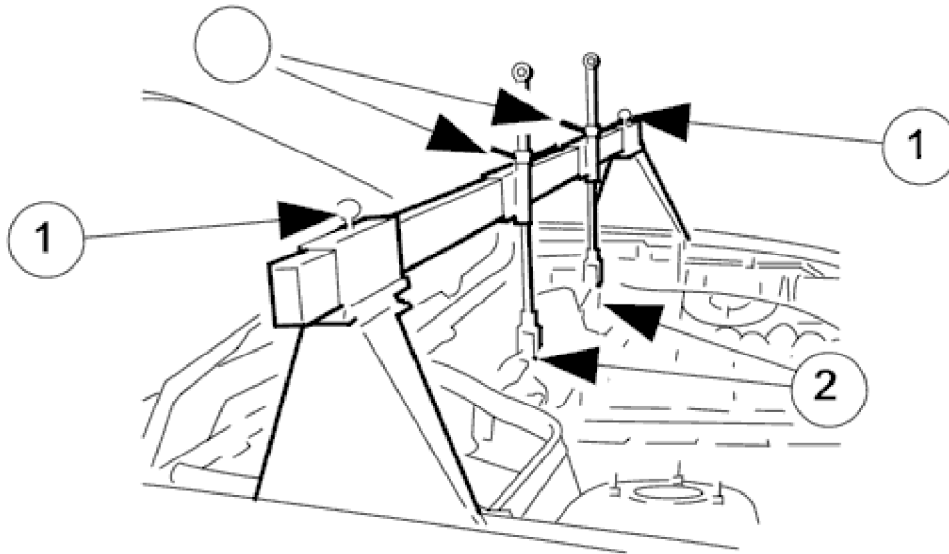
- 6. Install engine lifting bracket 303 - 536 at the rear RH.



7. Reposition the coolant header tank for access.  
1. Remove the securing bolt.  
2. Reposition the tank.

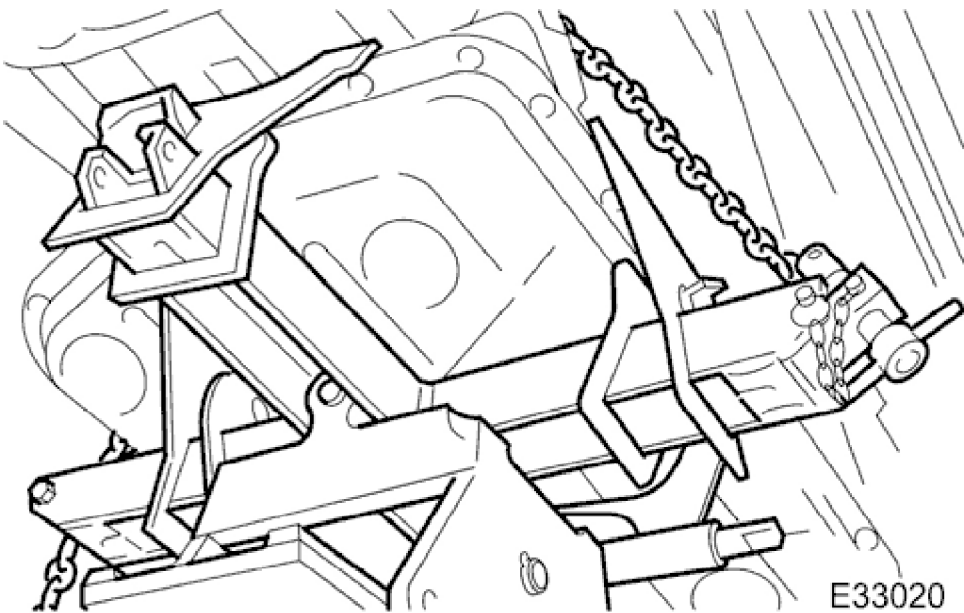


8. Install engine lifting bracket 303 - 536 at the rear LH.

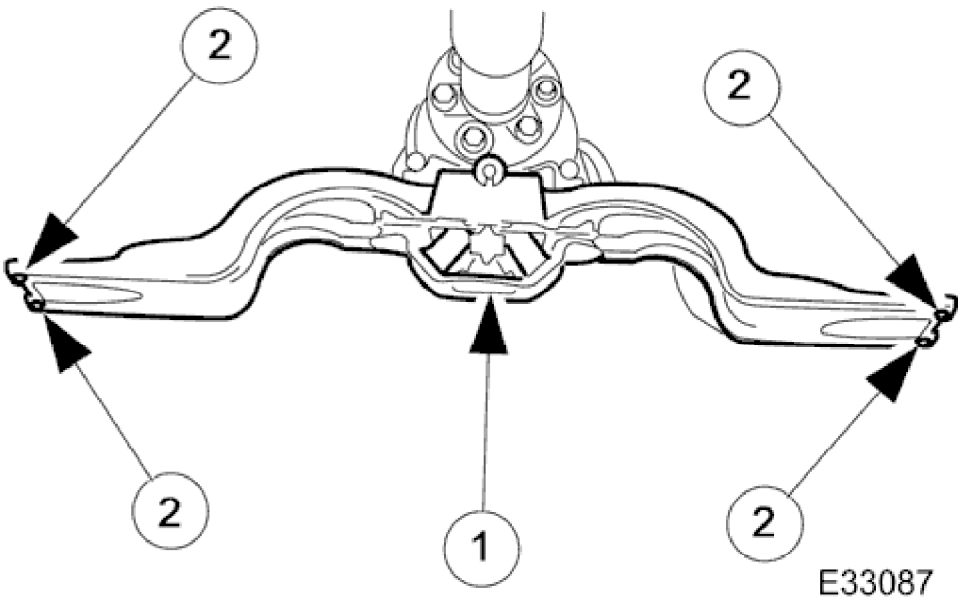


E32702

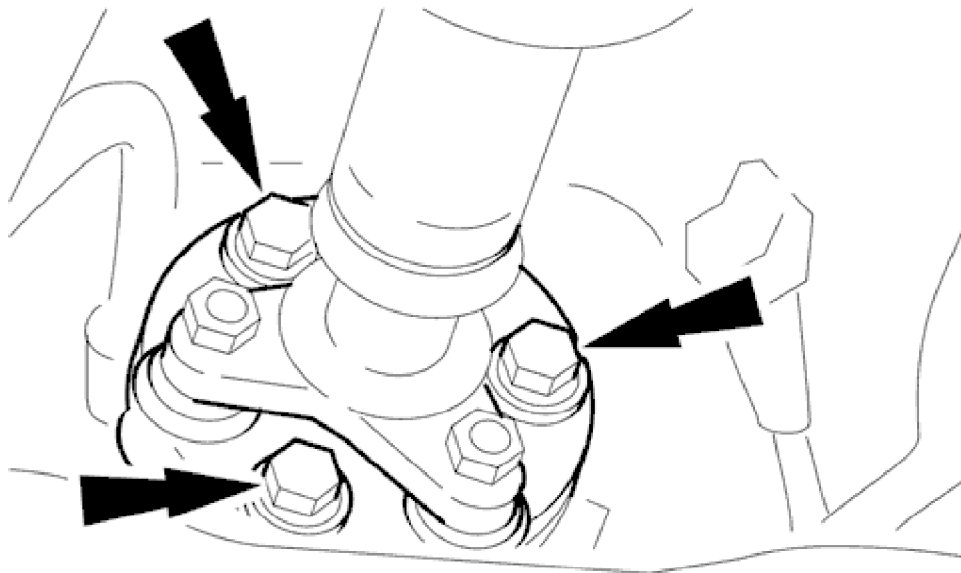
9. Support the engine using 303 - 021.
  1. Adjust and locate the stands in the LH and RH fender channels and tighten the beam fixings.
  2. Engage the support hooks in the lifting brackets.
  3. Tighten the support hook adjusters and take the weight of the engine.
  
10. Raise the vehicle for access.
  
11. Remove the LH downpipe catalytic converter (17.50.09).
  
12. Remove the front muffler (<<30.10.18>>).
  
13. Remove the RH downpipe catalytic converter (17.50.09 and 17.50.10).
  
14. Drain the transmission fluid, (<<44.24.02>>).



15. Locate a transmission jack, Epco V-100 or similar, under the transmission unit.
- Adjust the angle of the jack to suit the transmission.
  - Secure the side clamps.
  - Pass the safety chain over the transmission unit and secure.



16. Remove the engine rear mounting bracket.
1. Remove the engine rear mounting to bracket bolt.
  2. Remove the mounting bracket to body bolts.



E34217

17. Detach the driveshaft from the transmission drive flange.

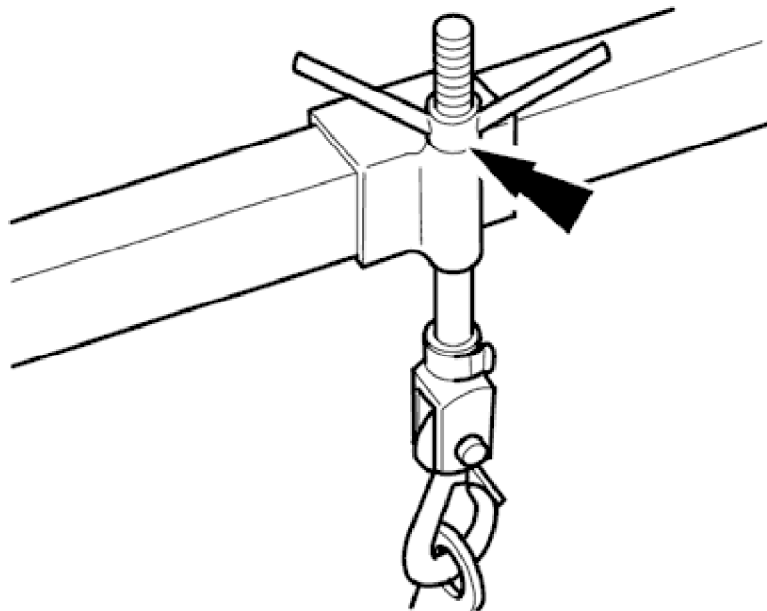
- If the transmission is to be refitted, mark the position of the coupling to drive flange.



**CAUTION:**

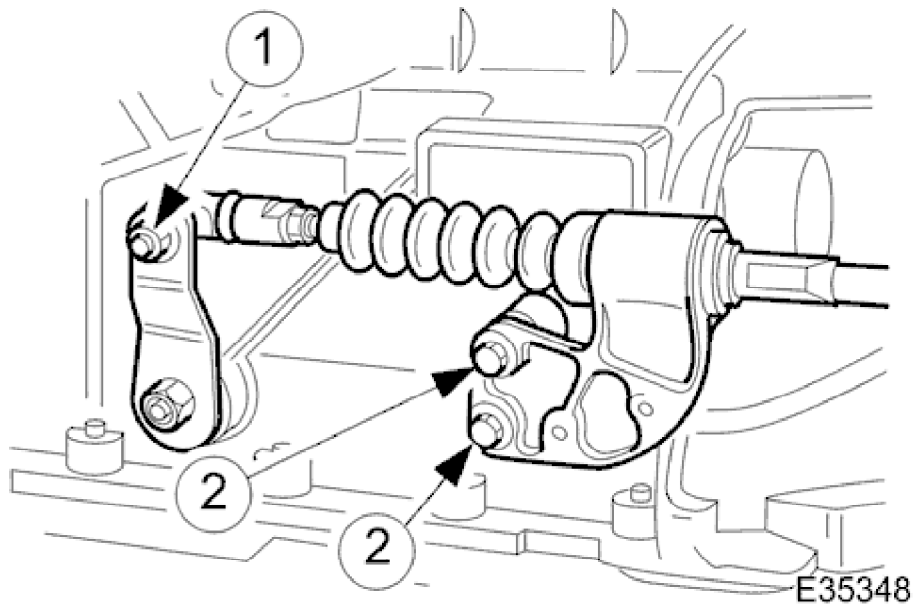
**Under no circumstances remove the driveshaft to flexible coupling fixings.**

- Remove the transmission drive flange to flexible coupling three fixings.

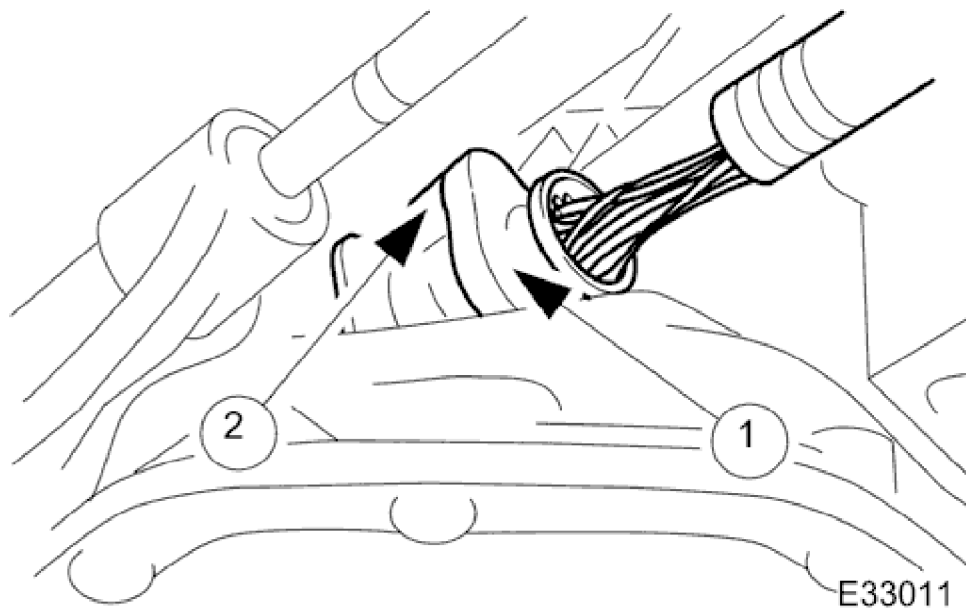


E32743

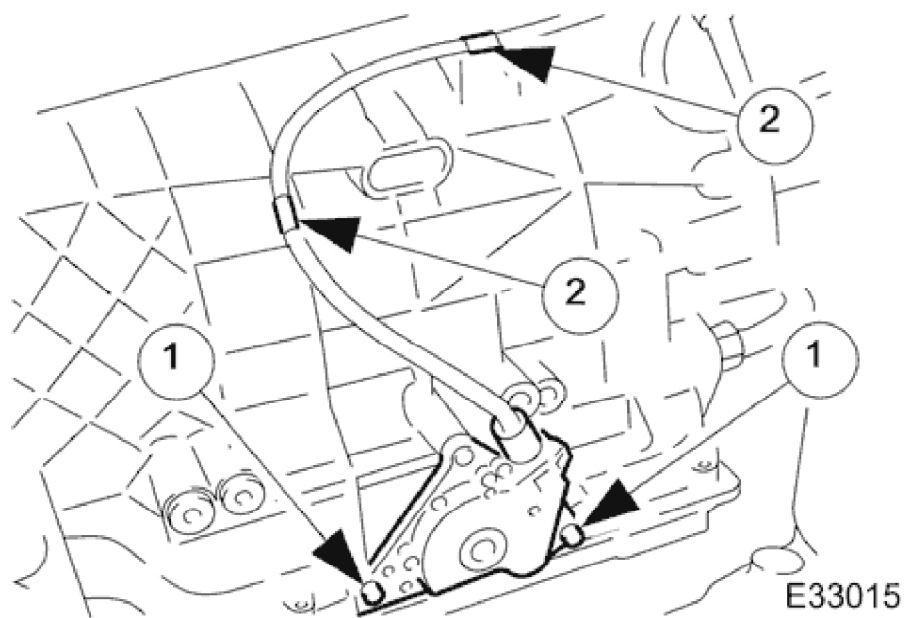
18. Lower the transmission unit by carefully releasing the engine support beam and by lowering the transmission jack.



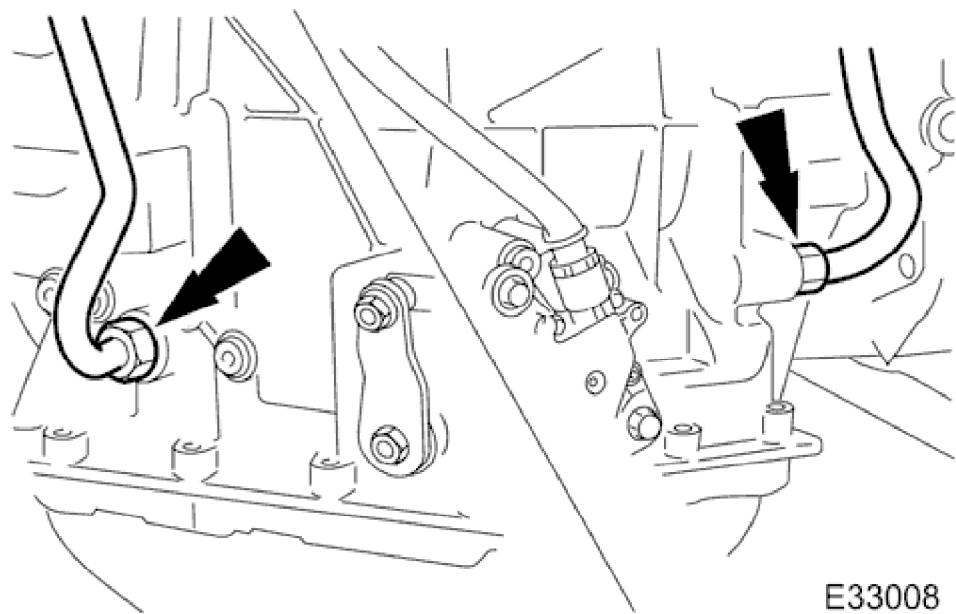
19. Detach the gear selector cable from the transmission unit.
1. Remove the selector cable ball pin to selector lever nut.
  2. Remove the selector cable to transmission casing bolts.



20. Disconnect the transmission harness multiplug.
1. Rotate the locking lever to release.
  2. Disconnect the multiplug.

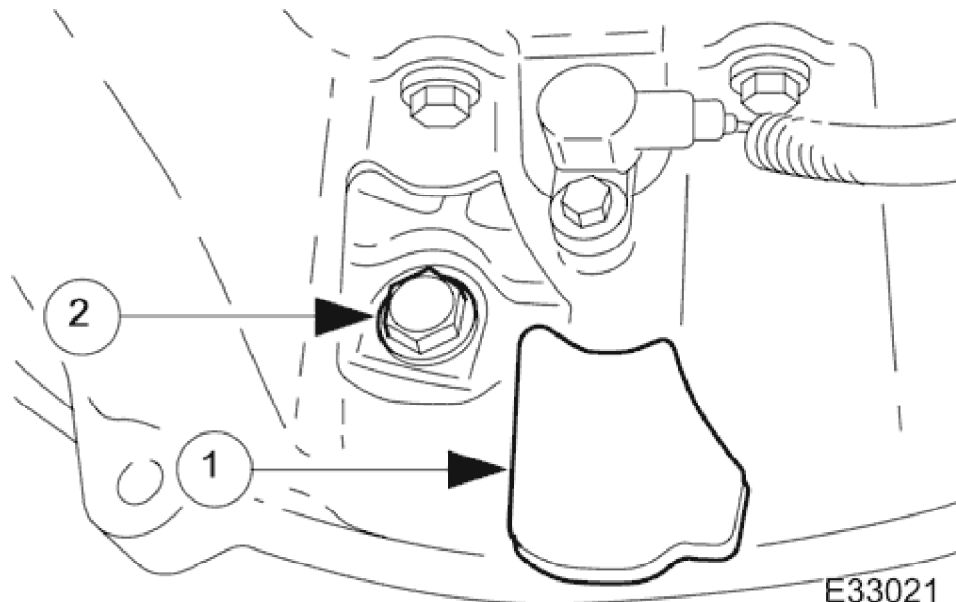


21. Detach the rotary switch.
- 1. Remove the switch fixings.
  - 2. Displace the switch harness from the clips.



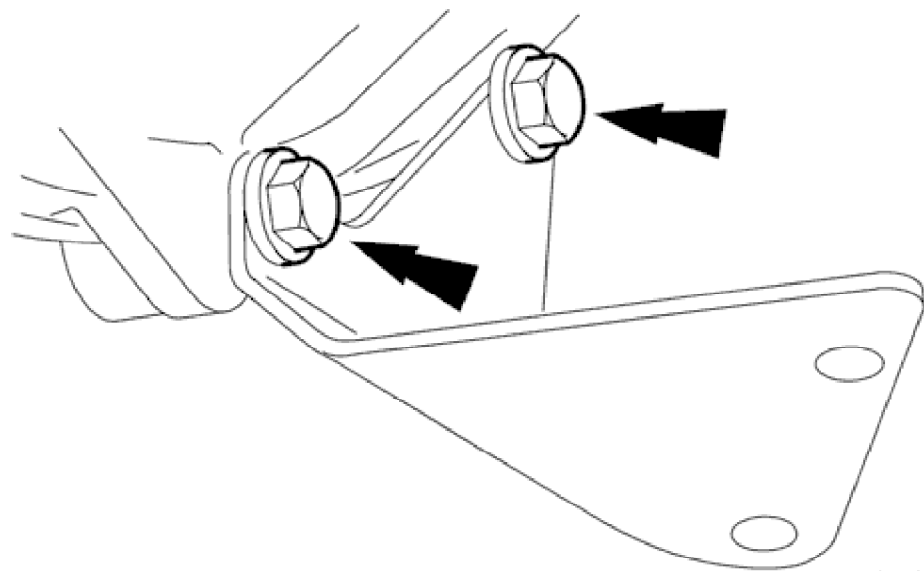
22. Disconnect the fluid cooler pipes.
- Unscrew the cooler pipe tube nuts, one at each side of the transmission casing.
  - Discard the 'O' rings.
  - Plug the pipes and transmission.





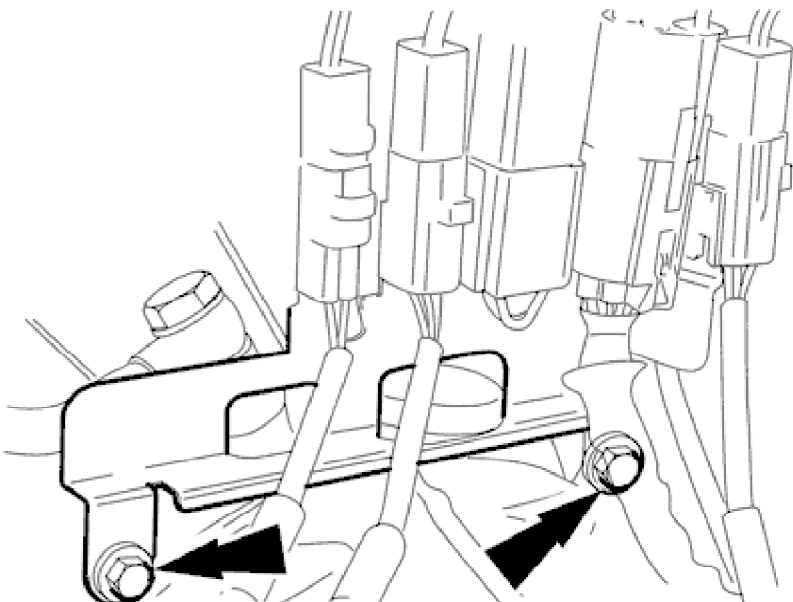
E33021

23. Remove the three bolts which secure the torque converter to the drive plate.
- 1. Remove the access cover.
  - 2. Rotate the crankshaft and hold to prevent movement, and remove the bolts.



E33093

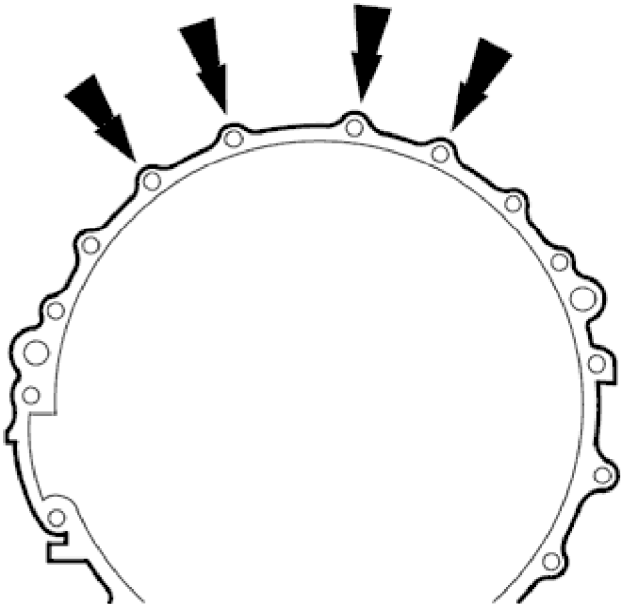
24. Remove the LH and RH catalyst mounting brackets from the transmission case.
- Remove the bolts.



E34215

25. Remove the bolts which secure the engine harness connector mounting bracket and move the bracket aside for access.

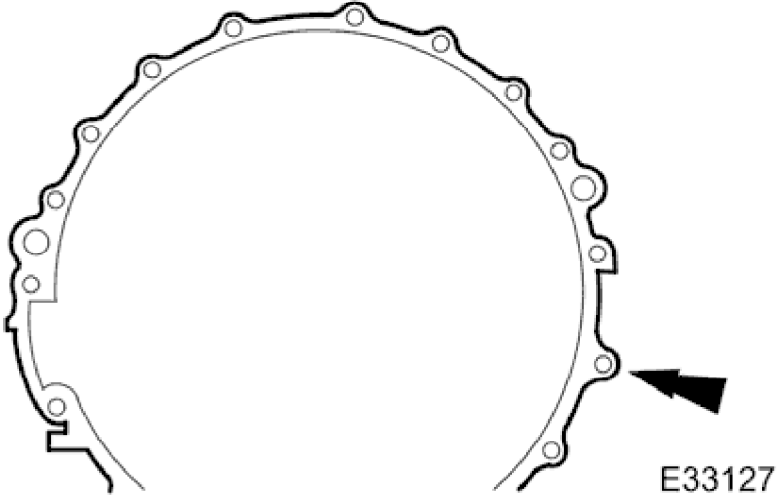
26. On the RH side, clear the cooler pipe for access.



E33126

27. **NOTE:**  
Viewed from the rear of the vehicle.

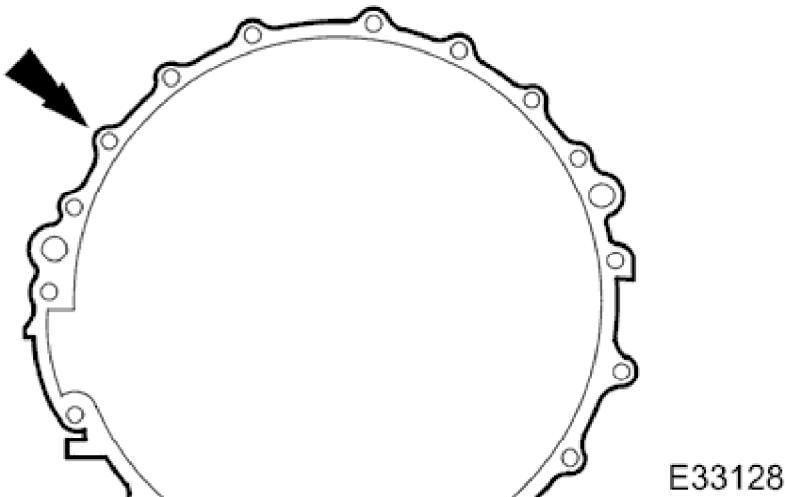
Remove the four upper transmission to engine bolts.



28. **NOTE:**  
Viewed from the rear of the vehicle.

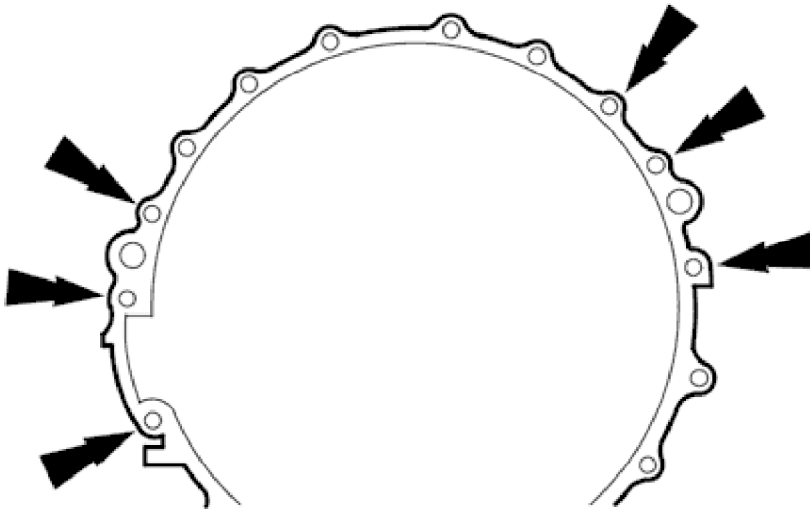
Remove the ground lead bolt.

29. On the LH side.



30. **NOTE:**  
Viewed from the rear of the vehicle.

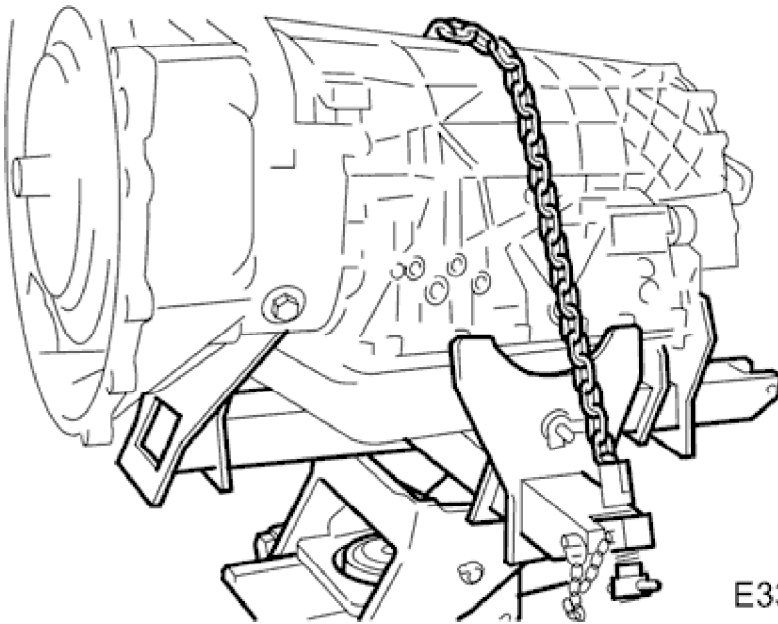
Remove the upper cooler pipe clip to transmission case bolt.



E33129

31. **NOTE:**  
Viewed from the rear of the vehicle.

Remove the six remaining transmission case to cylinder block bolts.



E33019

32. **NOTE:**  
Do not allow the converter to detach from the transmission.

Remove the transmission / converter assembly from the vehicle.

- Lower the transmission jack and remove the transmission, ensuring that the torque converter spigot disengages cleanly from the engine.

33. If appropriate, fit retaining straps to the converter / transmission assembly.