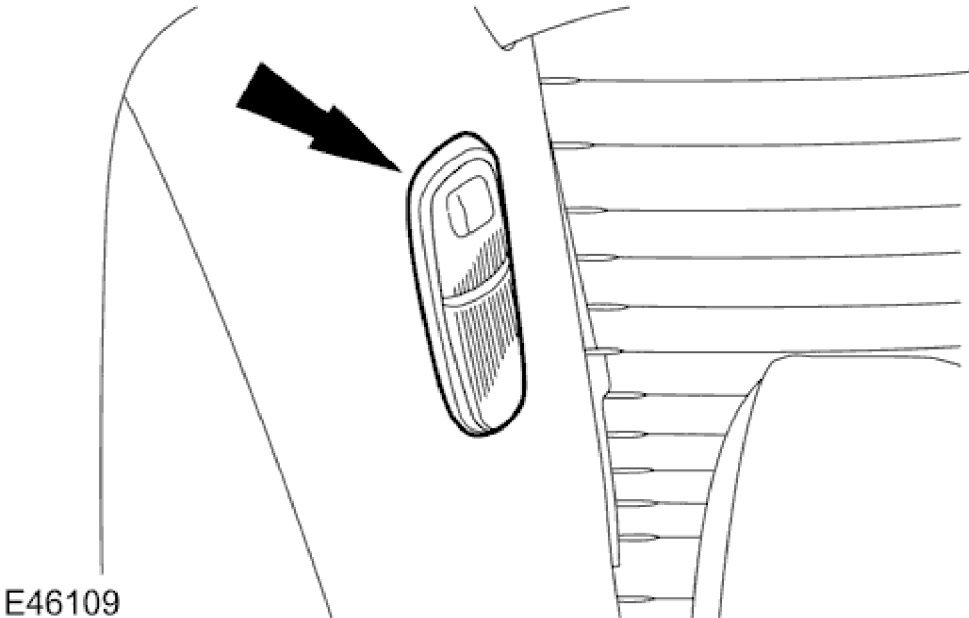


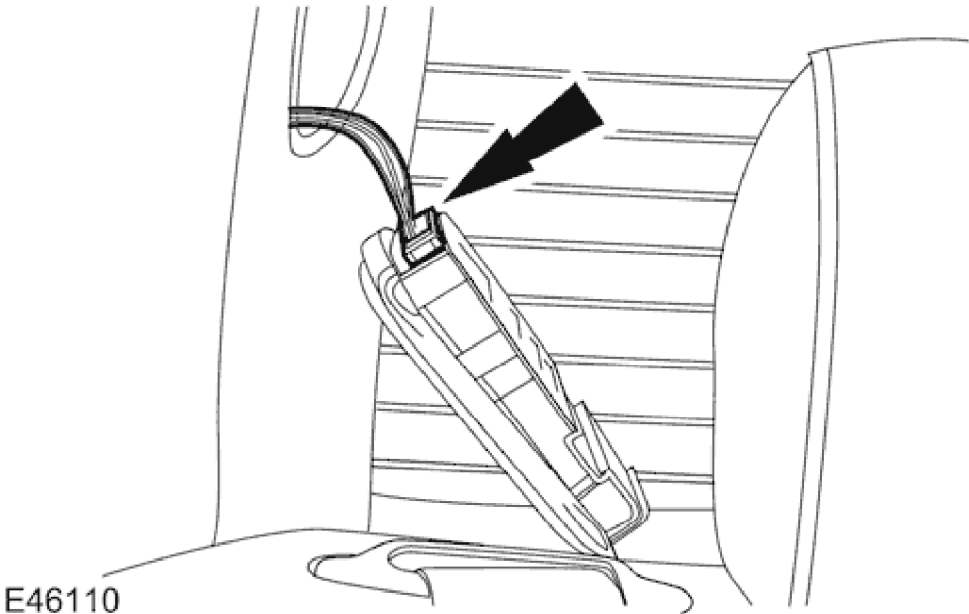
**C-Pillar Trim Panel 76.13.73**

**Removal**

- 1. Remove the passenger assist handle. <<Passenger Assist Handle>>



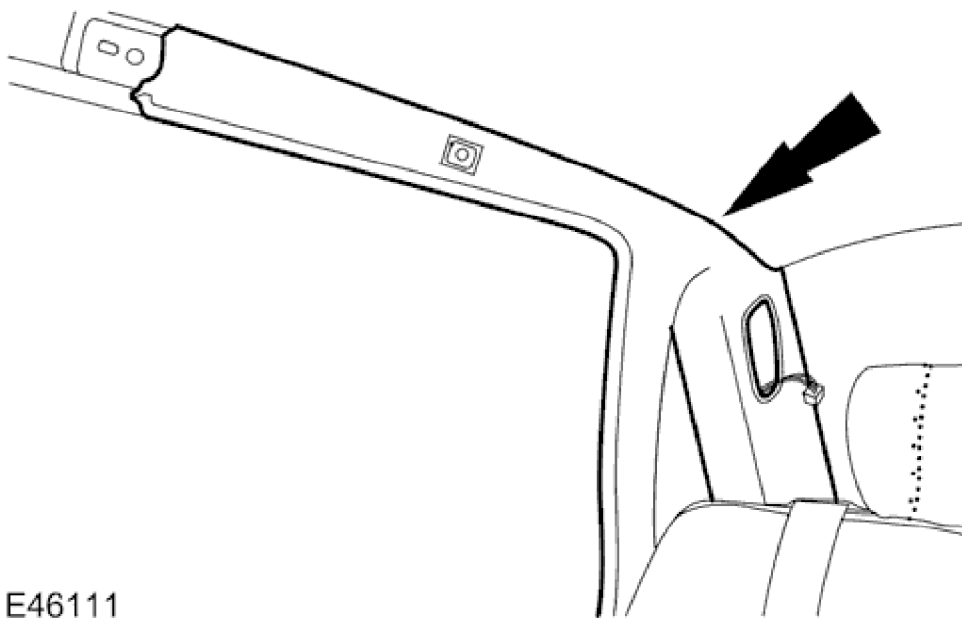
- 2. Detach the rear courtesy/reading light.



- 3. Remove the rear courtesy/reading light.
  - Disconnect the electrical connector.

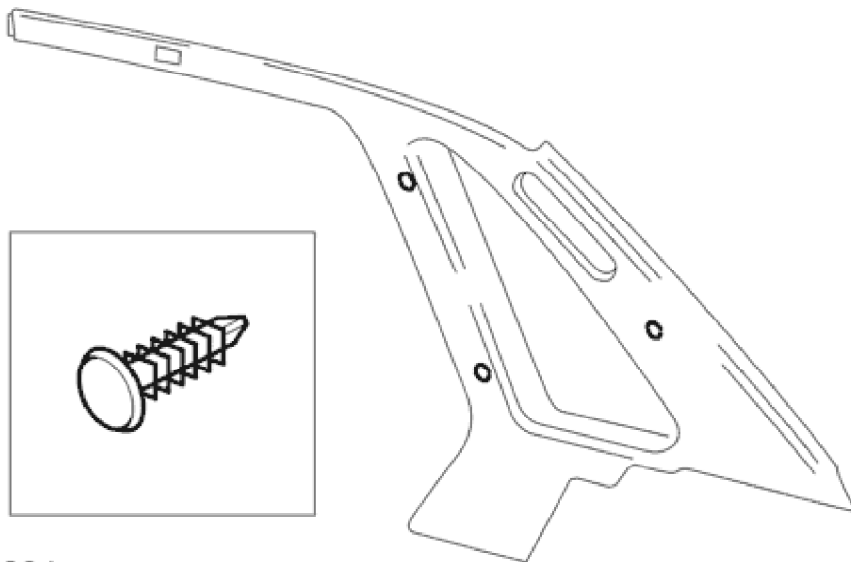
# 1998 XJ RANGE - Interior Trim and Ornamentation - 501-05

4. Detach the door aperture weatherstrip.



E46111

5. Detach the C-pillar trim panel fir tree fasteners from the BIW.

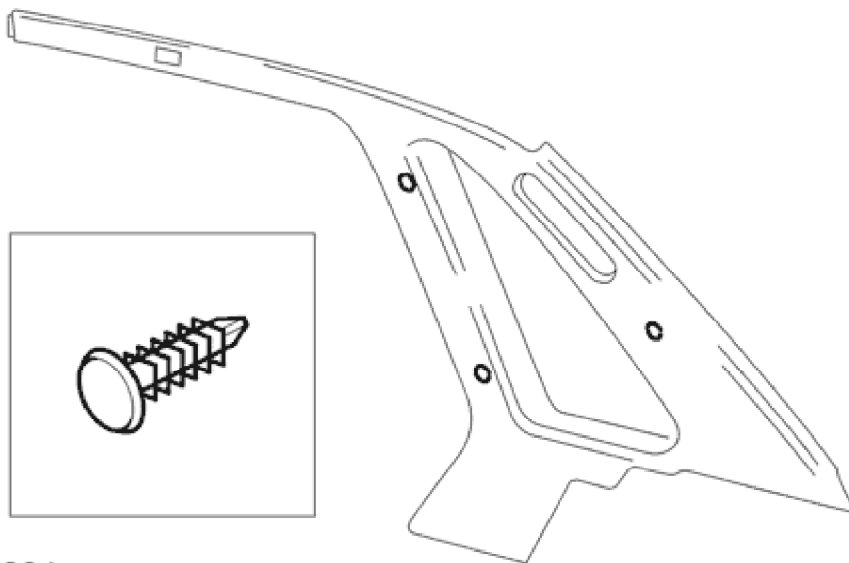


E36224

6. Remove the C-pillar trim panel and discard the fir tree fasteners.

## Installation

**1998 XJ RANGE - Interior Trim and Ornamentation - 501-05**



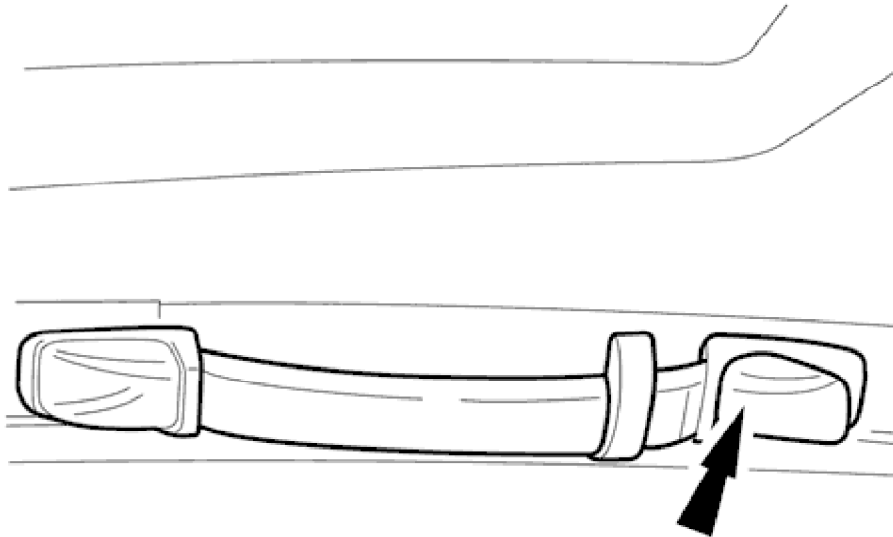
E36224

- 1. To install, reverse the removal procedure.
  - Fit new fir tree fasteners to the C-pillar trim panel.

# 1998 XJ RANGE - Interior Trim and Ornamentation - 501-05

## Passenger Assist Handle 76.58.30

### Removal



E36225

1. Using a piece of wood or similarly soft material, press inner end of each screw cover to release outer clip.
2. Remove screw covers, slacken and remove securing screws and remove grab handle from cantrail.

### Installation

1. Position grab handle and coat hanger hook at cantrail
2. Ensuring that cantrail trim pads are correctly aligned, fit and tighten the grab handle securing screws.
3. Slide each screw cover inner end foremost, onto end of grab handle and press outer end to engage clip.