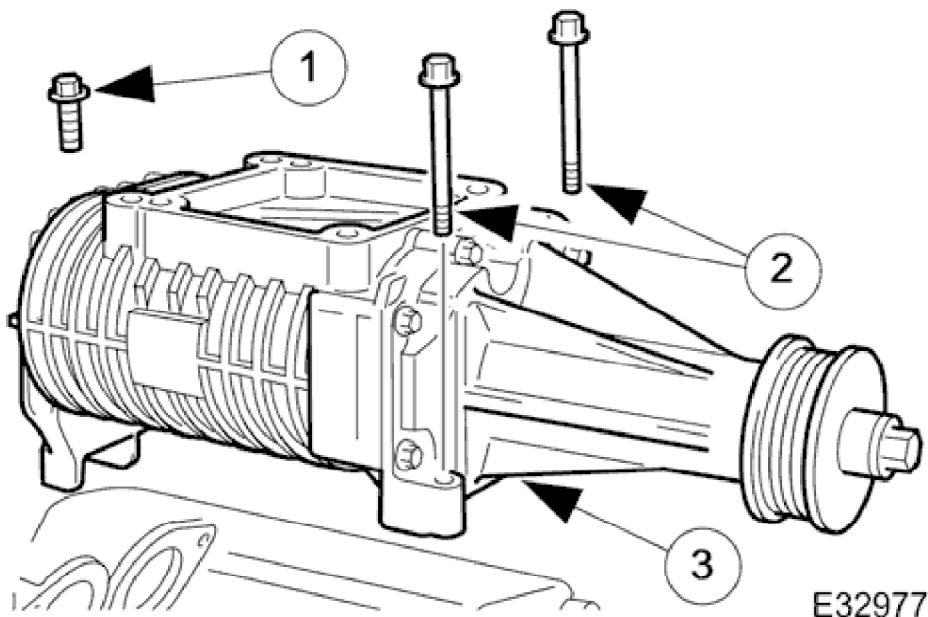


## Supercharger 18.50.15

### Removal

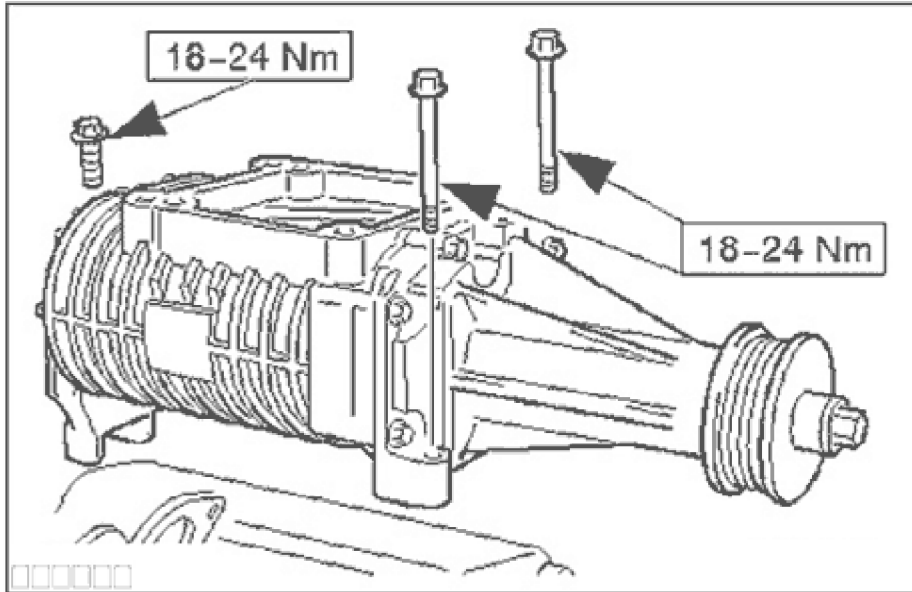
1. Disconnect battery ground cable (IMPORTANT, see SRO <<86.15.19>> for further information).
2. Drain radiator coolant; refer to 26.10.01.
3. Remove air cleaner cover / intake assembly; refer to 19.10.30.
4. Remove throttle body; refer to <<19.70.04>>.
5. Remove exhaust gas re-circulation valve (EGR) if installed; refer to <<17.45.01>>.
6. Remove throttle intake elbow; refer to (SC) <<19.70.28>>.
7. Remove supercharger outlet duct; refer to <<18.50.16>>.
8. Remove coolant outlet pipe; refer to operation (SC) <<26.31.08>>.
9. Remove supercharger drive belt; refer to <<18.50.08>>.
10. Disconnect remaining coolant hoses from charge air coolers.
  - Position pipes to facilitate removal of supercharger.
  - Install suitable blanking plugs.



## 1998 XJ RANGE - Intake Air Distribution and Filtering - 303-12

11. Remove supercharger from engine.
  1. Remove bolt.
  2. Remove bolts .
  3. Remove supercharger.

### Installation



1. Install supercharger.
2. Connect all hoses to charge air coolers.
3. Install supercharger drive belt; refer to <<18.50.08>>.
4. Install engine coolant outlet pipe; refer to <<26.31.08>>.
5. Install supercharger outlet duct and new gasket; refer to <<18.50.16>>.
6. Install throttle intake elbow; refer to <<19.70.28>>.
7. Install exhaust gas re-circulation valve (EGR) if applicable; refer to <<17.45.01>>.
8. Install throttle body; refer to <<19.70.04>>.
9. Install air cleaner cover / intake assembly; refer to 19.10.30.
10. Refill cooling system; refer to (SC) (26.10.01).