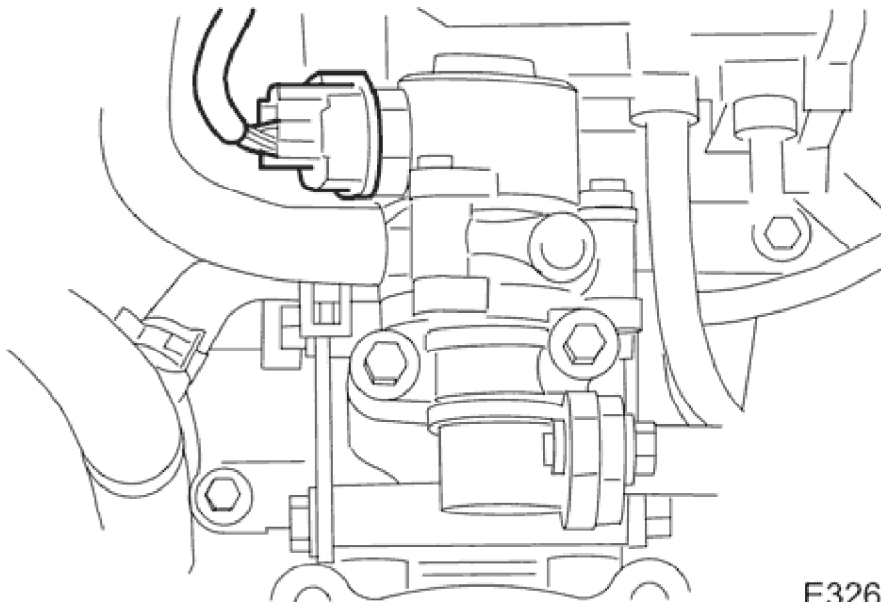


1998 XJ RANGE - Engine Emission Control - 303-08

Exhaust Gas Recirculation (EGR) Valve 17.45.01

Removal

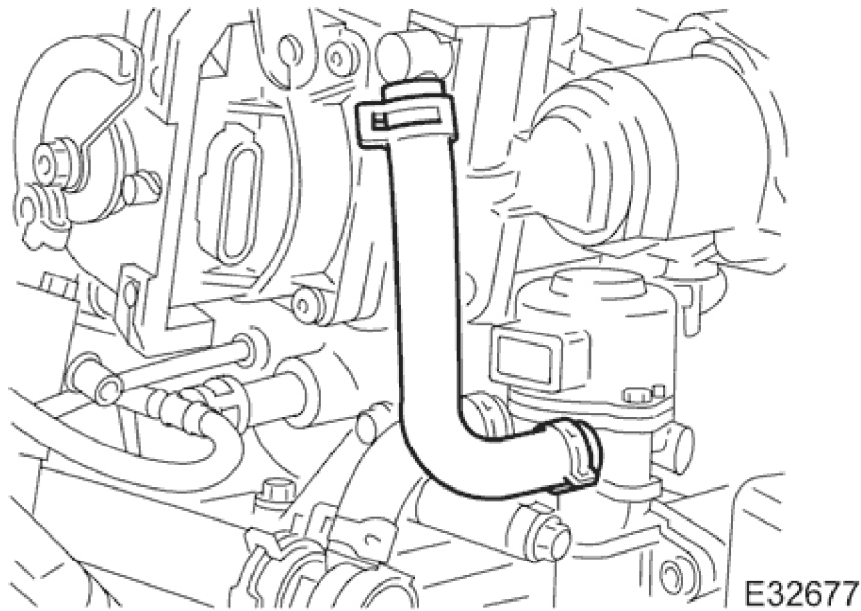
1. Open the engine compartment and fit paintwork protection sheets.
2. Disconnect the battery.
 - Remove the battery cover.
 - Disconnect the battery ground cable.
3. Remove the air cleaner cover / intake assembly. Refer to the procedure in operation <<19.10.05>>.



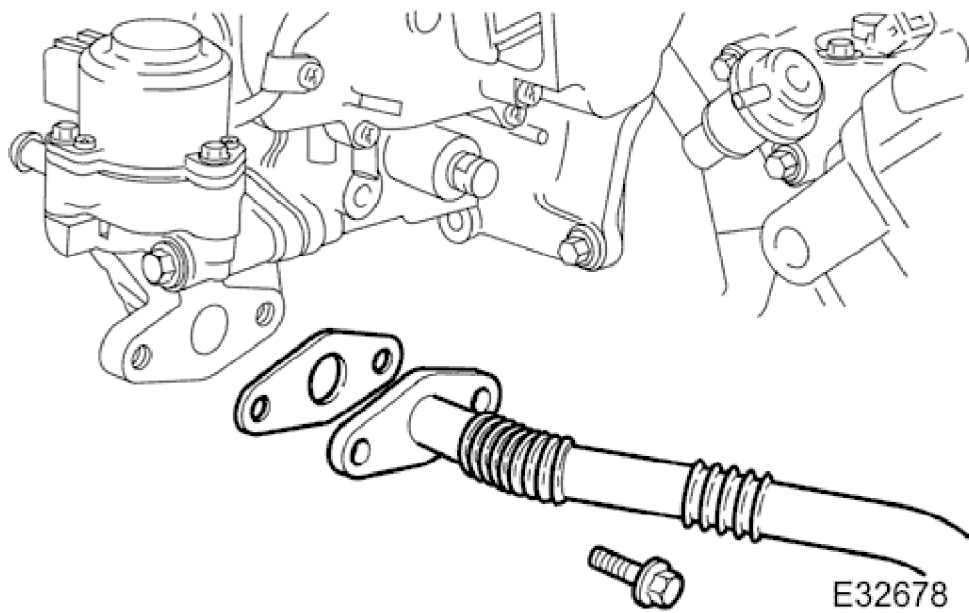
E32684

4. Disconnect the EGR valve connector.
5. Place a coolant drain receptacle under the vehicle

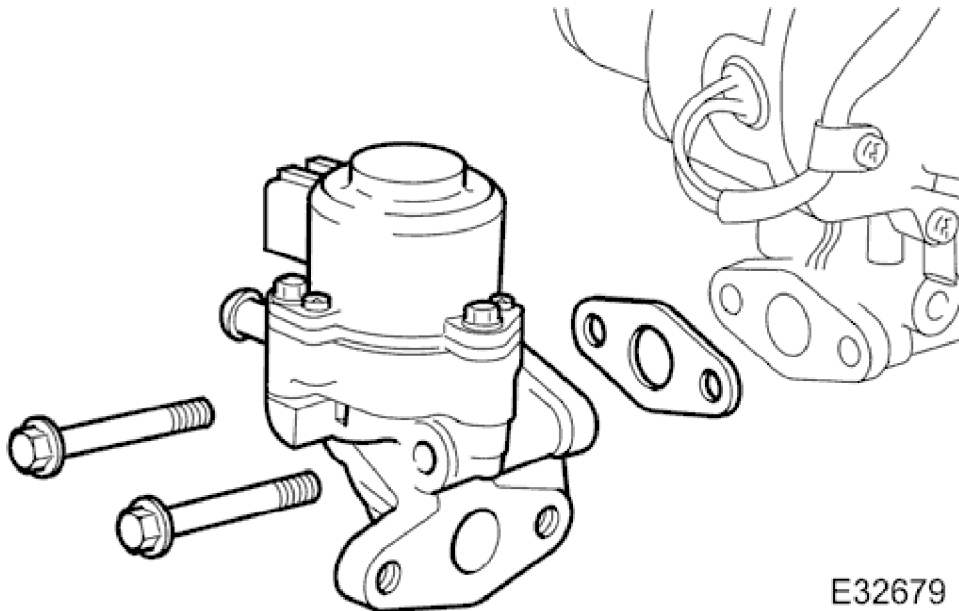
1998 XJ RANGE - Engine Emission Control - 303-08



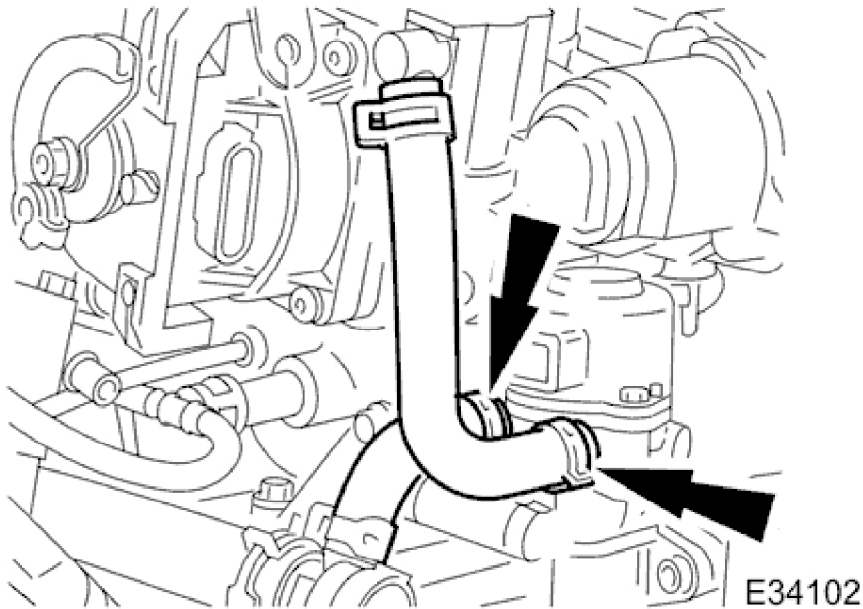
6. Clamp the EGR coolant hose and disconnect from the throttle body. Plug the hose and stub pipe.



7. Remove the two bolts securing the transfer pipe to the EGR valve.



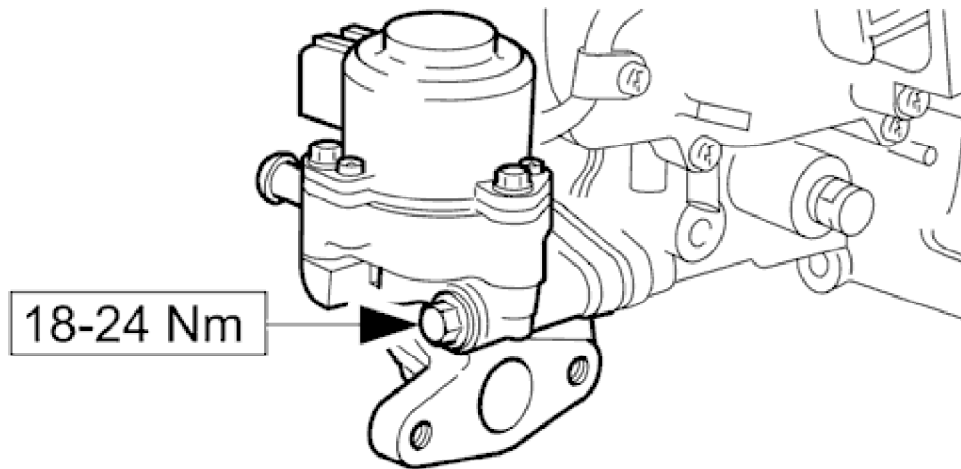
8. Remove the two bolts securing the EGR valve to the induction elbow.
- Reposition the valve to gain access to the coolant return hose clip



9. Undo the two hoses at the EGR valve and pull the valve clear.

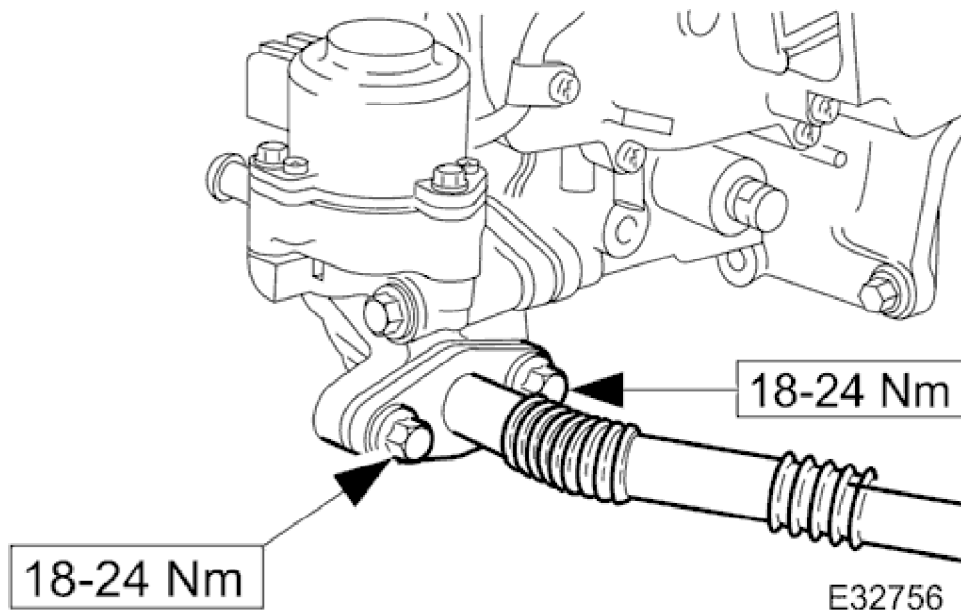
Installation

1. Fitting a new EGR valve assembly is the reverse of the removal procedure, ensuring that new seals are used.



E32757

2. Fit the EGR valve to the induction elbow and tighten the two bolts.
3. Connect the coolant hoses.



E32756

4. Connect the transfer pipe to the EGR valve and tighten the two bolts.
5. Correct the coolant level as required.
6. Reconnect the battery. Refer to the battery reconnection procedure in <<86.15.15>>.
7. Remove the paintwork protection sheets and close the engine cover.