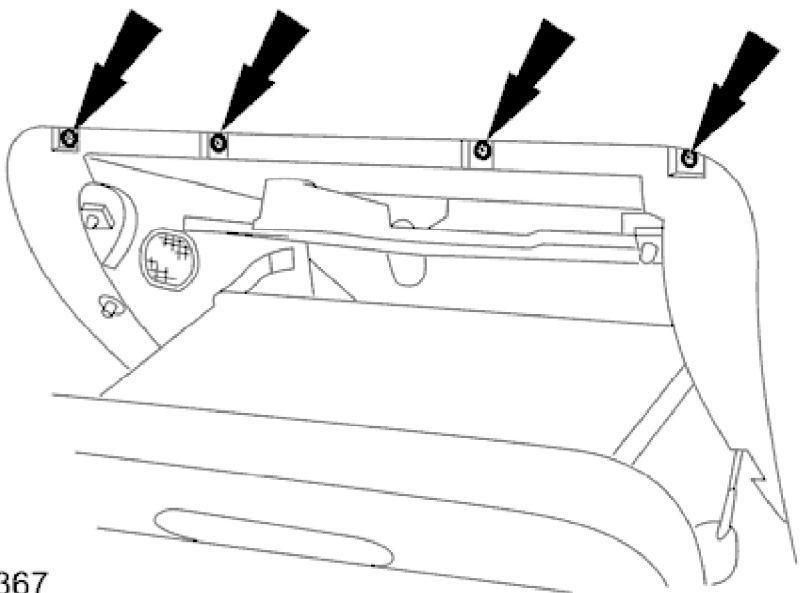


Glove Compartment 76.52.03

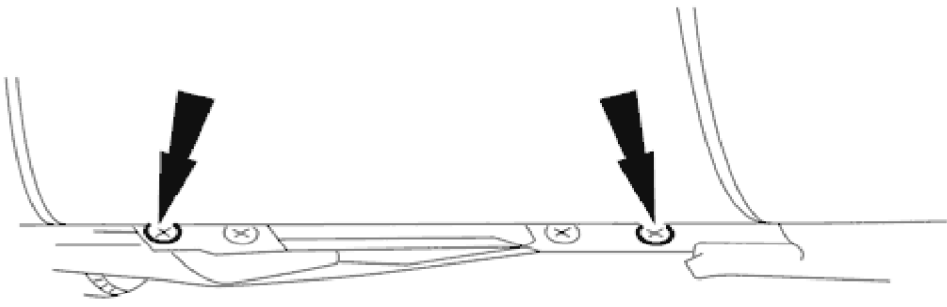
Removal

- 1. Open glovebox.



E36367

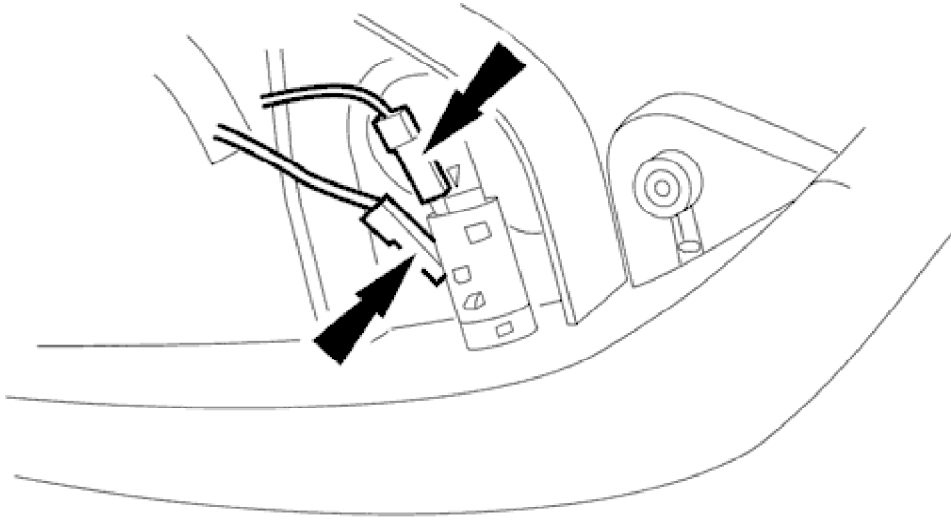
- 2. Supporting the glovebox, slacken and remove the four top securing screws.



E36368

- 3. Slacken and remove the two glovebox lower outer securing screws.

2001 XJ RANGE - Instrument Panel and Console - 501-12



E36369

4. Withdraw glovebox for access and disconnect the two illumination harness connectors.
5. Remove glovebox from vehicle.

Installation

1. Position glovebox for access and connect illumination harness.
2. Position and fully seat glovebox.
3. Fit but do not tighten the lower securing screws.
4. Fit and fully tighten the upper securing screws.
5. Close glovebox lid.
6. Fully tighten the lower securing screws.