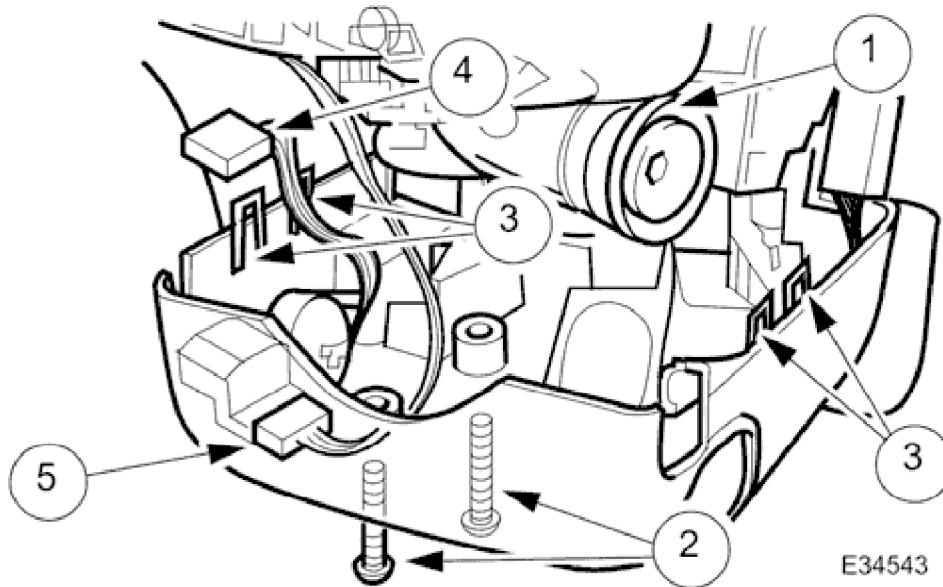


Steering Column Lower Shroud 76.46.03

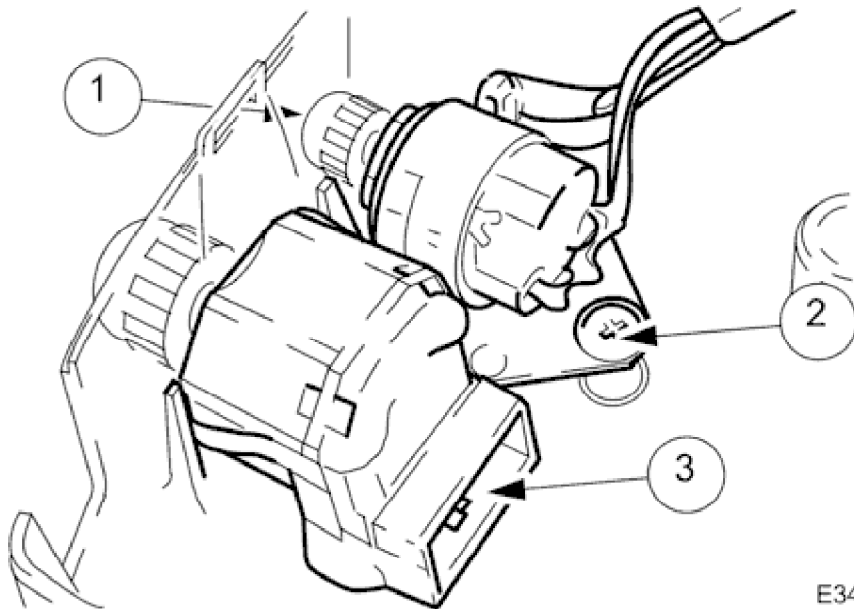
Removal

1. Move driver seat fully rearward.
2. Remove battery cover and disconnect ground cable from battery terminal. Refer to <<86.15.19>>.



3. Remove cowl from steering column.
 1. Remove key from ignition switch.
 2. Slacken and remove cowl securing screws.
 3. Separate lower cowl from upper cowl (four tabs) and move lower cowl forward to access multiplugs.
 4. Disconnect rheostat harness multiplug.
 5. Disconnect tilt column harness multiplug.

1998 XJ RANGE - Instrument Panel and Console - 501-12



E34539

4. Remove rheostat and column adjustment switch from cowl.
 1. Remove adjusting knob from rheostat.
 2. Slacken and remove rheostat securing screw.
 3. Release column adjustment switch retaining tangs and remove switch from cowl.

Installation

1. Fit and fully seat column adjustment switch in cowl.
2. Position and align rheostat and fit and tighten securing screws.
3. Fit and fully seat rheostat adjusting knob.
4. Position cowl for access and connect rheostat and column switch harness multiplugs.
5. Finally position lower cowl locating four retaining tabs and fit and tighten securing screws.
6. Fit key to ignition switch.
7. Connect ground cable to battery terminal and fit battery cover. Refer <<86.15.15>>.
8. Return driver seat to original position.