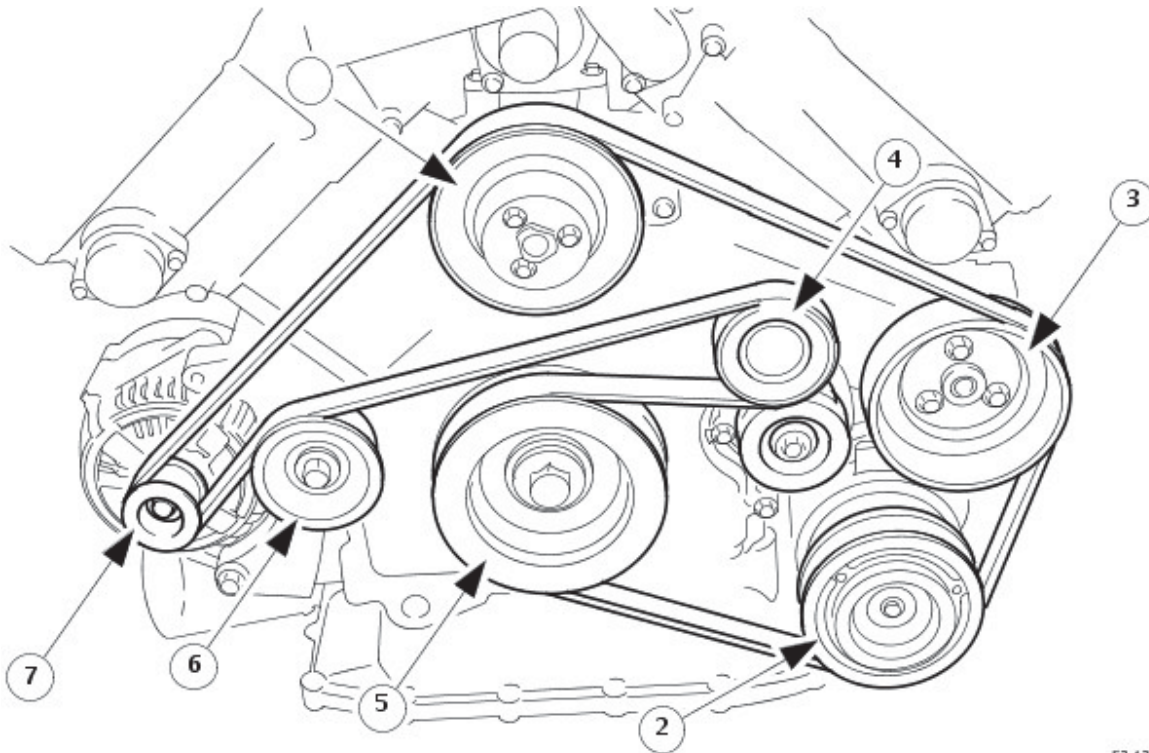


## Accessory Drive - Accessory Drive

Description and Operation



E34353

### Parts List

Item	Part Number	Description
1	—	Coolant Pump Drive
2	—	Air-Conditioning Compressor Drive
3	—	Power Steering Pump Drive
4	—	Automatic Belt Tensioner
5	—	Crankshaft Pulley
6	—	Idler Pulley
7	—	Generator Drive

### Crankshaft Pulley

The combined crankshaft pulley and torsional vibration damper drives a single, seven ribbed vee belt. The belt drives all of the engine-mounted accessories; the generator, the power assisted steering pump, the air-conditioning compressor and the coolant water pump.

### Idler Pulley

An idler pulley, on the right-hand accessory mounting, increases the wrap-angle around the generator pulley.

### Coolant Pump Drive

The coolant pump pulley is the uppermost of the accessory drive pulleys. The coolant pump is fitted between the two cylinder banks on the front face of the engine.

### Air Conditioning Compressor Drive

This is positioned at the lowest point of the front-end accessory-drive on the left hand side accessory mounting.