

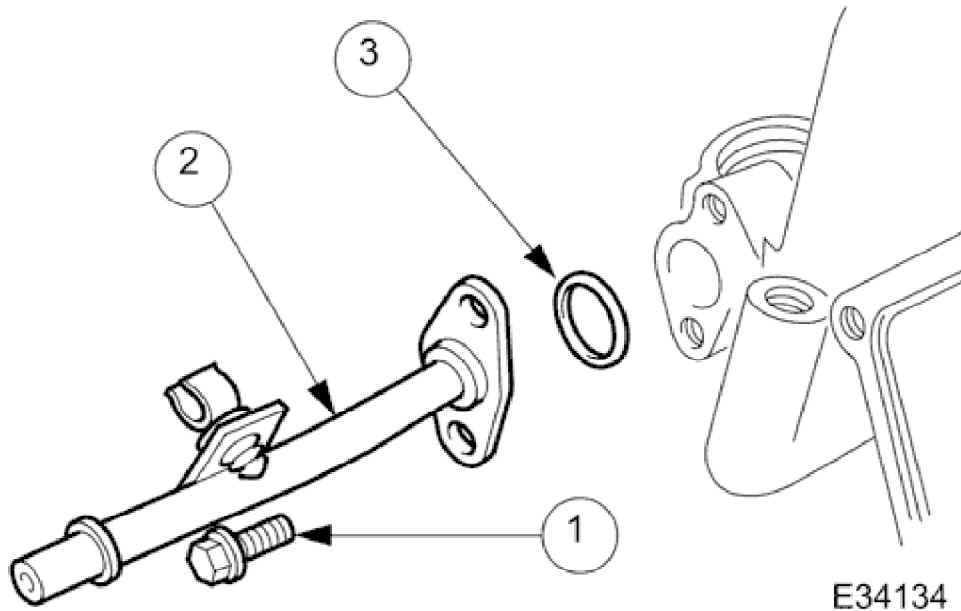
1998 XJ RANGE - Fuel Charging and Controls - 303-04

Note - this section has instructions for Fuel Rails Removal and installation

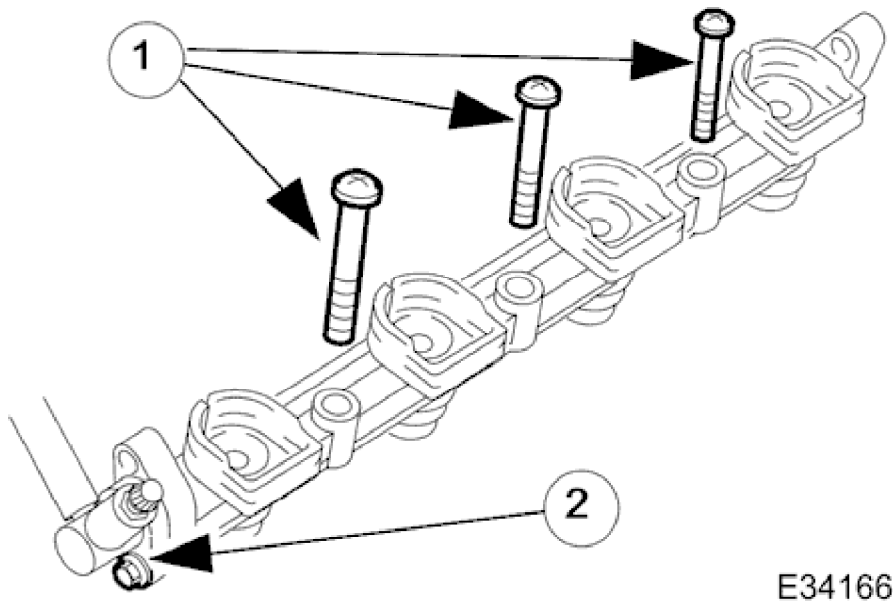
Fuel Injection Supply Manifold LH 19.60.05 and RH 19.60.06 - same instructions

Removal

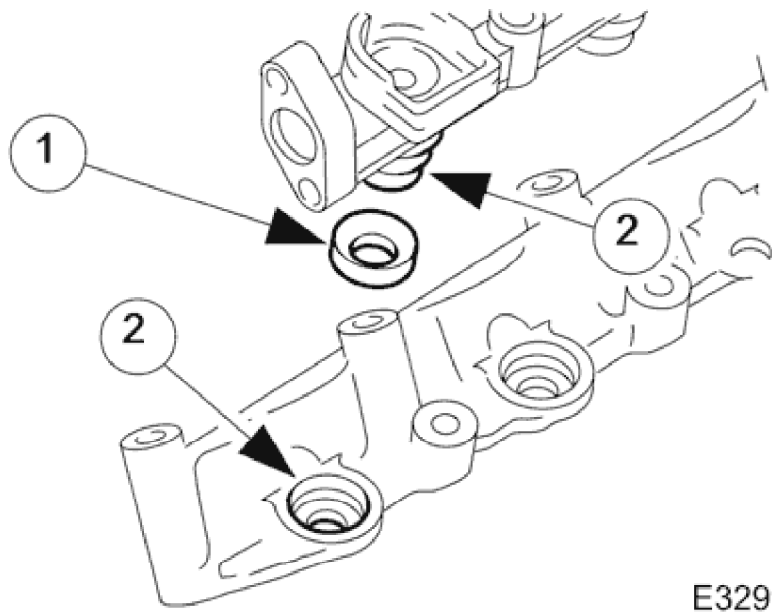
1. Remove fuel injectors; refer to (SC) <<18.10.01>>.



2. Disconnect fuel feed pipe from fuel rail.
 1. Remove two bolts.
 2. Reposition fuel feed pipe.
 3. Discard O-ring.



3. Remove fuel rail from charge air cooler adaptor.
 1. Remove three bolts.
 2. Reposition fuel rail and remove cross-over pipe securing bolt.
 - Discard O-ring from fuel cross-over pipe.
 - Remove fuel rail.

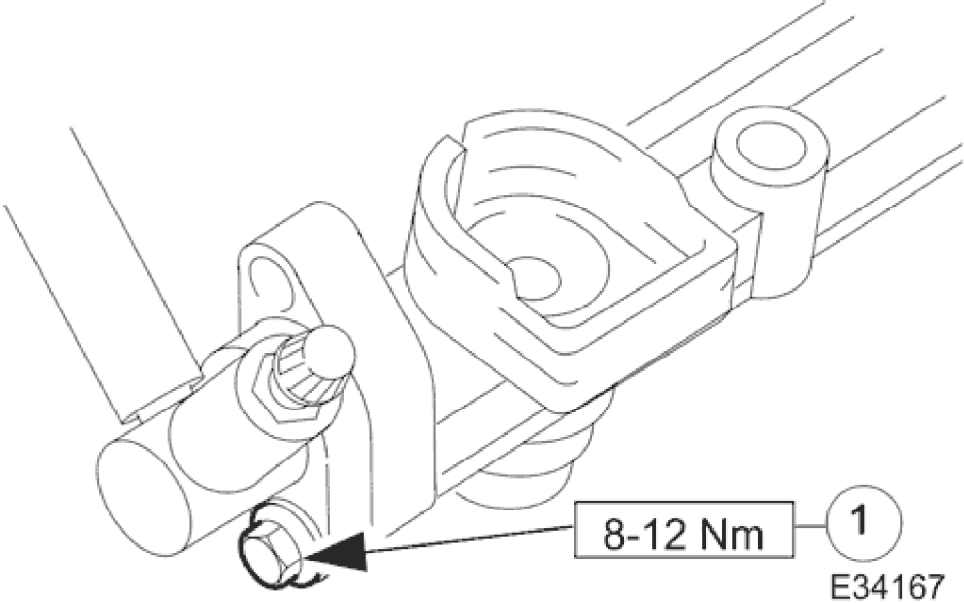


E32990

- 4. Remove seals between fuel rail and charge air cooler adaptor.
 - 1. Discard seals.
 - 2. Clean and inspect mating faces.

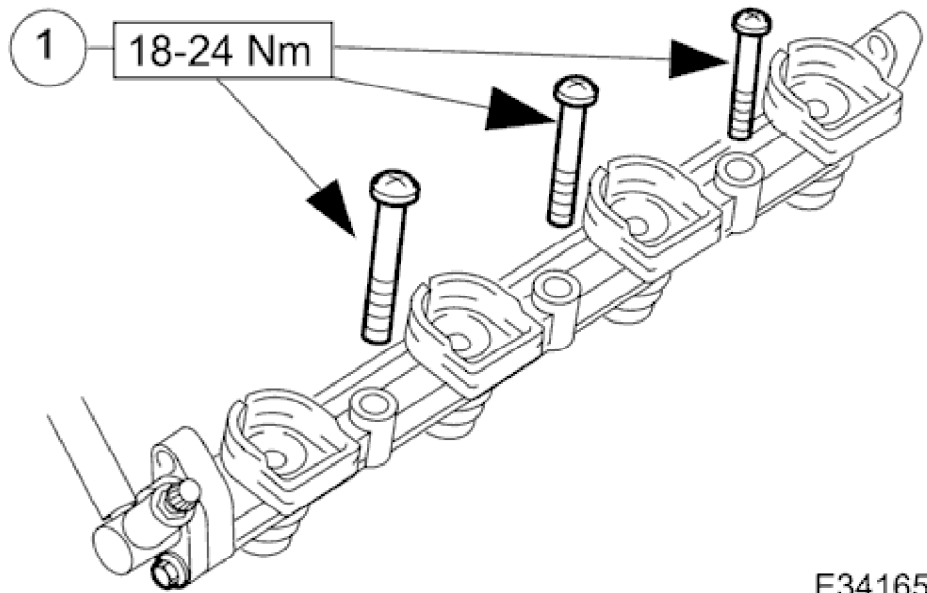
Installation

- 1. Install new seals between fuel rail and charge air cooler adaptor ensuring that they are fully seated.



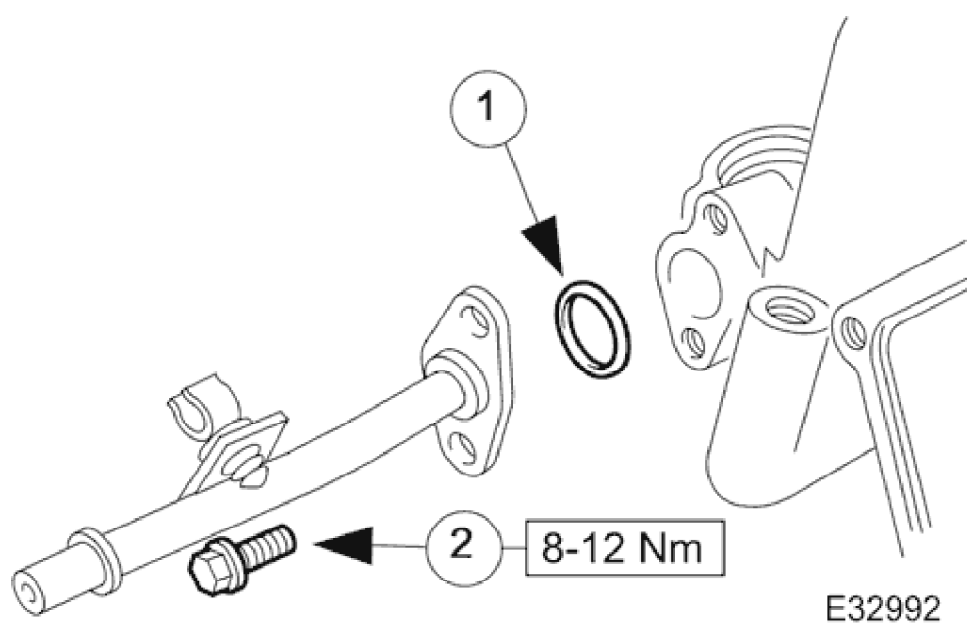
- 2. Install fuel rail to fuel cross-over pipe.
 - Install new O-ring and lubricate with petroleum jelly.
 - 1. Install bolt.

1998 XJ RANGE - Fuel Charging and Controls - 303-04



E34165

- 3. Install fuel rail to charge air cooler adaptor.
 - Locate fuel rail into adaptor.
 - 1. Install bolts.



E32992

- 4. Connect fuel feed pipe to fuel rail.
 - 1. Install new O-ring and lubricate with petroleum jelly.
 - 2. Install two bolts.

- 5. Install fuel injectors; refer to (SC) <<18.10.01>>.