

The New Jaguar EPC



Price Admin Advanced Search Dealer Notes View PIB View My Customers Contact Us Help Thesaurus Log Out

0 Item(s)
Subtotal : \$0

Search

Go

or

VIN Search

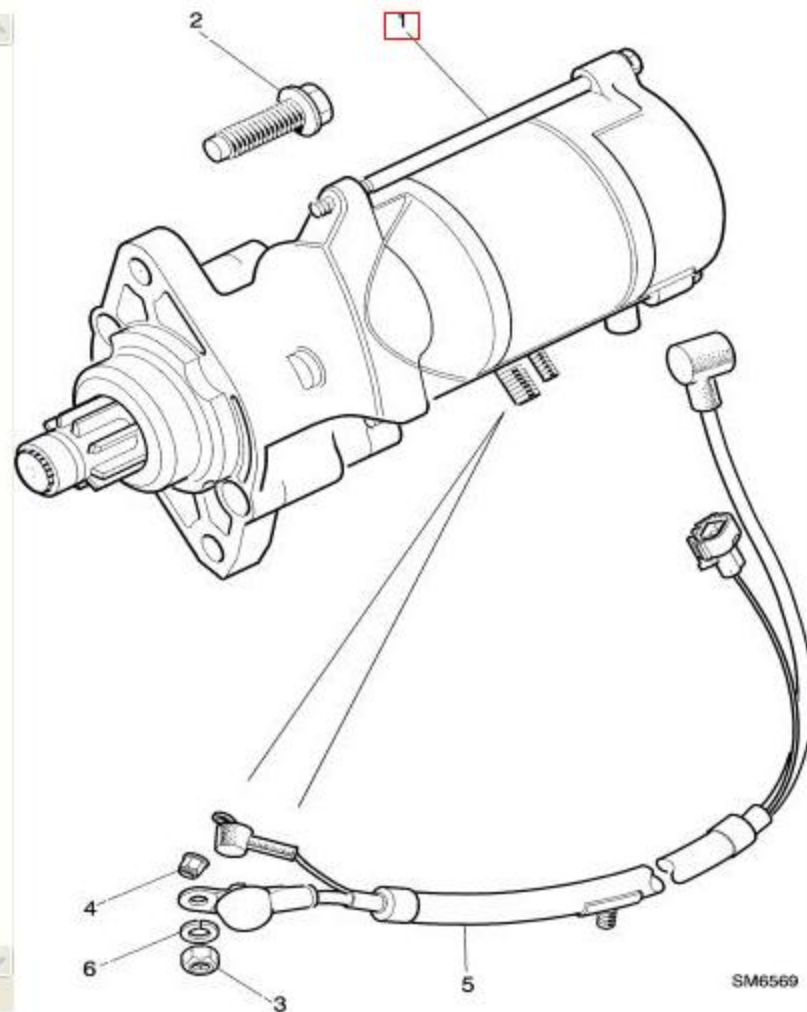
Model Range

VIN ID

XJ Series (From (V)812317 to (V)F59525)/BATTERY/STARTER MOTOR/ALTERNATOR/STARTER MOTOR ▼

STARTER MOTOR

No	Description	Price \$	Qty
1	Starter motor		
	+ To VIN (F41862)		
<input type="checkbox"/>	LCA1850AB	0.00	<input type="text" value="1"/>
	+ From VIN (F41863)		
<input checked="" type="checkbox"/>	new		
<input type="checkbox"/>	AJ83990	2538.52	<input type="text" value="1"/>
2	Flange head screw		
3	Nut		
4	Nyloc nut		
5	Starter cable		
6	Washer		



1998 XJ RANGE - Starting System - 303-06

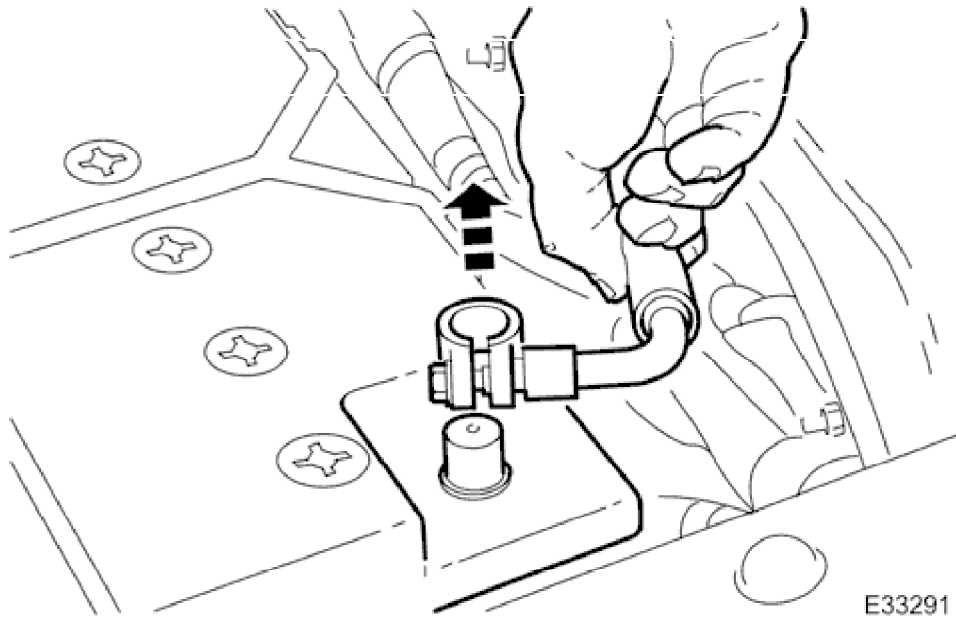
Starter Motor 86.60.01

Removal

Starter Motor 86.60.01

Removal

1. Open the engine compartment and fit paintwork protection sheets.

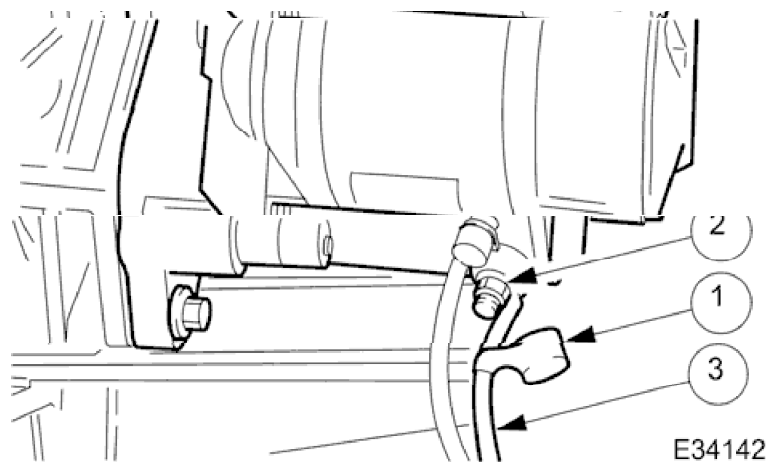


2. Disconnect the battery ground cable.
 - Remove the battery cover.

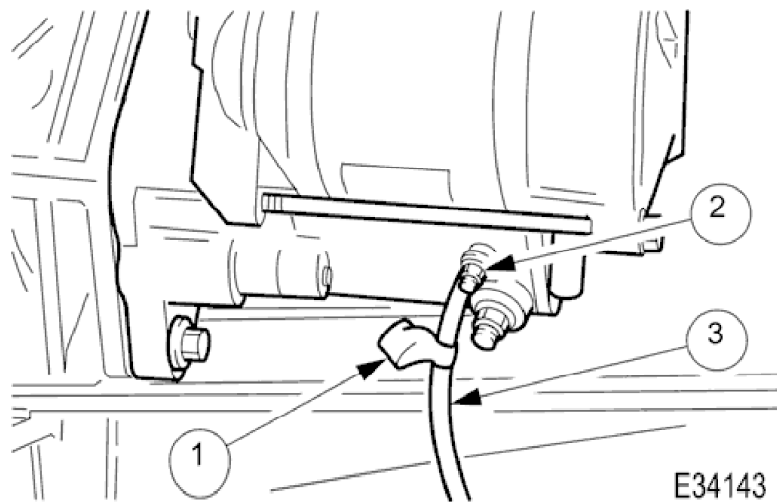
3. Place the vehicle on a ramp.

4. Working from below the vehicle, remove the power
<<57.10.01>>

1998 XJ RANGE - Starting System - 303-06

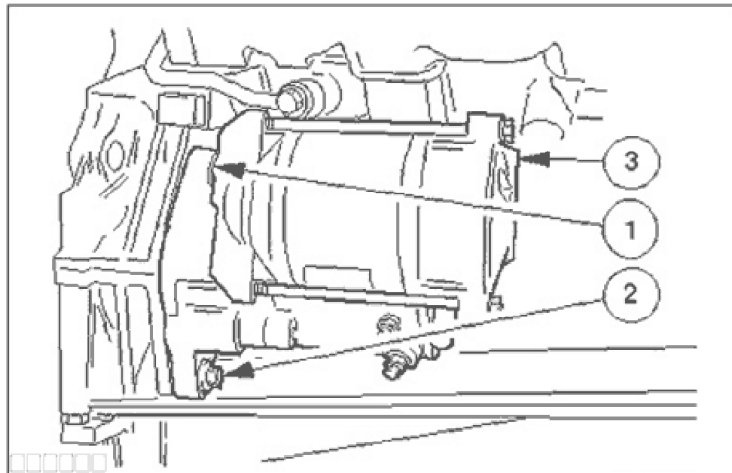


5. Disconnect the starter motor main terminal.
 1. Reposition the rubber boot from the main terminal.
 2. Remove the nut from the starter motor main terminal.
 3. Disconnect the main cable from the terminal.



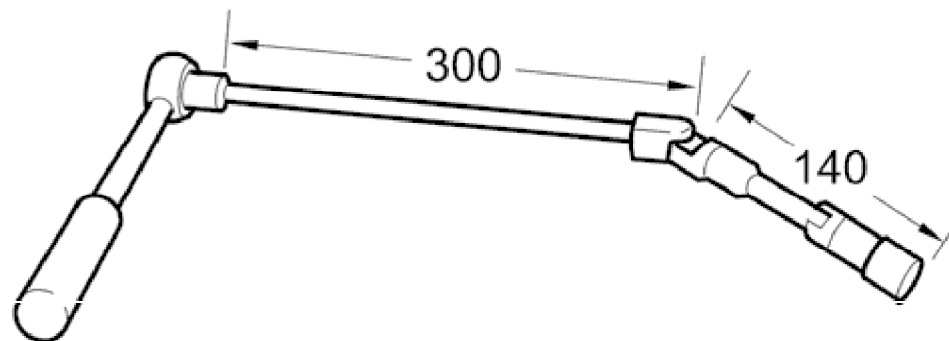
6. Disconnect the starter motor solenoid terminal.
 1. Reposition the rubber boot from the terminal.
 2. Remove the nut from the solenoid terminal.
 3. Disconnect the cable from the terminal.

1998 XJ RANGE - Starting System - 303-06



7. Remove the starter motor securing bolts.

1. Remove the upper securing bolt. Preferably, use a short 13 mm spanner or a Snap On Half Moon spanner CMX1113 to initially loosen the bolt. (Refer to the next step).
2. Remove the lower securing bolt.
3. Carefully remove the starter motor.



E35288

8. The upper bolt may be removed (after loosening) using a 3/8" square drive 13 mm socket, extensions and U.J as shown.

Installation

1. Installation is the reverse of the removal procedure. Tighten the starter motor securing bolts to 38-48 Nm.
2. Refit the steering rack as detailed in Operation <<57.10.01>>. Refill the reservoir with the recommended fluid and bleed the steering system.

1998 XJ RANGE - Starting System - 303-06

3. Lower the ramp. Remove the protection sheets and
4. Connect the battery and fit the battery cover.
 - Reset the radio information and the clock.
close the engine compartment cover.