

1998 XJ RANGE - Power Steering - 211-02

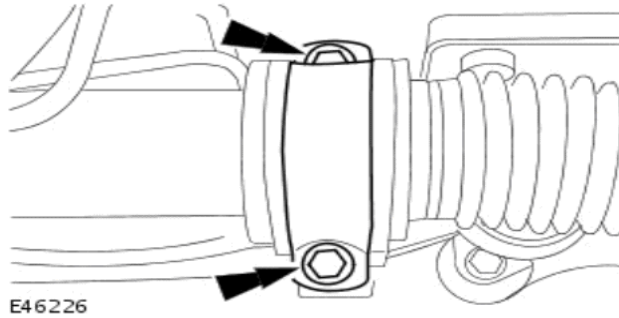
Steering Gear Bushing 57.10.30

Removal

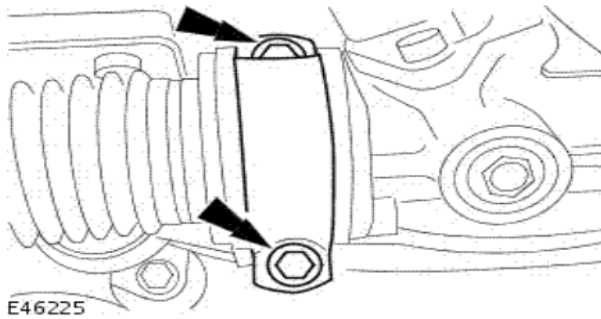
1. Raise the vehicle on a four-post ramp.

NOTE:

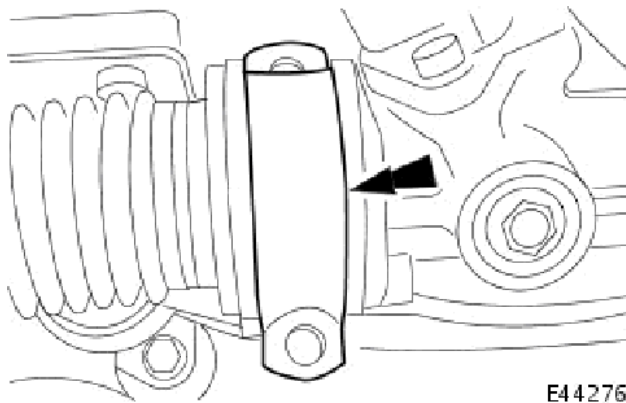
The steering gear bushings are handed; They are marked accordingly and must be replaced as a pair.



2. Loosen, but do not remove, the right-hand steering gear mounting bracket retaining bolts.

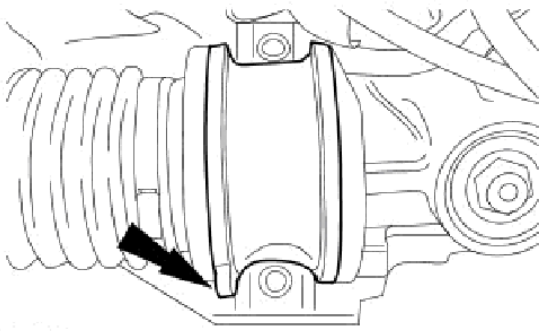


3. Remove the left-hand steering gear mounting bracket retaining bolts.



4. Remove the left-hand steering gear mounting bracket.

1998 XJ RANGE - Power Steering - 211-02

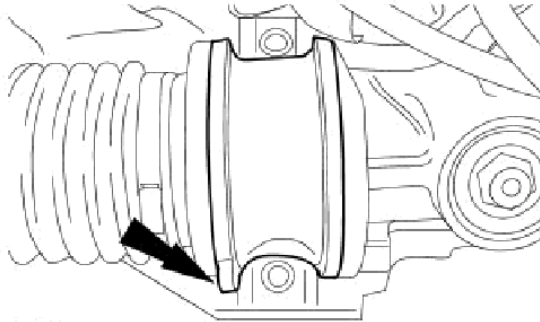


E44273

5. **NOTE:**

Note the installation position of the bushing before removal.

Remove and discard the left-hand steering gear bushing.

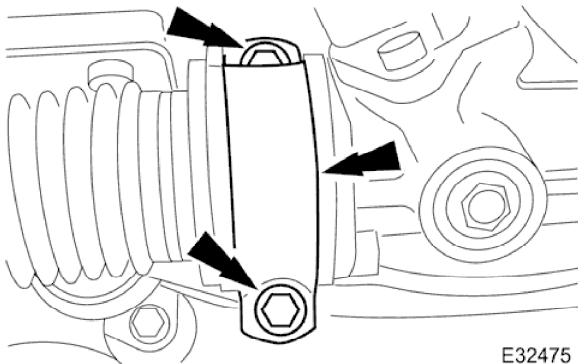


E44273

6. **NOTE:**

Note the installation position of the bushing.

Install the left-hand steering gear bushing.

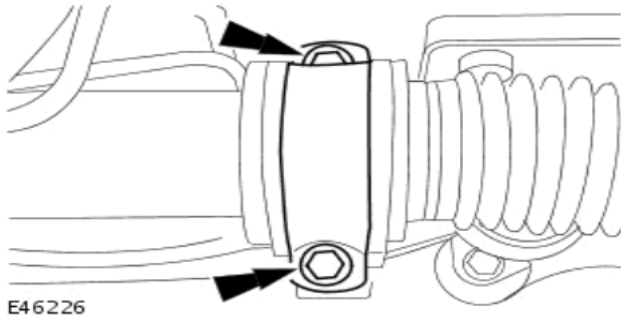


E32475

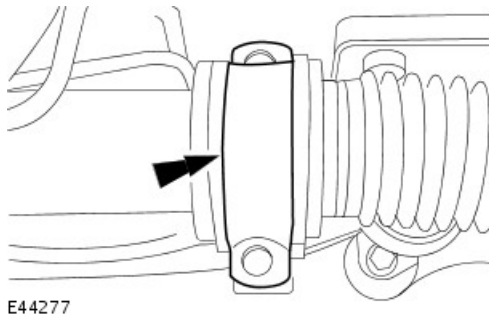
7. Install the left-hand steering gear mounting bracket.

- Install the mounting bracket.
- Install, but do not tighten, the bolts.

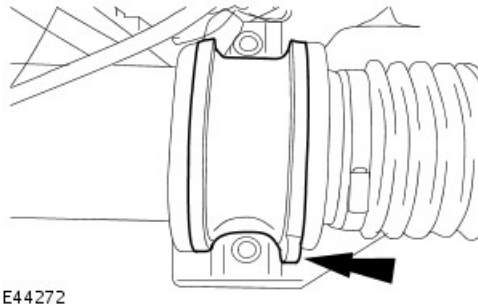
1998 XJ RANGE - Power Steering - 211-02



8. Remove the right-hand steering gear mounting bracket retaining bolts.



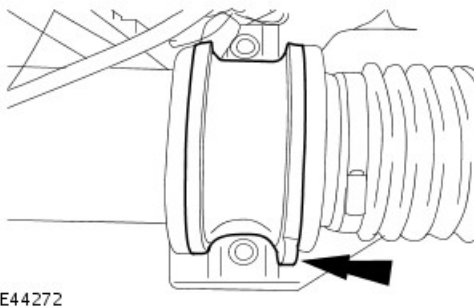
9. Remove the right-hand steering gear mounting bracket.



10. **NOTE:**

Note the installation position of the bushing before removal.

Remove and discard the right-hand steering gear bushing.

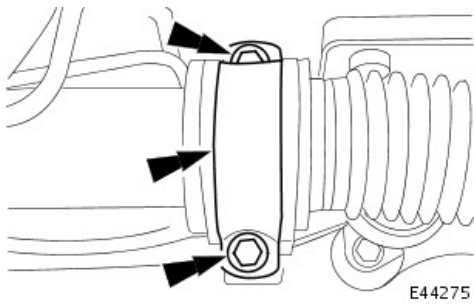


11. **NOTE:**

Note the installation position of the bushing.

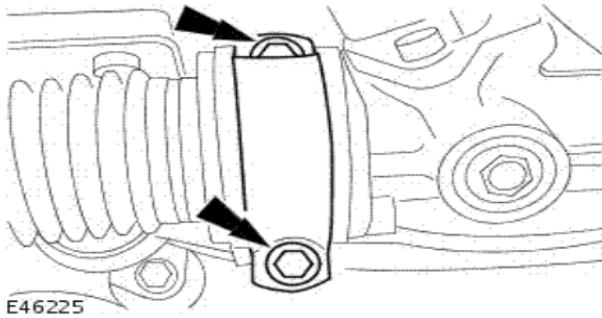
Install the right-hand steering gear bushing.

1998 XJ RANGE - Power Steering - 211-02

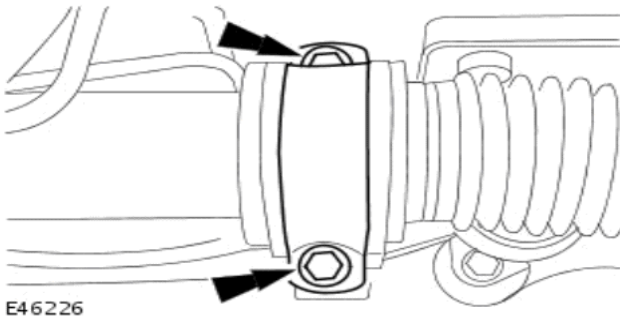


12. Install the right-hand mounting bracket to the steering gear.
- Install the mounting bracket.
 - Install, but do not tighten, the bolts.

Installation



1. Tighten to 45 Nm.



2. Tighten to 45 Nm.
3. Lower the vehicle.