

2001 XJ RANGE - Bumpers - 501-19

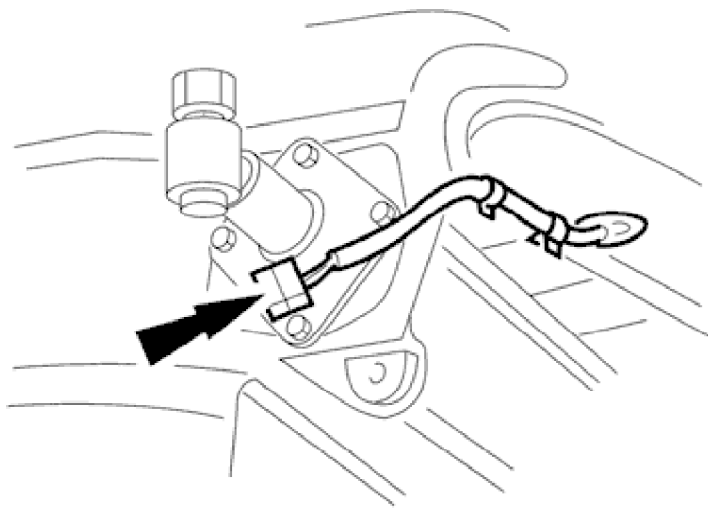
Rear Bumper 76.22.27

Removal

1. Position vehicle on 4-post lift.
2. Remove battery cover and disconnect ground cable from battery terminal. Refer to <<86.15.19>>.

3.  **WARNING:**
THE REAR BUMPER IS CLOSE TO THE EXHAUST PIPES WHICH MAY BE HOT. CARE MUST THEREFORE BE EXERCISED WHEN WORKING IN THIS VICINITY.

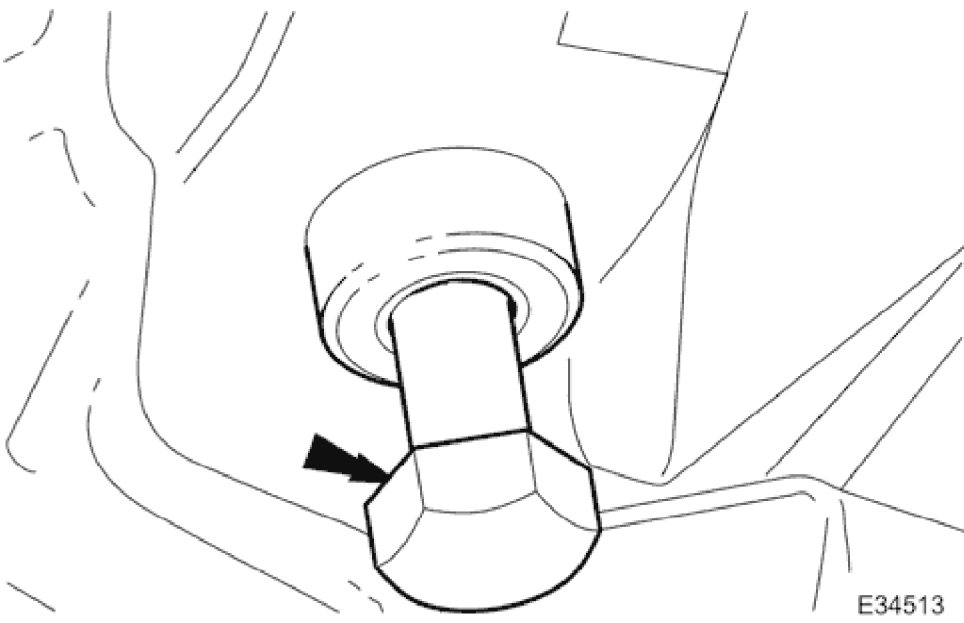
Raise vehicle to working height.



E35580

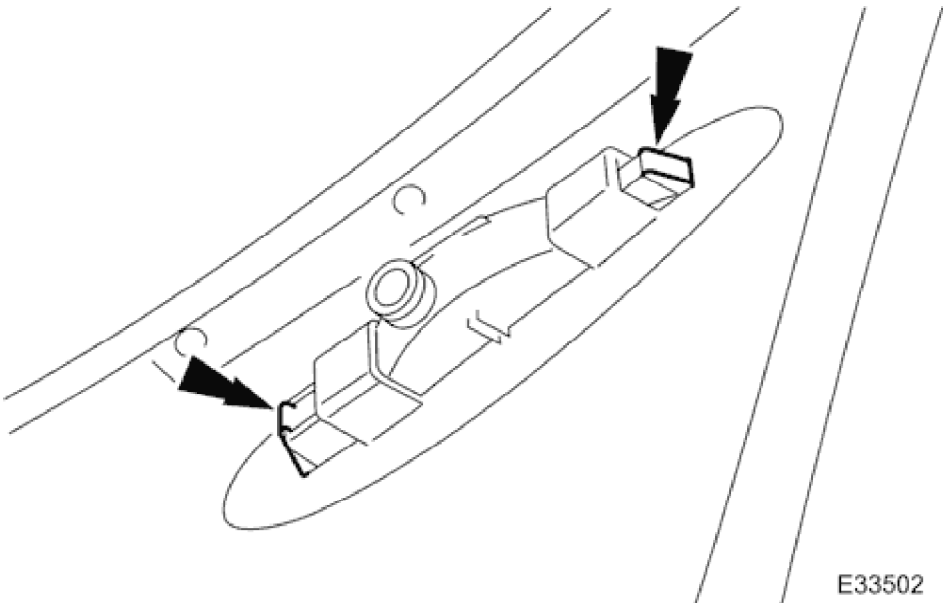
4. Disconnect sidemarker lamp harness multiplugs and position clear of armatures.

2001 XJ RANGE - Bumpers - 501-19



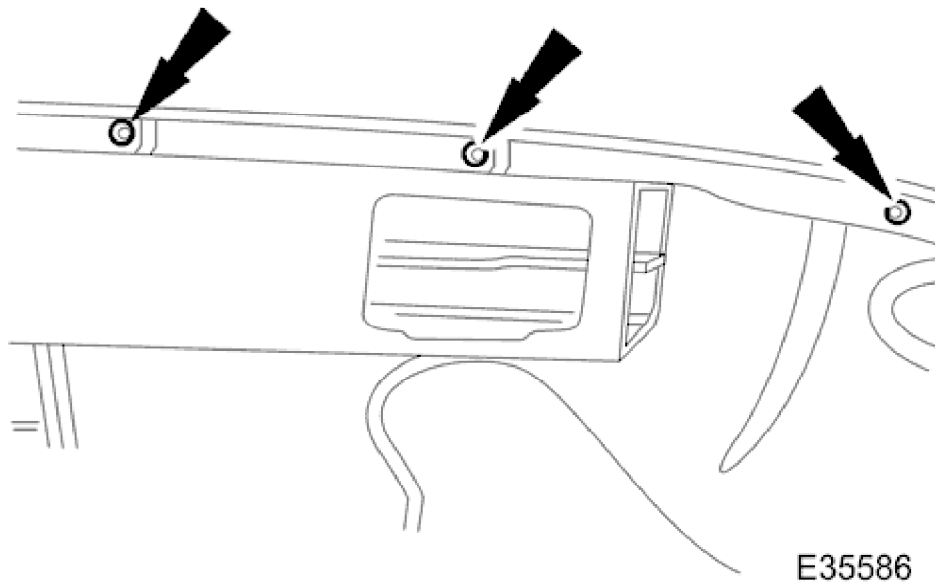
5. Slacken and remove bumper to strut securing bolts.

6. With assistance, carefully slide bumper clear of guide blocks and remove from vehicle.



7. Release retaining clips and remove sidemarker lamps/reflectors from bumper.

2001 XJ RANGE - Bumpers - 501-19



8. Remove bumper blades.
 1. Slacken and remove three screws securing each blade to bumper cover.
 2. Slide each blade forward to release three side tangs from cover and remove blades from bumper.
9. Drill out rivets securing beam to bumper cover.
10. Withdraw beam from bumper cover.

Installation

1. Position beam in bumper cover and secure with new fir tree fasteners and rivets.
2. Fit and fully seat sidemarker lamps/reflectors in bumper cover.
3. Fit chrome blades to top of cover locating tangs in slots and fit and tighten securing screws.
4. Fit bumper assembly to vehicle. Refer to operations in this section.
5. Fit ground cable to battery terminal and fit battery cover. Refer to <<86.15.15>>.