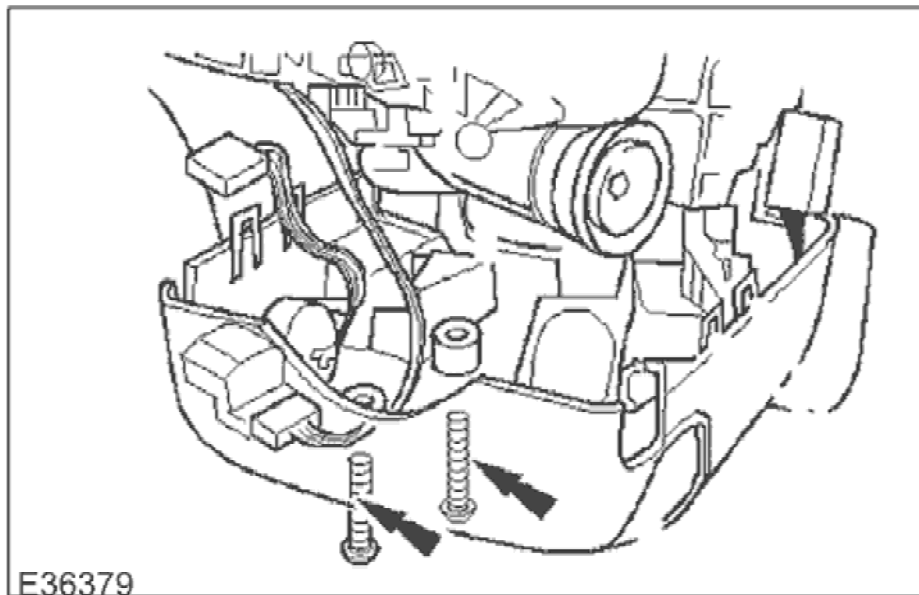


## Steering Column Upper Shroud 76.46.02

### Removal

1. Move driver seat fully rearward.



2. Slacken and remove screws securing upper cowl to lower cowl and separate the two cowls.
3. Move steering column to fully down position.
4. Remove upper cowl from steering column.

### Installation

1. Position upper cowl on steering column.
2. Move column to the fully up position.
3. Fit upper cowl to lower cowl locating the four tabs, and fit and tighten securing screws..
4. Return driver seat and column to original positions.