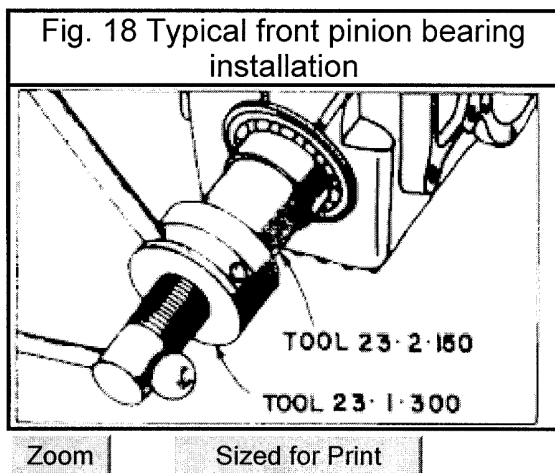
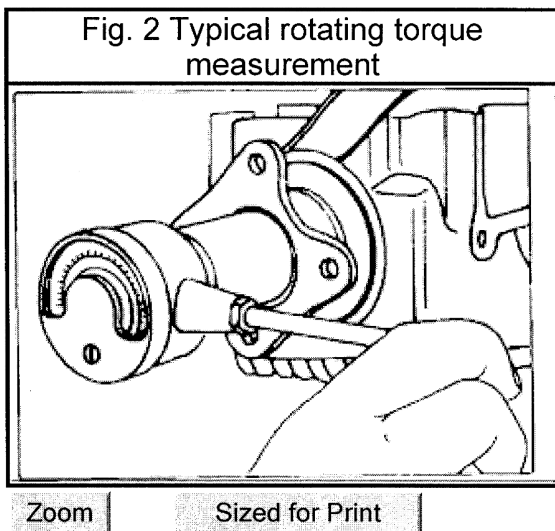


1995 BMW M3 (E36) L6-2990cc 3.0L DOHC (S50)

Vehicle Level → [Transmission and Drivetrain](#) → [Differential Assembly](#) → [Pinion Gear](#) → [Service and Repair](#)
[Pinion Installation & Adjustment](#)

Pinion Installation & Adjustment

Notes



1. Record thickness of pinion depth adjusting shim removed during disassembly and record pinion depth modification code etched or stamped on pinion.
2. Install pinion depth shim in rear bearing race bore, then press front and rear pinion bearing races into housing using forcing screw and adapters.
3. Press rear bearing onto pinion shaft.