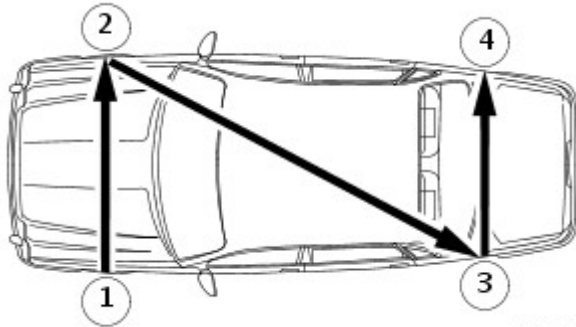


E35182

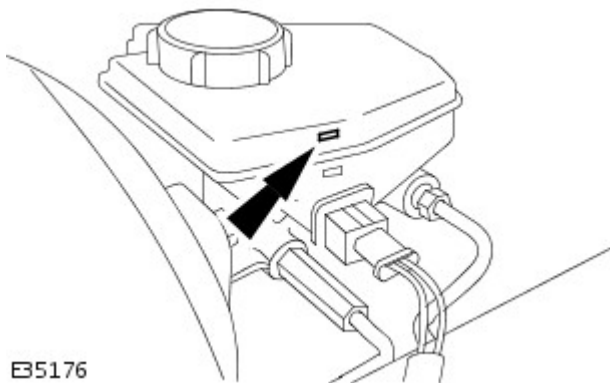
- Front caliper bleed nipple: 4-6 Nm.
- Rear caliper bleed nipple: 8-11 Nm.



E35245

7. Following the procedure below, bleed the brakes in the order shown:

1. Left-Hand Front,
2. Right-Hand Front,
3. Left- Hand Rear,
4. Right-Hand Rear.



E35176

8.  **CAUTION:** Remove brake fluid spillage immediately from paint work with clean water.

Fill fluid reservoir.

- Fill reservoir to the 'MAX' mark.
- Fit filler cap.

9. Start engine.

10. Check for correct brake-pedal travel and pressure.

11. Apply brake pedal and check around vehicle for brake fluid leaks.

12. Make sure brake fluid level is at the 'MAX' mark.