


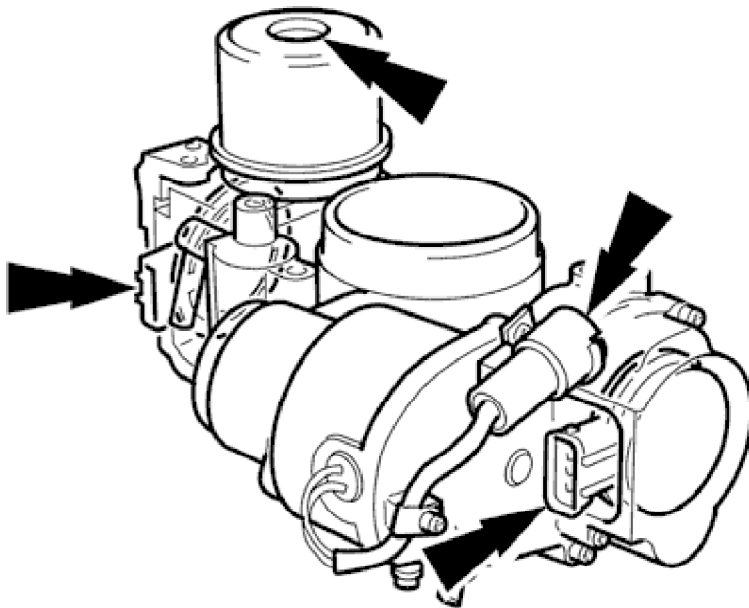
## Throttle Body 19.70.04

### Removal

1.  **CAUTION:**  
This process assumes the use of the original throttle cable. The cable setting procedure in this instance is NOT appropriate for a new cable; see <<19.20.06>>.

Disconnect battery ground cable (IMPORTANT, see SRO <<86.15.19>> for further information).

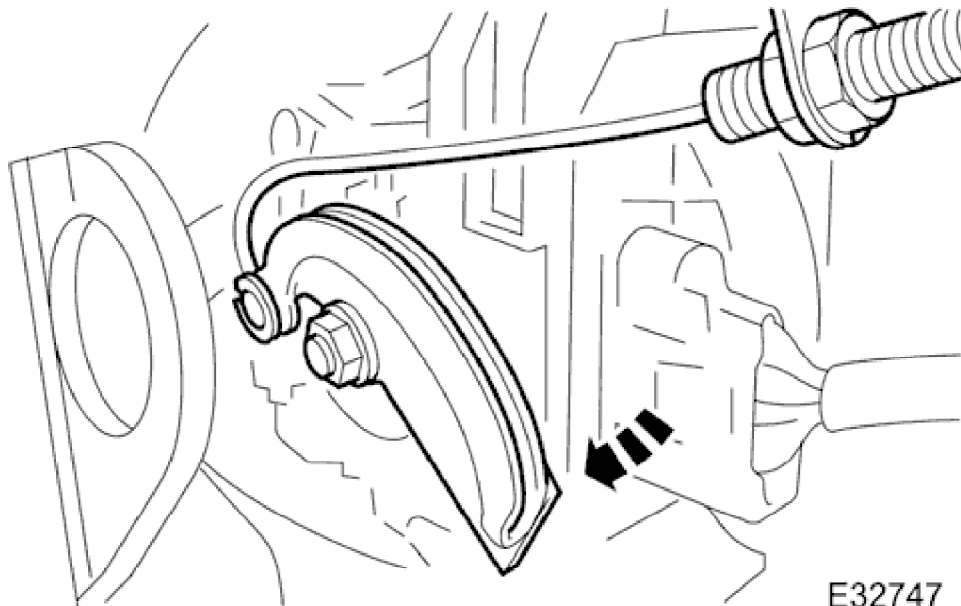
2. Remove air cleaner cover / intake assembly; refer 19.10.30



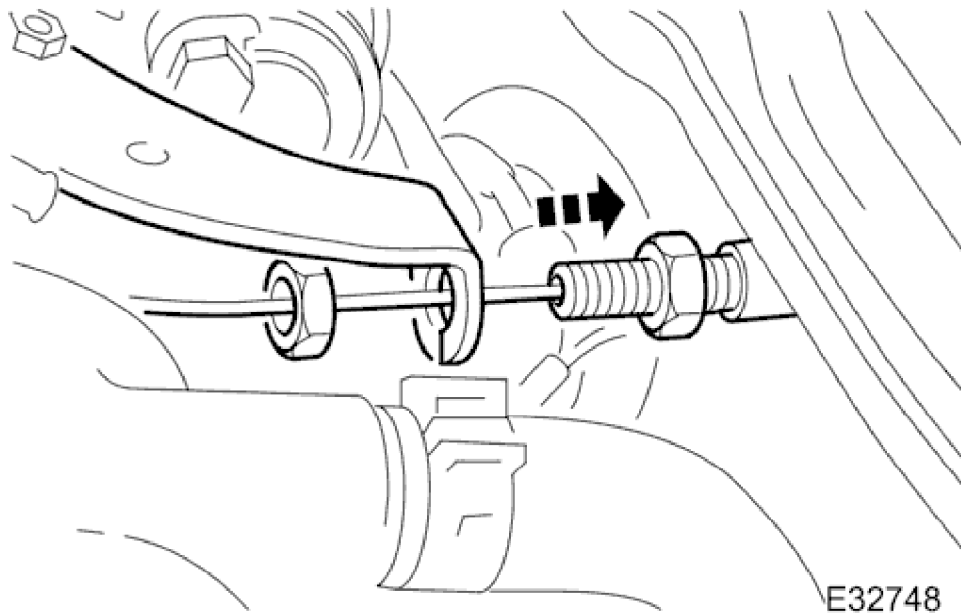
E32746

3. Disconnect connectors and vacuum pipe.

1998 XJ RANGE - Fuel Charging and Controls - 303-04



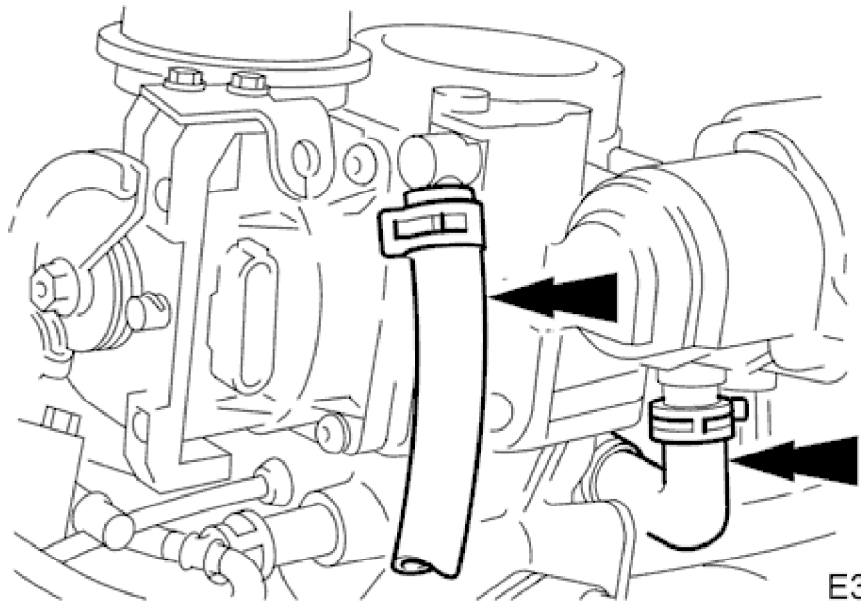
4. Rotate throttle quadrant to allow disconnection of inner cable.



5. **NOTE:**  
Do not disturb adjusting nut

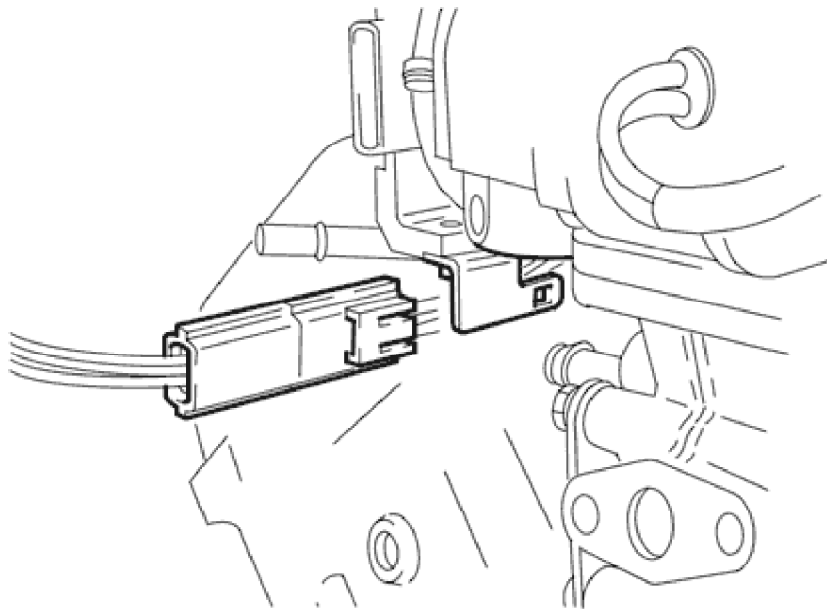
Release throttle cable locking nut and displace outer cable from the abutment bracket.

**1998 XJ RANGE - Fuel Charging and Controls - 303-04**



E32749

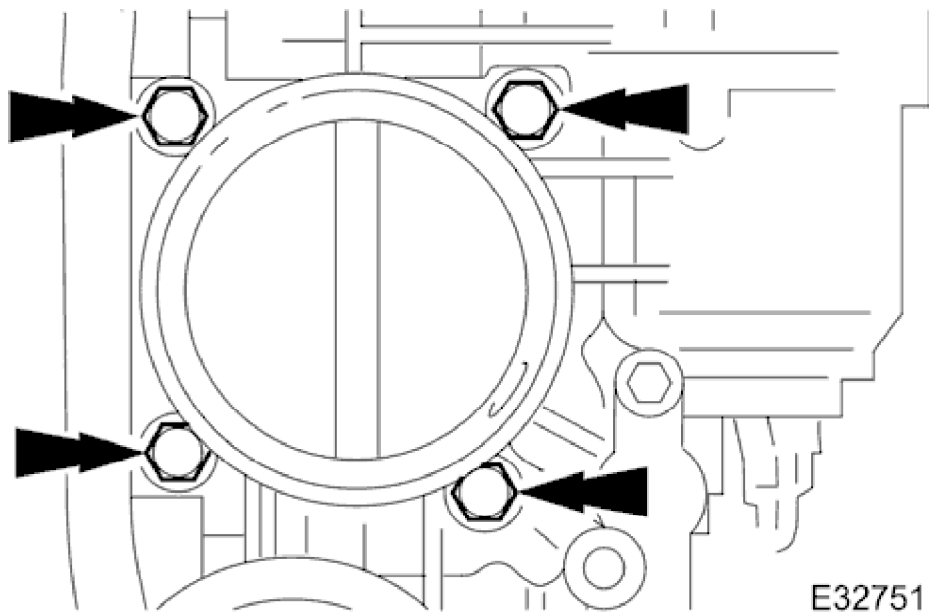
- 6. Remove coolant hoses.
  - Install suitable blanking plugs.



E32750

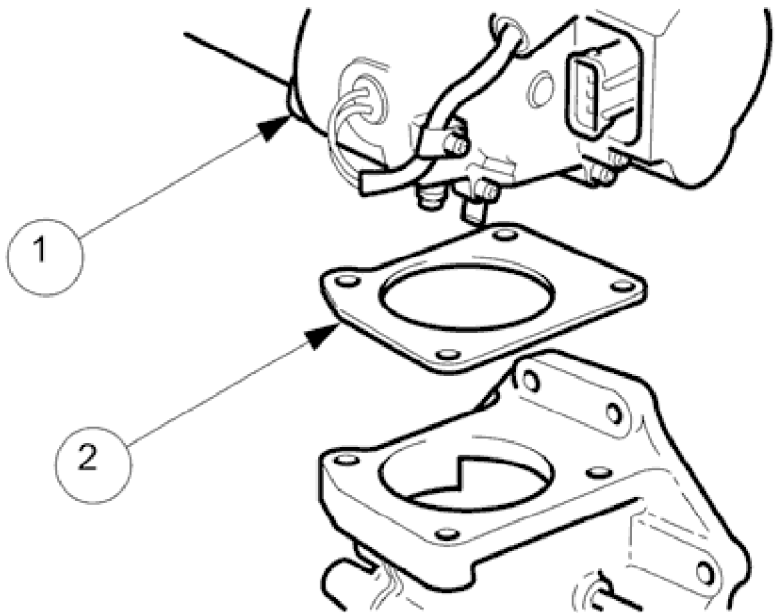
- 7. Release connector from bracket under LH side of assembly.

# 1998 XJ RANGE - Fuel Charging and Controls - 303-04



E32751

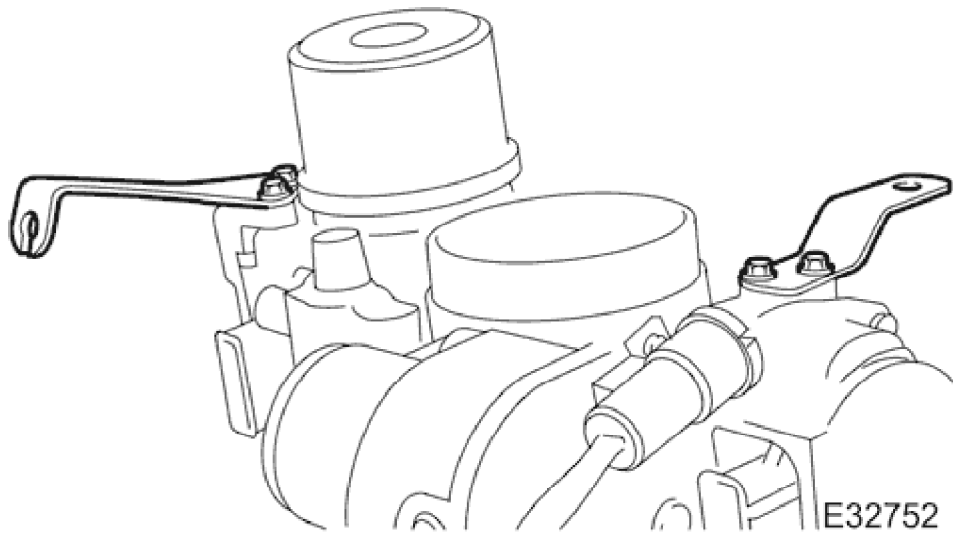
8. Remove throttle body to induction elbow securing bolts.



E34148

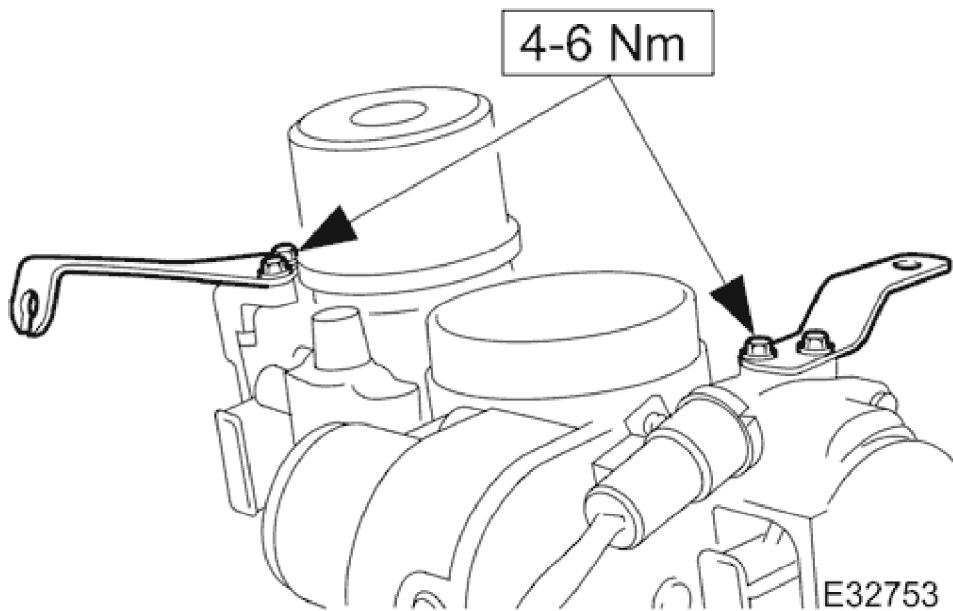
9. Remove throttle body from induction elbow.
- 1. Remove throttle body.
  - 2. Discard gasket.
  - Clean mating faces.
  - Blank off inlet tract to prevent ingress of foreign matter.

# 1998 XJ RANGE - Fuel Charging and Controls - 303-04



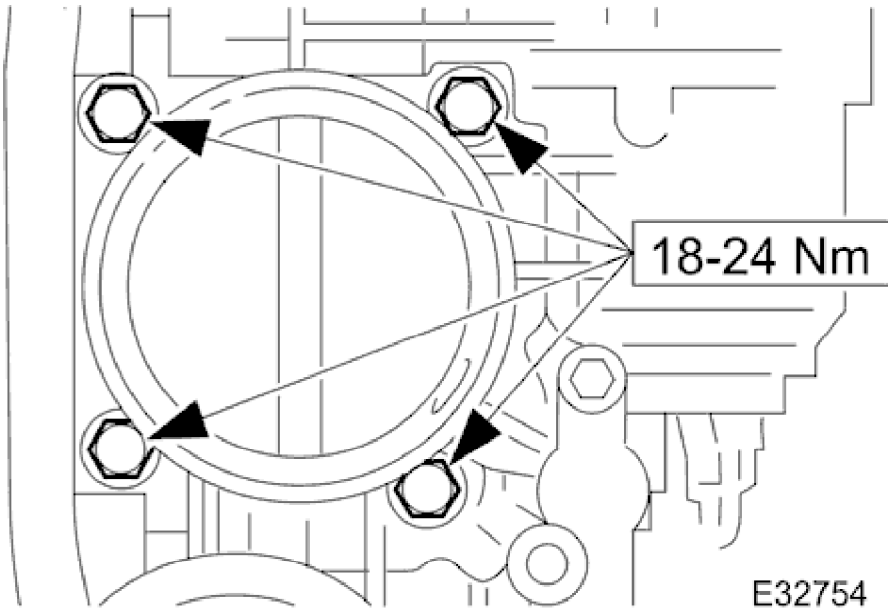
10. Remove throttle cable and intake duct brackets.

## Installation

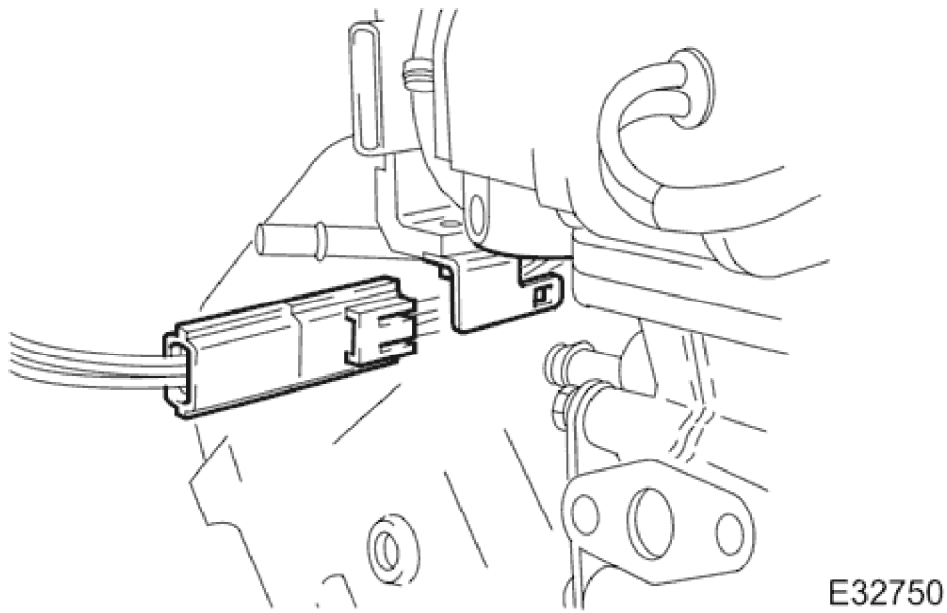


1. Install throttle cable and intake duct brackets.

1998 XJ RANGE - Fuel Charging and Controls - 303-04

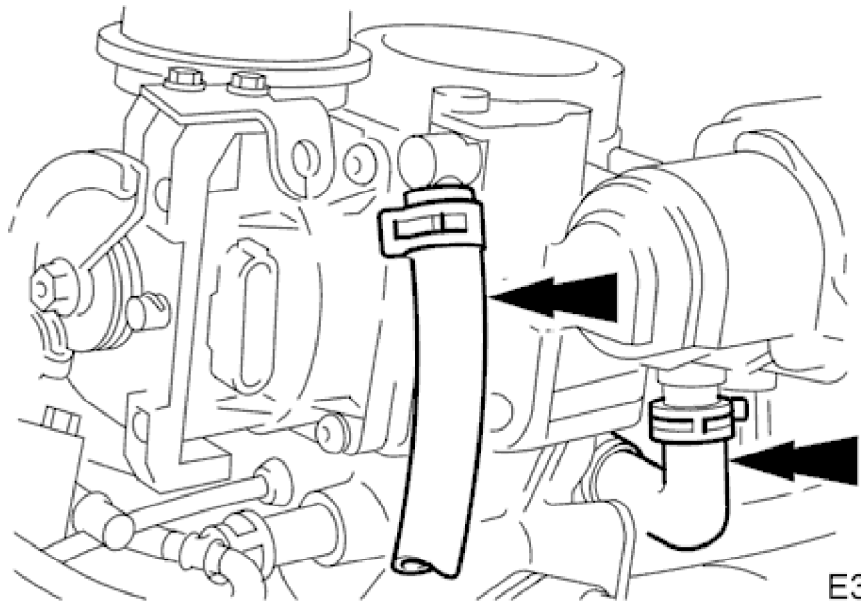


- 2. Install throttle.
  - Install new gasket.



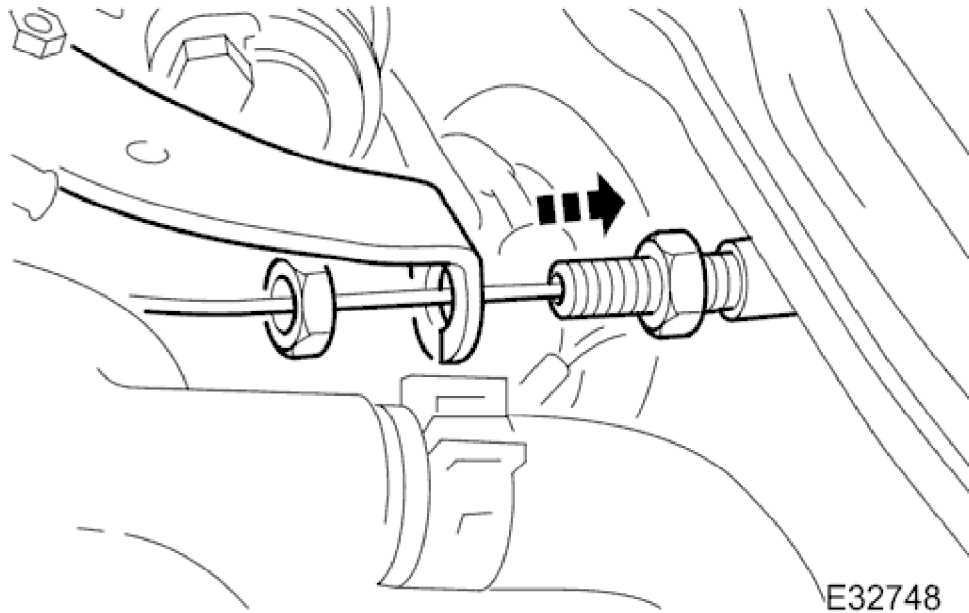
- 3. Install connector.

**1998 XJ RANGE - Fuel Charging and Controls - 303-04**



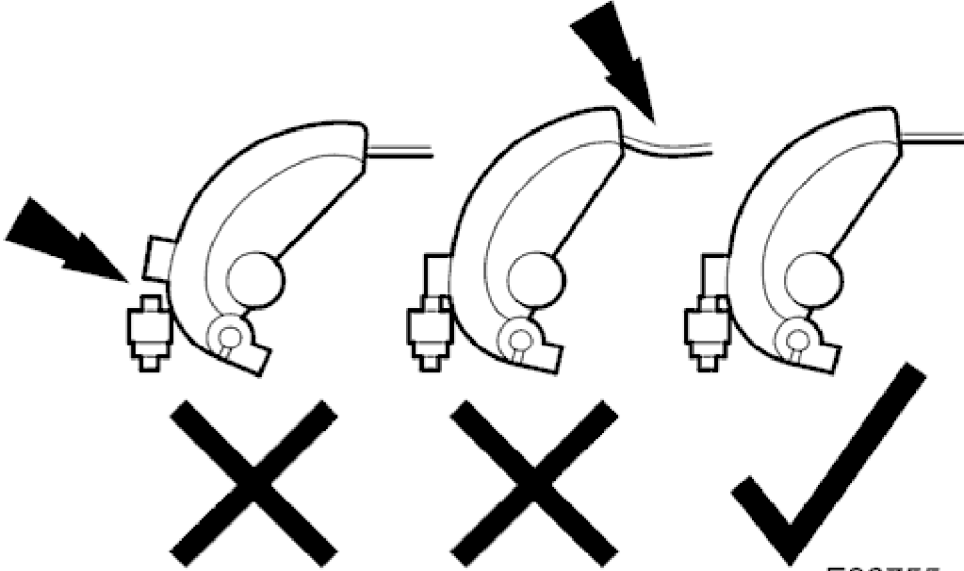
E32749

4. Install coolant hoses.




E32748

5. Reposition outer cable to abutment bracket.  
• Install but do not tighten adjusting nut.

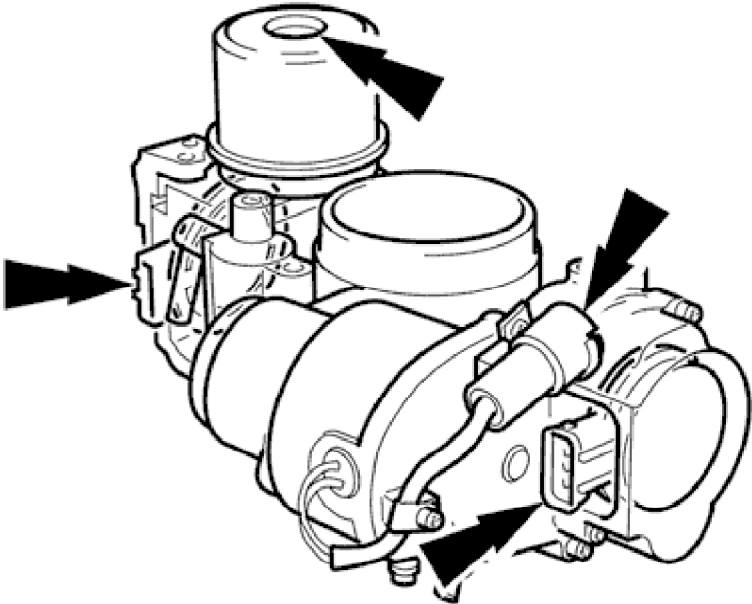


E32755

6.  **CAUTION:**  
Under no circumstances should quadrant be held clear of throttle stop by cable tension.

**NOTE:**  
Make sure there is neither tension nor slack in the cable.

Install throttle cable.  
• Tighten locknut without altering setting or introducing twist into the cable outer.



E32746

7. Connect connectors and vacuum pipe.

8. Where appropriate check kickdown setting is within specification and reset if required as detailed from step 6



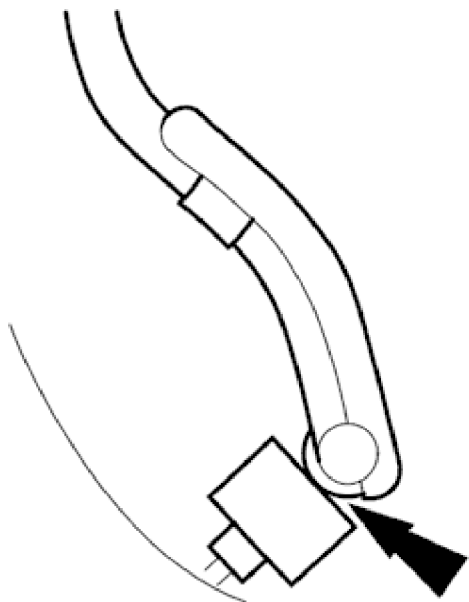
# 1998 XJ RANGE - Fuel Charging and Controls - 303-04

(Installation).

- PDU users see <<44.15.38>>

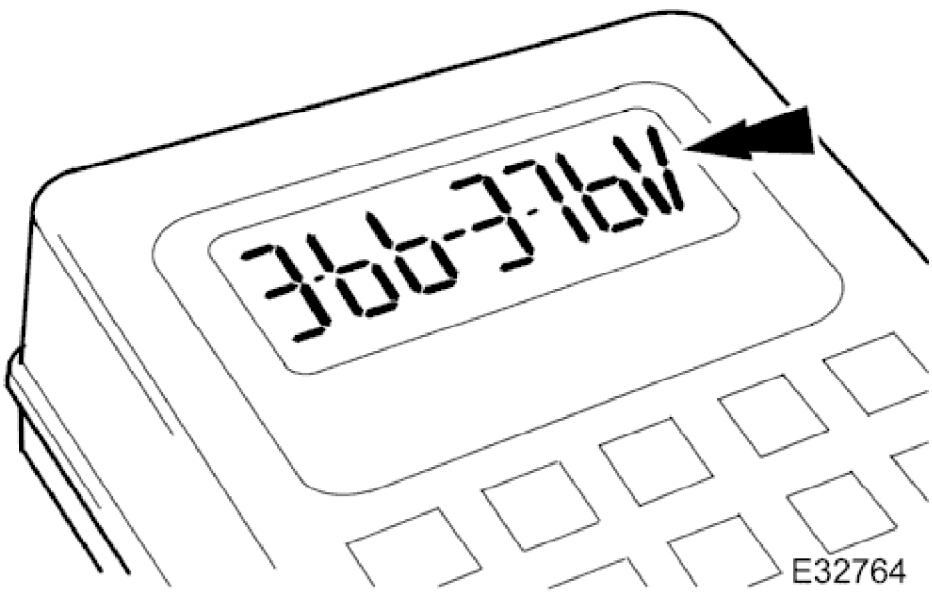


9. Connect scantool.
- Read 'Current Powertrain Data'.
  - Display PID 120F (pedal demand).



10. **NOTE:**  
Ensure that contact with switch does not result in switch movement.  
Push throttle pedal until light contact is made with kickdown switch.

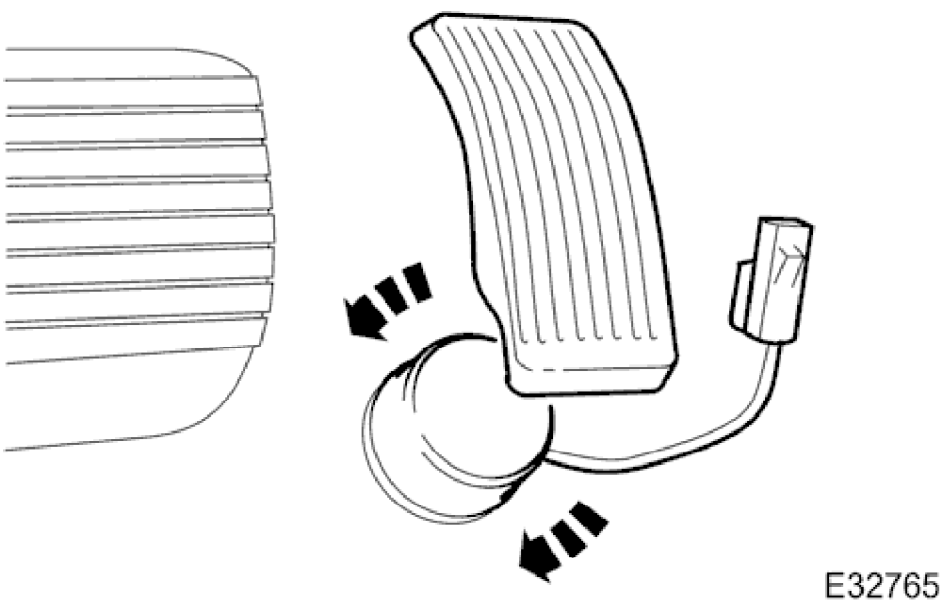
**1998 XJ RANGE - Fuel Charging and Controls - 303-04**



- 11. Specified PID value = 3.66 to 3.76 volts (2F9 + or - A hex).
  - If the value is outside these limits, proceed to step 9 (Installation).
  - If the value is within these limits, proceed to step 13 (Installation).

12. Pull carpet from around kickdown switch.

13. Disconnect kickdown switch flying lead connector (to avoid cable twist as the switch is rotated).



14. Adjust kickdown switch to the value as defined in step 8 (Installation).

15. Reconnect kickdown flying lead connector and verify setting.

## 1998 XJ RANGE - Fuel Charging and Controls - 303-04

16. Install air cleaner cover / intake assembly; refer 19.10.30.
17. Check coolant level and top up if required.
18. Reconnect battery ground cable (IMPORTANT, see SRO <<86.15.15>> for further information).