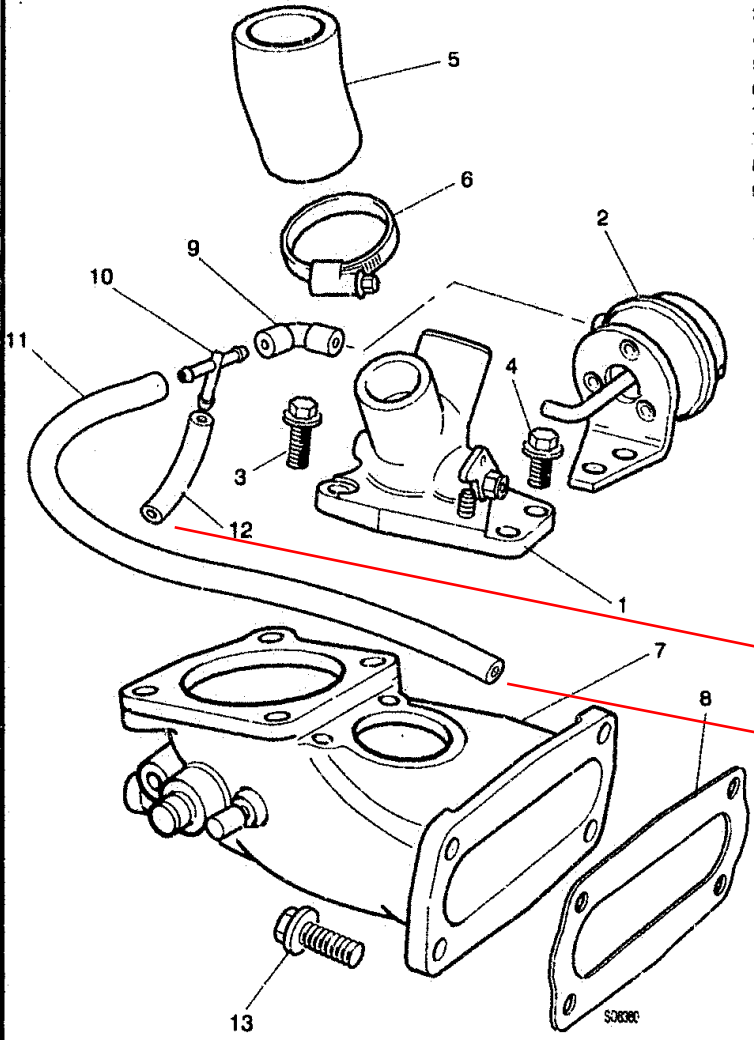


BY PASS VALVE AND ACTUATOR-4.0 LITRE-V8 SUPERCHARGED

Qty	Part Number	Description	Quantity	Change Point	Remarks
1	NCC 7709AD	Bypass valve.....	1		
	KSC 137624	O-ring-bypass valve.....	1		
2	NCC 7703AC	Supercharger bypass actuator.....	1		
3	JFS 10620B	Flanged head screw-M6 x 20mm.....	2		
4	JFS 10610B	Flange head screw M6.....	2		
5	NCC 2213AC	Water bypass hose.....	2		
6	JHC 200801	Hose clip.....	4		
7	NCC 7749AD	Induction elbow-inlet manifold.....	1	(1)	
7	NNE 7749AA	Induction elbow-inlet manifold.....	1	(2)	
8	NCC 7754BA	Gasket-inlet side.....	1		
9	EAC 7965	Elbow.....	1		
10	C 15644	T-piece.....	1		
11	NCA 3239AA 1	Vacuum hose.....	1		
12	NCA 3239AA 4	Bypass hose.....	1		
13	JFB 10810B	Bolt -M8.....	4		



TO SMALL PORT ON
INTAKE ELBOW

TO TEE ON EGR HOSE

CHANGE POINTS:
(1) To (V) 878717
(2) From (V) F00035