

New Splitter Tool – Lower Ball Joint

MODEL
 1997 MY-ON XK8 Range
 1998 MY-ON V8 XJ Series
VIN
 001001-ON
 812256-ON

Issue:

A new ball joint splitter tool has been introduced for operations on the front suspension of XK8 and V8 XJ Series vehicles.

Action:

Use the new Special Tool 204 - 293 (Illustration 1) when disconnecting the vertical link **lower** ball joint from the lower wishbone. This tool has been specifically designed for this application. Ensure that the internal thrust ball and the screw of the forcing thread are lightly lubricated before use.

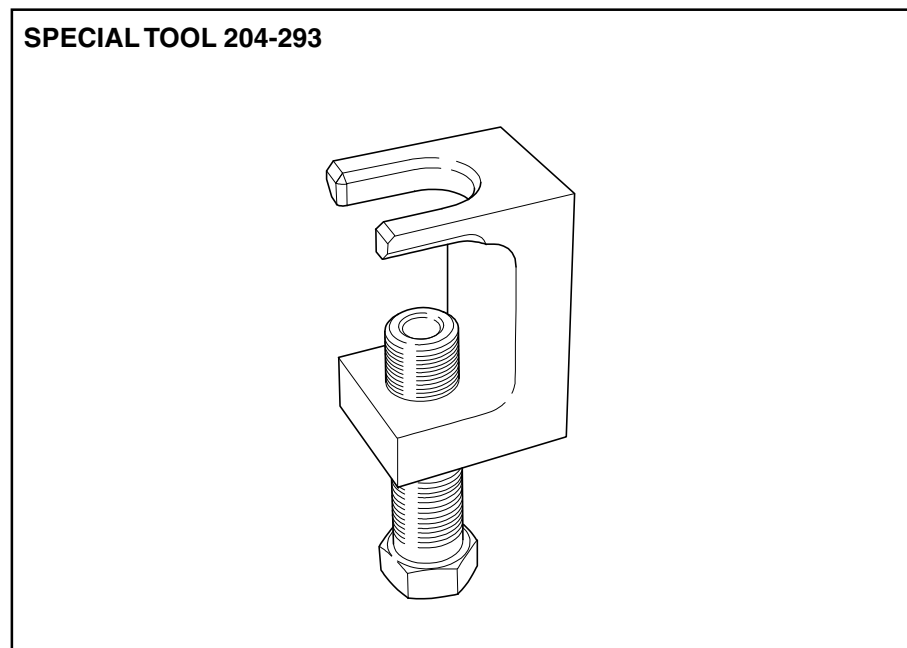


ILLUSTRATION 1

Special Tool 204 - 192 was previously specified for this application, but has been found to be liable to slippage. Do not use this tool for the lower ball joint.

Continue to use Special Tool 204 - 192 when disconnecting the vertical link upper ball joint from the **upper** wishbone.

Warranty Information:

This Technical Bulletin is issued For Information Only.