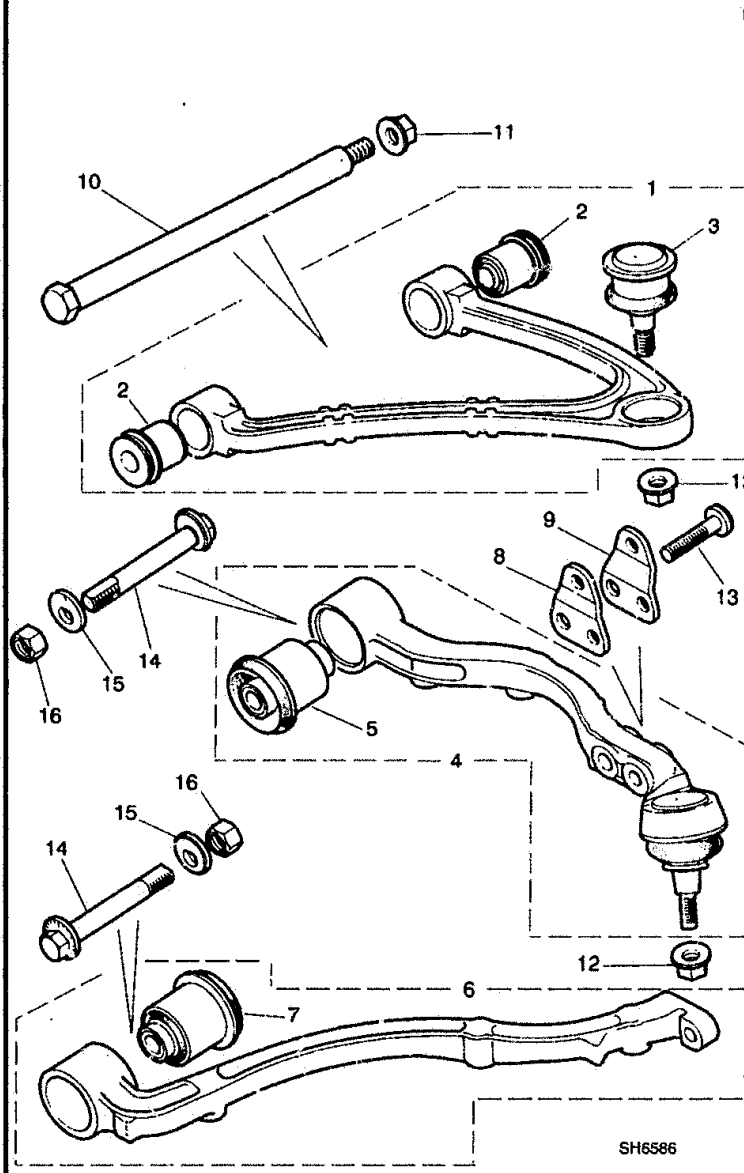


V8 XJ Series

D06
Fiche 2

STEERING AND SUSPENSION
WISHBONE AND HUB ASSEMBLY-FRONT

WISHBONE-FRONT-UPPER AND LOWER



Illus	Part Number	Description	Quantity	Change Point	Remarks
4	JLM 21302	LOWER WISHBONE-RH REAR.....	1] (1)	
4	JLM 21303	LOWER WISHBONE-LH REAR.....	1		
12	JFX 11205E	Flange locking nut.....	1		
6	MNC 1310AC	LOWER WISHBONE-RH FRONT.....	1] (2)	
6	MNC 1311AC	LOWER WISHBONE-LH FRONT.....	1		
7	MNC 1360AB	• Wishbone bush-lower.....	1] (3)	
6	MNC 1310AD	LOWER WISHBONE-RH FRONT.....	1		
6	MNC 1311AD	LOWER WISHBONE-LH FRONT.....	1		
7	MNE 1360AA	• Wishbone bush-lower.....	1] (1)	
6	MNC 1310AE	LOWER WISHBONE-RH FRONT.....	1		
6	MNC 1311AE	LOWER WISHBONE-LH FRONT.....	1		
7	MNE 1360AB	• Wishbone bush-lower -front.....	1		
8	MND 1372AA	Mounting plate-front-RH.....	1		
8	MND 1373AA	Mounting plate-front-LH.....	1		
9	MND 1374AA	Mounting plate-rear -RH.....	1		
9	MND 1375AA	Mounting plate-rear -LH.....	1		
10	MNC 1455AB	Fulcrum shaft.....	2		
11	JFX 11205E	Flange locking nut.....	2		
12	JZN 100030	Flange locking nut.....	4	(4)	
12	JFX 11205E	Flange locking nut.....	4	(5)	
13	JZS 100118	Torx screw-front crossbeam.....	2		
14	JZB 100089	Adjuster bolt-front crossbeam-M14.....	4	(6)	
14	JZB 100098	Adjuster bolt-front crossbeam-M14.....	4	(7)	
15	MNC 1371AF	Cam plate-front crossbeam.....	4		
16	JZN 100062	Nut-nyloc-M14.....	4		

CHANGE POINTS:
 (1) From (V) F00035
 (2) To (V) 862294
 (3) From (V) 862295 To (V) 878717
 (4) To (V) 853935
 (5) From (V) 853936
 (6) To (V) 833123
 (7) From (V) 833124

SH6586