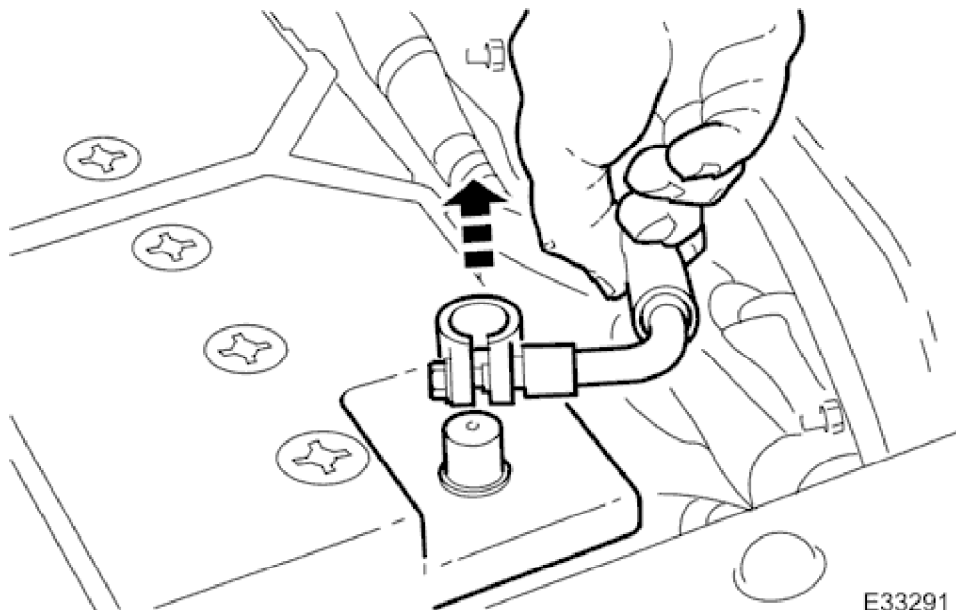


1998 XJ RANGE - Multifunction Electronic Modules - 419-10

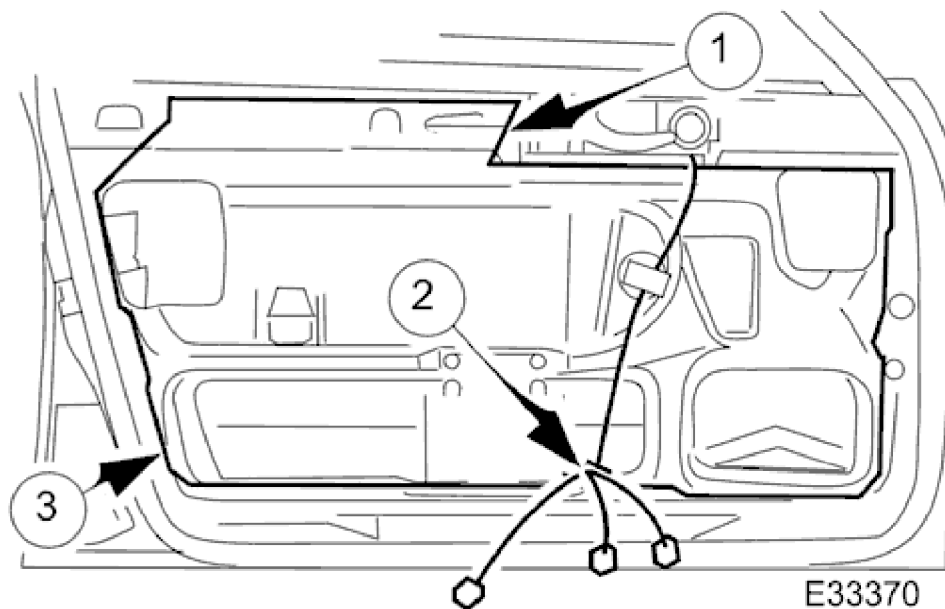
Front Door Module (FDM) 86.80.34

Removal

1. Disconnect battery ground cable; refer to <<86.15.19>>.

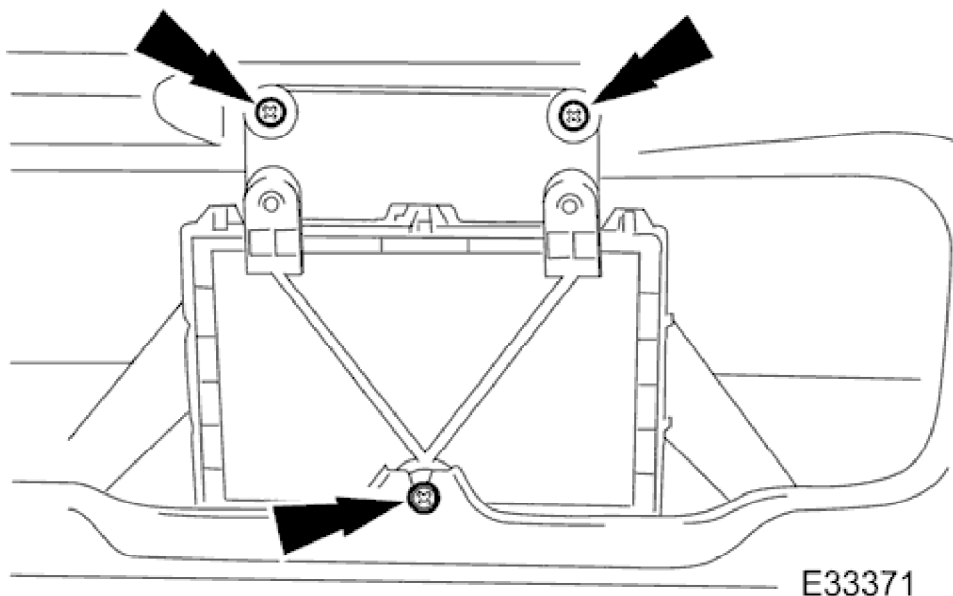


2. Remove door casing; refer to <<76.34.01>>.



3. Remove primary water shedder.
 1. Displace primary water shedder from door.
 2. Feed door harness through water shedder.
 3. Remove water shedder.

1998 XJ RANGE - Multifunction Electronic Modules - 419-10



4. Remove door module.
 - Remove screws which secure module to door.
 - Reposition module to allow access to connectors.
 - Disconnect connector.
 - Remove module complete with bracket.

5. Remove mounting bracket.
 - Remove screws securing bracket to module.

Installation

1. Installation is reverse of removal.

2. Reconnect battery ground cable; refer to <<86.15.15>>.