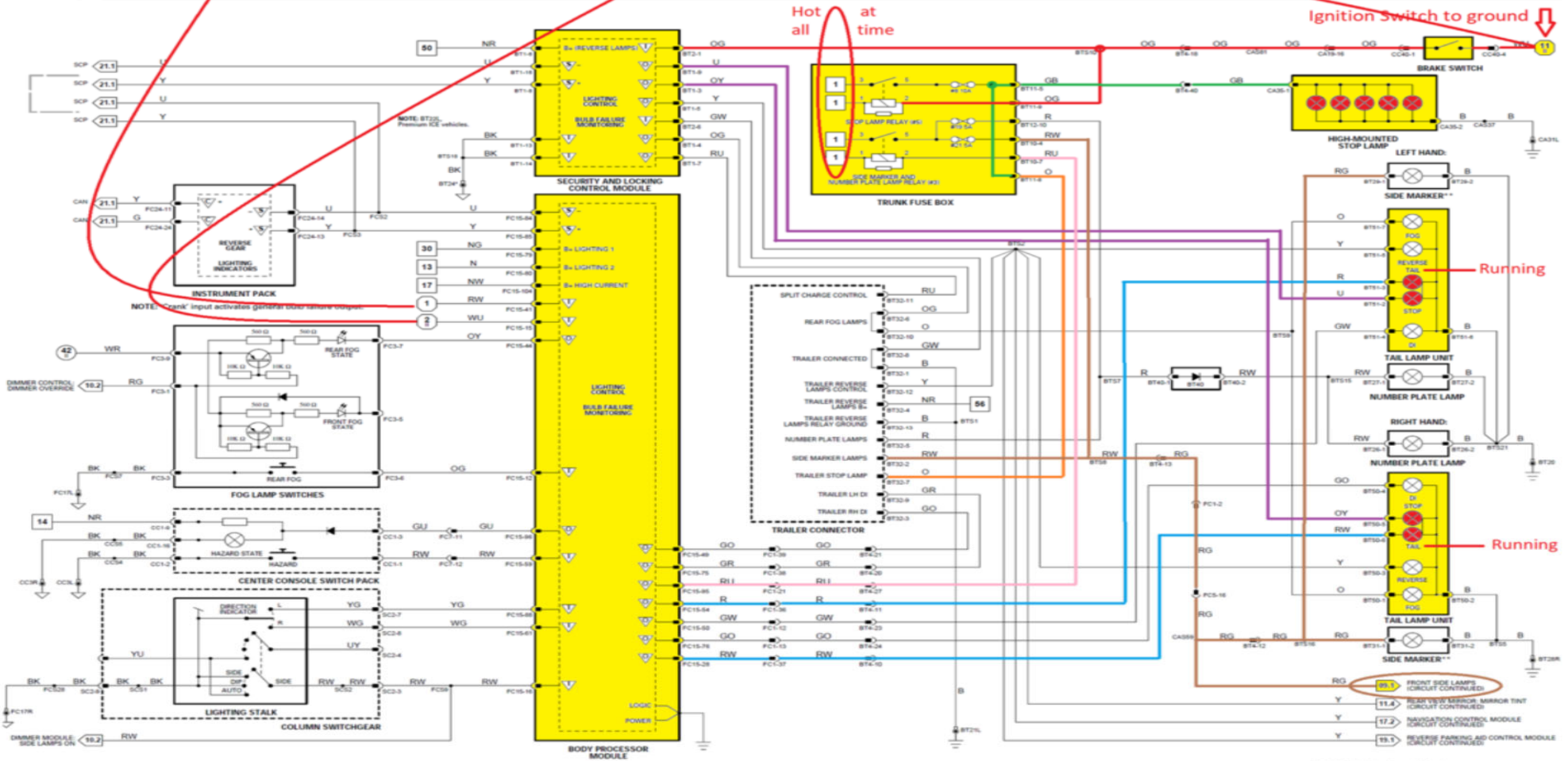


XJ Series 2001

Exterior Lighting: Rear

Exterior Lighting: Rear

Fig. 09.2



NOTE: Side Marker Lamps - NAG only.