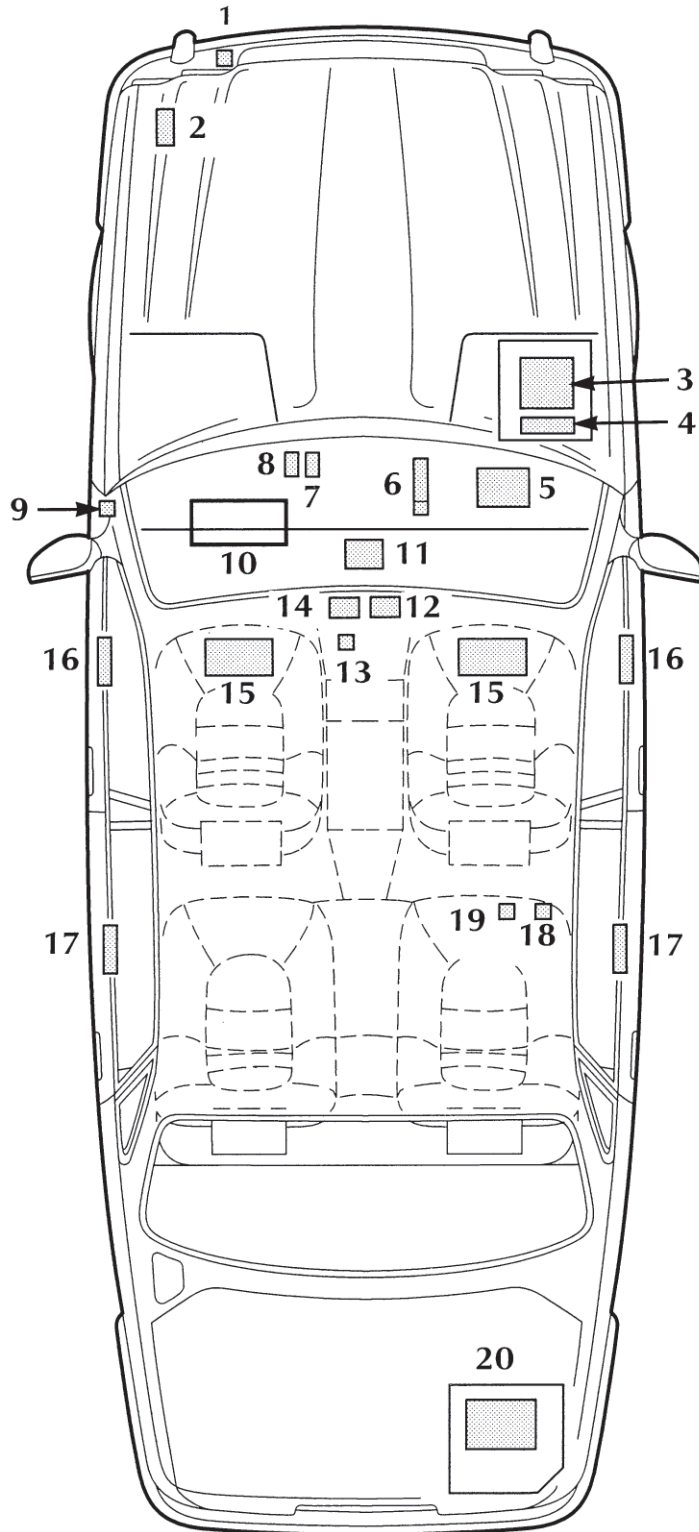


## Control Modules

### CONTROL MODULE LOCATIONS



- 1 Radiator Fans
- 2 Brake/ABS
- 3 Engine
- 4 Transmission
- 5 Body Processor
- 6 Air Conditioning
- 7 Dimmer
- 8 Key Transponder
- 9 Steering
- 10 Instrument Cluster
- 11 Single Point Sensor
- 12 Garage Door Opener (where fitted)
- 13 Gear Selector Illumination
- 14 Sun Roof (where fitted)
- 15 Driver/Passenger Seat (where fitted)
- 16 Driver/Passenger Door
- 17 Rear Door
- 18 Seat Heater Timer (where fitted)
- 19 Seat Heater Timer (where fitted)
- 20 Security and Locking

D 418 189