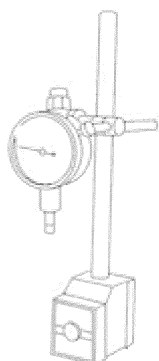


Front Brake Disc Runout Check

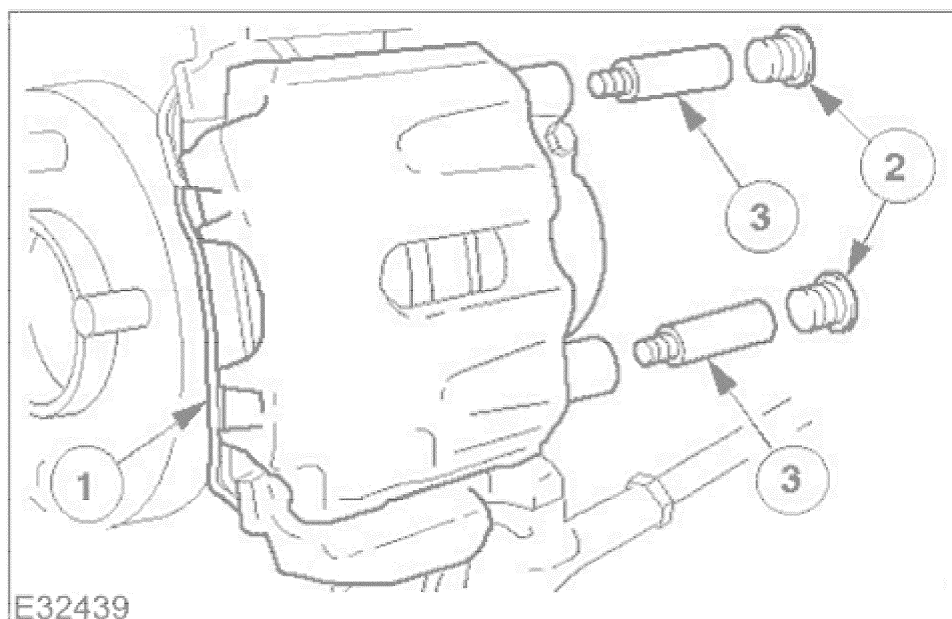
Special Service tools




E36464

Dial Test Indicator Gauge and Stand.

1. Raise front of vehicle and support on stands. Refer to section <<100-02>>.
2. Remove wheel.

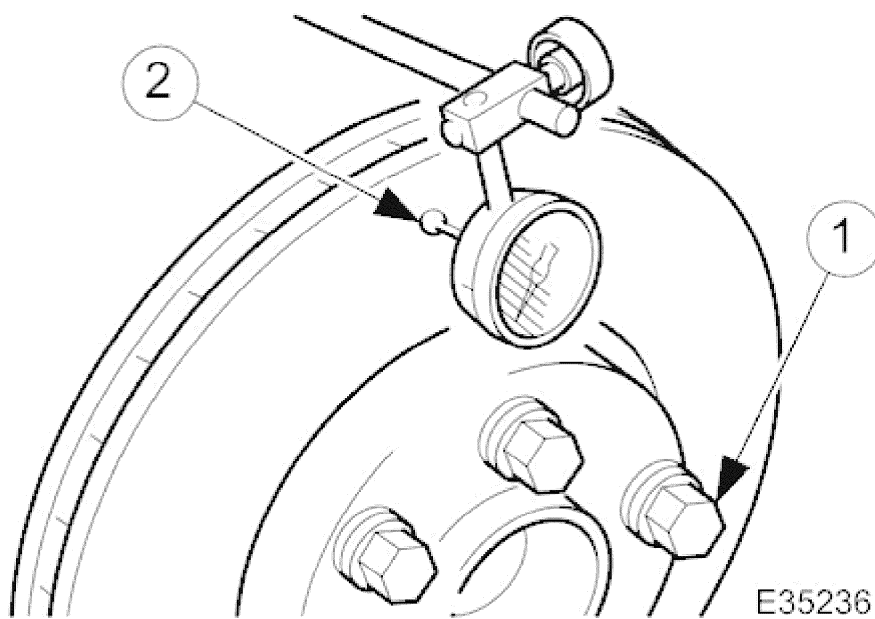


3.  **CAUTION:**
Tie caliper housing aside. Do not allow the caliper housing to hang on the hydraulic hose, as this will damage the hose.

Remove caliper housing from caliper carrier.

1. Remove anti-rattle spring.
 2. Remove dust covers.
 3. Remove guide pins.
- Remove and tie caliper housing aside.

4. Make sure that wheel bearing end-float is correct. Refer to specification section <<204-01>>.

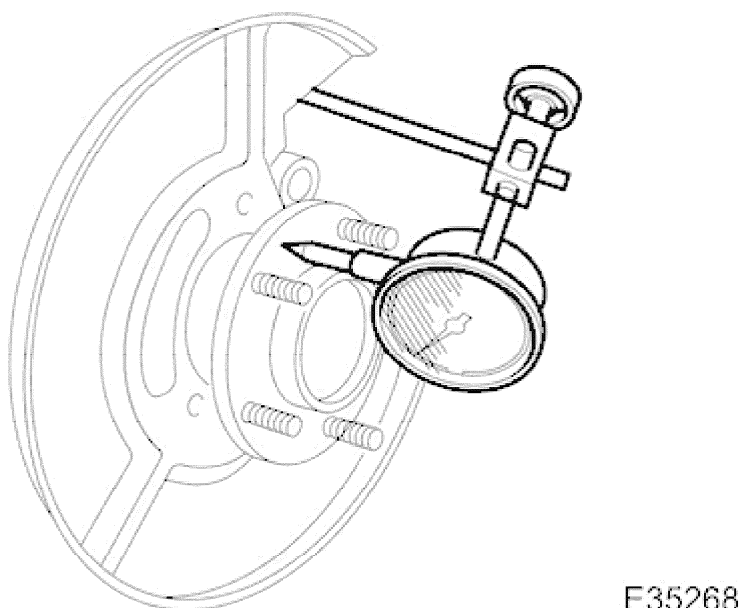


5. Measure brake disc run-out.
 - Install brake disc to hub and secure with all wheel nuts, tighten wheel nuts to 20 Nm in a diagonal sequence.
 - Position the gauge so that the pointer contacts the disc, 10 mm from its outer edge.
 - Slowly rotate the disc one revolution, the disc run-out must not exceed the specification. Refer to Specification Section <<206-03>>.

6. If the brake disc run-out exceeds specification, reposition the brake disc on the hub and repeat the above procedure. Continue repositioning the brake disc until the run-out is within specification.

7. If the brake disc run-out still exceeds specification, check the hub face run-out.

8. Remove brake disc. Refer to procedure 70.10.12.



9. Measure hub face run-out.
 - Position the gauge so that the pointer contacts the hub face.

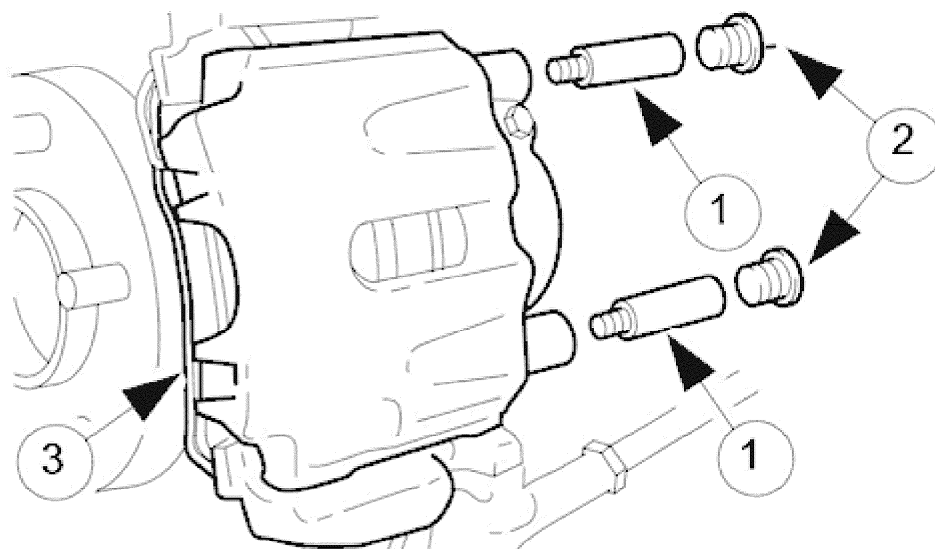
1999 XJ RANGE - Brake System - General Information - 206-00

- Slowly rotate the hub one revolution, the hub run-out must not exceed the specification. Refer to Specification Section <<204-01>>.
- If the hub exceeds the maximum run-out specification replace the hub. Refer to procedure 60.25.01.

10. NOTE:

Make sure the brake disc and hub mating surfaces are clean.

If the hub run-out is within specification replace brake discs. Refer to procedure 70.10.12.



E33775

11. Install caliper housing to caliper carrier.

- Align housing to carrier.
 1. Install and tighten guide pins to 25-30 Nm.
 2. Install dust covers.
 3. Install anti-rattle spring.

12. Install wheel. Refer to procedure <<74.20.05>>.