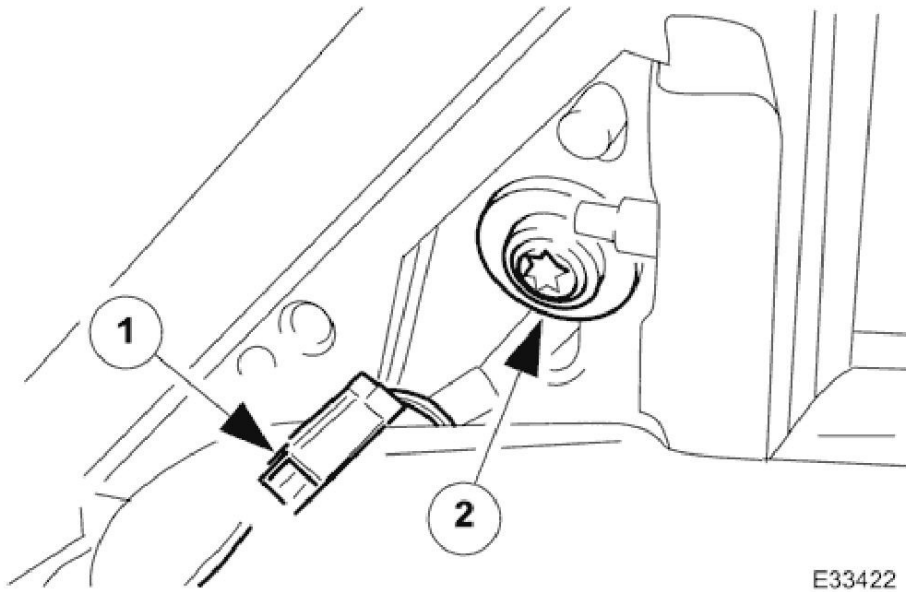


1998 XJ RANGE - Rear View Mirrors - 501-09

Exterior Mirror 76.10.52

Removal

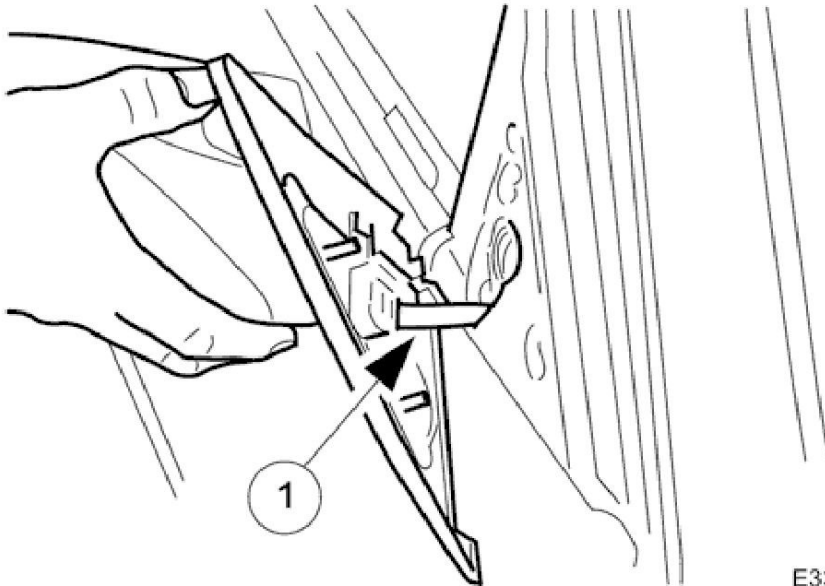
1. Fully open door glass and ease top of door casing away from door Refer to <<76.34.01>>.
2. Remove door frame cheater trim and memory foam for access.



3. Remove mirror assembly from door.
 1. Disconnect mirror harness multiplug.
 2. Supporting mirror, slacken and remove securing screw and remove mirror assembly from door.

Installation

1998 XJ RANGE - Rear View Mirrors - 501-09



1. Fit exterior mirror assembly to door.
 1. Pass harness and multiplug through cheater aperture and position mirror foot on cheater, locating the two dowels correctly and ensuring correct seating on seal.
 - Fit and tighten the mirror assembly securing screw.
 - Connect mirror assembly harness multiplug, position in door and reposition door foam.
2. Fit memory foam and door frame cheater trim.
3. Close door glass.
4. Fit top of door casing. Refer to <<76.34.01>>.