

2003 XJ RANGE - Front Disc Brake - 206-03

Brake Caliper Vehicles With: Brembo Brakes 70.55.02

Special Service tools




E36399


Brake Pedal Hold Tool
JDS 9013

Removal

-  **WARNING:**
BRAKE DUST, IF INHALED CAN DAMAGE YOUR HEALTH. ALWAYS REMOVE BRAKE DUST USING A VACUUM BRUSH. DO NOT USE A COMPRESSED-AIR LINE TO DISPERSE BRAKE DUST INTO THE ATMOSPHERE.

 **CAUTION:**
Replacement of nuts and bolts: Various thread-locking devices are used on nuts and bolts throughout the vehicle. These devices restrict the number of times a nut or bolt can be used. See section <<100-00>> for information.

 **CAUTION:**
Remove brake fluid spillage immediately from paint work, with clean water.

 **CAUTION:**
The Brembo caliper is aligned to the brake disc when it is first installed to the vehicle, therefore, care must be taken not to disturb this alignment. When removing the caliper; remove the bolts that secure the anchor bracket to the vertical link only. **DO NOT** loosen any other caliper bolts.

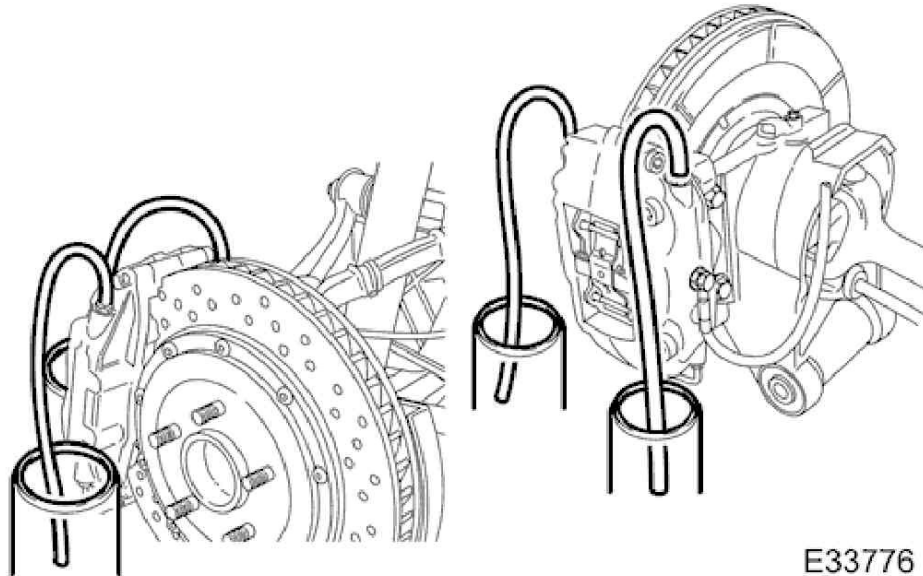
Open engine compartment and fit paint work protection covers to fenders.

2. Raise vehicle on a four-post lift.

3. Raise front of vehicle and support on stands. Refer to Section <<100-02>>.

2003 XJ RANGE - Front Disc Brake - 206-03

4. Remove front wheels. Refer to operation <<74.20.05>>.

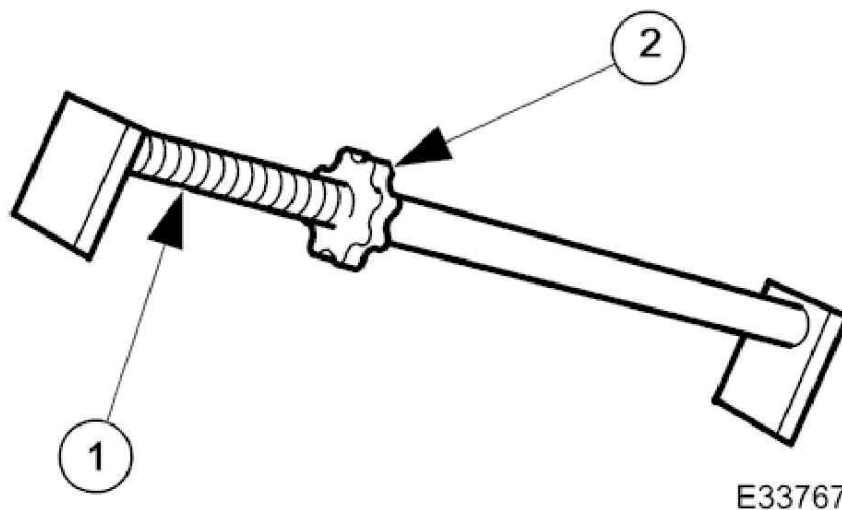


5. **NOTE:**

The following three pictorial procedures must be carried-out to minimize brake fluid loss when disconnecting the brake hose.

Open Left-Hand-Front and Left-Hand-Rear caliper bleed nipples.

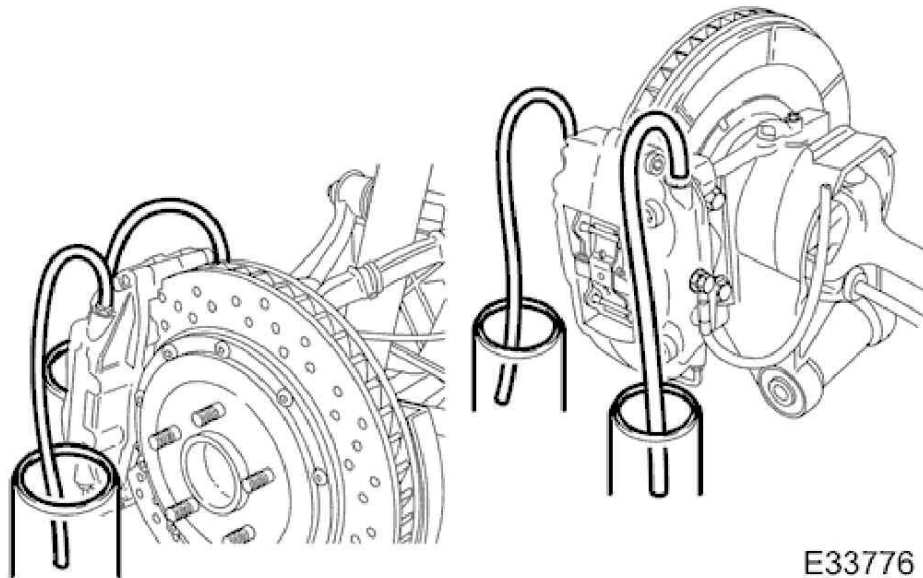
- Connect a bleed tube and container to the calipers.
- Open bleed nipples.



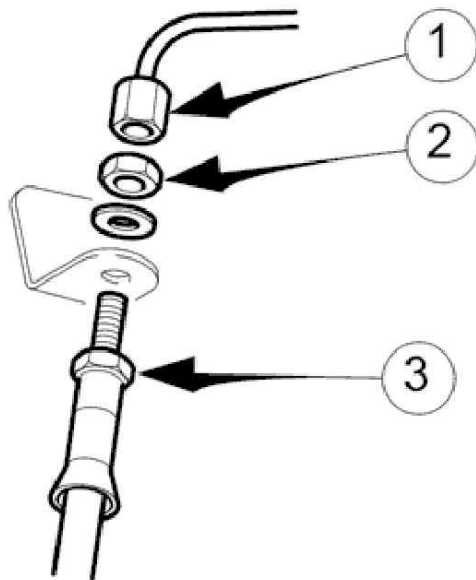
6. Depress and hold down brake pedal at the specified measurement using the special tool.

1. Position tool between brake pedal and seat frame.
2. Turn the tool wheel until the brake pedal is held 60mm down from its released position.

2003 XJ RANGE - Front Disc Brake - 206-03

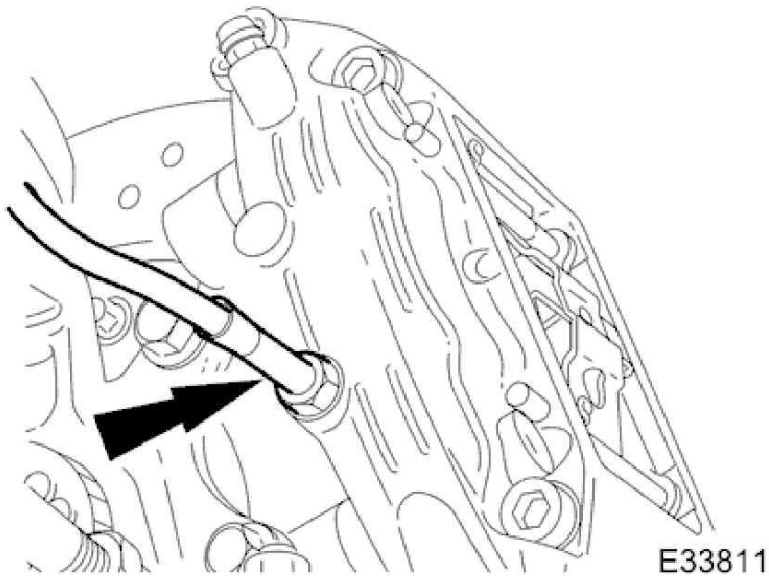


7. Close bleed nipples on both calipers.
- Tighten bleed nipples to 12-16 Nm.
 - Remove bleed tubes and containers.

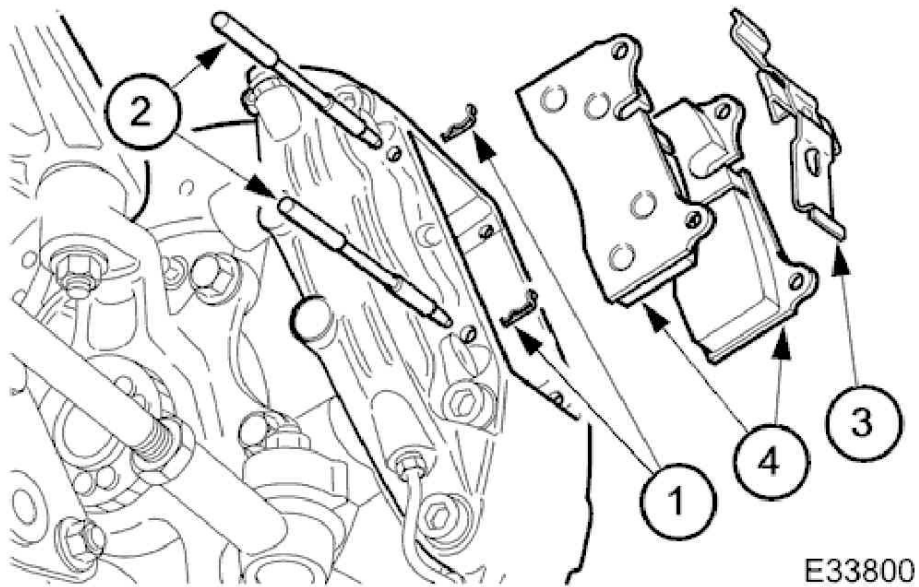


8. Disconnect brake hose from brake tube.
1. Unscrew brake tube union nut.
 2. Remove nut from hose.
 3. Remove hose from bracket.
- Fit plugs to brake tube and hose.

2003 XJ RANGE - Front Disc Brake - 206-03

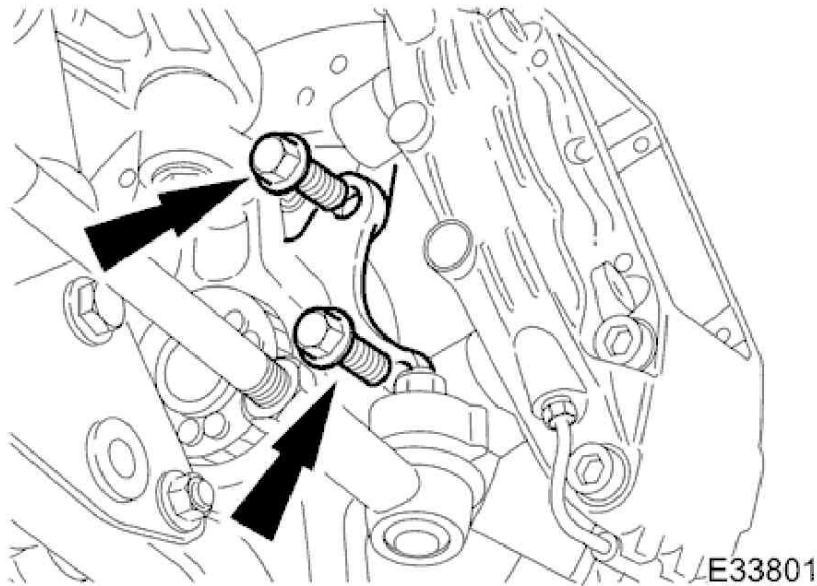


9. Release brake hose from caliper.
- Remove union bolt.
 - Remove and discard sealing washers.
 - Install plugs into caliper and hose.



10. Remove brake pads from caliper.
1. Remove 'R' clips.
 2. Withdraw pins from caliper.
 3. Remove anti-rattle spring.
 4. Remove brake pads.

2003 XJ RANGE - Front Disc Brake - 206-03



11.  **CAUTION:**
Only remove the bolts securing the caliper anchor bracket to the vertical link. Refer to caution above for more information.

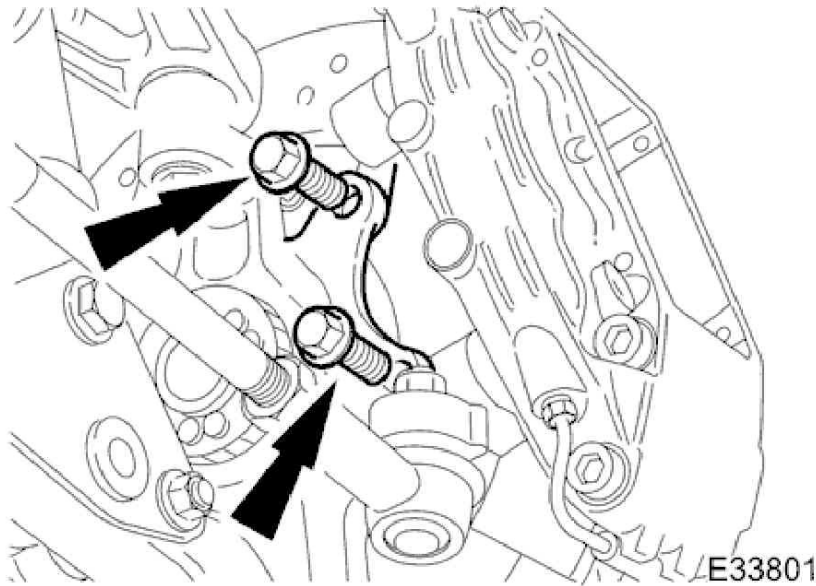
Remove caliper from vertical link.

- Remove bolts.

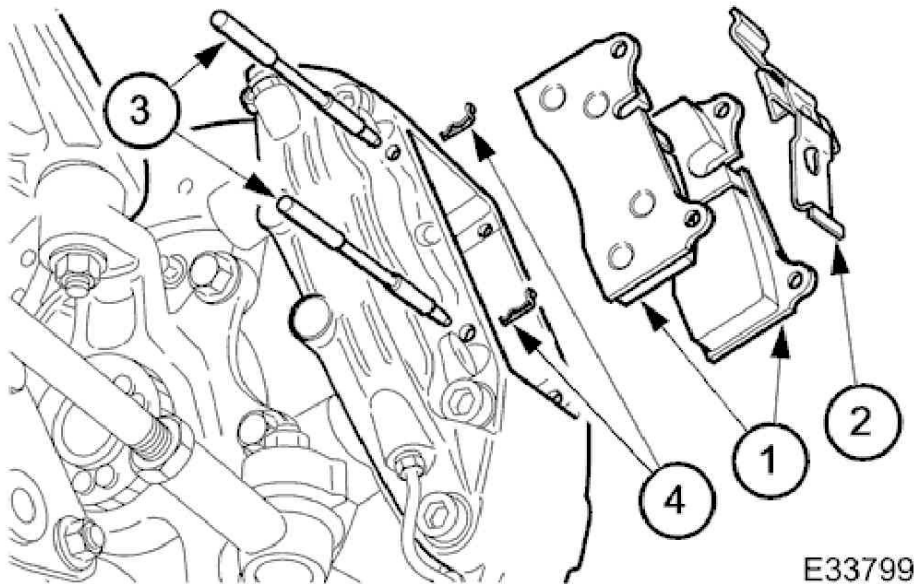
12. Remove brake dust and clean mating surfaces. See Warning above.


Installation

2003 XJ RANGE - Front Disc Brake - 206-03



1. Install caliper to vertical link.
 - Install and tighten bolts to 140 Nm.



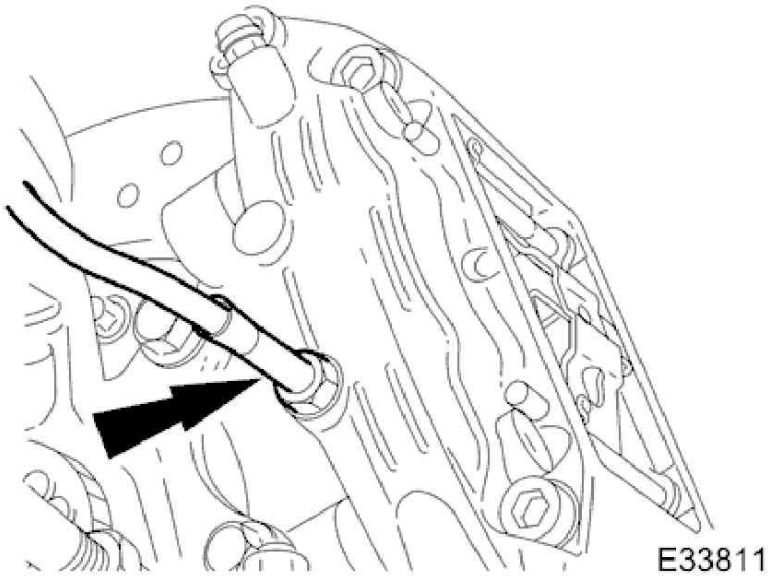
2.  **CAUTION:**
Retracting the caliper piston may cause the fluid reservoir to over-flow. Remove brake fluid spillage immediately from paint work, with clean water.

 **CAUTION:**
Note the condition of pins and 'R' clips and replace if necessary.

2003 XJ RANGE - Front Disc Brake - 206-03

Install brake pads into caliper.

- Slowly retract caliper pistons.
 1. Install pads.
 2. Position anti-rattle spring.
 3. Install pins.
 4. Install 'R' clips.

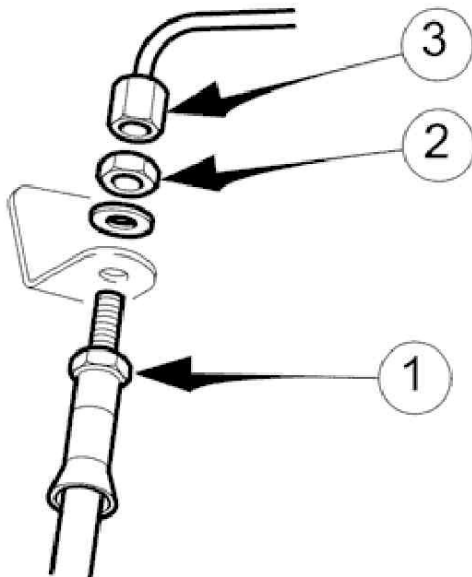


3.  **CAUTION:**
The brake hose must only be installed with the vehicle's body supported and the suspension hanging.

Install brake hose to caliper.

- Remove plugs from caliper and hose.
- Install new sealing washers.
- Install and tighten union bolt to 22-26 Nm.

2003 XJ RANGE - Front Disc Brake - 206-03



E33813

4. NOTE:

Make sure the brake hose does not twist when tightening the hose lock-nut.

Connect brake hose to brake tube.

1. Position hose thread through bracket.
2. Install and tighten locking nut. Refer to Specifications, section <<206-03>>.
3. Install and tighten brake-tube union nut. Refer to Specifications, section <<206-03>>.

5. Remove special tool from brake pedal.

6. Fit wheels. Refer to operation <<74.20.05>>.

7. NOTE:

Make sure the brake hose is routed correctly.

Remove stands and lower vehicle. Refer to section <<100-02>>.

8. Bleed brake hydraulic system. See operation 70.25.06.