


# 1999 XJ RANGE - Front Disc Brake - 206-03

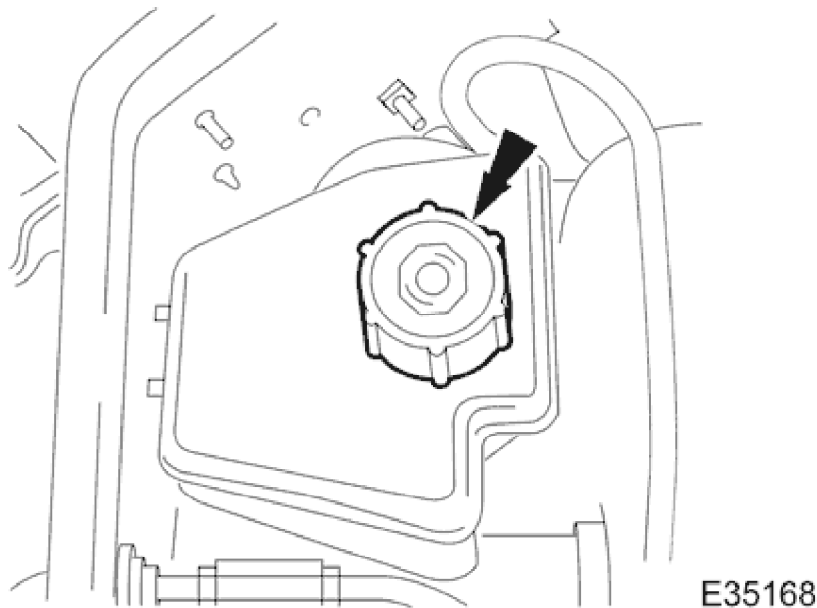
## Brake Disc 70.10.10

Removal  **WARNING:**  
BRAKE DISCS MUST ALWAYS BE REPLACED IN PAIRS.

 **WARNING:**  
BRAKE DUST, IF INHALED CAN DAMAGE YOUR HEALTH. ALWAYS REMOVE BRAKE DUST USING A VACUUM BRUSH. DO NOT USE A COMPRESSED-AIR LINE TO DISPERSE BRAKE DUST INTO THE ATMOSPHERE.

 **CAUTION:**  
Replacement of nuts and bolts: Various thread-locking devices are used on nuts and bolts throughout the vehicle. These devices restrict the number of times a nut or bolt can be used. See section <<100-00>> for information.

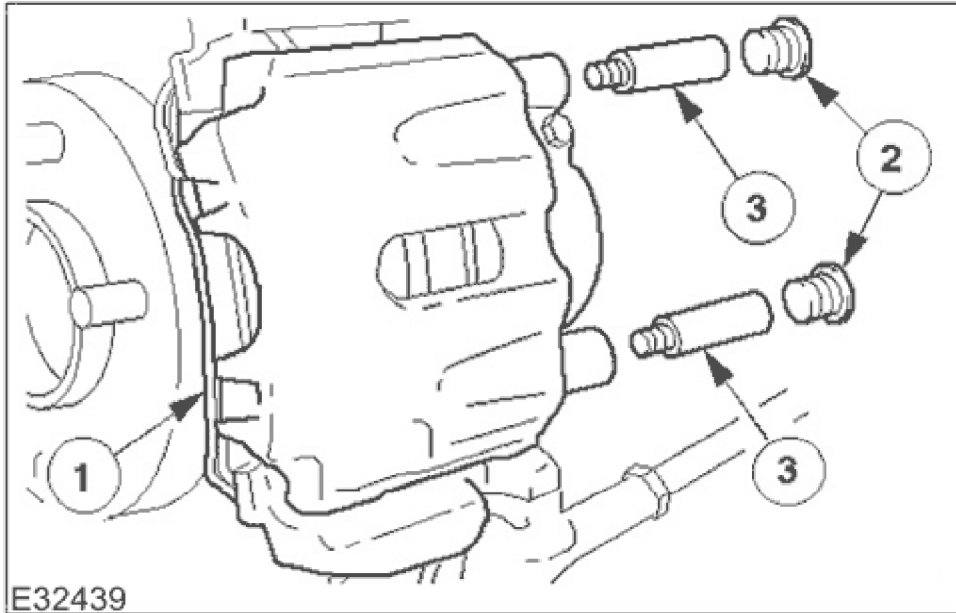
1. Open engine compartment and install paint work protection covers to fenders.
2. Raise front of vehicle and support on stands. See Section <<100-02>>.
3. Remove front wheels. Refer to Section <<204-04>>.




4.  **CAUTION:**  
Remove brake fluid spillage immediately from paint work, with clean water.

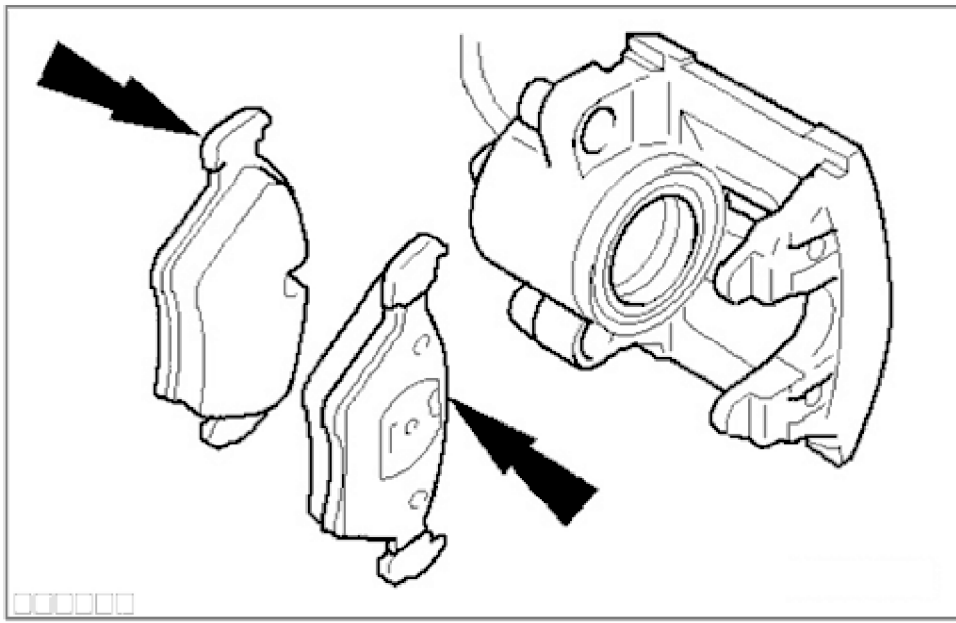
Loosen brake fluid reservoir-cap.

- Position a cloth around the reservoir to collect any fluid spillage.




5.  **CAUTION:**  
Tie caliper housing aside. Do not allow the caliper housing to hang on the hydraulic hose, as this will damage the hose.

- Remove caliper housing from caliper carrier.
- 1. Remove anti-rattle spring.
  - 2. Remove dust covers.
  - 3. Remove guide pins.
  - Remove and tie caliper housing aside.



## 1999 XJ RANGE - Front Disc Brake - 206-03

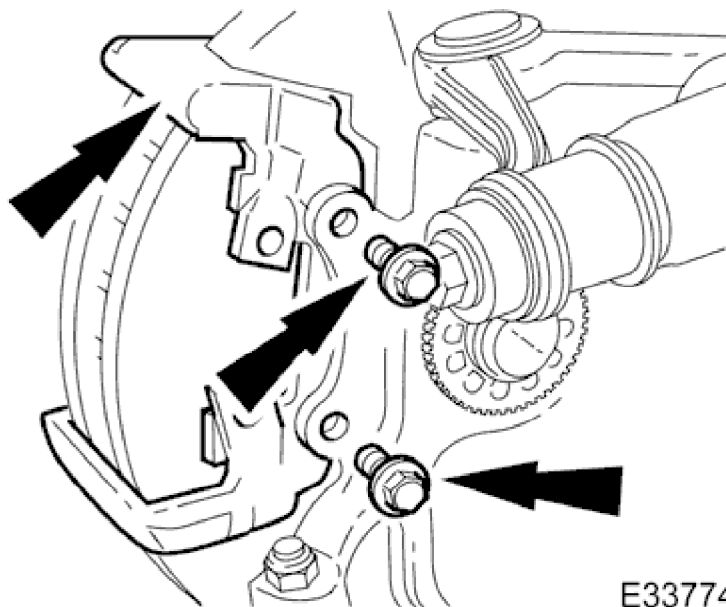
6.  **CAUTION:**  
Always install new brake pads, irrespective of the condition of the original pads, when renewing brake discs.

**NOTE:**

The inner brake pad is fitted with a clip which secures the pad into the caliper piston.

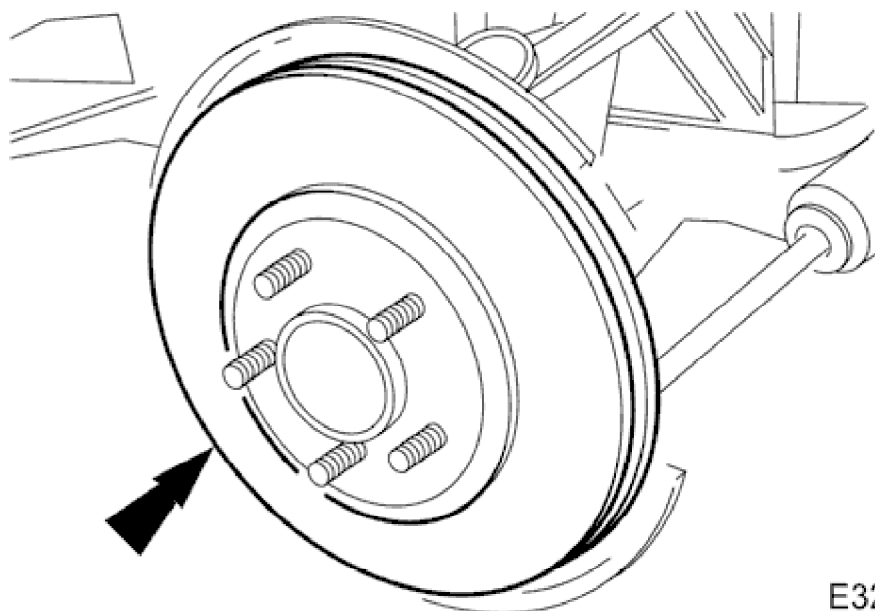
Remove brake pads from caliper housing.

- Discard brake pads.



7. Remove brake carrier from vertical link.

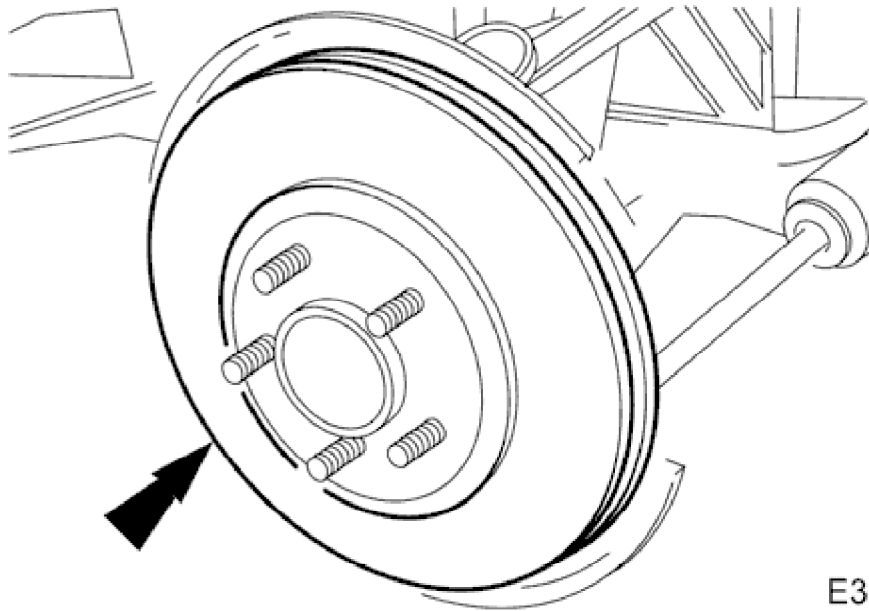
- Remove bolts.
- Remove carrier.



## 1999 XJ RANGE - Front Disc Brake - 206-03

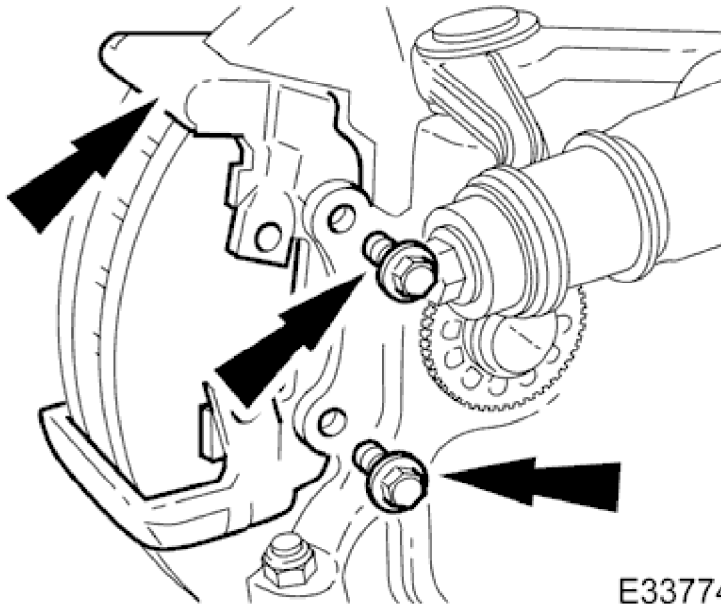
8. Withdraw brake disc from hub.
9. Repeat above procedure to remove opposite side brake disc.
10. Remove brake dust from calipers and clean mating surfaces, see WARNING above.
11. Thoroughly clean the area of the hubs where they mate against the brake discs.

### Installation

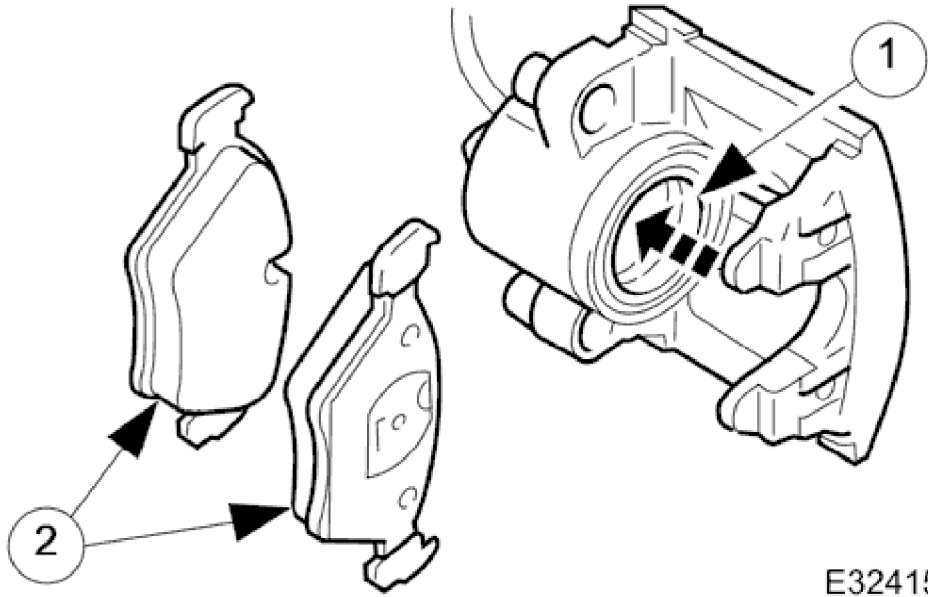



E32414


1. Install brake disc to hub.
2. Check brake disc run-out. Refer to General Procedures section <<206-03>>.



3. Install caliper carrier to vertical link.
  - Align carrier to vertical link .
  - Install and tighten bolts to 120-160 Nm.



4.  **CAUTION:**  
Always install new brake pads, irrespective of the condition of the original pads, when renewing brake discs.

-  **CAUTION:**  
Retracting the caliper piston may cause the fluid reservoir to over-flow. Remove brake fluid spillage immediately from paint work, with clean water.

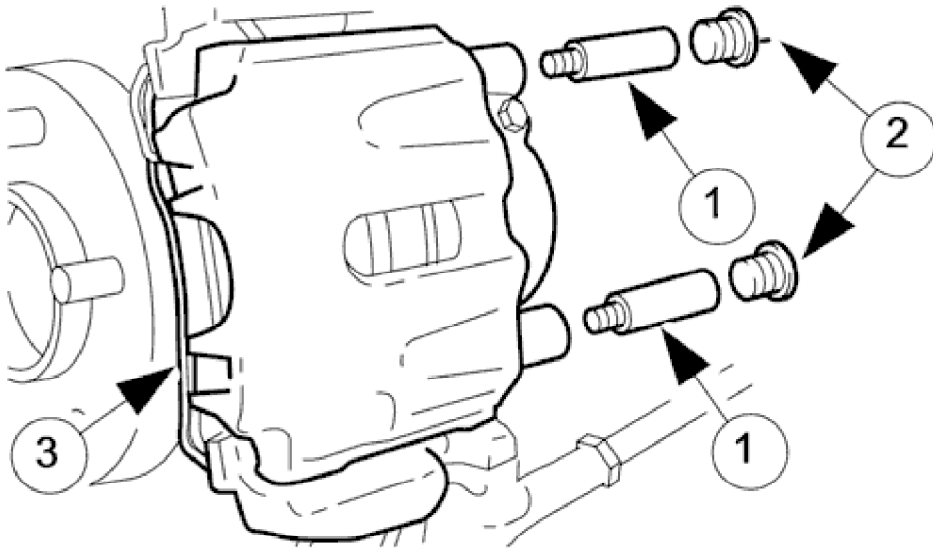
## 1999 XJ RANGE - Front Disc Brake - 206-03

### NOTE:

Clean caliper piston to pad mating surface.

Install brake pads into caliper housing.

1. Slowly retract piston into caliper housing.
2. Remove paper backing from pads to reveal adhesive shim. Install brake pads, insert clip located on back of inner pad into caliper piston.



E33775

5. Install caliper housing to caliper carrier.

- Align housing to carrier.

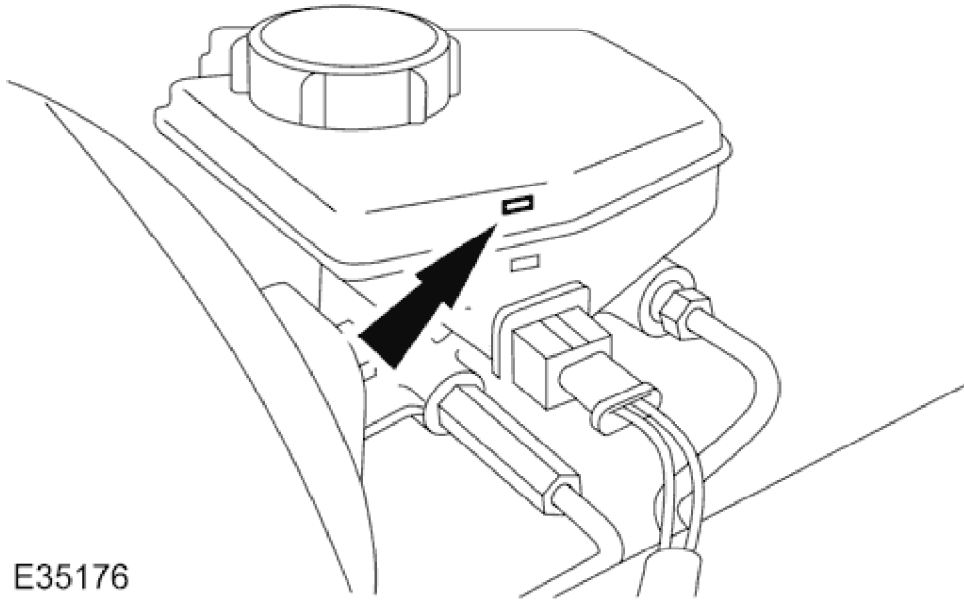
1. Install and tighten guide pins to 25-30 Nm.
2. Install dust covers.
3. Install anti-rattle spring.

6. Repeat above procedure to install opposite side brake disc.


7. Fit wheels. Refer to operation <<74.20.05>>.

8. Remove stands and lower vehicle. Refer to section <<100-02>>.

## 1999 XJ RANGE - Front Disc Brake - 206-03



E35176

9.  **CAUTION:**  
**Remove brake fluid spillage immediately from paint work, with clean water.**

Check brake fluid level.

- Check brake fluid level is at the maximum mark.
  - Remove cloth.
  - Fit cap.
10. Remove paint work protection covers, and close engine compartment.
11. Start the engine and repeatedly press the brake pedal until brake pressure is evident.